



US00D845191S

(12) **United States Design Patent** (10) **Patent No.:** **US D845,191 S**
Ito et al. (45) **Date of Patent:** **** Apr. 9, 2019**

(54) **BUMPER FOR A TRUCK VEHICLE**

(56) **References Cited**

(71) Applicant: **International Truck Intellectual Property Company, LLC**, Lisle, IL (US)

(72) Inventors: **Chris Isamu Ito**, Sugar Grove, IL (US); **Glen Joel Durmisevich**, Rochester Hills, MI (US); **William D. Miller**, Macomb Township, MI (US); **David James Olsen**, Aurora, IL (US); **James L. Smith, Jr.**, Batavia, IL (US); **James C. Box**, Leesburg, FL (US); **Curtis L. Wilson**, Melbourne Beach, FL (US)

(73) Assignee: **International Truck Intellectual Property Company, LLC**, Lisle, IL (US)

U.S. PATENT DOCUMENTS

D679,226 S *	4/2013	Schmeckpeper	D12/169
D708,996 S *	7/2014	Ito	D12/169
D710,268 S *	8/2014	Brzustowicz	D12/169
D712,801 S *	9/2014	Kobayashi	D12/169
D737,739 S *	9/2015	Hanson	D12/169
D786,749 S *	5/2017	Oohashi	D12/169
D798,204 S *	9/2017	Mainville	D12/169
D798,780 S *	10/2017	Villamizar	D12/169
D809,439 S *	2/2018	Ito	D12/169
D818,897 S *	5/2018	Olsen	D12/169

* cited by examiner

Primary Examiner — Melody N Brown

(74) *Attorney, Agent, or Firm* — Jeffrey P. Calfa; Mark C. Bach

(**) Term: **15 Years**

(21) Appl. No.: **29/629,931**

(22) Filed: **Dec. 18, 2017**

(51) **LOC (11) Cl.** **12-16**

(52) **U.S. Cl.**
USPC **D12/169**

(58) **Field of Classification Search**
USPC D12/169; 293/102, 113, 115, 117, 120;
296/180.1, 180.2
CPC B60R 19/02; B60R 19/04; B62D 25/08
See application file for complete search history.

(57) **CLAIM**

The ornamental design for a bumper for a truck vehicle, as shown and described.

DESCRIPTION

FIG. 1 is a perspective view of a bumper for a truck vehicle showing our new design;
FIG. 2 is a left side view thereof;
FIG. 3 is a right side view thereof;
FIG. 4 is a front view thereof;
FIG. 5 is a rear view thereof;
FIG. 6 is a bottom view thereof; and,
FIG. 7 is a top plan view thereof.

1 Claim, 3 Drawing Sheets

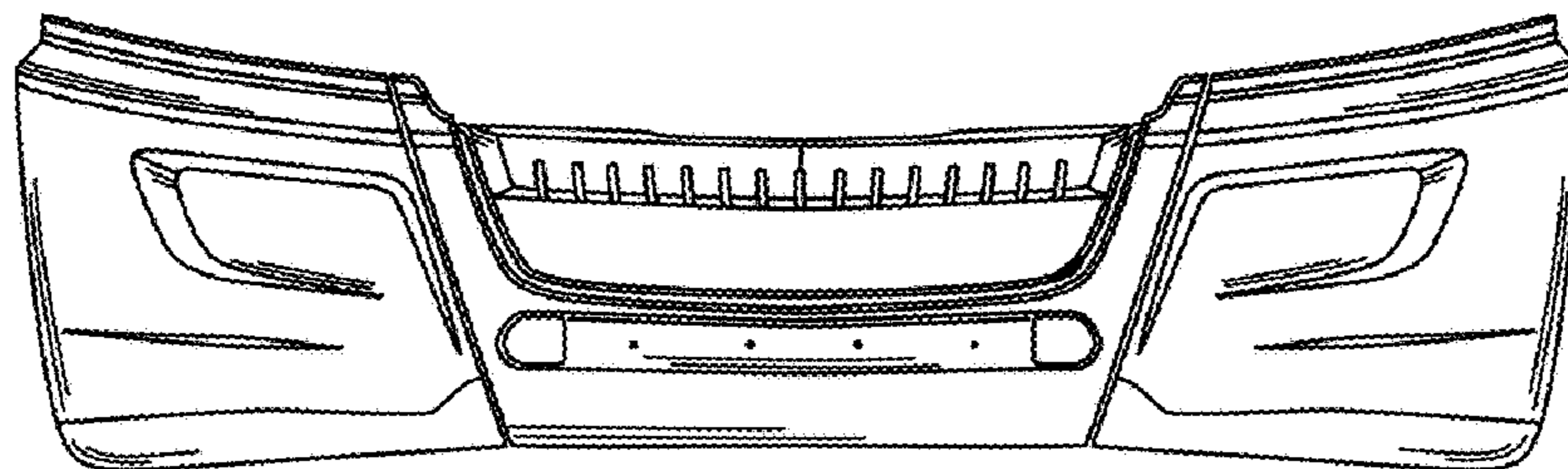


FIG. 1

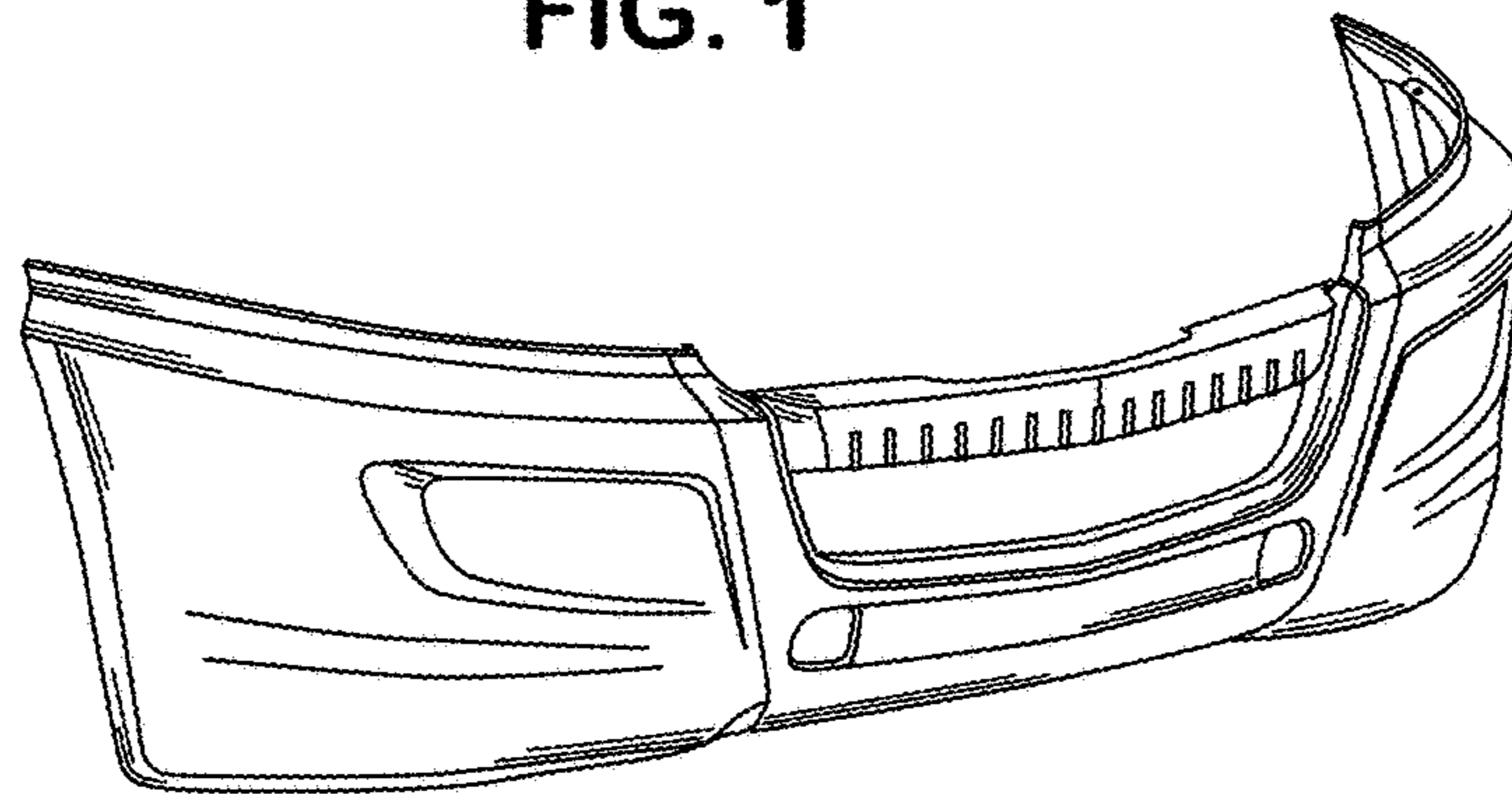


FIG. 2

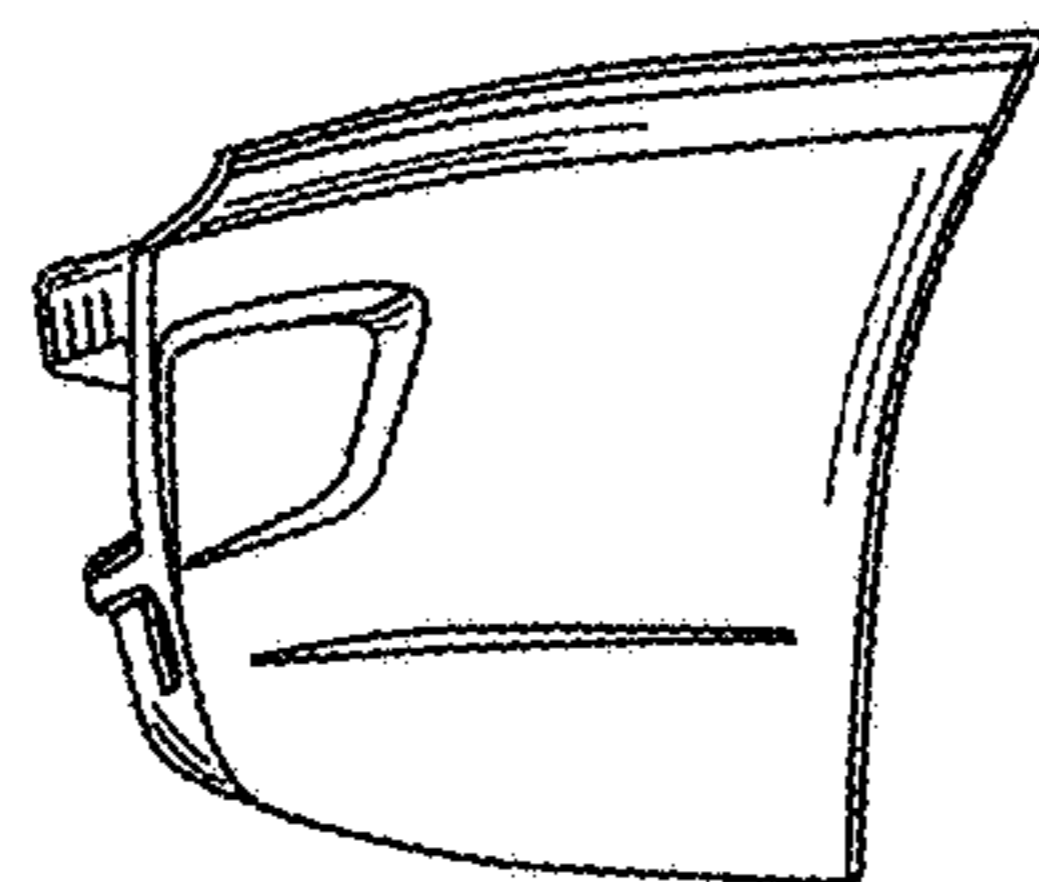


FIG. 3

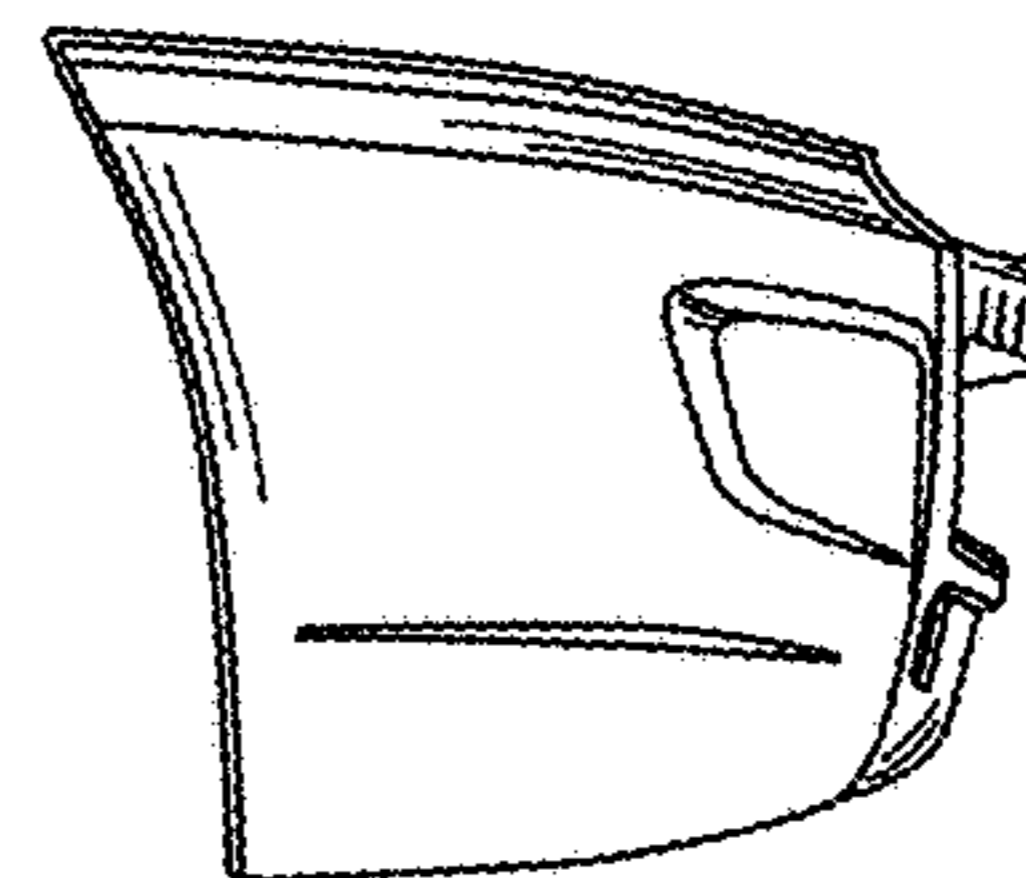


FIG. 4

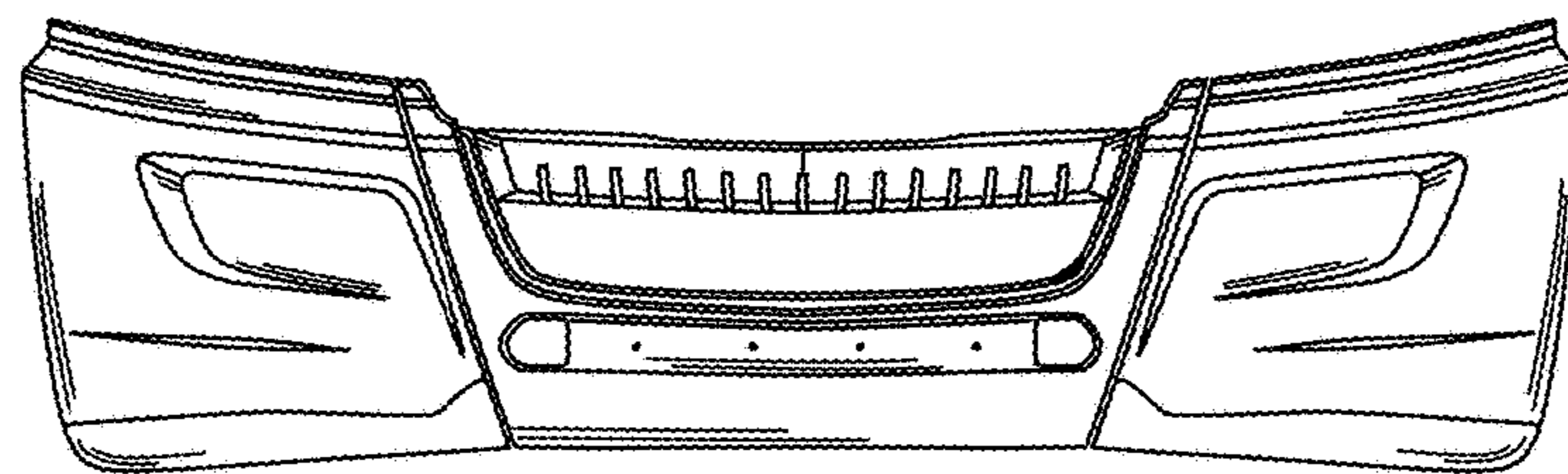


FIG. 5

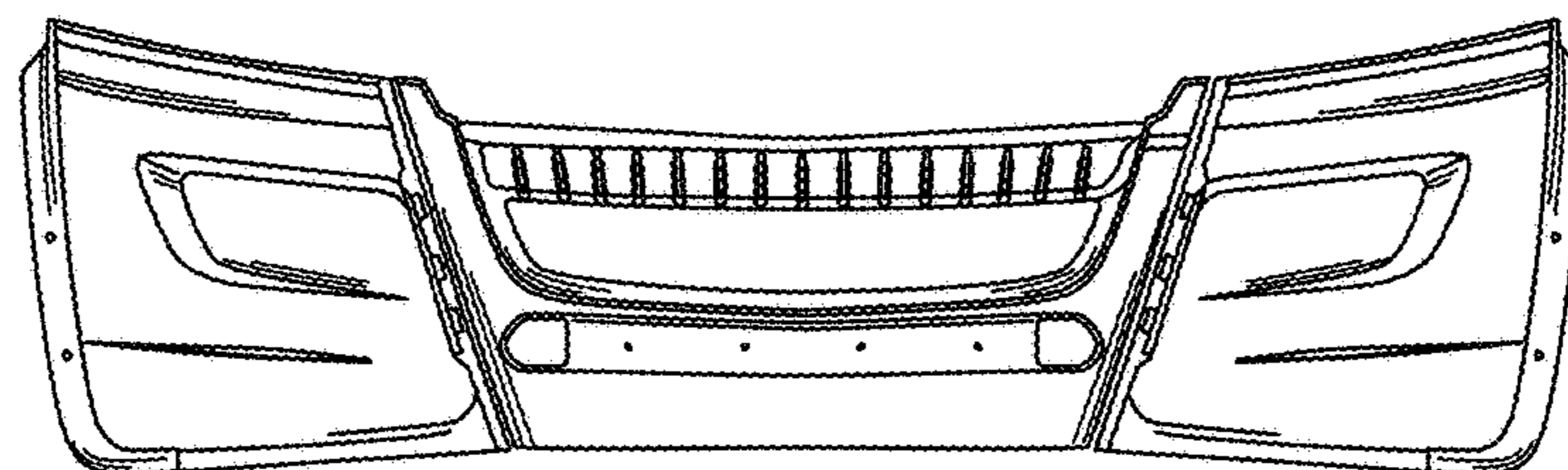


FIG. 6

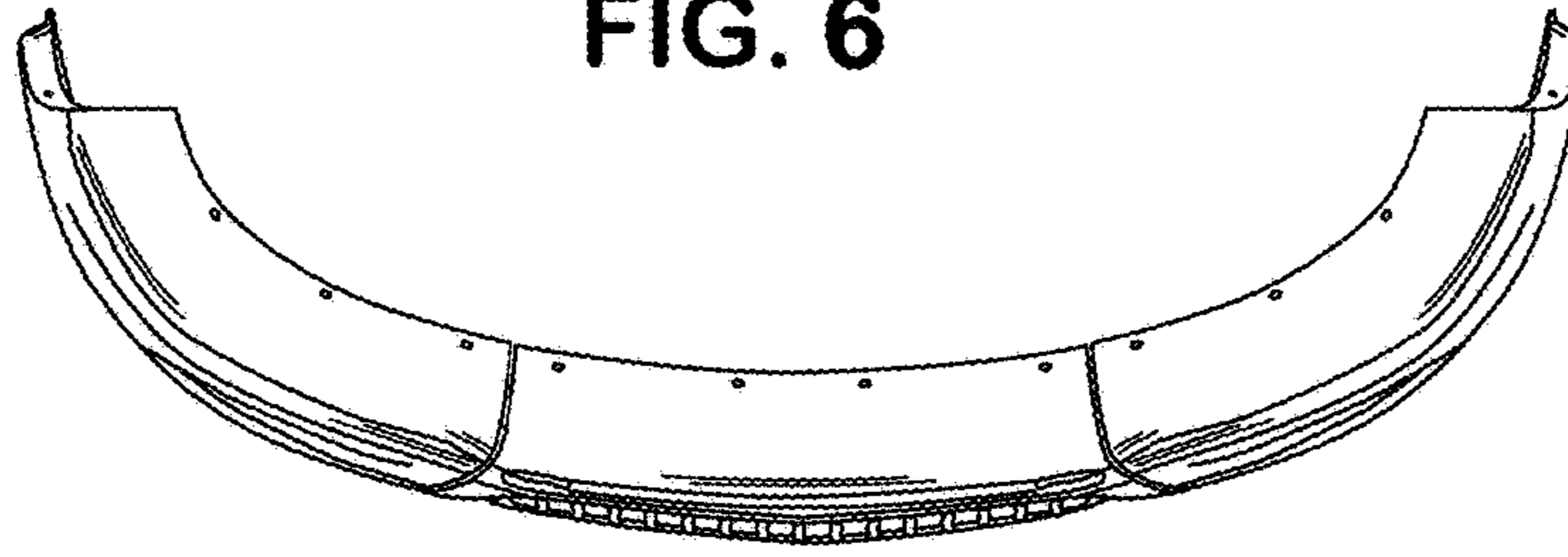


FIG. 7

