



US00D845185S

(12) **United States Design Patent** (10) **Patent No.:** **US D845,185 S**
Behmer et al. (45) **Date of Patent:** **** Apr. 9, 2019**

(54) **VEHICLE FRONT LOWER GRILLE**

FOREIGN PATENT DOCUMENTS

(71) Applicant: **Ford Global Technologies, LLC**,
Dearborn, MI (US)

CN 302741846 * 2/2014

(72) Inventors: **Darrell P. Behmer**, Novi, MI (US);
Melvin Betancourt, Shelby Township,
MI (US); **Christopher Stevens**,
Dearborn, MI (US); **Craig S. Metros**,
Bloomfield, MI (US)

OTHER PUBLICATIONS

<https://www.youtube.com/watch?v=7s-64GmXB2E> Posted Jan. 14,
2018 (Year: 2018).*
<https://www.youtube.com/watch?v=wAPyIXA90iQ> Posted Jan. 14,
2018 (Year: 2018).*

(73) Assignee: **Ford Global Technologies, LLC**,
Dearborn, MI (US)

* cited by examiner

(**) Term: **15 Years**

Primary Examiner — Leanne Was-Englehart

(74) *Attorney, Agent, or Firm* — Vichit Chea

(21) Appl. No.: **29/627,554**

(57) **CLAIM**

(22) Filed: **Nov. 28, 2017**

The ornamental design for a vehicle front lower grille, as
shown and described.

(51) **LOC (11) Cl.** **12-16**

(52) **U.S. Cl.**
USPC **D12/163**

(58) **Field of Classification Search**
USPC D12/86, 90–92, 98, 163, 169, 196, 216
CPC B62D 25/08; B62B 9/16; B60K 11/08;
B60R 19/50; B60R 19/52
See application file for complete search history.

DESCRIPTION

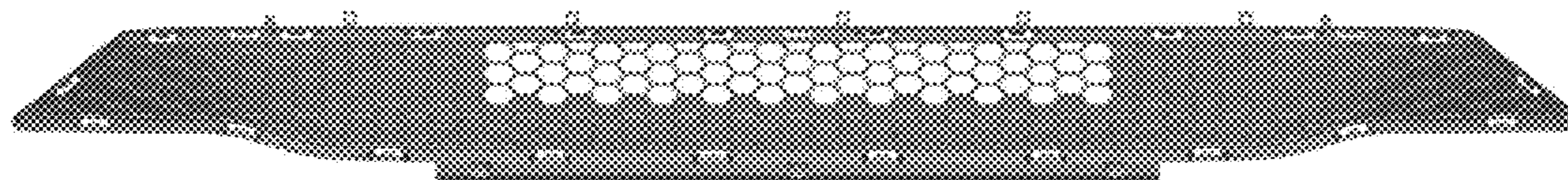
(56) **References Cited**

U.S. PATENT DOCUMENTS

D700,543 S * 3/2014 Dockeray D12/91
D786,743 S * 5/2017 Smith D12/163
D819,512 S * 6/2018 Behmer D12/163
D821,922 S * 7/2018 Behmer D12/92
D823,166 S * 7/2018 Gueler D12/91
D827,513 S * 9/2018 Gueler D12/163

FIG. 1 is a front elevational view of a vehicle front lower
grille, showing our new design;
FIG. 2 is a rear elevational view thereof;
FIG. 3 is a left side elevational view thereof;
FIG. 4 is a right side elevational view thereof;
FIG. 5 is a top plan view thereof;
FIG. 6 is a bottom plan view thereof;
FIG. 7 is a top, front, and left side perspective view thereof;
FIG. 8 is a bottom, front, and left side perspective view
thereof; and,
FIG. 9 is a top, rear, and left side perspective view thereof.

1 Claim, 9 Drawing Sheets



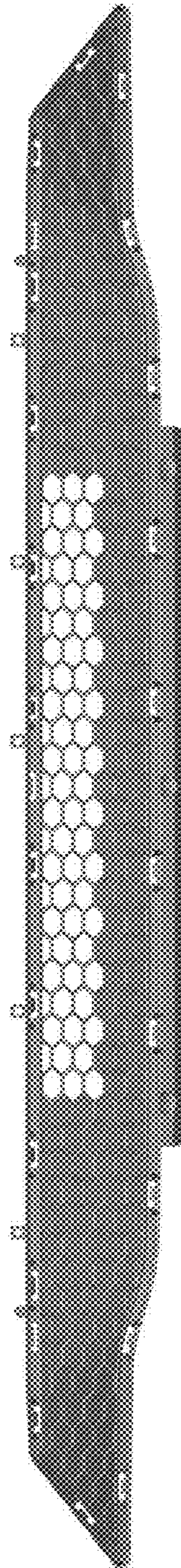


Fig. 1

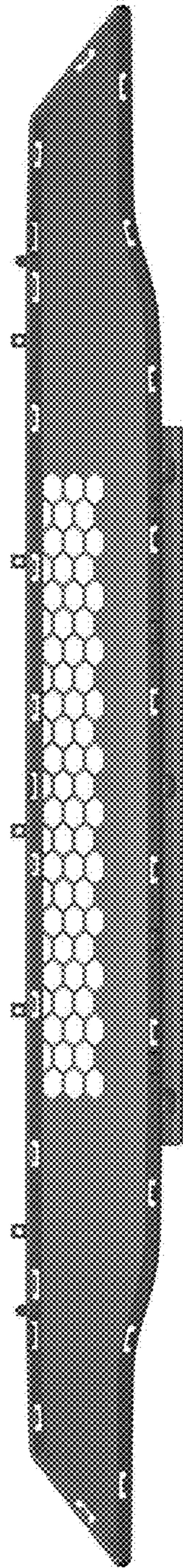


Fig. 2

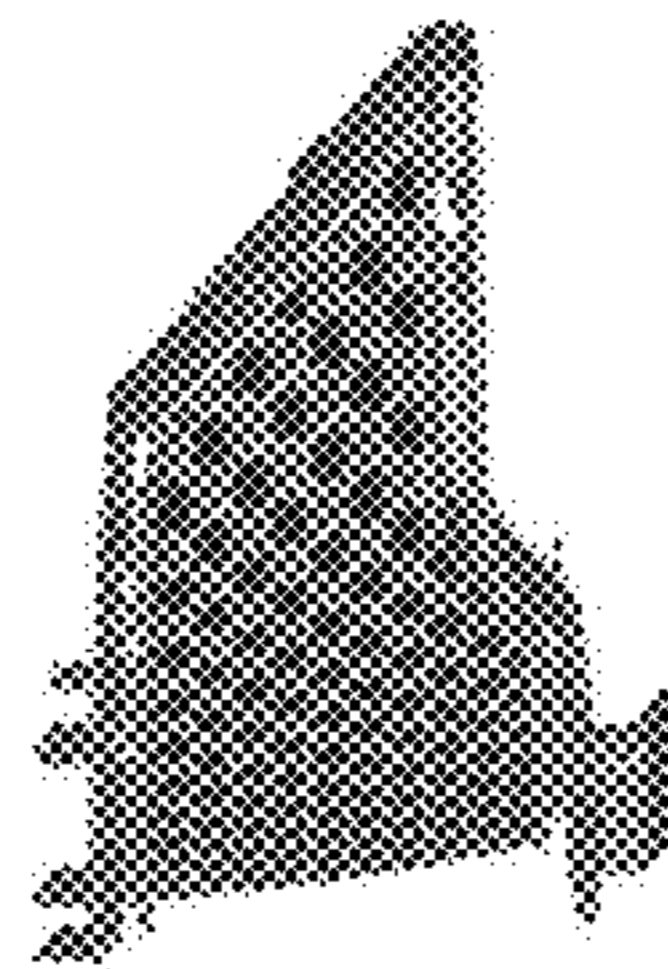


Fig. 3

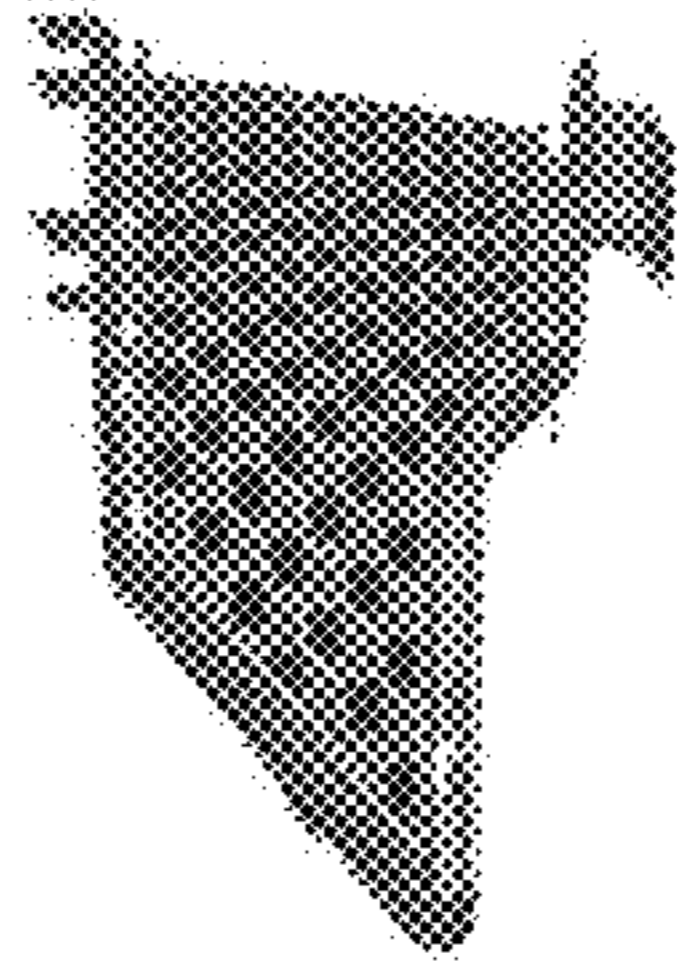


Fig. 4

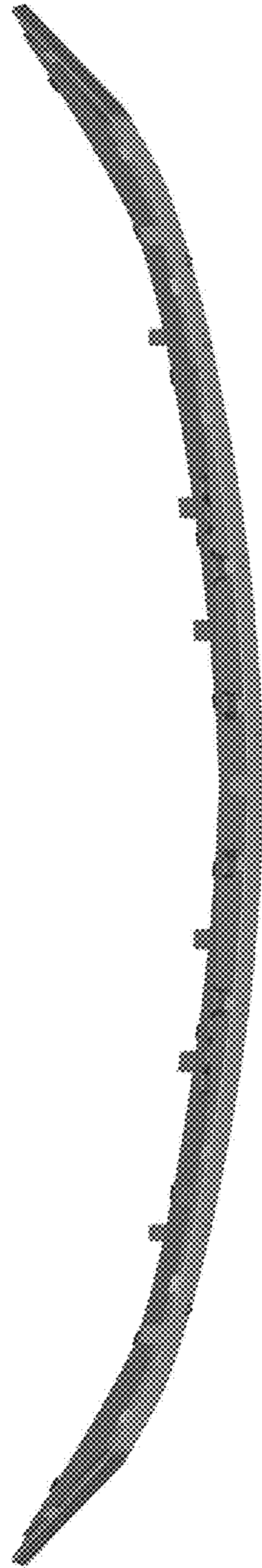
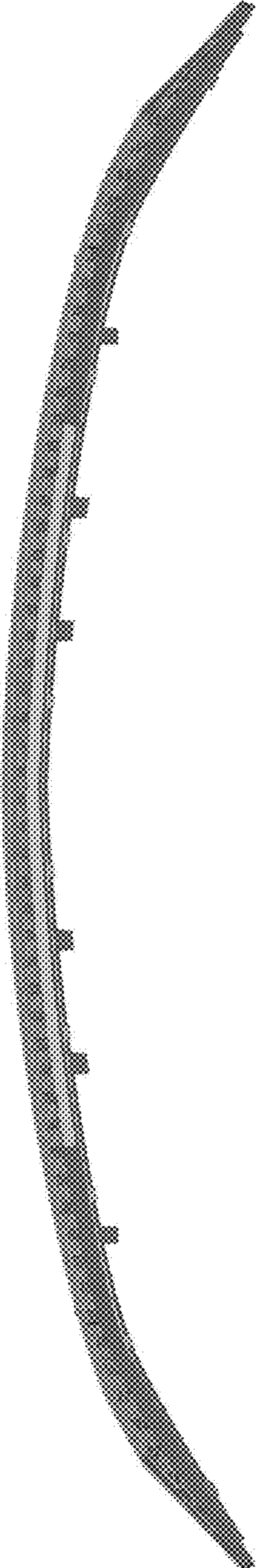


Fig. 5

Fig. 6



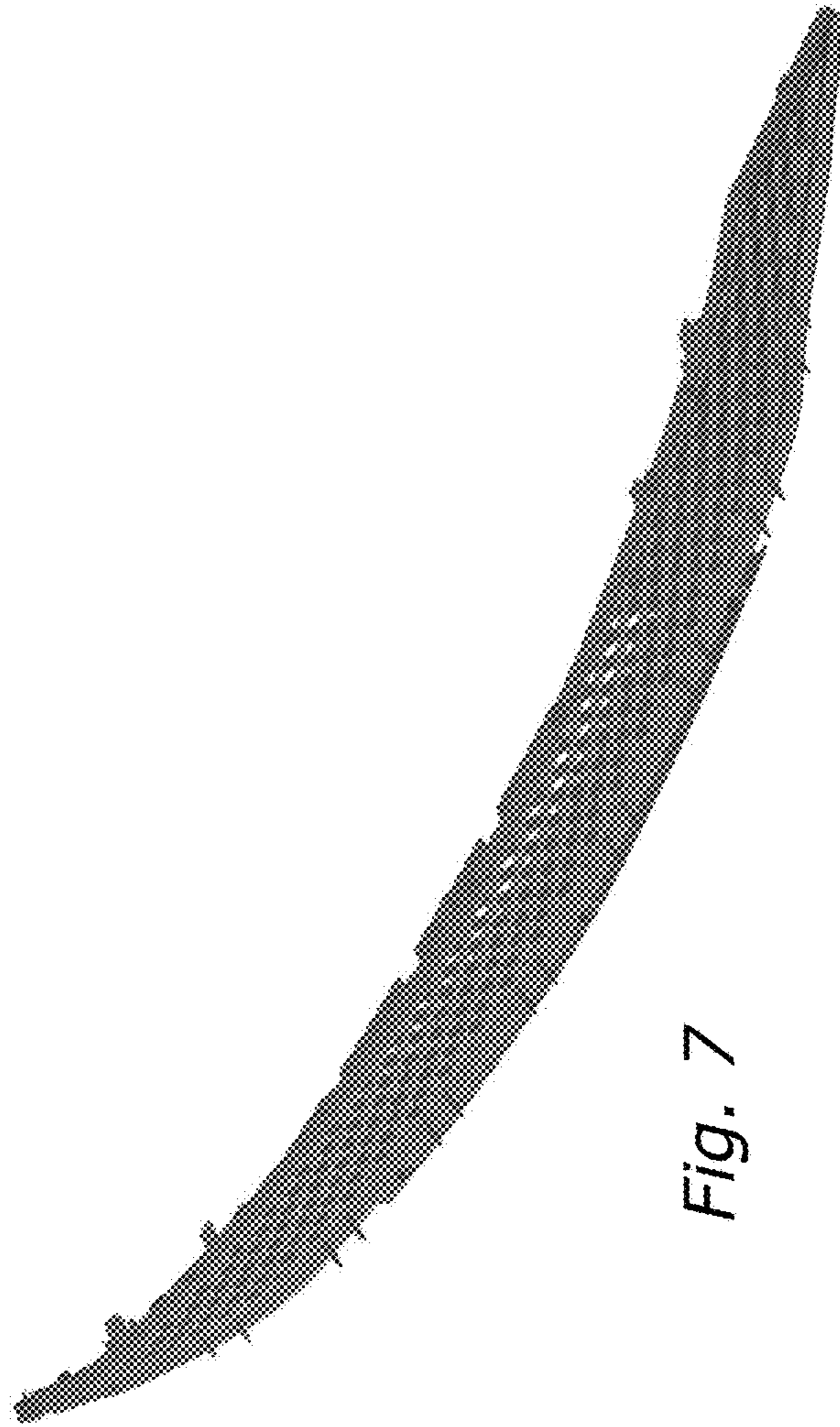


Fig. 7

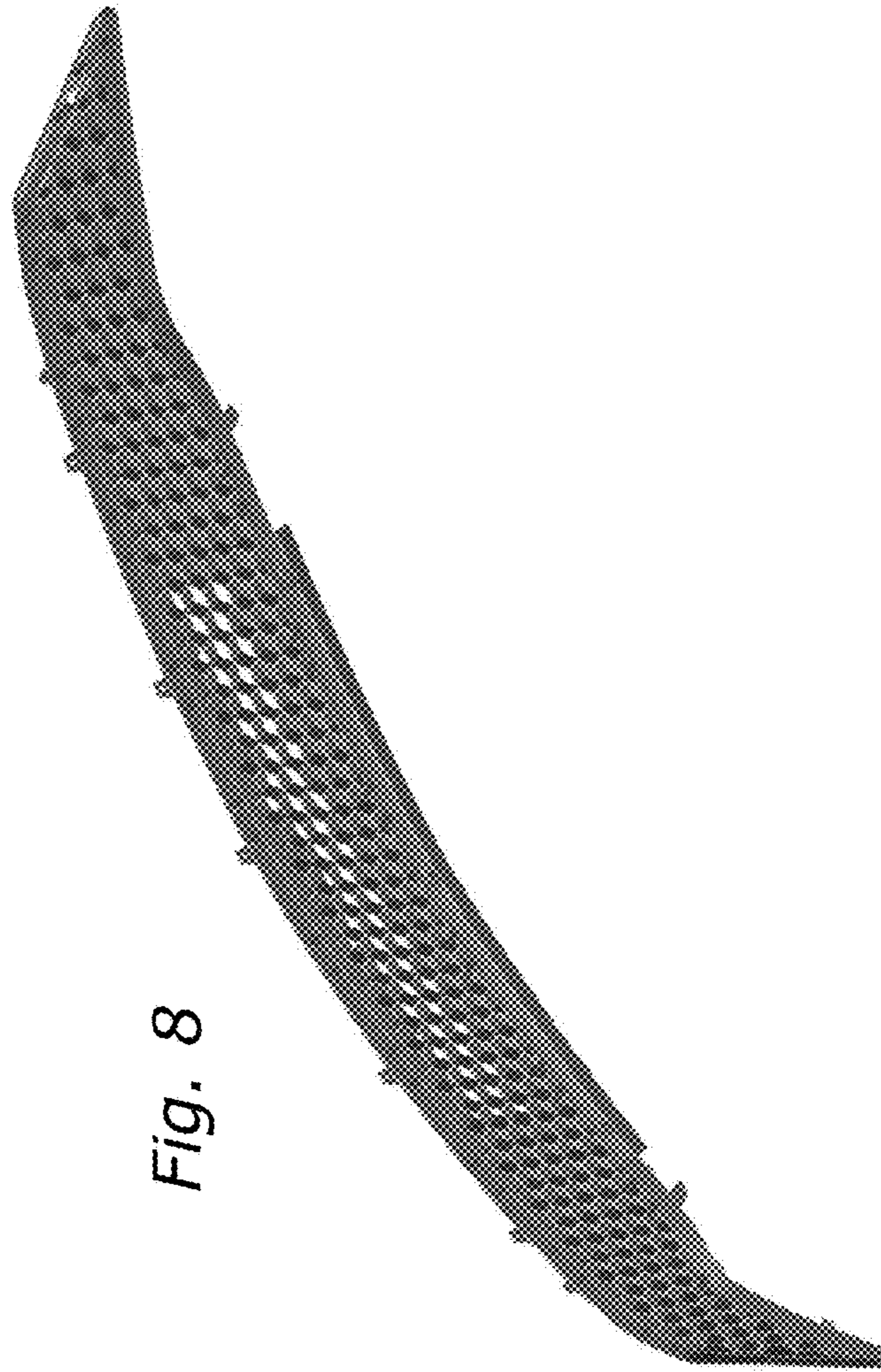


Fig. 8

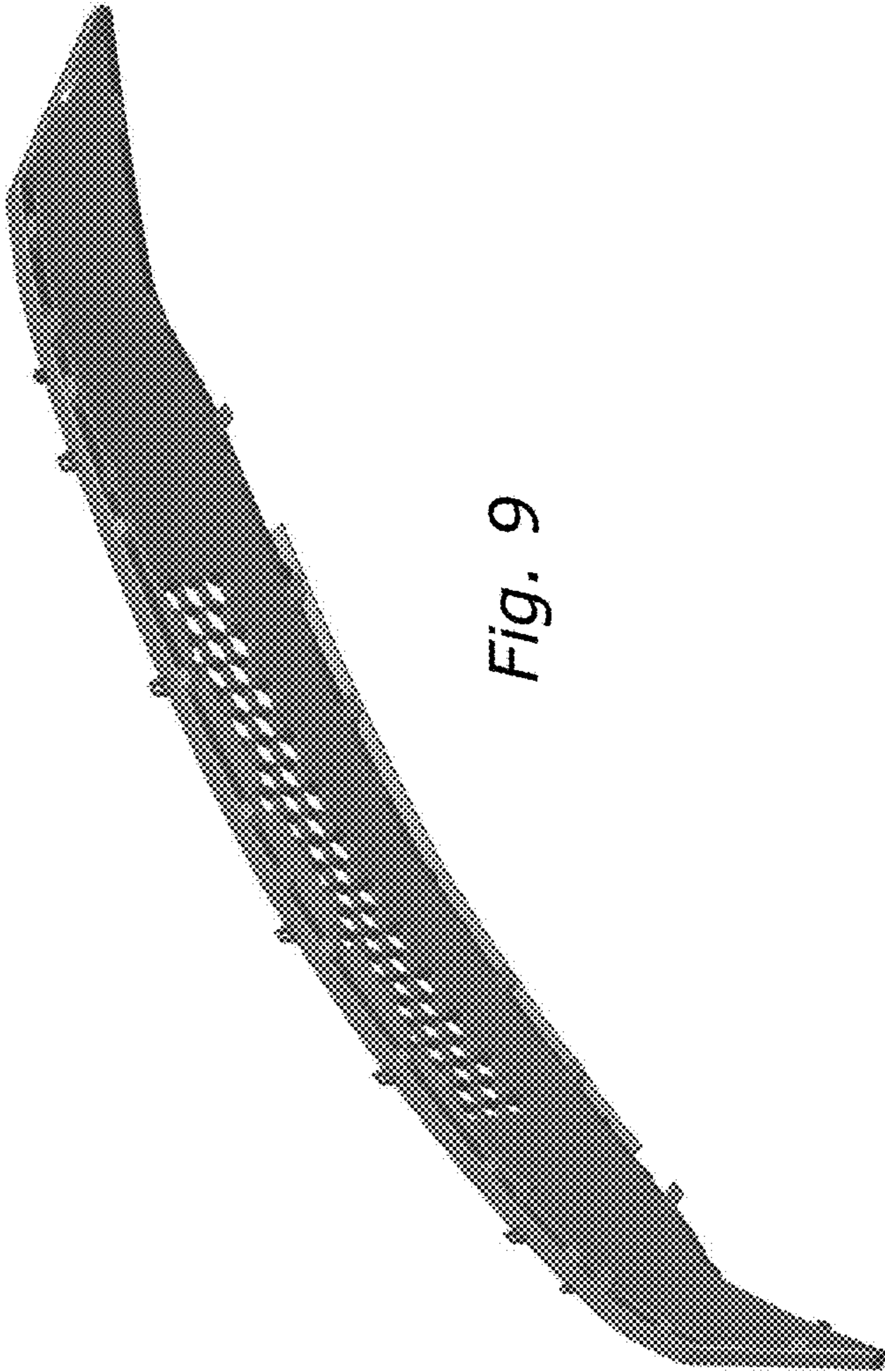


Fig. 9