



US00D845182S

(12) **United States Design Patent**
Sagawa et al.

(10) **Patent No.:** **US D845,182 S**
(45) **Date of Patent:** **** Apr. 9, 2019**

(54) **AXLE CASE FOR WORKING VEHICLE**

(71) Applicant: **ISEKI & CO., LTD.**, Matsuyama-Shi,
Ehime-Ken (JP)

(72) Inventors: **Noboru Sagawa**, Ehime-Ken (JP);
Shingo Fujioka, Ehime-Ken (JP)

(73) Assignee: **ISEKI & CO., LTD.**, Matsuyama-Shi,
Ehime-Ken (JP)

(**) Term: **15 Years**

(21) Appl. No.: **29/588,210**

(22) Filed: **Dec. 19, 2016**

(30) **Foreign Application Priority Data**

Jun. 27, 2016 (JP) 2016-013569
Jun. 27, 2016 (JP) 2016-013570

(51) **LOC (11) Cl.** **12-16**

(52) **U.S. Cl.**
USPC **D12/160**

(58) **Field of Classification Search**
USPC D12/159
CPC B60G 11/22; B60G 2204/125; B60G
2202/143; B60G 2202/142; B60G
2204/41; B60G 2202/14; B60G 2206/73;
B60W 10/20; B60W 2540/18; B62D
1/046; B62D 1/185; B62D 1/195; B62D
1/187

See application file for complete search history.

(56) **References Cited**

U.S. PATENT DOCUMENTS

4,689,848 A * 9/1987 Kotzin B60B 33/00
16/31 R
5,568,671 A * 10/1996 Harris B60B 33/0002
16/18 R

D419,120 S * 1/2000 Khaladj D12/160
D424,150 S * 5/2000 Post D21/771
8,365,354 B1 * 2/2013 Fan B60B 33/04
16/18 R
8,499,413 B1 * 8/2013 Tsai B60B 33/02
16/35 R
8,578,984 B2 * 11/2013 Hannah B60B 23/10
152/176
8,661,615 B1 * 3/2014 Li B60B 33/0002
16/18 R
8,789,662 B2 * 7/2014 Childs A61G 7/0528
16/35 R
8,850,657 B1 * 10/2014 Yang B60B 33/0042
16/18 R
8,973,217 B2 * 3/2015 Weichbrodt B60B 33/0042
16/35 R
2008/0141487 A1 * 6/2008 Berger B60B 33/001
16/18 CG

(Continued)

Primary Examiner — Michael A. Pratt

(74) *Attorney, Agent, or Firm* — Bacon & Thomas, PLLC

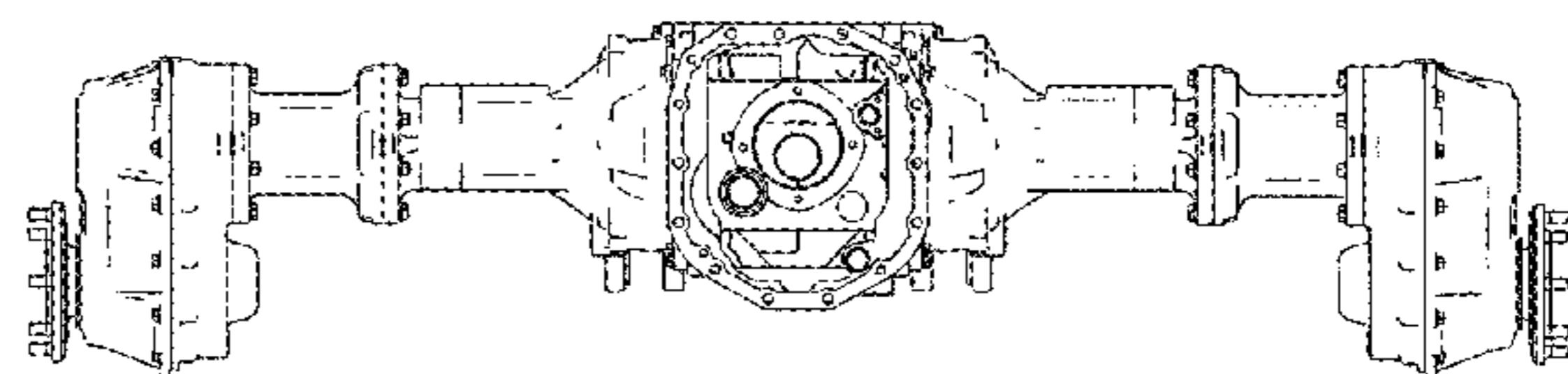
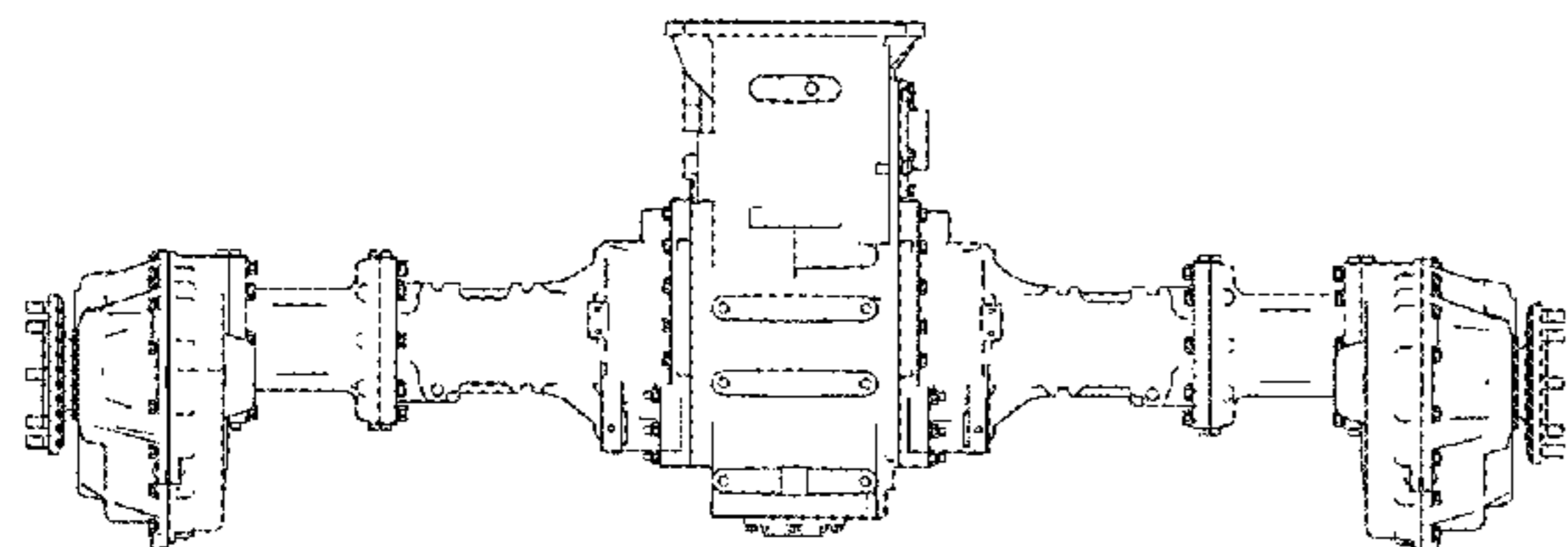
(57) **CLAIM**

The ornamental design for an axle case for working vehicle,
as shown and described.

DESCRIPTION

FIG. 1 is a bottom view of the first design of the invention.
FIG. 2 is a front view of the first design thereof.
FIG. 3 is a left side view of the first design thereof.
FIG. 4 is a rear view of the first design thereof.
FIG. 5 is a right side view of the first design thereof.
FIG. 6 is a top view of the first design thereof.
FIG. 7 is a bottom view of the second design thereof.
FIG. 8 is a front view of the second design thereof.
FIG. 9 is a left side view of the second design thereof.
FIG. 10 is a rear view of the second design thereof.
FIG. 11 is a right side view of the second design thereof; and,
FIG. 12 is a top view of the second design thereof.

1 Claim, 12 Drawing Sheets



(56)

References Cited

U.S. PATENT DOCUMENTS

2013/0326844 A1* 12/2013 Stoehr B60B 27/001
16/46
2014/0101891 A1* 4/2014 Hofrichter B60B 33/0042
16/35 R
2014/0262661 A1* 9/2014 Mathieu B60B 33/0007
190/18 A
2015/0040346 A1* 2/2015 Tsai B60B 33/0021
16/45
2015/0040352 A1* 2/2015 Tsai B60B 33/0086
16/35 R

* cited by examiner

FIG. 1

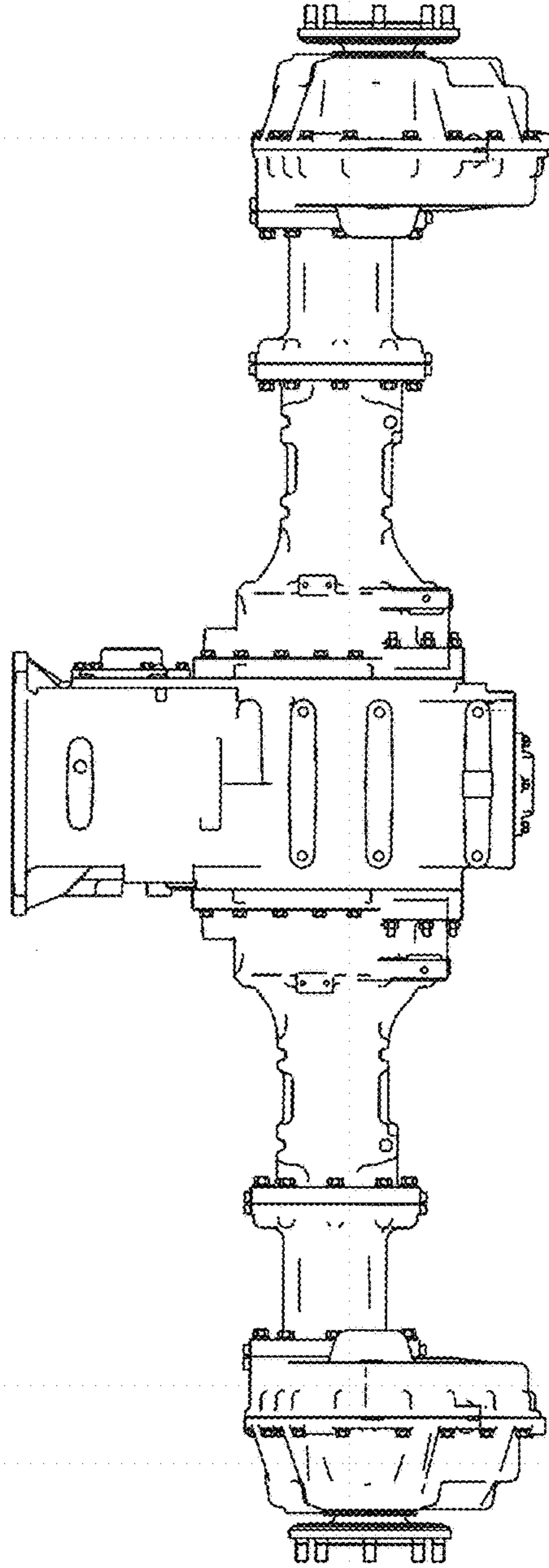


FIG. 2

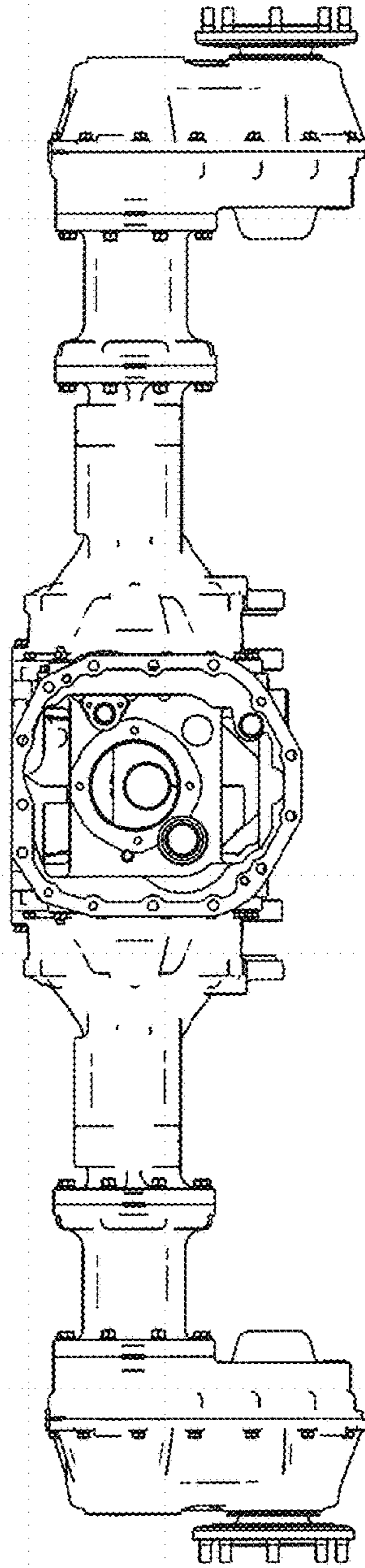


FIG. 3

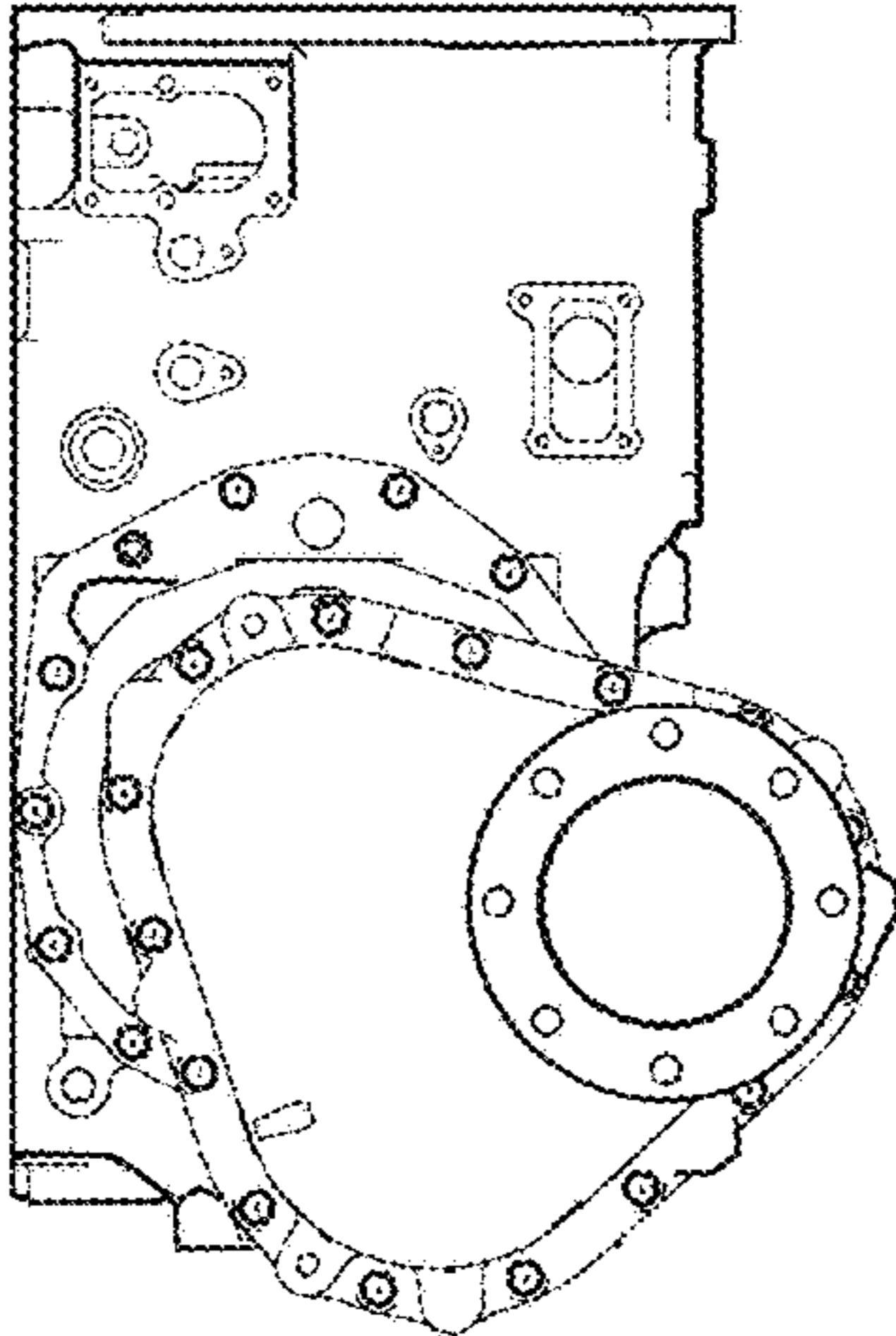


FIG. 4

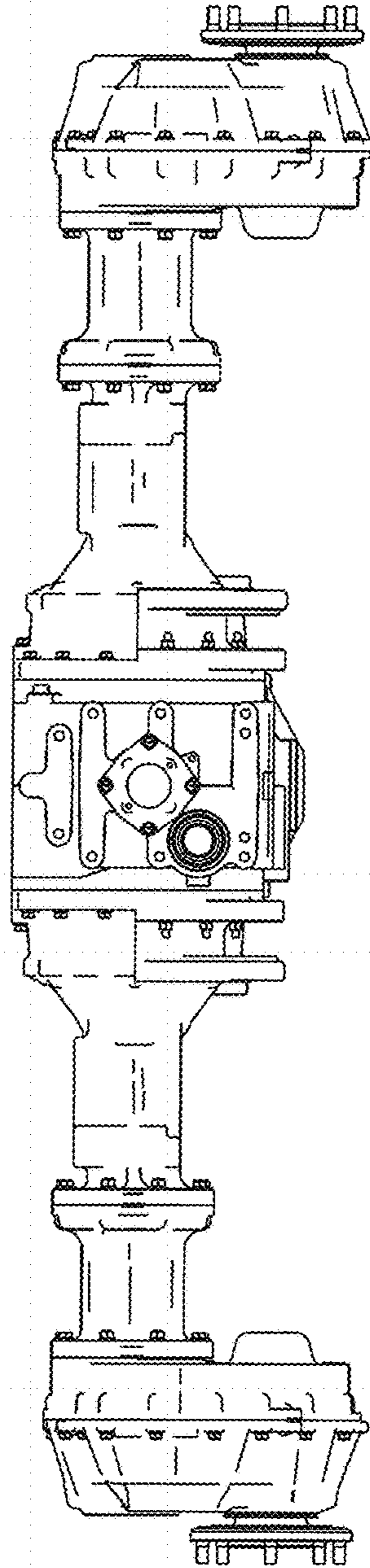


FIG. 5

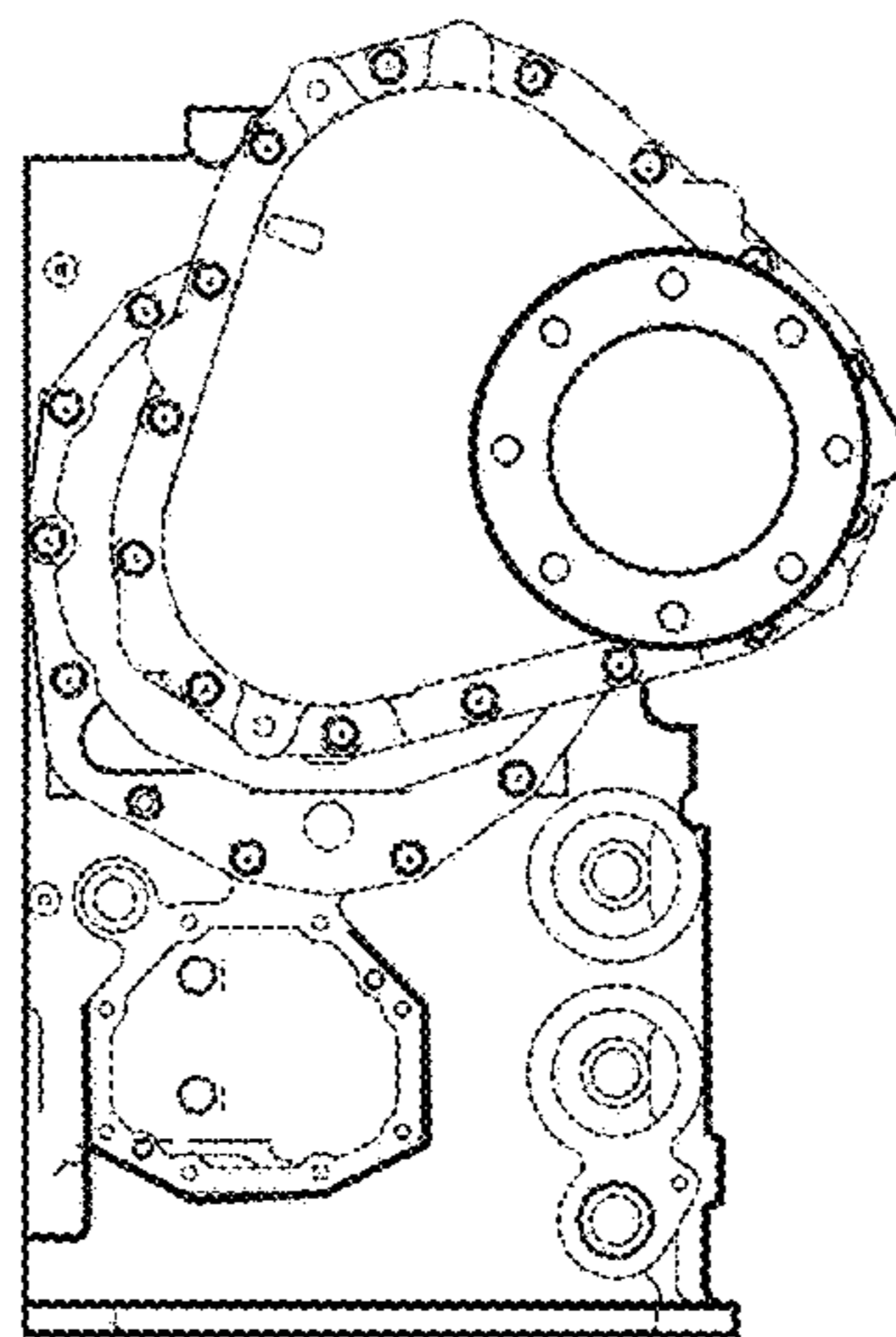


FIG. 6

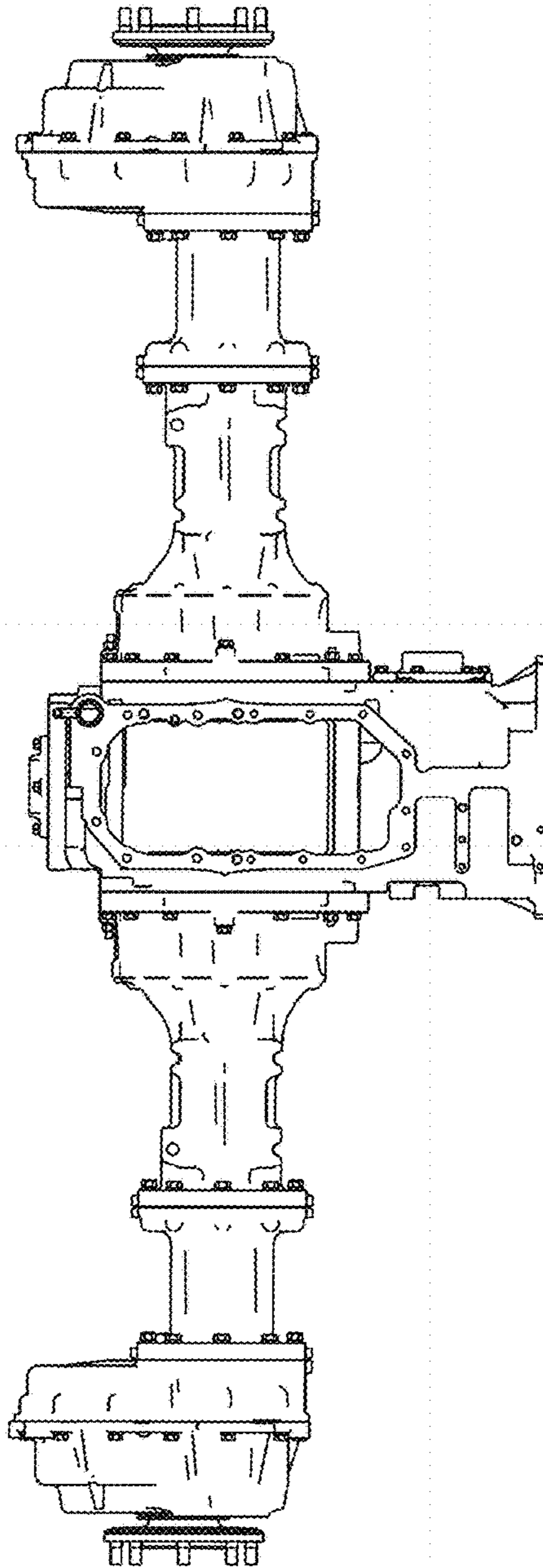


FIG. 7

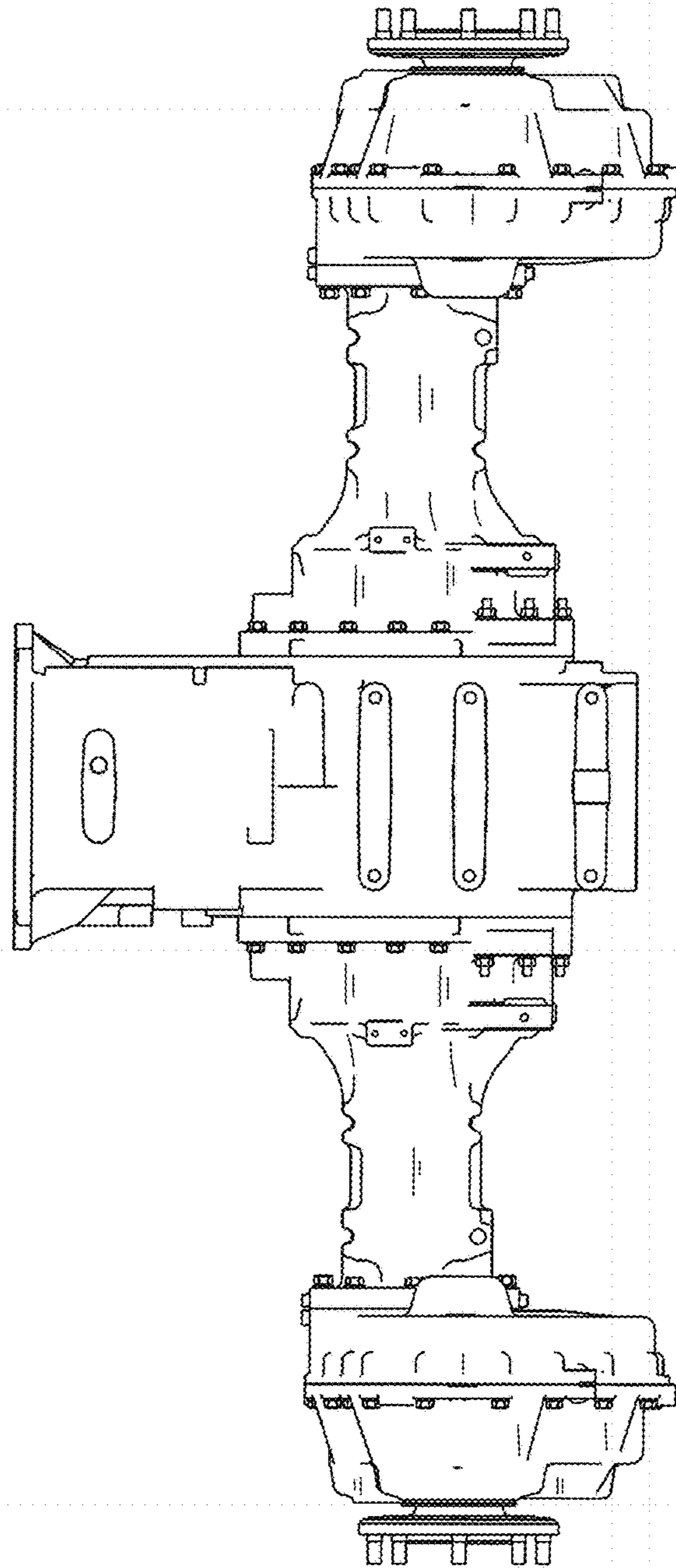


FIG. 8

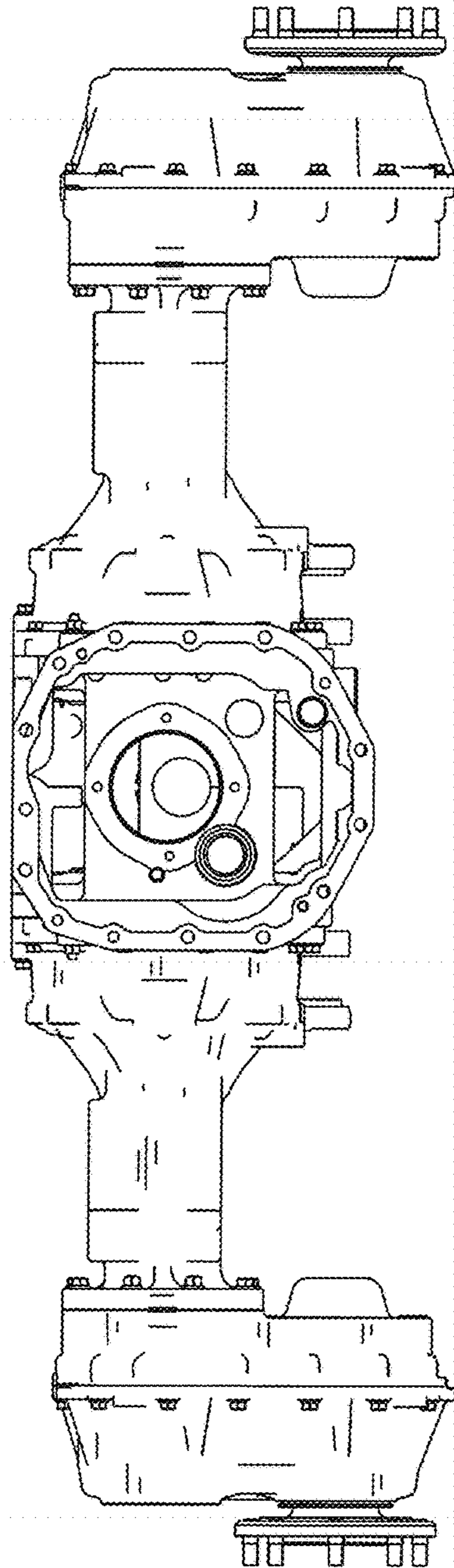


FIG. 9

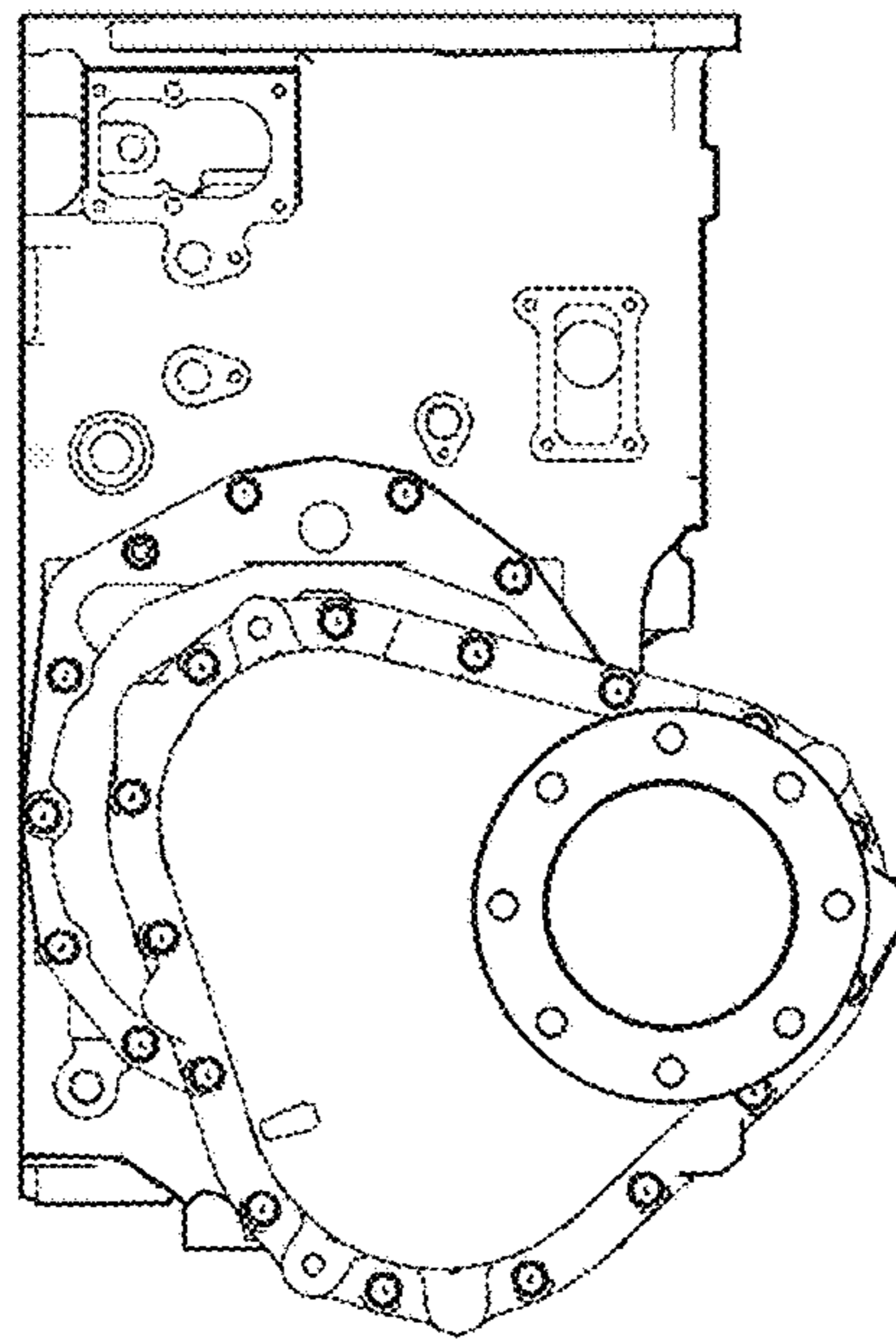


FIG. 10

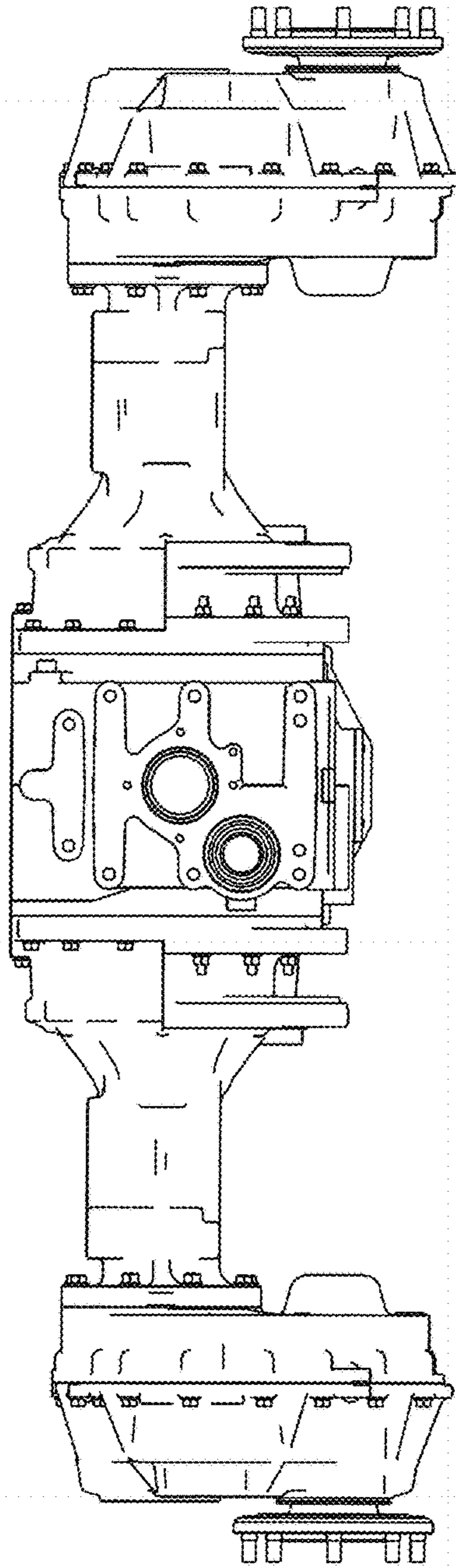


FIG. 11

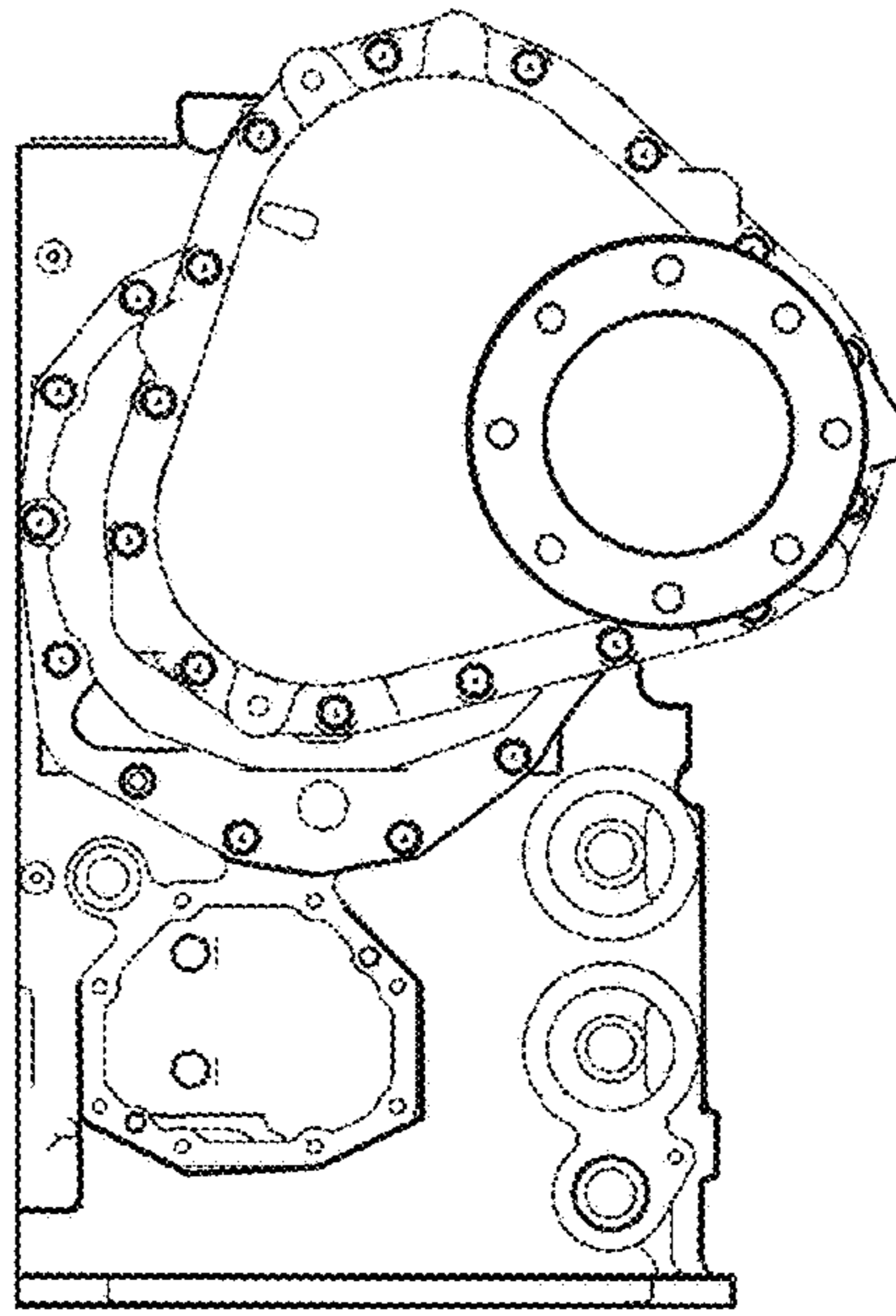


FIG. 12

