



US00D845180S

(12) **United States Design Patent**
Lait

(10) **Patent No.:** **US D845,180 S**

(45) **Date of Patent:** **** Apr. 9, 2019**

(54) **INFANT TRANSPORT SYSTEM TO FACILITATE TRANSPORT FROM ONE LOCATION TO ANOTHER**

(71) Applicant: **Advanced Healthcare Technology Limited (UK)**, Hertfordshire (GB)

(72) Inventor: **Mark Lait**, Hertfordshire (GB)

(73) Assignee: **ADVANCED HEALTHCARE TECHNOLOGY LIMITED (UK)**, Hertfordshire (GB)

(**) Term: **15 Years**

(21) Appl. No.: **29/609,926**

(22) Filed: **Jul. 6, 2017**

(30) **Foreign Application Priority Data**

Jun. 26, 2017 (EM) 004068047

(51) **LOC (11) Cl.** **12-02**

(52) **U.S. Cl.**
USPC **D12/128; D24/163**

(58) **Field of Classification Search**
USPC D12/128
CPC . A61G 1/04; A61G 1/00; A61G 1/044; A61G 1/048; A61G 1/0212; A61G 1/003; A61G 1/0237; A61G 1/0231; A61G 1/0262; A61G 1/052; A61G 1/0562; A61G 1/0567; A61G 7/0504; A61G 7/103; A61G 7/1046; A61G 13/105
See application file for complete search history.

(56) **References Cited**

U.S. PATENT DOCUMENTS

3,710,791 A * 1/1973 Deaton A61G 10/04
128/205.26
4,321,913 A * 3/1982 Maluta A61G 11/00
312/209

D497,429 S * 10/2004 Tetrault D24/163
D814,639 S * 4/2018 Hampe D24/163
9,968,279 B2 * 5/2018 Dumoulin A61B 5/0555
10,045,712 B2 * 8/2018 Dumoulin A61B 5/0555
10,076,266 B2 * 9/2018 Rapoport A61G 11/009
2002/0173717 A1 * 11/2002 Rohling A61B 5/0555
600/415
2012/0126814 A1 * 5/2012 Fischer G01R 33/30
324/318
2013/0204074 A1 * 8/2013 Belval A61G 11/00
600/22
2016/0081582 A1 * 3/2016 Rapoport G01R 33/30
600/415

* cited by examiner

Primary Examiner — Charles D Hanson

(74) *Attorney, Agent, or Firm* — Leason Ellis LLP

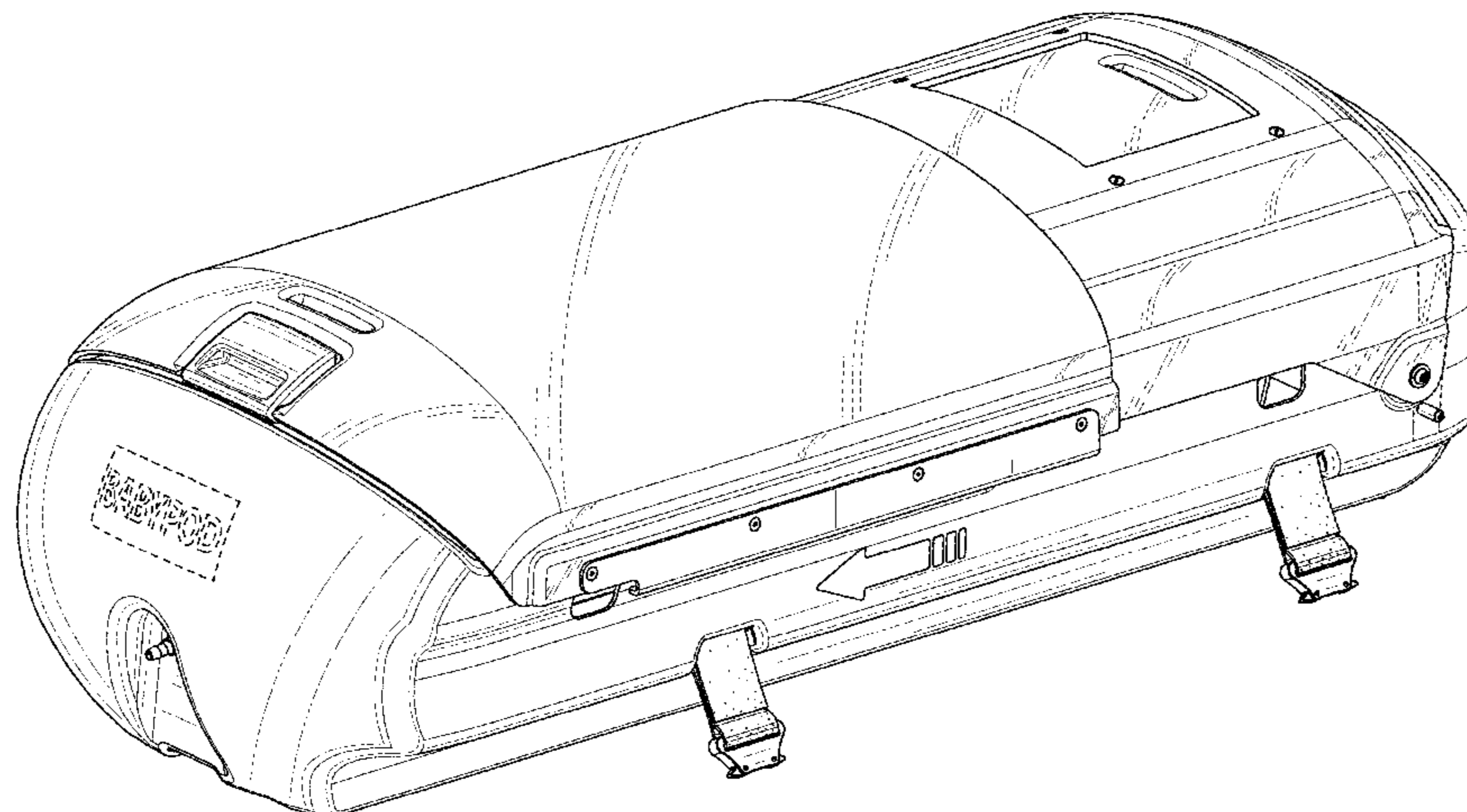
(57) **CLAIM**

The ornamental design for an infant transport system to facilitate transport from one location to another, as shown and described.

DESCRIPTION

FIG. 1 is a top and left side perspective view of an infant transport system to facilitate transport from one location to another showing my new ornamental design; FIG. 2 is a left side elevation view thereof; FIG. 3 is a top and right side perspective view thereof; FIG. 4 is a top plan view thereof; FIG. 5 is a front elevation view thereof; and, FIG. 6 is a rear elevation view thereof. The elongated thin lines, broken in part, are figurative effects meant to portray shadow-like features and form no part of the claimed design. The dash-dash-dash broken lines illustrate environmental structure and form no part of the claimed design.

1 Claim, 6 Drawing Sheets



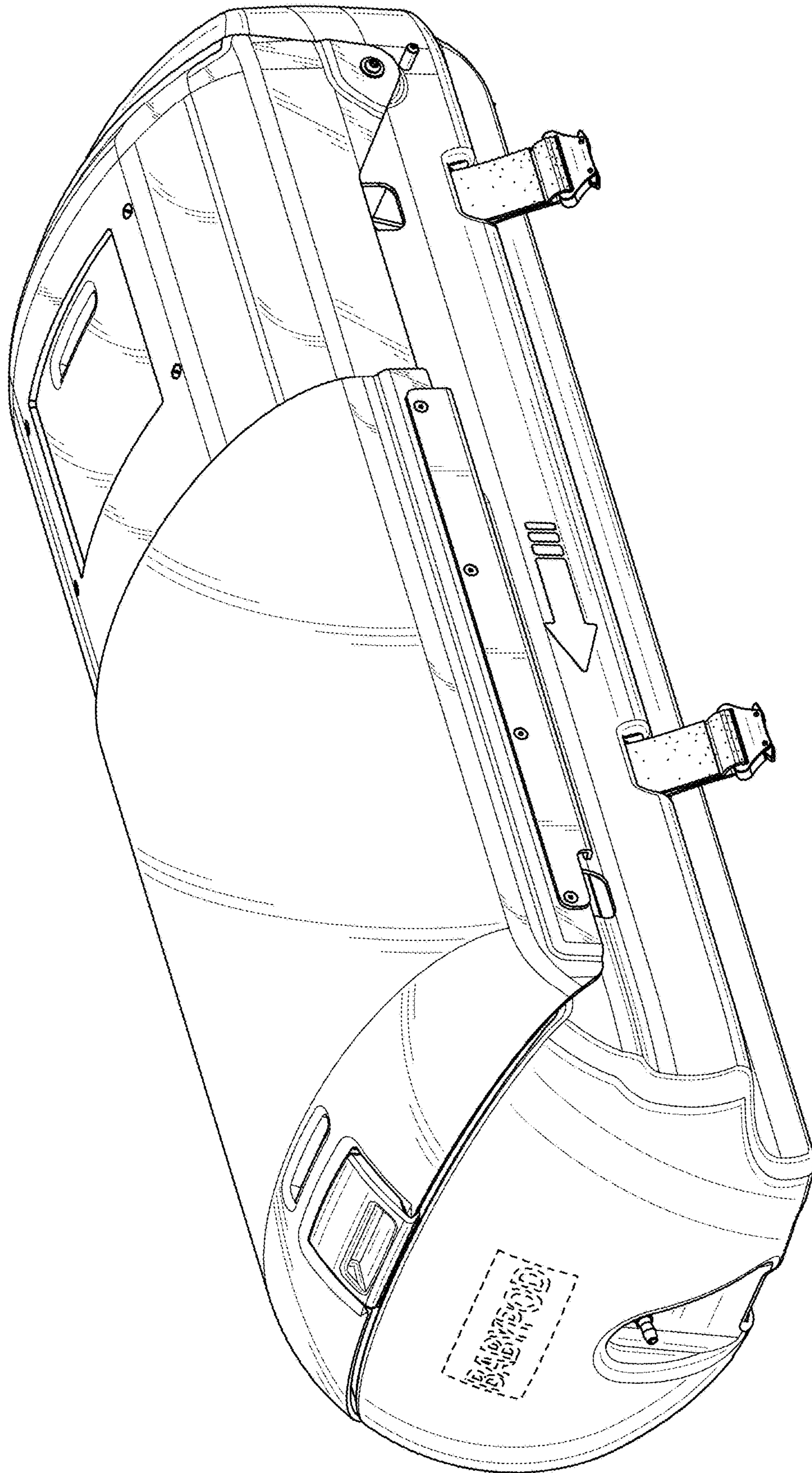


FIG. 1

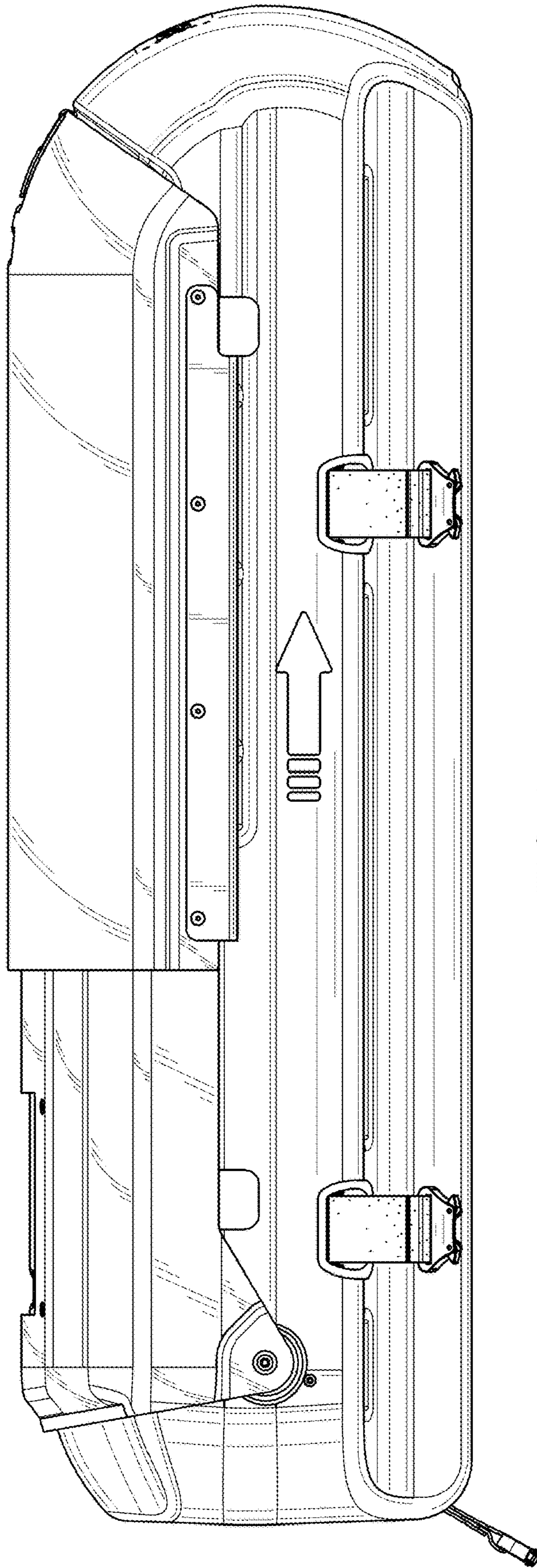


FIG. 2

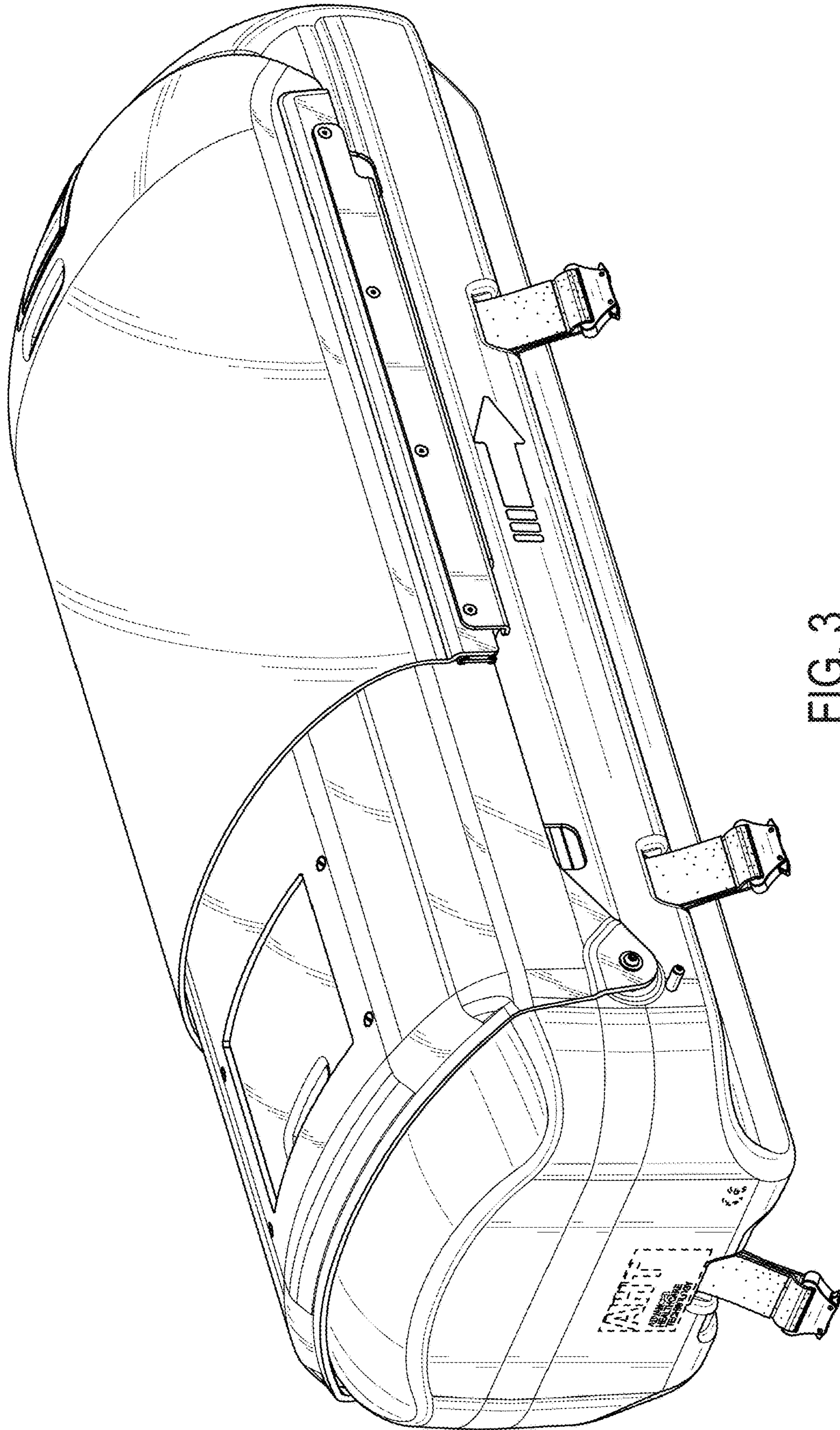


FIG. 3

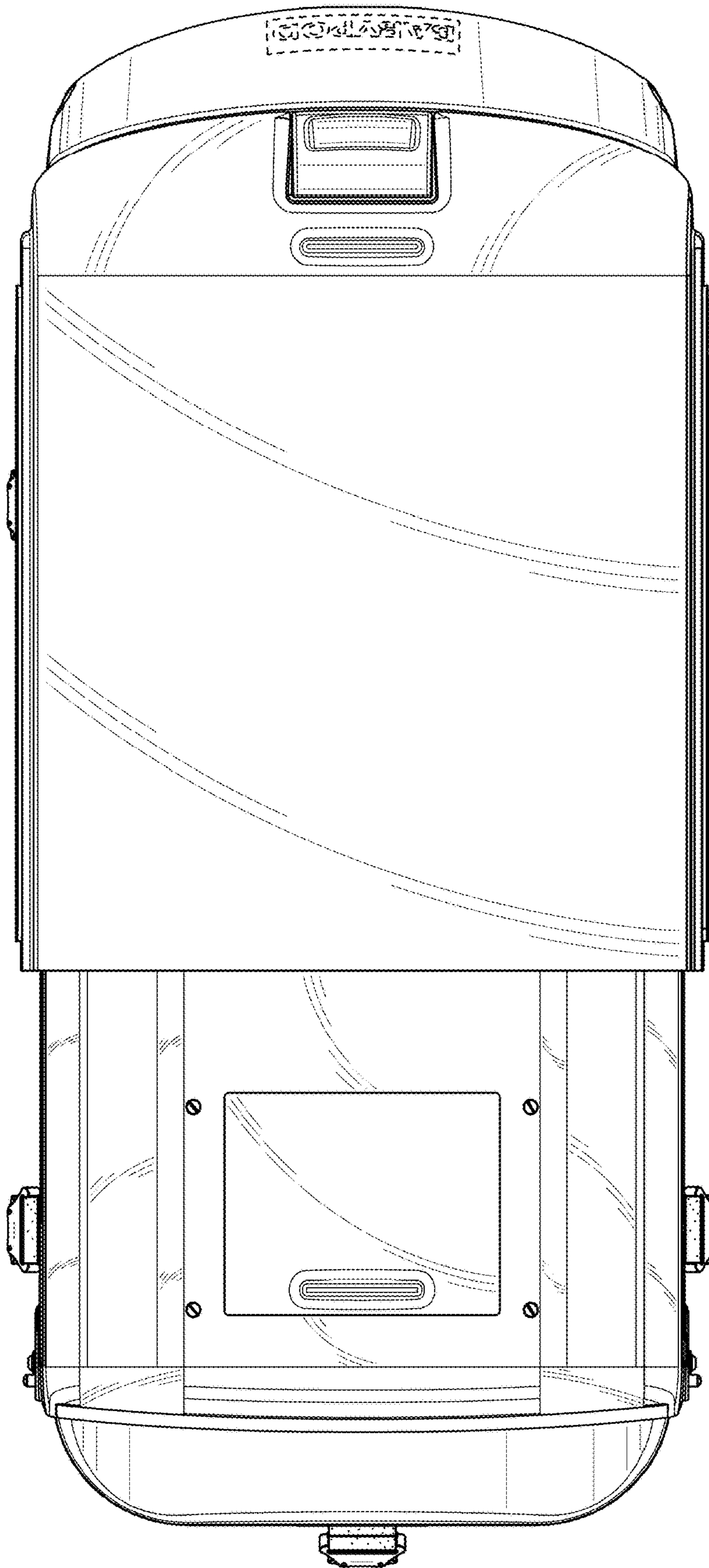


FIG. 4

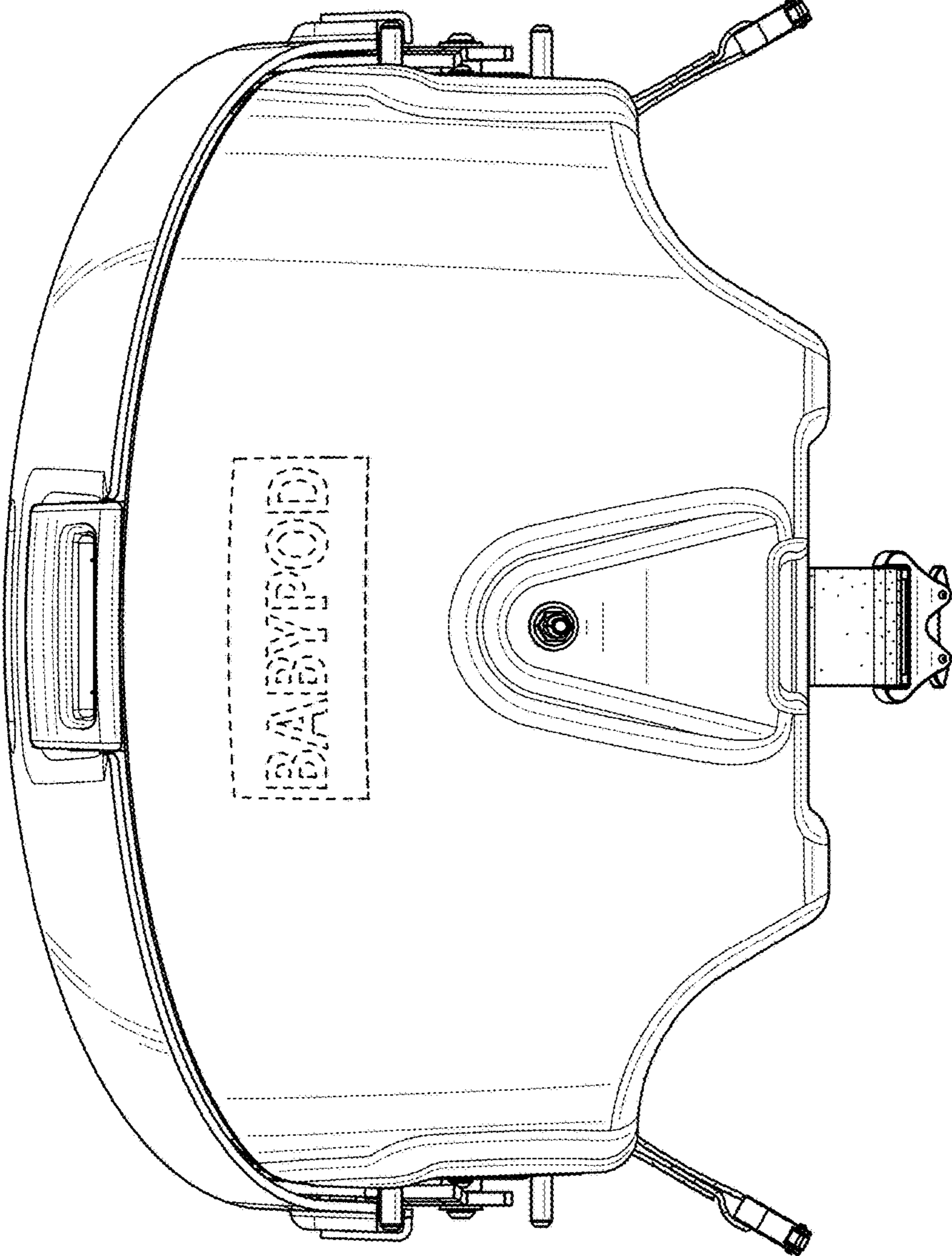


FIG. 5

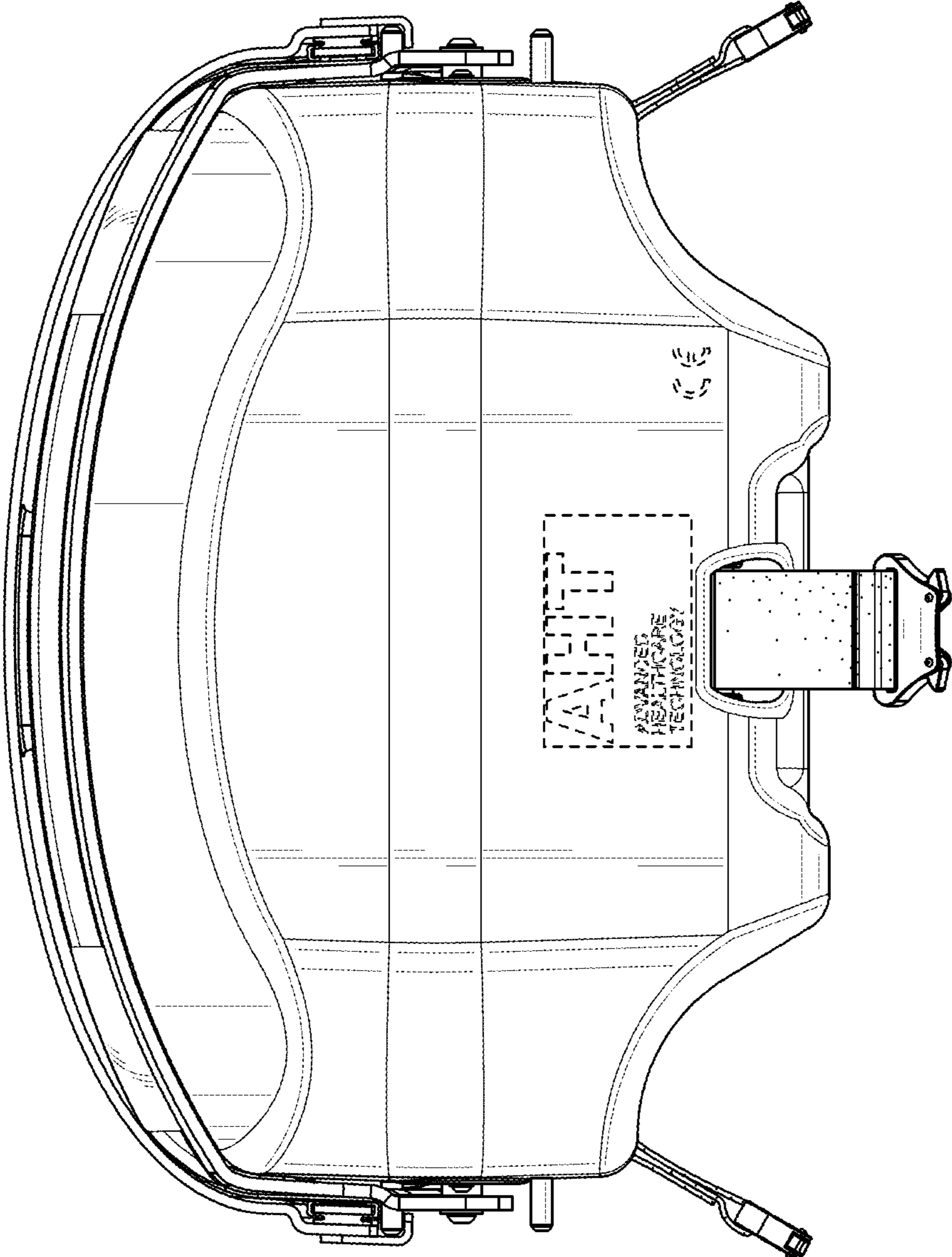


FIG. 6