



US00D845178S

(12) **United States Design Patent**
Yan

(10) **Patent No.:** **US D845,178 S**

(45) **Date of Patent:** **** Apr. 9, 2019**

(54) **ELECTRIC BICYCLE**

(71) Applicant: **ZHEJIANG RIGHT DIGITAL TECHNOLOGY CO., LTD.**, Zhejiang (CN)

(72) Inventor: **Ming Yan**, Zhejiang (CN)

(73) Assignee: **ZHEJIANG RIGHT DIGITAL TECHNOLOGY CO., LTD.**, Zhejiang (CN)

(**) Term: **15 Years**

(21) Appl. No.: **29/584,162**

(22) Filed: **Nov. 11, 2016**

(30) **Foreign Application Priority Data**

May 13, 2016 (CN) 2016 3 0178277

(51) **LOC (11) Cl.** **12-11**

(52) **U.S. Cl.**
USPC **D12/111**

(58) **Field of Classification Search**

USPC D12/110, 111, 112, 114, 117, 119
CPC A63B 22/0605; B60L 1/16; B60R 1/076;
B62H 3/04; B62H 5/006; B62J 1/04;
B62J 7/04; B62K 11/00; B62K 11/02;
B62K 11/04; B62K 15/00; B62K
2202/00; B62K 25/286; B62K 3/00;
B62K 3/02; B62K 3/10; B62K 5/00;
B62K 5/003; B62K 5/007; B62K 5/01;
B62M 6/45; B62M 6/65; G02B 5/08;
G02B 7/18; G02B 7/182; G08G 1/127

See application file for complete search history.

(56) **References Cited**

U.S. PATENT DOCUMENTS

5,685,553 A * 11/1997 Wilcox B62K 3/10
280/281.1
D389,787 S * 1/1998 Zeigle D12/111

D419,923 S * 2/2000 Kciuk D12/111
D421,936 S * 3/2000 Hong D12/111
6,073,949 A * 6/2000 O'Hare B62J 1/04
267/132
D430,070 S * 8/2000 Kciuk D12/111
6,164,676 A * 12/2000 Wilcox B62K 25/286
280/284
6,364,334 B1 * 4/2002 Kuba B62K 15/00
280/287
D494,893 S * 8/2004 Shiau D12/111
D597,147 S * 7/2009 Verlinden D21/424
D694,156 S * 11/2013 Taipalus D12/111
8,651,505 B2 * 2/2014 Williams A63B 22/0605
280/259
2008/0258427 A1 * 10/2008 Buckley B62K 25/286
280/284

* cited by examiner

Primary Examiner — Susan E Krakower

Assistant Examiner — Jerry Shiuan-Hua Hsu

(74) *Attorney, Agent, or Firm* — Volpe and Koenig, P.C.

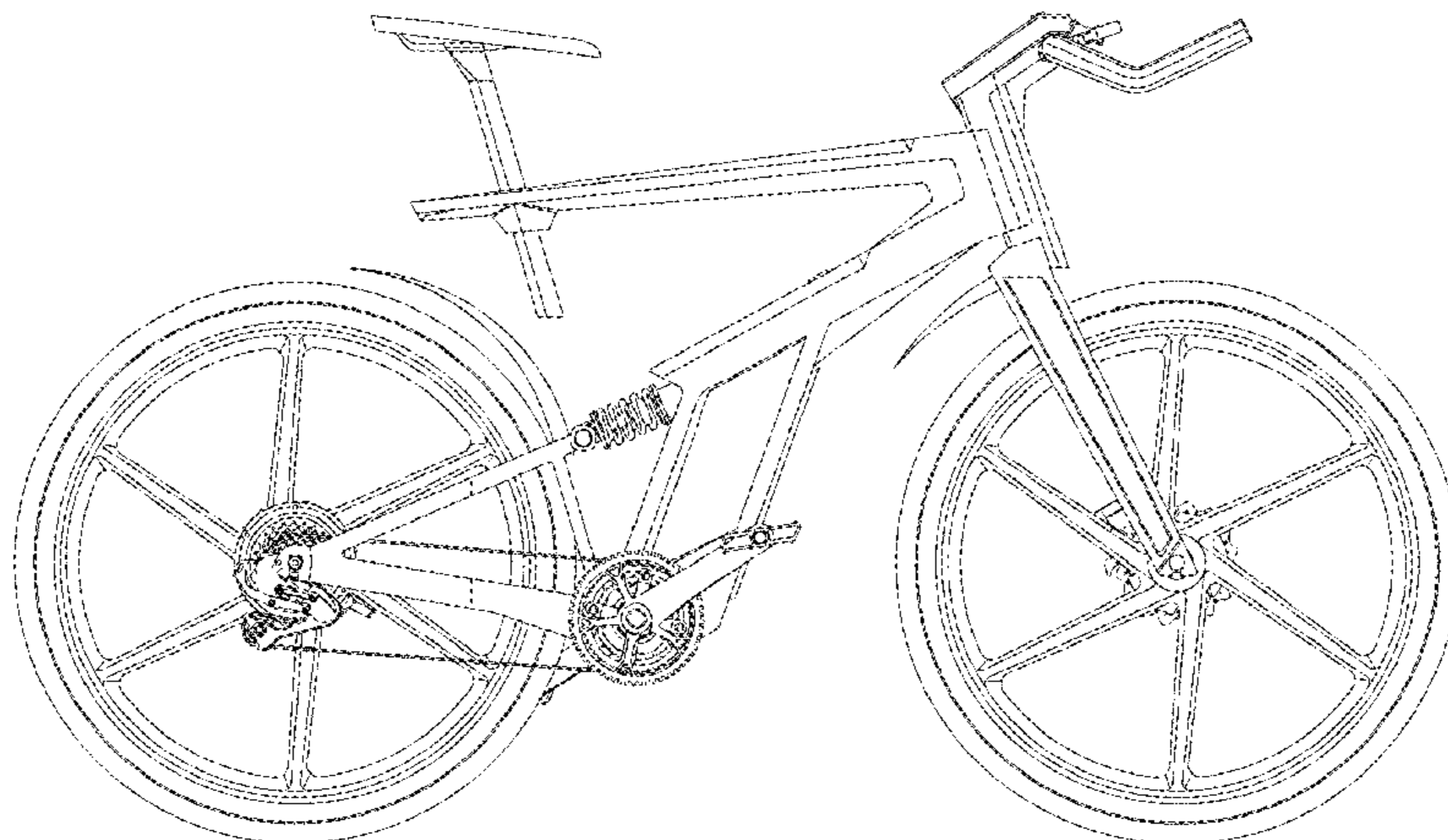
(57) **CLAIM**

The ornamental design for an electric bicycle, as shown and described.

DESCRIPTION

FIG. 1 is a front view of an electric bicycle, showing my new design;
FIG. 2 is a left side view thereof;
FIG. 3 is a right side view thereof;
FIG. 4 is a rear view thereof;
FIG. 5 is a top view thereof;
FIG. 6 is a bottom view thereof; and,
FIG. 7 is a perspective view thereof.
The broken lines illustrate portions of the electric bicycle that form no part of the claimed design.

1 Claim, 7 Drawing Sheets



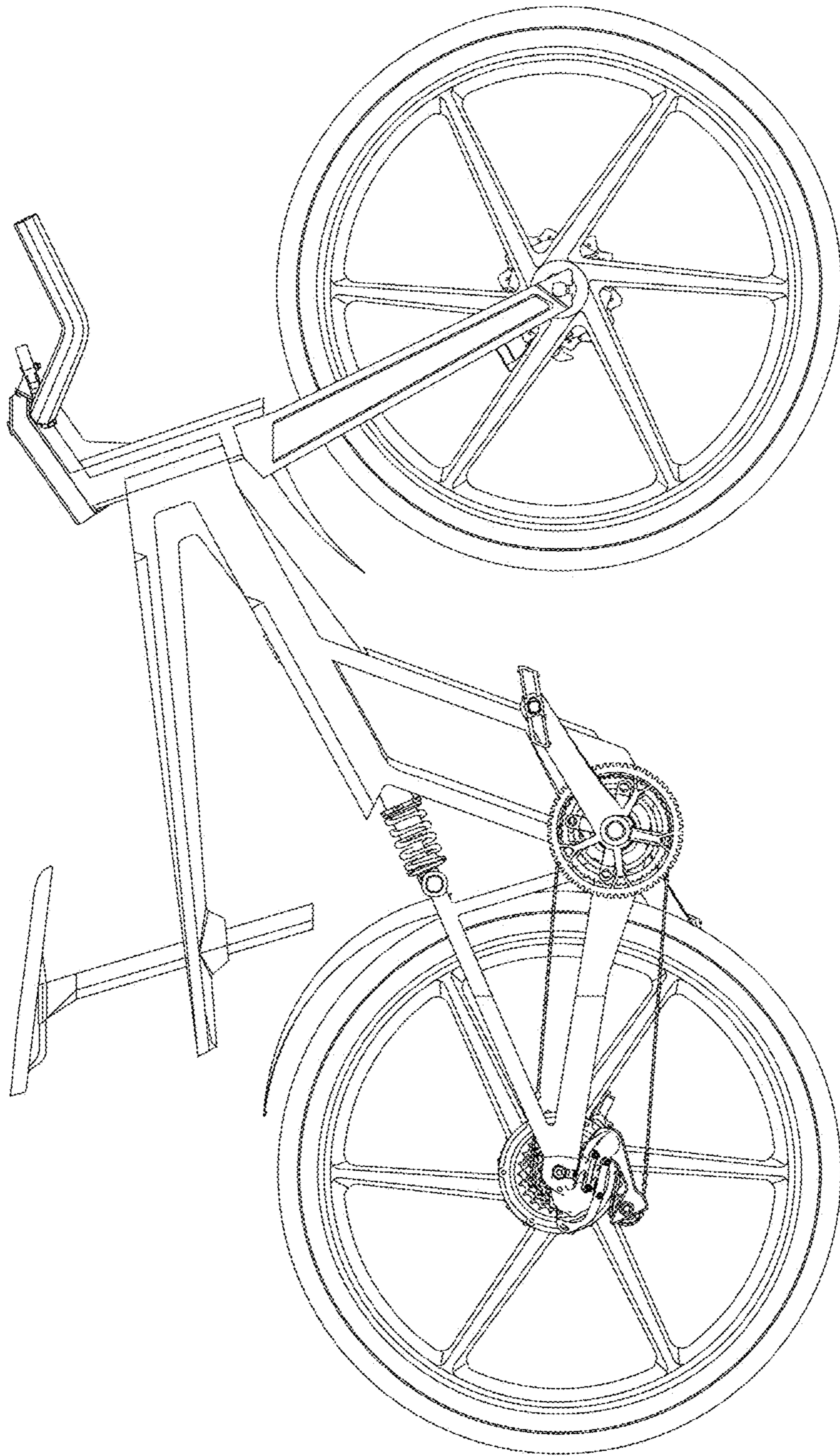


Figure 1

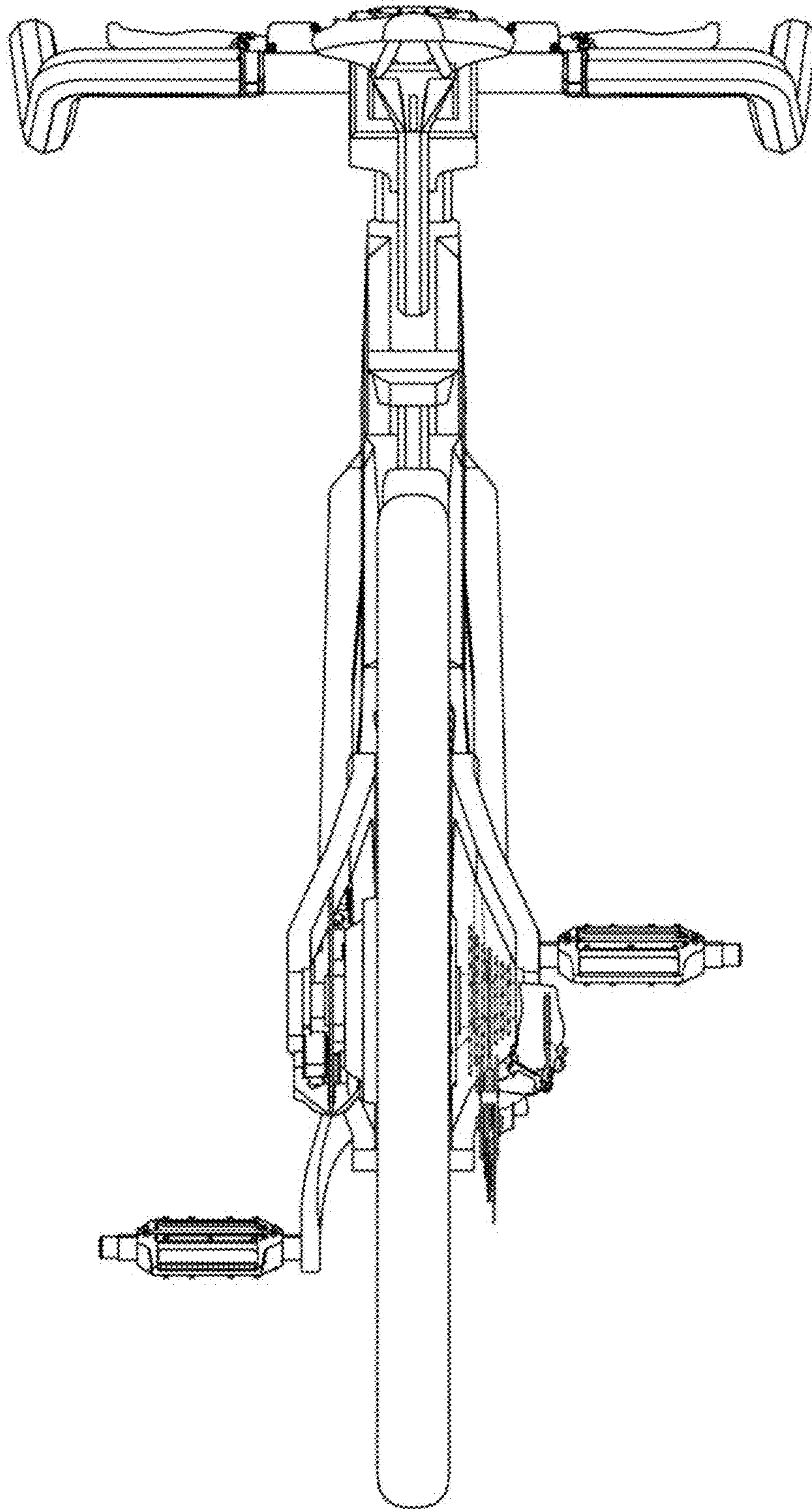


Figure 2

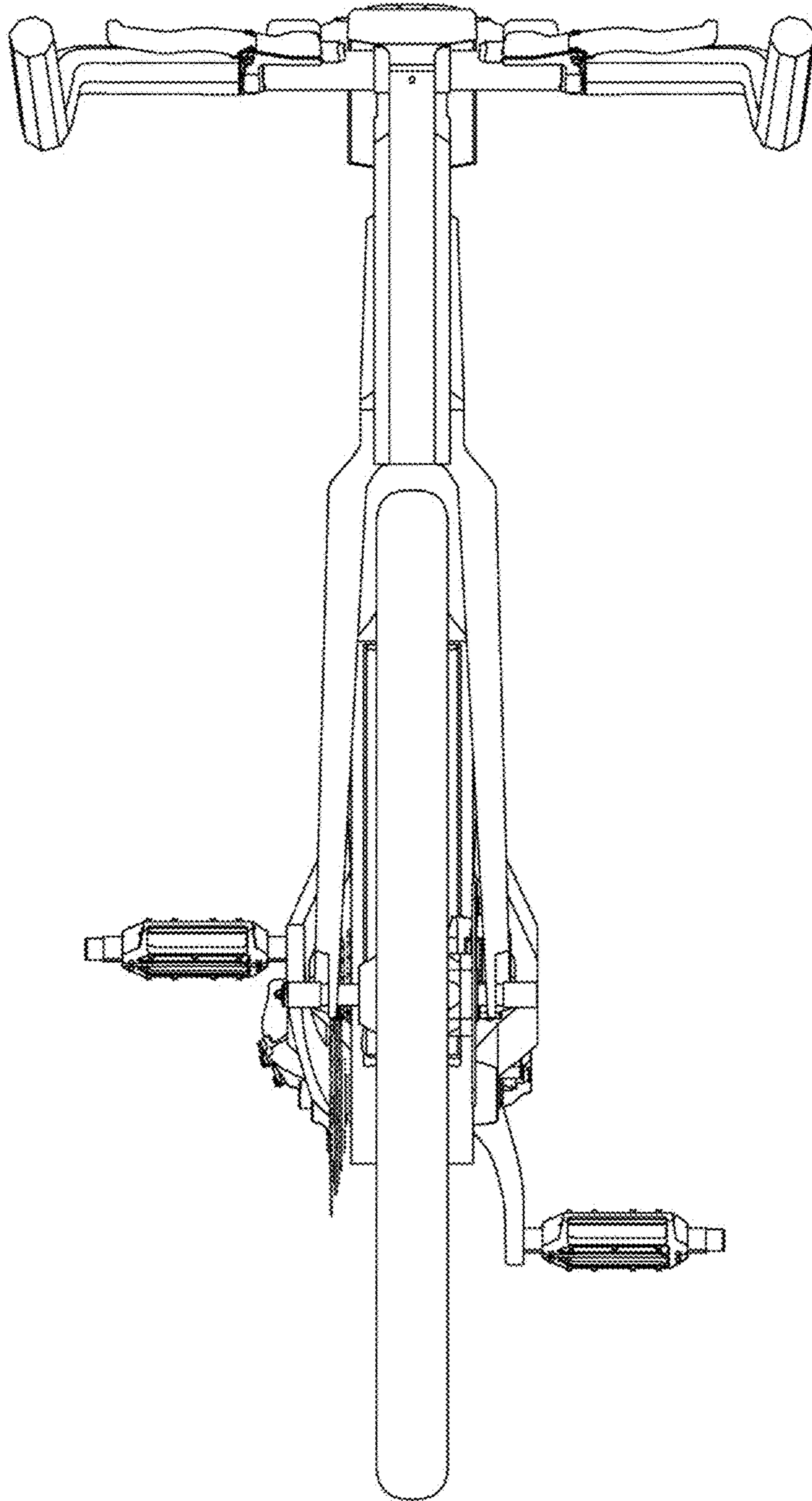


Figure 3

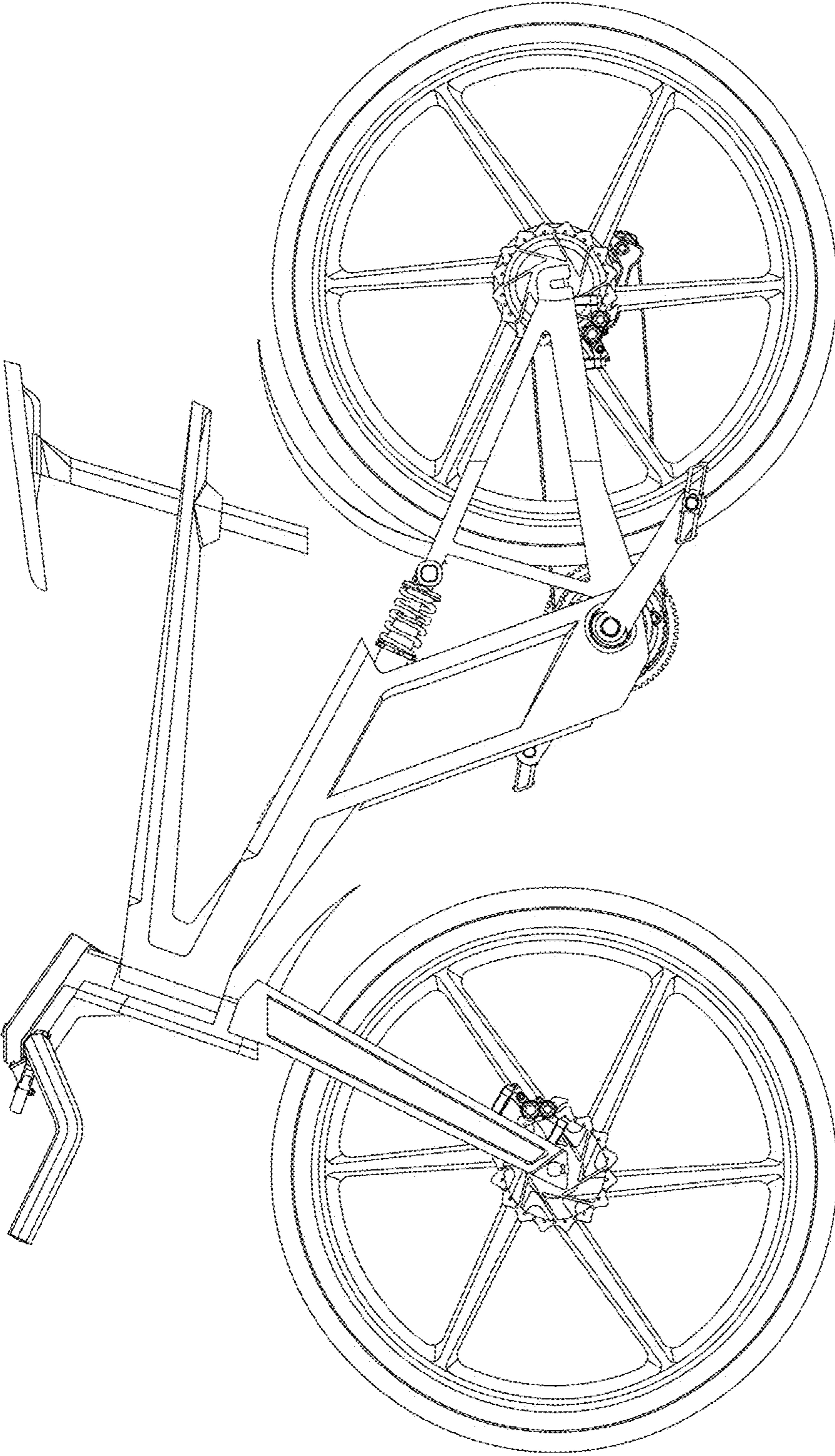


Figure 4

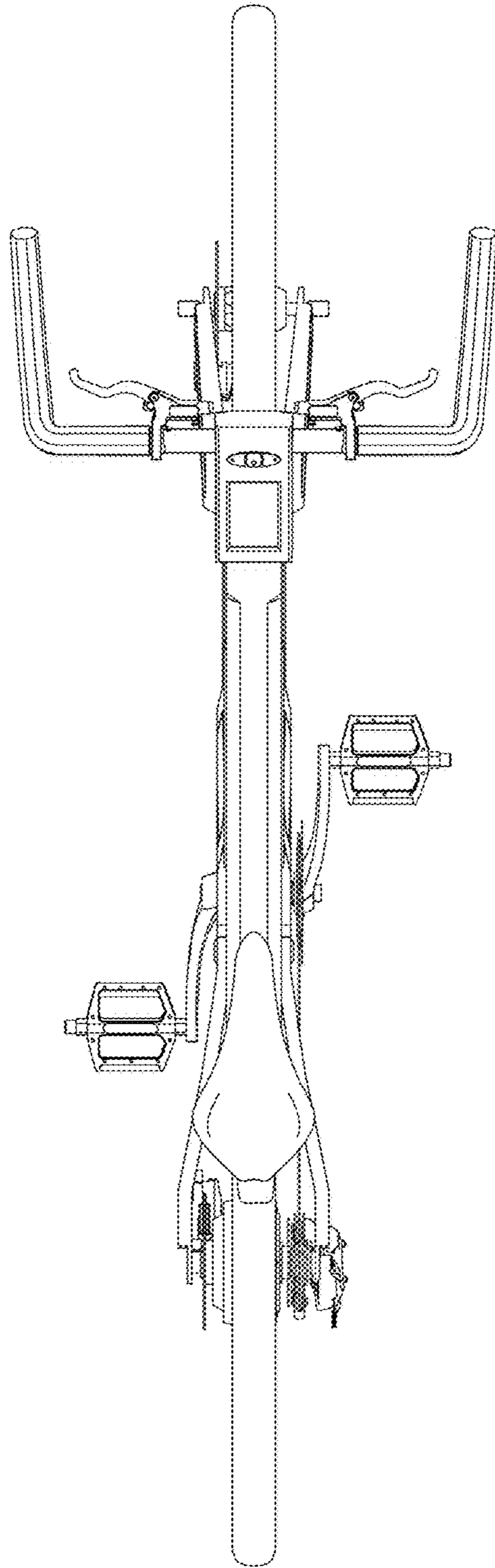


Figure 5

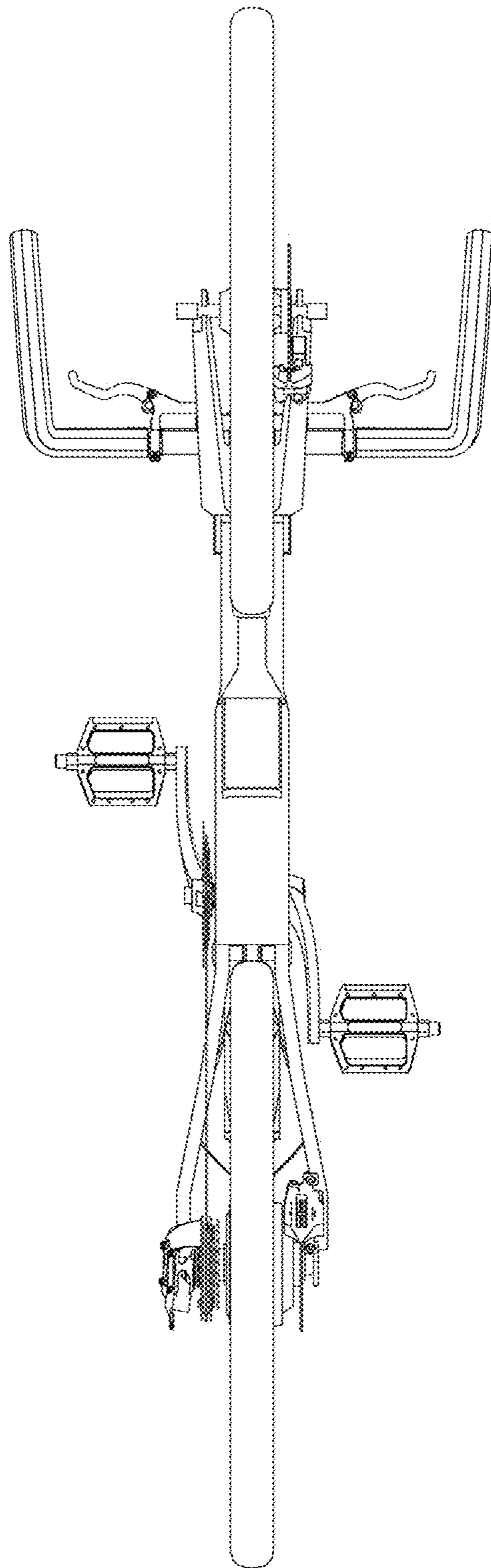


Figure 6

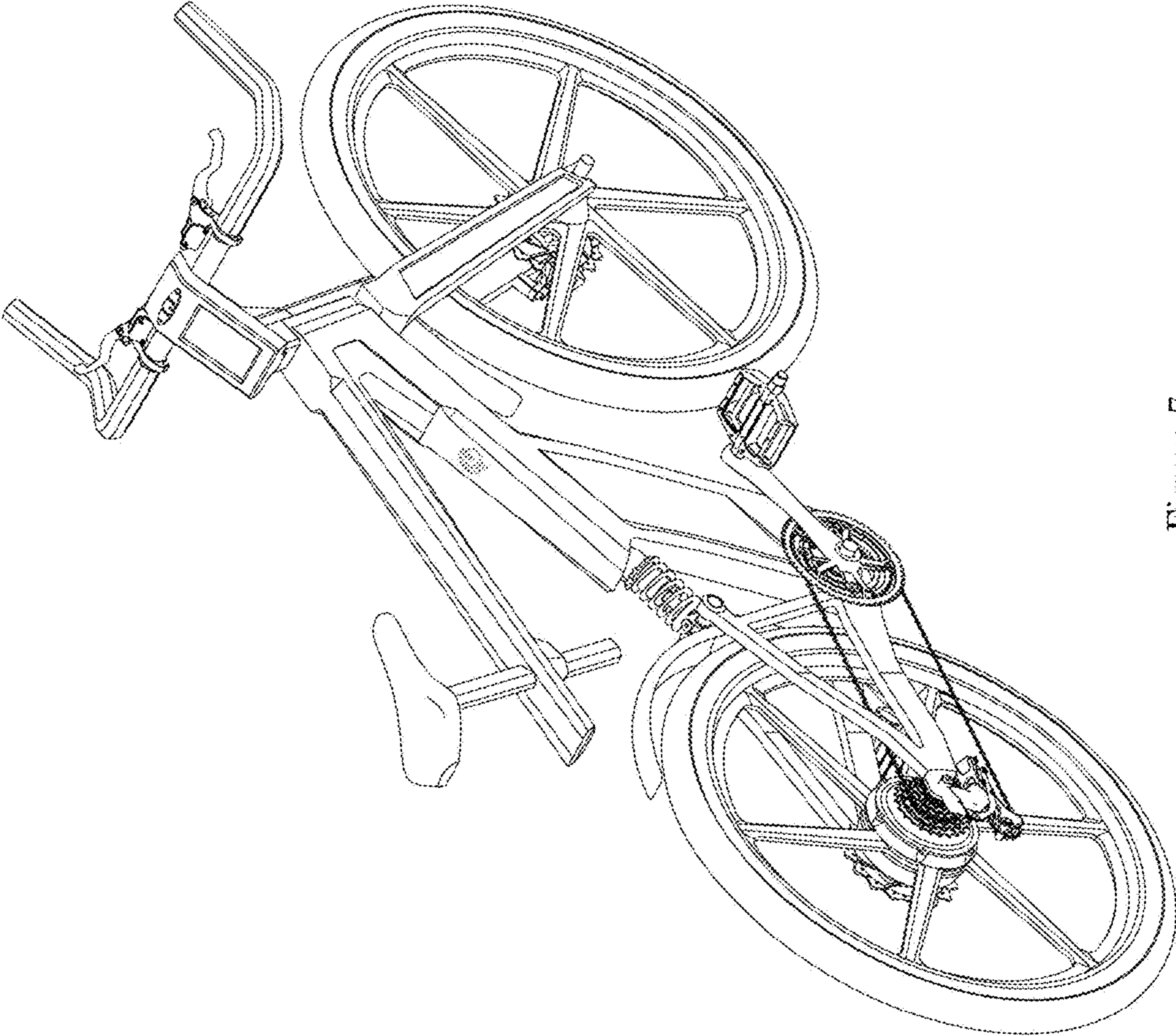


Figure 7