



US00D845177S

(12) **United States Design Patent** (10) **Patent No.:** **US D845,177 S**
Abramov et al. (45) **Date of Patent:** **** Apr. 9, 2019**

(54) **PERSONAL STANDING VEHICLE**
(71) Applicant: **COYOTE MOBILITY LTD.**, Hagor (IL)
(72) Inventors: **Erez Abramov**, Hagor (IL); **Eyal Kremer**, Shoshanat Ha'amakim (IL)
(73) Assignee: **D.S. RAIDER LTD.**, Hagor (IL)
(**) Term: **15 Years**
(21) Appl. No.: **29/597,900**
(22) Filed: **Mar. 21, 2017**
(30) **Foreign Application Priority Data**

D498,439 S * 11/2004 Kirkpatrick D12/112
D507,206 S * 7/2005 Wang D12/1
D590,747 S * 4/2009 Staller D12/107
D614,998 S * 5/2010 Fujita D12/1
D619,045 S * 7/2010 Fujita D12/1
D626,031 S * 10/2010 Doran D12/1
D626,884 S * 11/2010 Fujita D12/1
D639,210 S * 6/2011 Kettler D12/107
8,141,669 B1 * 3/2012 Laymaster B60K 7/0007
180/216
8,397,854 B1 * 3/2013 Nam B62K 25/283
180/210
D699,626 S * 2/2014 Nam D12/1
8,783,394 B1 * 7/2014 Nam B62K 5/027
180/210
D735,608 S * 8/2015 Cao D12/1
D740,173 S * 10/2015 Treadway D12/1
D766,131 S * 9/2016 Harding D12/85
D788,639 S * 6/2017 Constin D12/1

(Continued)

Sep. 21, 2016 (IL) 59216

(51) **LOC (11) Cl.** **12-13**
(52) **U.S. Cl.**
USPC **D12/107**
(58) **Field of Classification Search**
USPC D12/1, 8, 14, 85, 86, 112, 113, 128, 130;
D21/419, 421, 423, 424, 435
CPC B62K 1/00; B62K 3/002; B62K 3/007;
B62K 11/00; B62M 7/12; B60K 7/0007
See application file for complete search history.

Primary Examiner — Darlington Ly
(74) *Attorney, Agent, or Firm* — McDonnell Boehnen
Hulbert & Berghoff LLP

(57) **CLAIM**

The ornamental design for a personal standing vehicle, as shown and described.

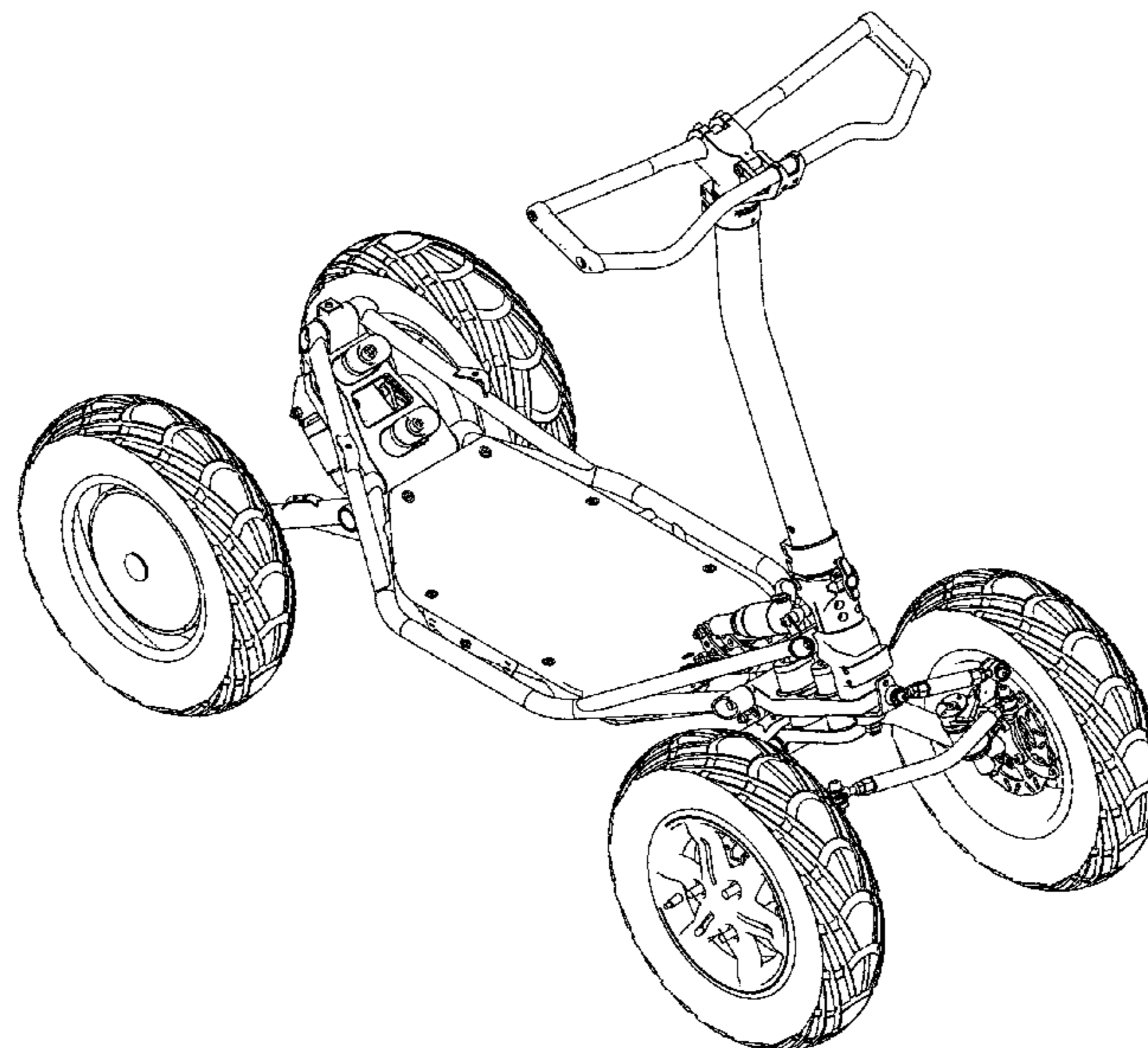
DESCRIPTION

FIG. 1 is a top, front, and right side perspective view of a personal standing vehicle showing our new design; FIG. 2 is a top, front, and left side perspective view thereof; FIG. 3 is a top, rear, and left side perspective view thereof; FIG. 4 is a top, rear, and right side perspective view thereof; FIG. 5 is a rear elevation view thereof; FIG. 6 is a front elevation view thereof; FIG. 7 is a left side elevation view thereof; FIG. 8 is a right side elevation view thereof; and, FIG. 9 is a top plan view thereof.

(56) **References Cited**
U.S. PATENT DOCUMENTS

D146,542 S * 4/1947 Hecht 280/269
D280,089 S * 8/1985 Blower D12/128
D328,881 S * 8/1992 Herman D12/107
D337,553 S * 7/1993 Valentine D12/107
D427,945 S * 7/2000 Kirkpatrick D12/112
D428,364 S * 7/2000 Kirkpatrick D12/112
D478,846 S * 8/2003 Sauter D12/107
D485,214 S * 1/2004 Sauter D12/107

1 Claim, 9 Drawing Sheets



(56)

References Cited

U.S. PATENT DOCUMENTS

D791,647 S *	7/2017	Li	D12/107
D813,103 S *	3/2018	Li	D12/112
2009/0237032 A1 *	9/2009	Nam	H01M 10/441
			320/116
2010/0065361 A1 *	3/2010	Nam	B60W 30/04
			180/211
2013/0153322 A1 *	6/2013	Constin	B62B 1/002
			180/212
2013/0192908 A1 *	8/2013	Schlagheck	B60K 1/04
			180/65.1

* cited by examiner

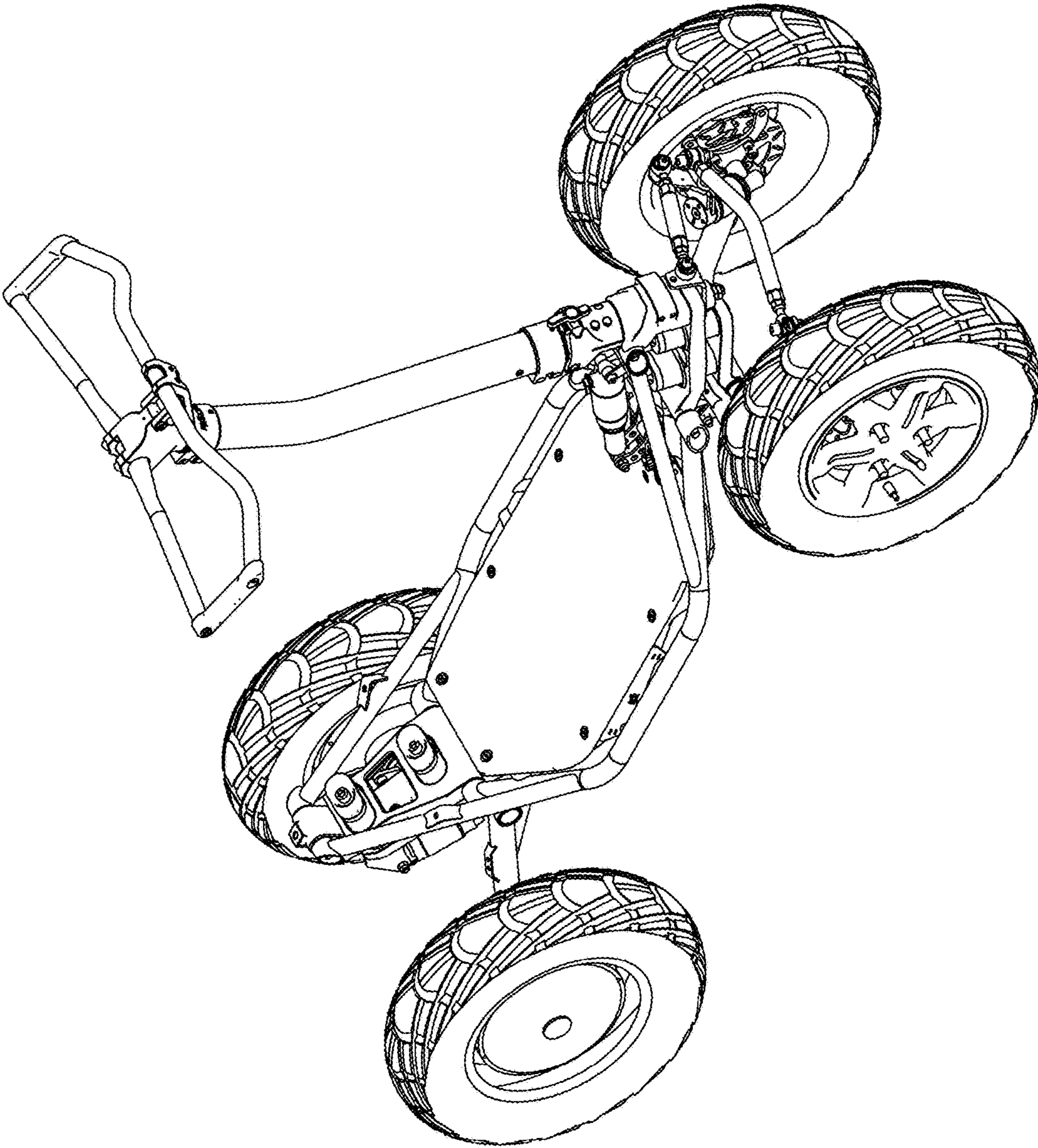


Fig. 1

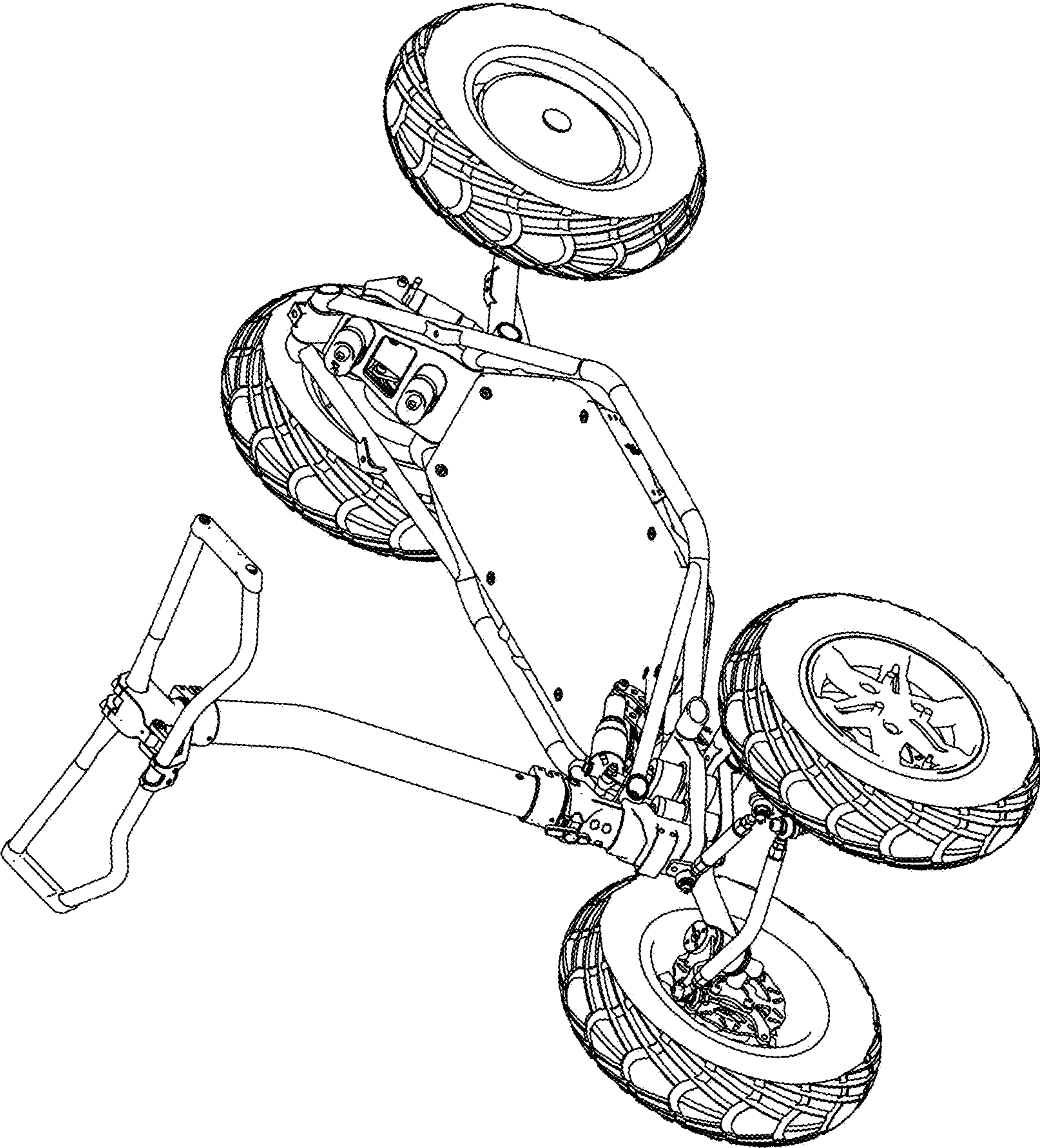


Fig. 2

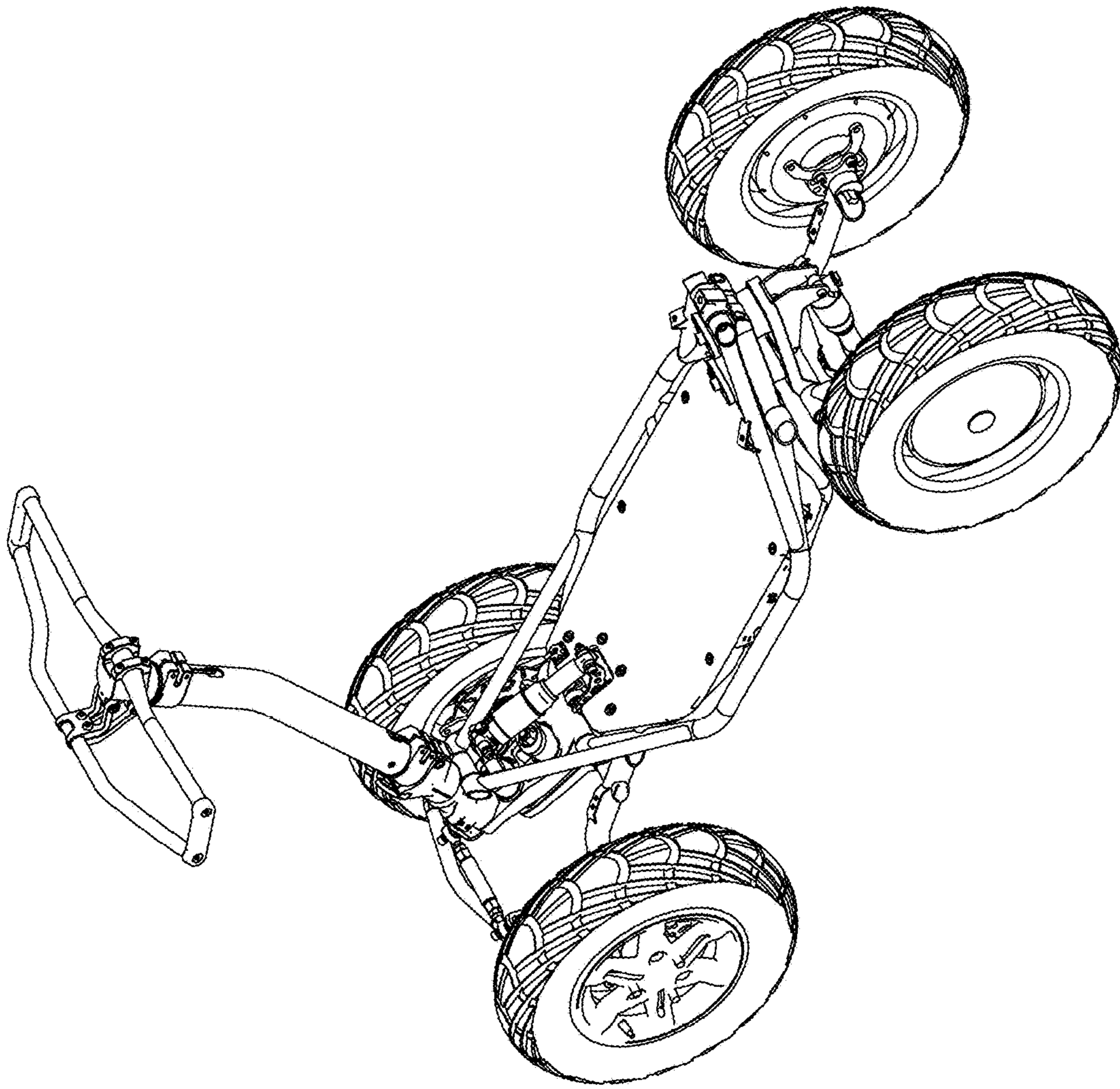


Fig. 3

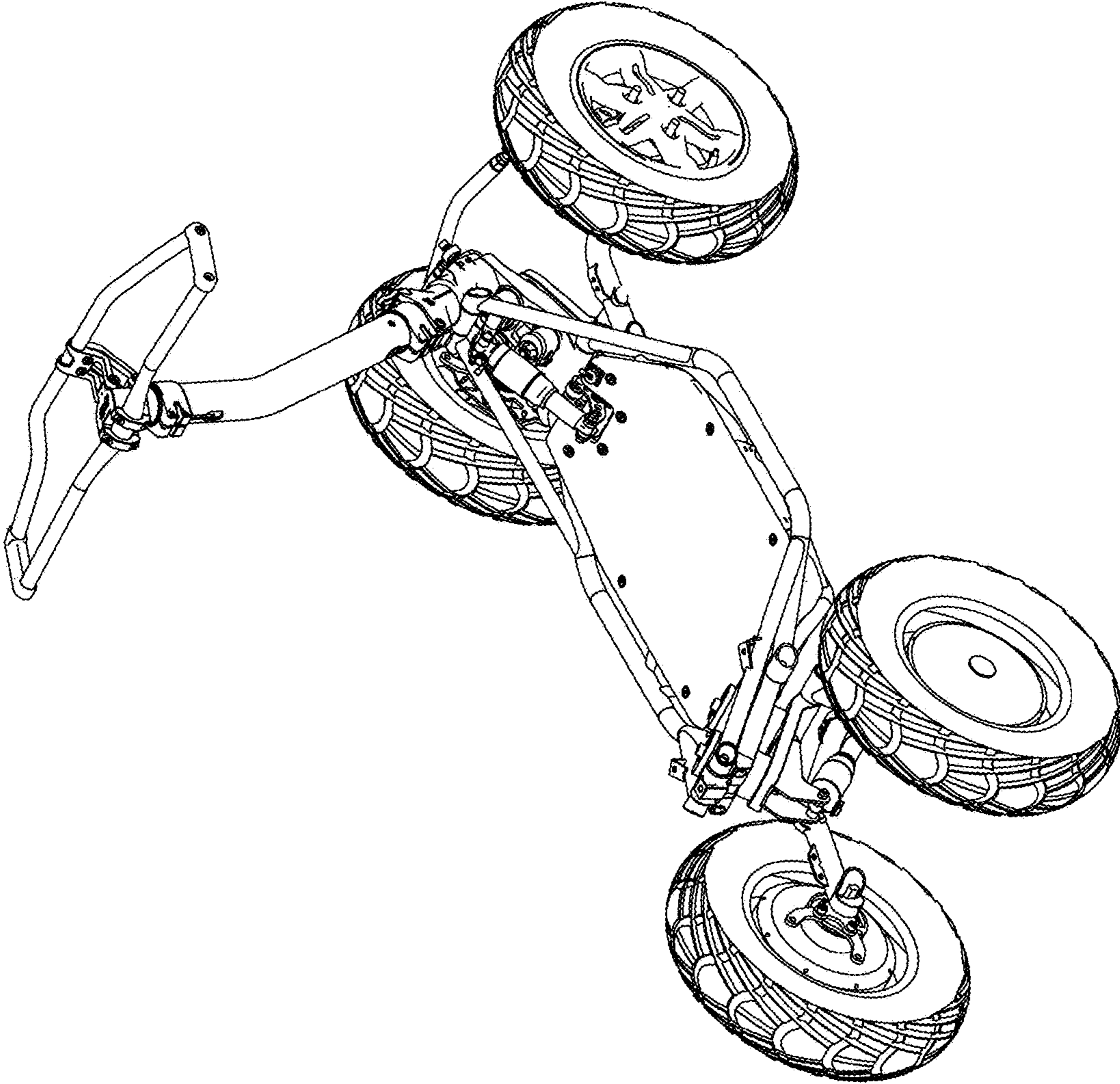


Fig. 4

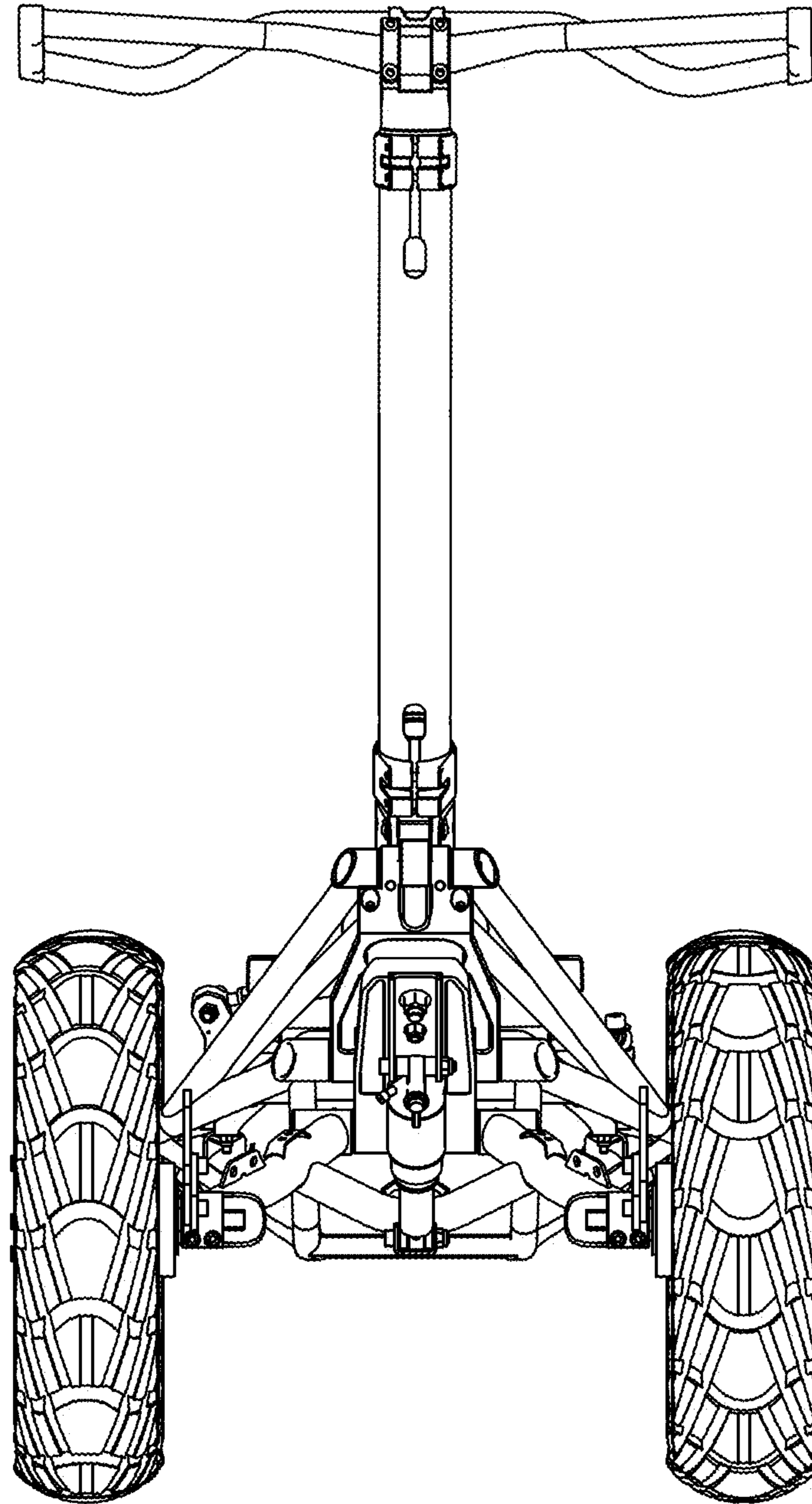


Fig. 5

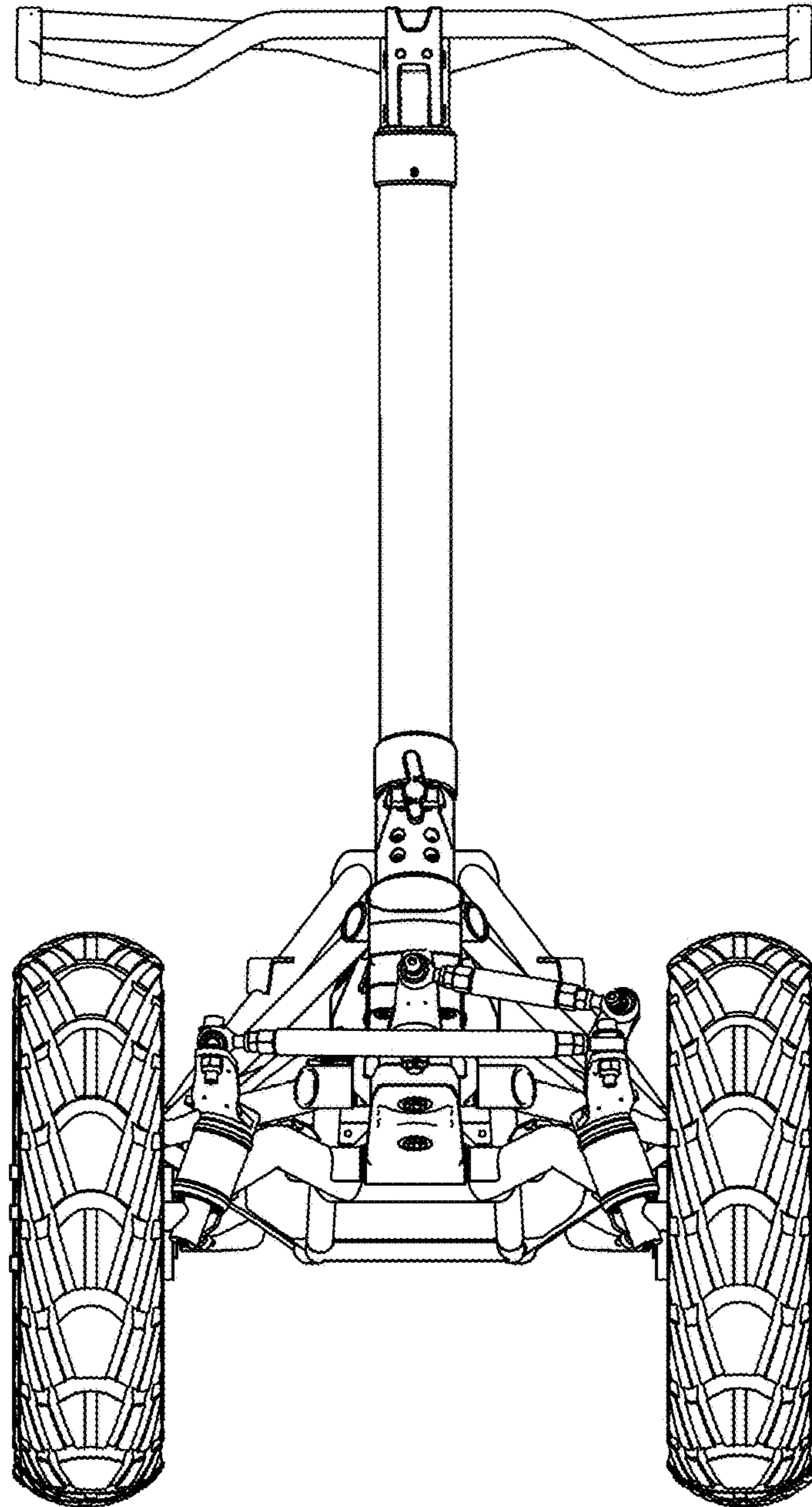


Fig. 6

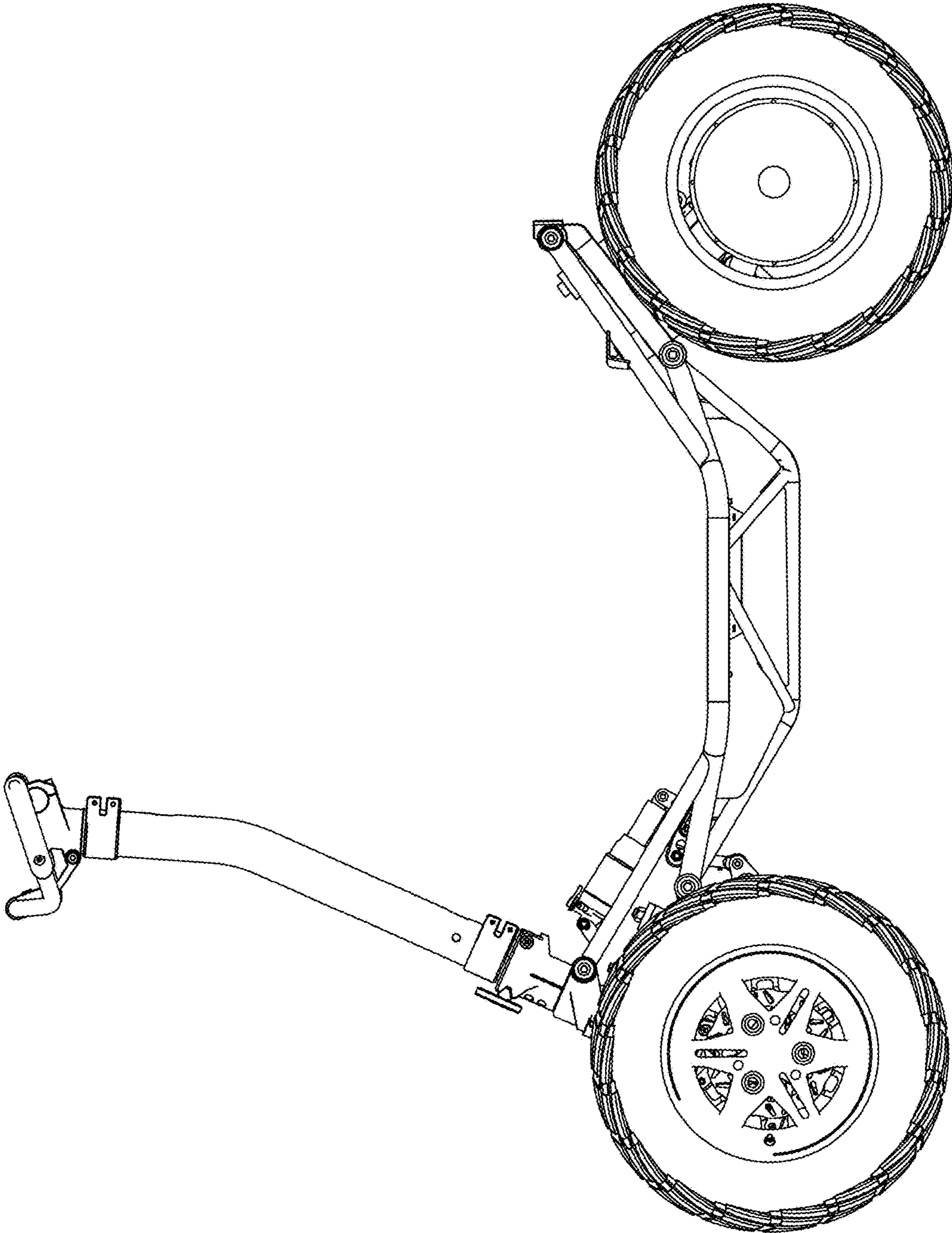


Fig. 7

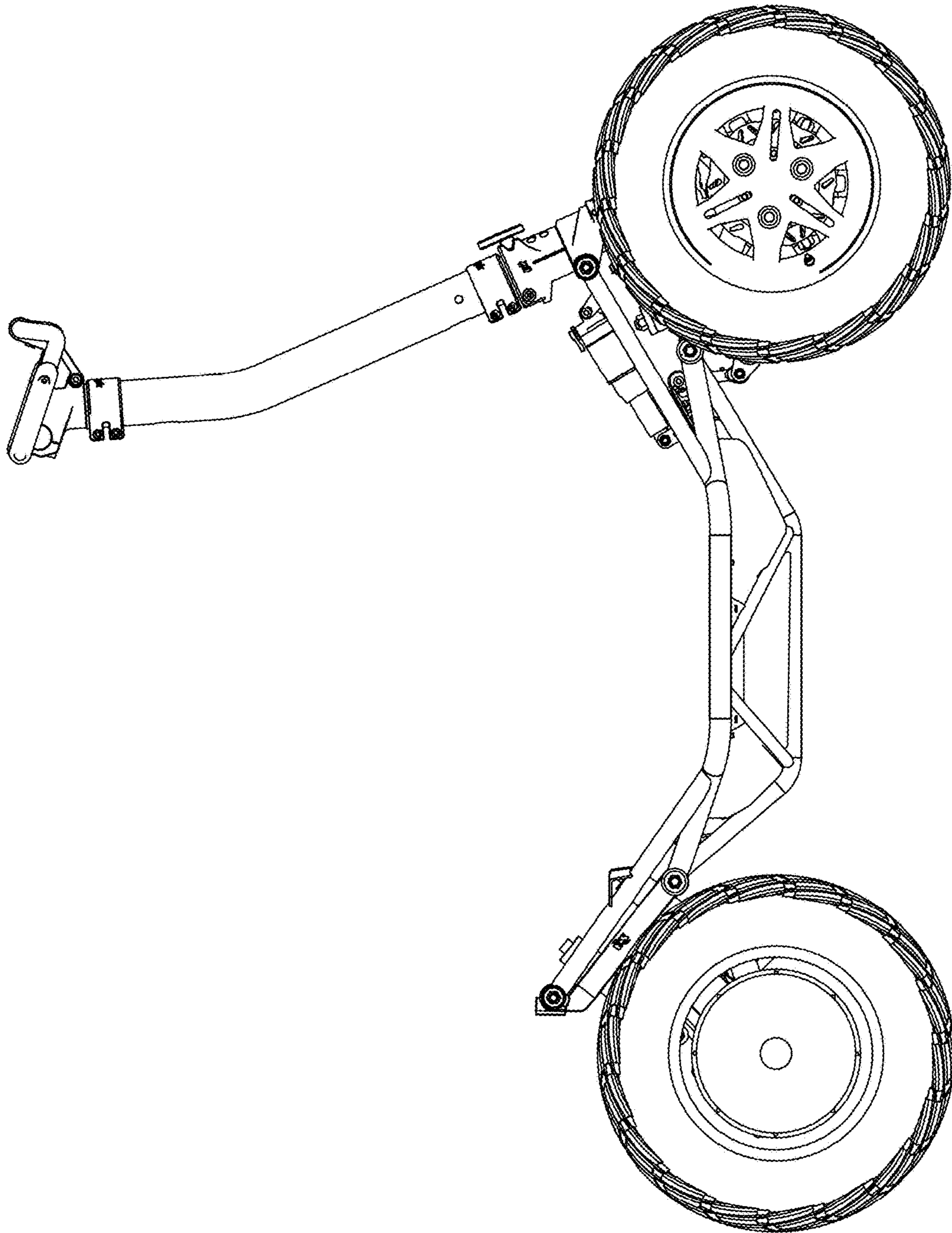


Fig. 8

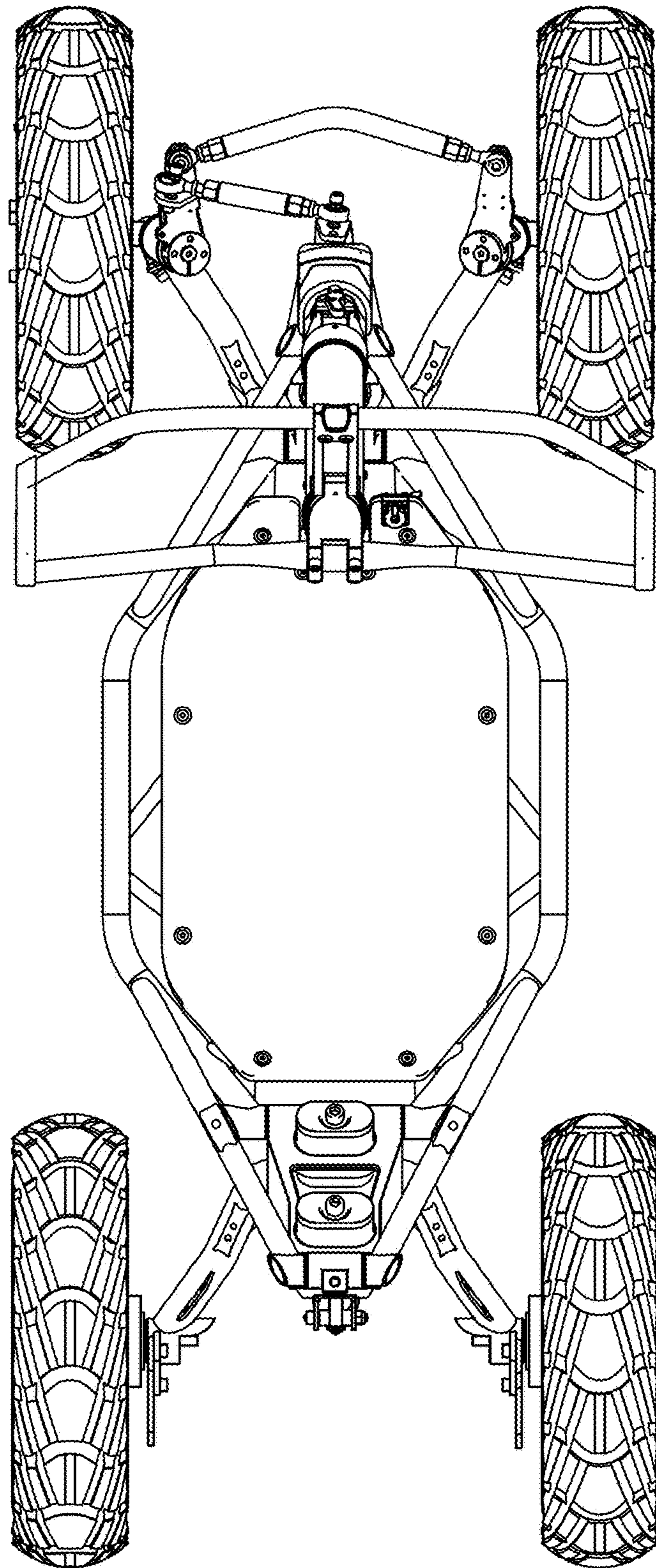


Fig. 9