



US00D845176S

(12) **United States Design Patent**
McElwain

(10) **Patent No.:** **US D845,176 S**

(45) **Date of Patent:** **** Apr. 9, 2019**

- (54) **TRAILER**
- (71) Applicant: **Jayme McElwain**, Butler, MO (US)
- (72) Inventor: **Jayme McElwain**, Butler, MO (US)
- (**) Term: **15 Years**
- (21) Appl. No.: **29/619,164**
- (22) Filed: **Sep. 27, 2017**
- (51) **LOC (11) Cl.** **12-10**
- (52) **U.S. Cl.**
USPC **D12/101**; D12/408
- (58) **Field of Classification Search**
USPC D12/93, 94, 95, 96, 97, 98, 99, 100, 101,
D12/102, 103, 104, 105, 106, 400, 406,
D12/408, 412, 413, 414, 414.1
CPC .. B60P 1/56; B60P 3/105; B60P 3/222; B60P
3/224; B62D 21/20; B62D 63/061; B23K
31/02
See application file for complete search history.

6,659,497 B1 *	12/2003	Owens	A22B 5/06 280/415.1
D518,758 S *	4/2006	Reese	D12/101
D574,755 S *	8/2008	Thurm	D12/101
D664,476 S *	7/2012	Fraley	D12/105
D667,757 S *	9/2012	Cooper	D12/101
D733,005 S *	6/2015	Erwin	D12/101
D738,806 S *	9/2015	Williamson	D12/221
D764,353 S *	8/2016	Lambert	D12/101
D779,380 S *	2/2017	van den Berg	D12/101
D823,732 S *	7/2018	Tran	D12/101
D826,786 S *	8/2018	Denton, III	D12/101

* cited by examiner

Primary Examiner — Darlington Ly
(74) *Attorney, Agent, or Firm* — Arthur K. Shaffer;
Intellectual Property Center, LLC

(57) **CLAIM**

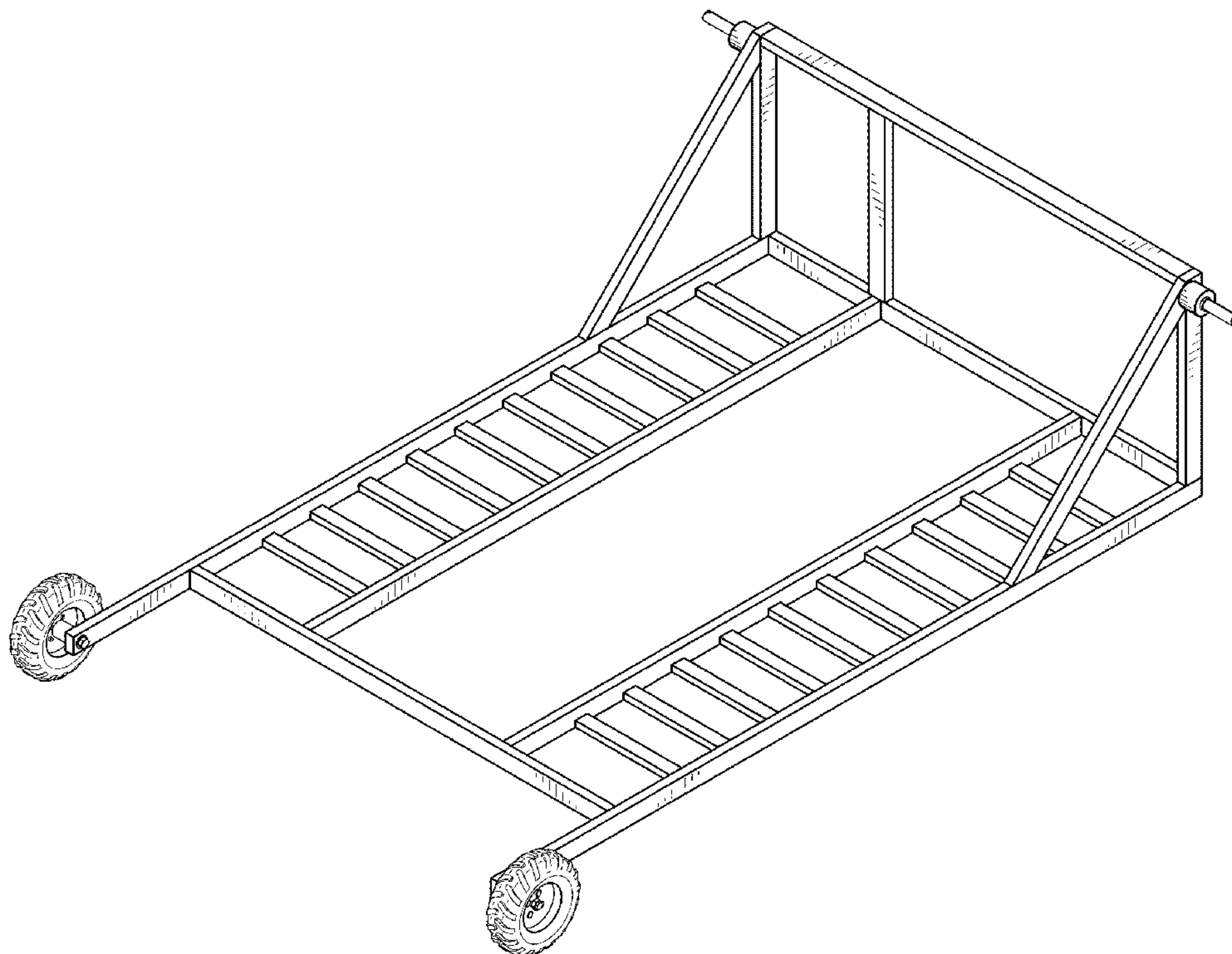
The ornamental design for a trailer, as shown and described herein.

DESCRIPTION

FIG. 1 is a side, top perspective view of the trailer in accordance with the new design;
FIG. 2 is a side elevation of the trailer in accordance with FIG. 1.
FIG. 3 is a top plan view of the trailer of FIG. 1;
FIG. 4 is a bottom plan view of the trailer of FIG. 1;
FIG. 5 is a front elevation of the trailer of FIG. 1; and,
FIG. 6 is the rear elevation of the trailer of FIG. 1.

1 Claim, 5 Drawing Sheets

- (56) **References Cited**
U.S. PATENT DOCUMENTS
- | | | | | |
|---------------|---------|-----------|-------|-----------------------|
| 3,797,850 A * | 3/1974 | Stout | | B62D 63/08
105/397 |
| 3,891,231 A * | 6/1975 | Snoberger | | B60G 11/04
267/271 |
| D417,172 S * | 11/1999 | Smith | | D12/101 |
| D418,451 S * | 1/2000 | Konecheck | | D12/101 |
| 6,068,282 A * | 5/2000 | Floe | | B62D 63/061
24/569 |



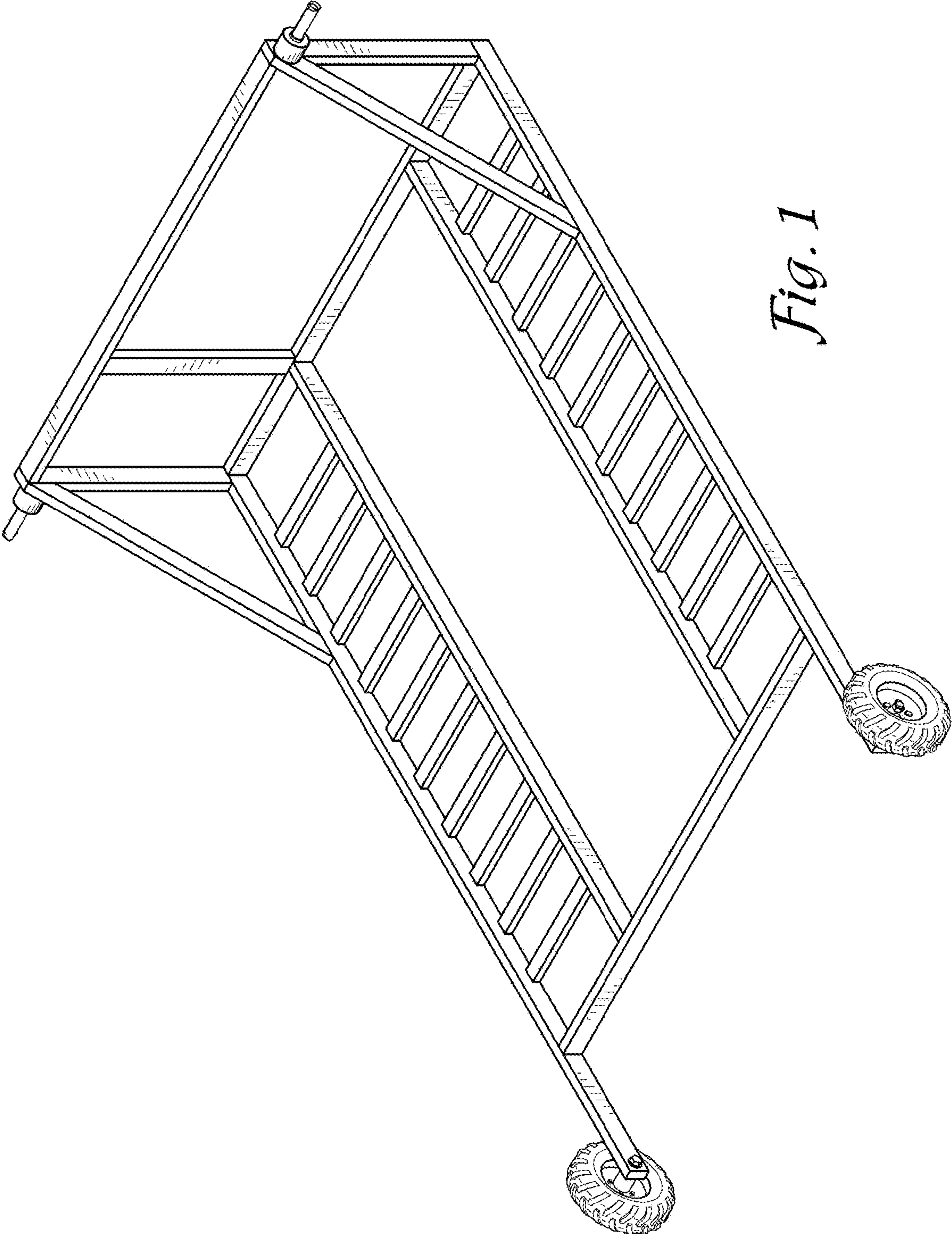


Fig. 1

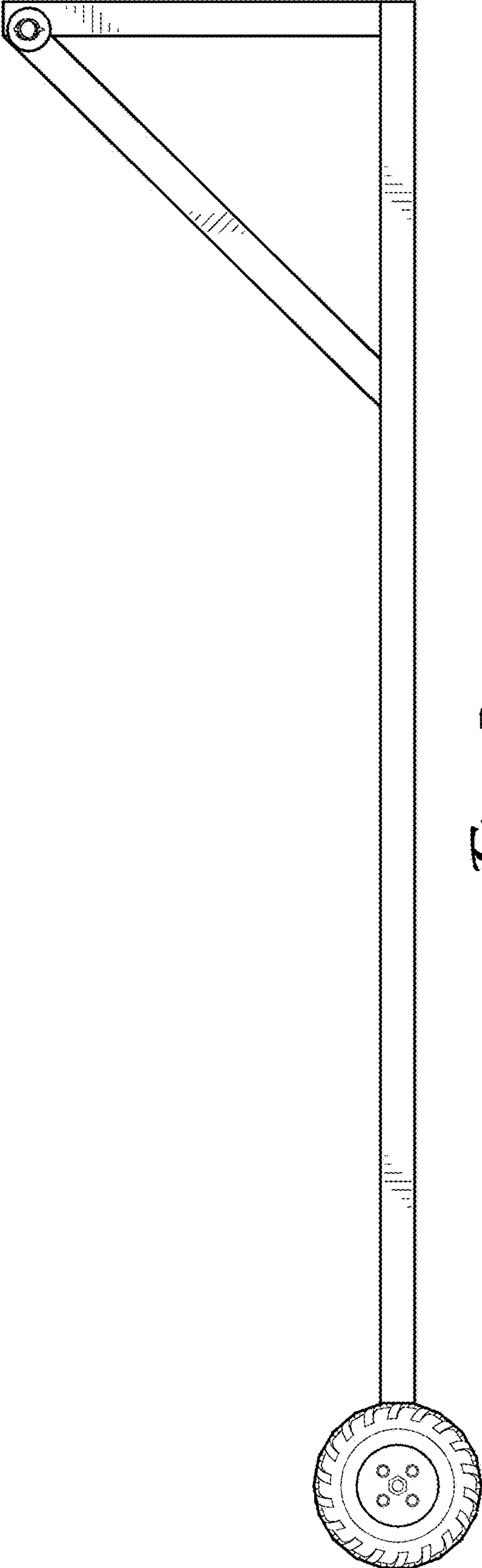


Fig. 2

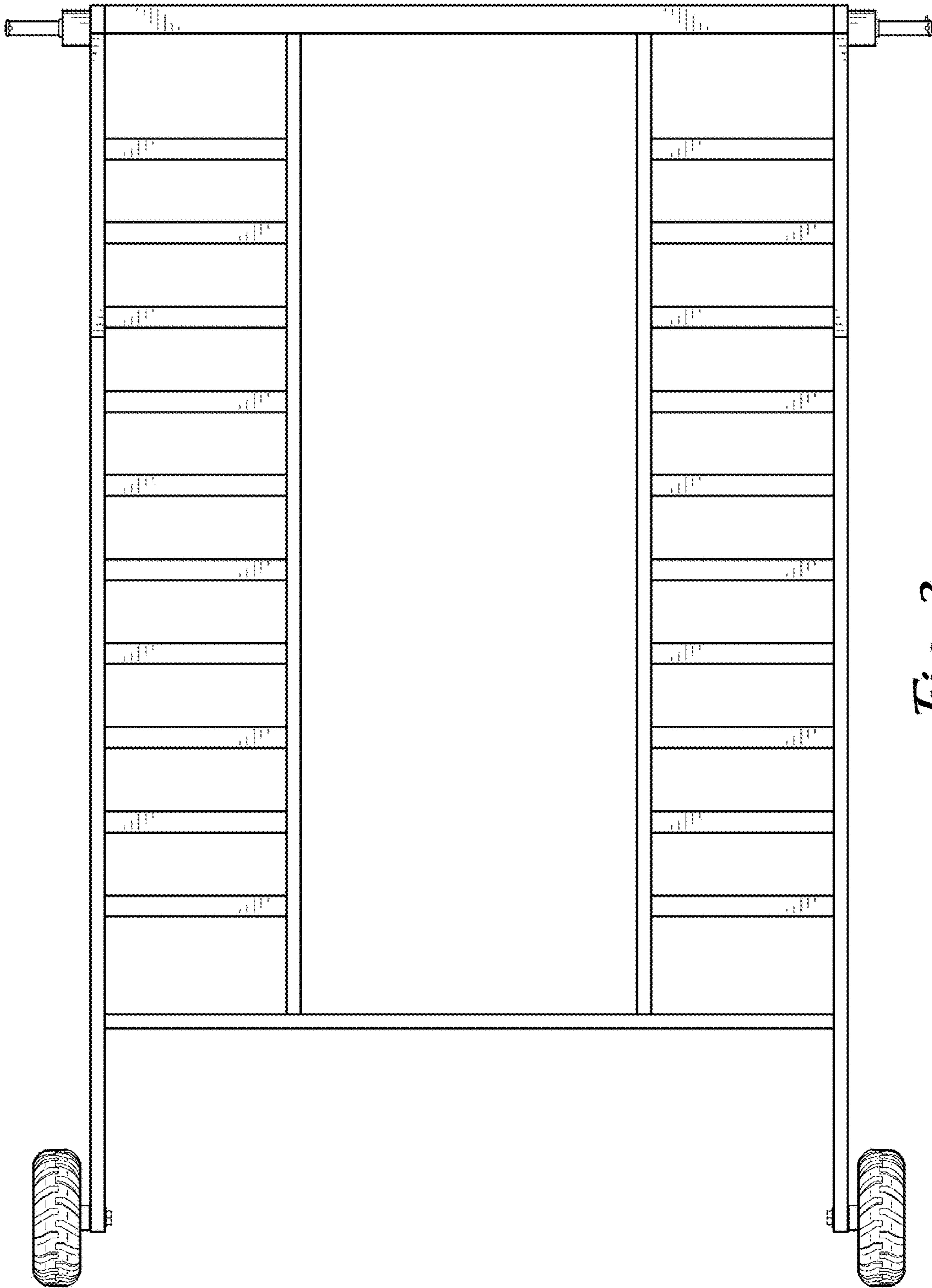


Fig. 3

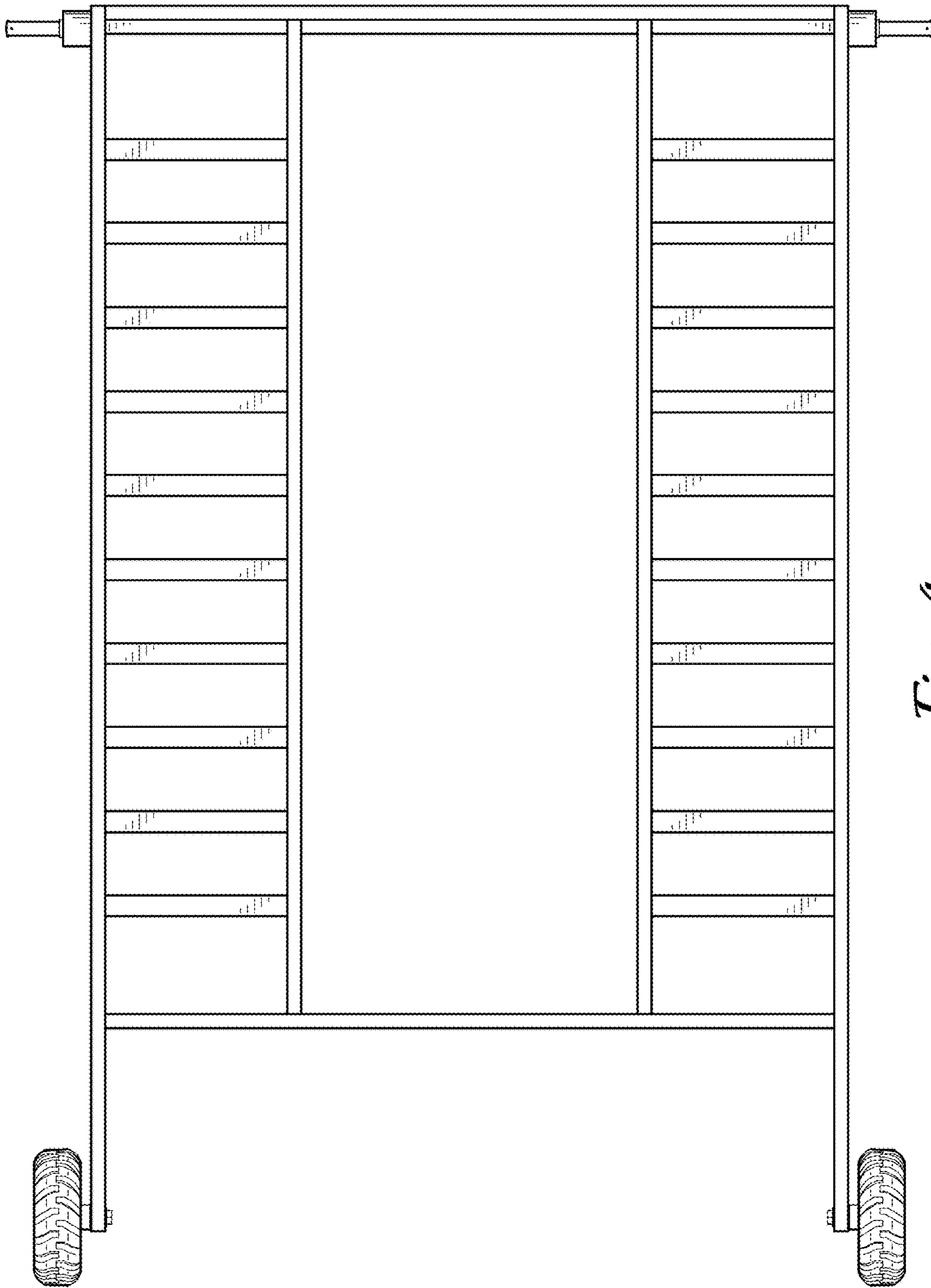


Fig. 4

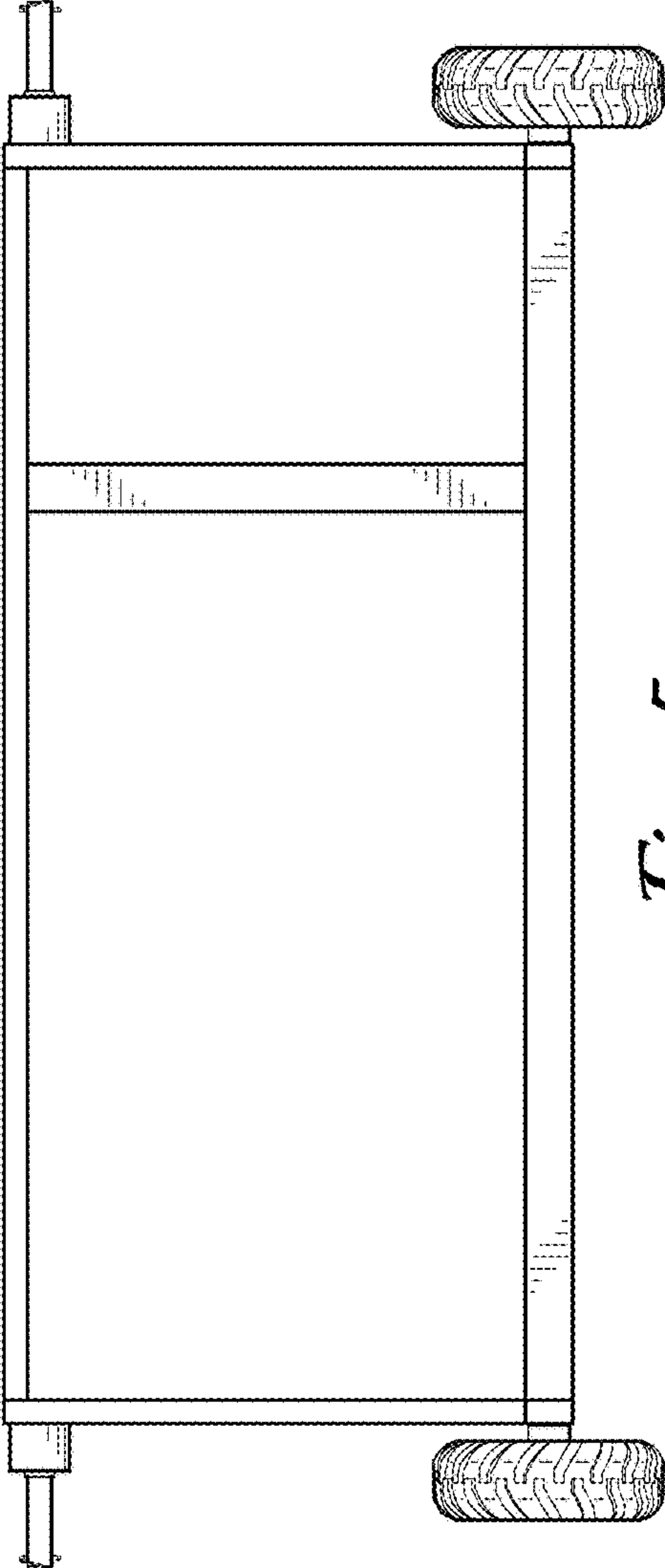


Fig. 5

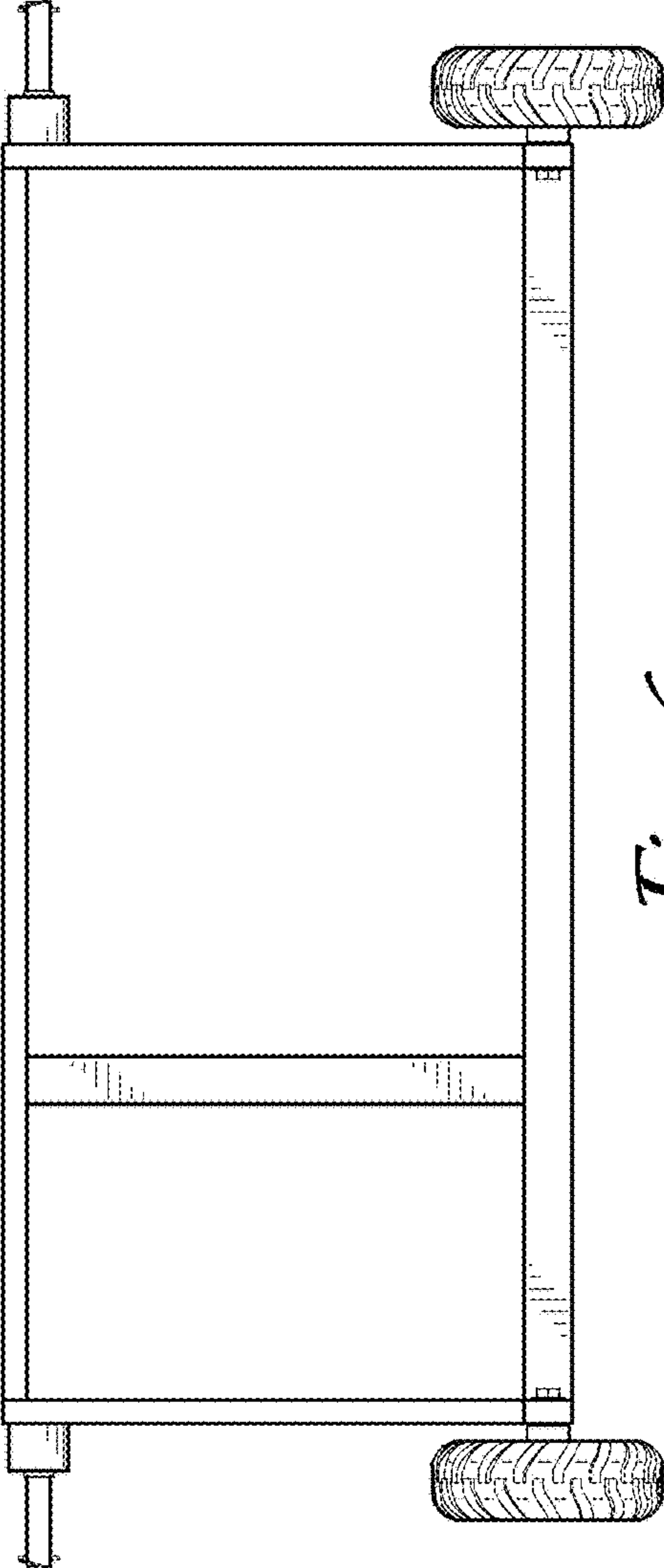


Fig. 6