



US00D845169S

(12) **United States Design Patent**
Cui et al.

(10) **Patent No.:** **US D845,169 S**

(45) **Date of Patent:** **** Apr. 9, 2019**

- (54) **UNMANNED AERIAL VEHICLE**
- (71) Applicants: **BEIJING JINGDONG SHANGKE INFORMATION TECHNOLOGY CO, LTD., Beijing (CN); BEIJING JINGDONG CENTURY TRADING CO., LTD., Beijing (CN)**
- (72) Inventors: **Yanjun Cui, Beijing (CN); Chengbin Liu, Beijing (CN)**
- (73) Assignees: **BEIJING JINGDONG SHANGKE INFORMATION TECHNOLOGY CO, LTD. (CN); BEIJING JINGDONG CENTURY TRADING CO., LTD. (CN)**

D273,005 S *	3/1984	McComas	D12/335
D326,255 S *	5/1992	Graham	D12/319
D371,105 S *	6/1996	Graham	D12/319
D458,892 S *	6/2002	DeTore	D12/319
D461,159 S *	8/2002	Miralles	D12/319
D466,858 S *	12/2002	Carroll	D12/337
D543,248 S *	5/2007	Winston	D21/450
D616,804 S *	6/2010	Manley	D12/319
D628,528 S *	12/2010	Cabezas Carrasco	D12/319
D642,968 S *	8/2011	Zhao	D12/344
D665,331 S *	8/2012	Sands	D12/319
D710,782 S *	8/2014	Cummings	D12/326
D733,029 S *	6/2015	Dutertre	D12/319
D736,140 S *	8/2015	Moller	D12/326
D743,868 S *	11/2015	Cummings	D12/328
D760,638 S *	7/2016	Beskar	D12/344
D763,733 S *	8/2016	Gattelli	D12/16.1

(Continued)

- (**) Term: **15 Years**
- (21) Appl. No.: **29/606,737**
- (22) Filed: **Jun. 7, 2017**

(30) **Foreign Application Priority Data**

Dec. 9, 2016 (CN) 2016 3 0603905

- (51) **LOC (11) Cl.** **12-07**
- (52) **U.S. Cl.**
USPC **D12/16.1; D12/326**
- (58) **Field of Classification Search**
USPC D12/16.1, 319, 325, 326, 327, 328,
D12/329-345; D21/436, 441, 442, 443,
D21/444, 445-453
CPC B64C 39/024; B64C 2201/141; B64C
2201/00; B64C 2201/108
See application file for complete search history.

(56) **References Cited**

U.S. PATENT DOCUMENTS

D101,928 S *	11/1936	Wilson	D12/331
D139,438 S *	11/1944	Hughes et al.	244/13

OTHER PUBLICATIONS

JD.com has sky-high ambitions for drone deliveries by Gong Zhe. dated Jun. 9, 2017. found online [Nov. 12, 2018] https://news.cgtn.com/news/3d51544f7949444e/share_p.html.*

Primary Examiner — Marissa J Cash
(74) *Attorney, Agent, or Firm* — Saidman DesignLaw Group, LLC

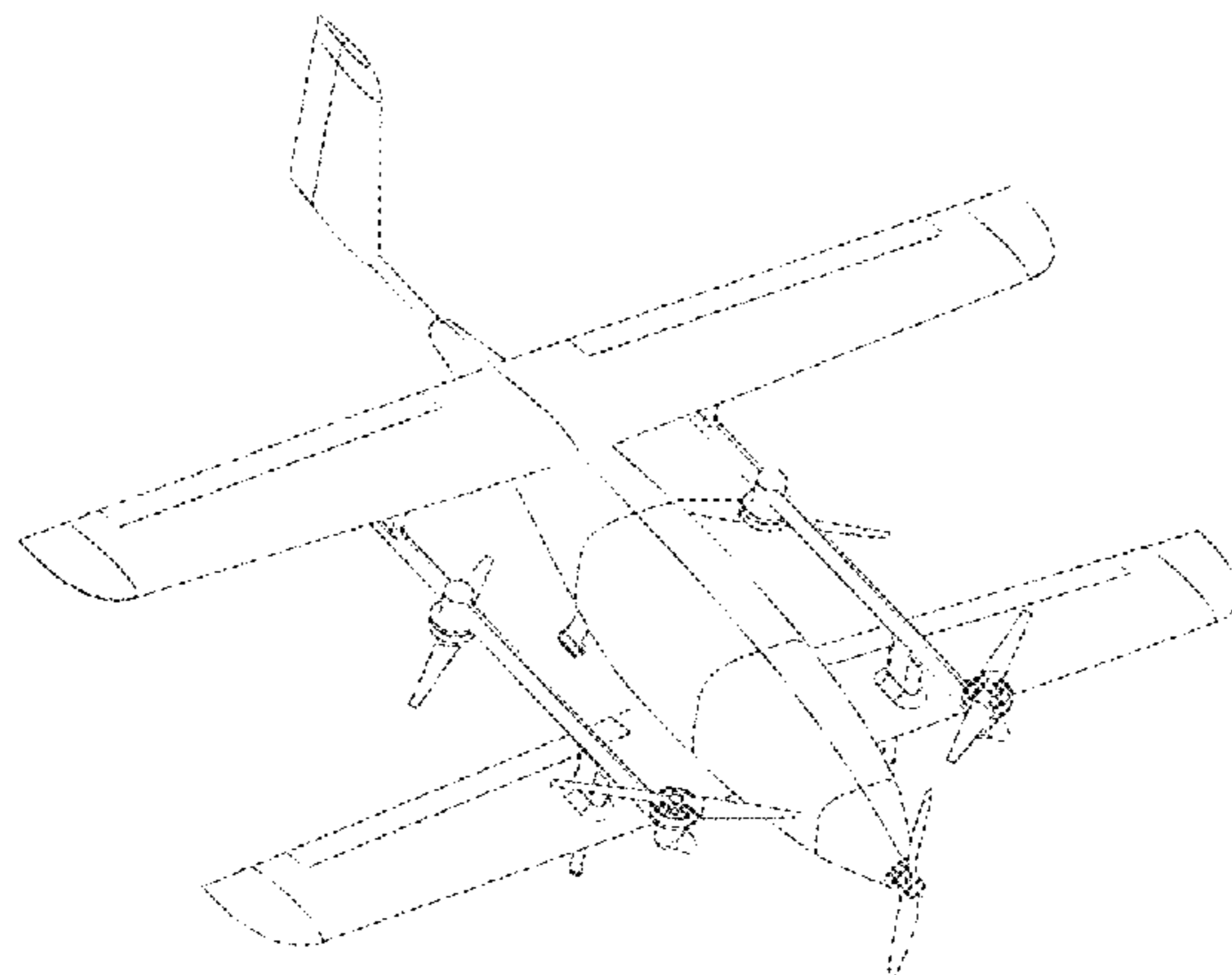
(57) **CLAIM**

The ornamental design for an unmanned aerial vehicle, as shown and described.

DESCRIPTION

FIG. 1 is a perspective view of an unmanned aerial vehicle showing our new design;
FIG. 2 is a front view thereof;
FIG. 3 is a rear view thereof;
FIG. 4 is a left side view thereof;
FIG. 5 is a right side view thereof;
FIG. 6 is a top view thereof; and,
FIG. 7 is a bottom view thereof.

1 Claim, 7 Drawing Sheets



(56)

References Cited

U.S. PATENT DOCUMENTS

9,505,484 B1 * 11/2016 Al-Sabah B64C 3/38
D795,160 S * 8/2017 Koppenwallner D12/343
D799,402 S * 10/2017 Cummings D12/327
D807,273 S * 1/2018 Koppenwallner D12/337
D813,143 S * 3/2018 Belik D12/326
D832,141 S * 10/2018 Ferner D12/16.1
2010/0243821 A1 * 9/2010 Lim B64C 27/08
244/7 A
2015/0014482 A1 * 1/2015 Weierman H02S 10/40
244/124
2017/0003690 A1 * 1/2017 Tanahashi G05D 1/0011

* cited by examiner

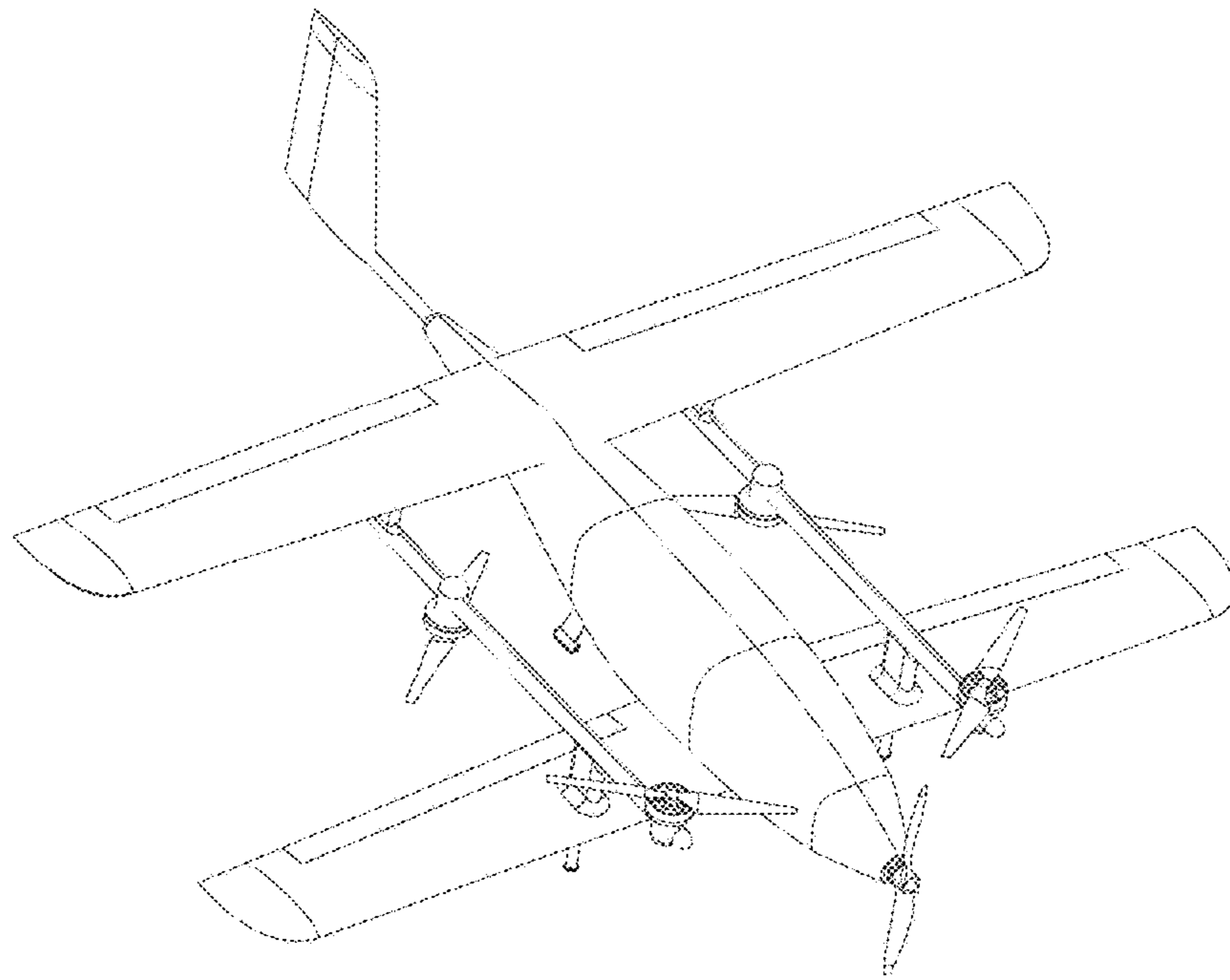


FIG. 1

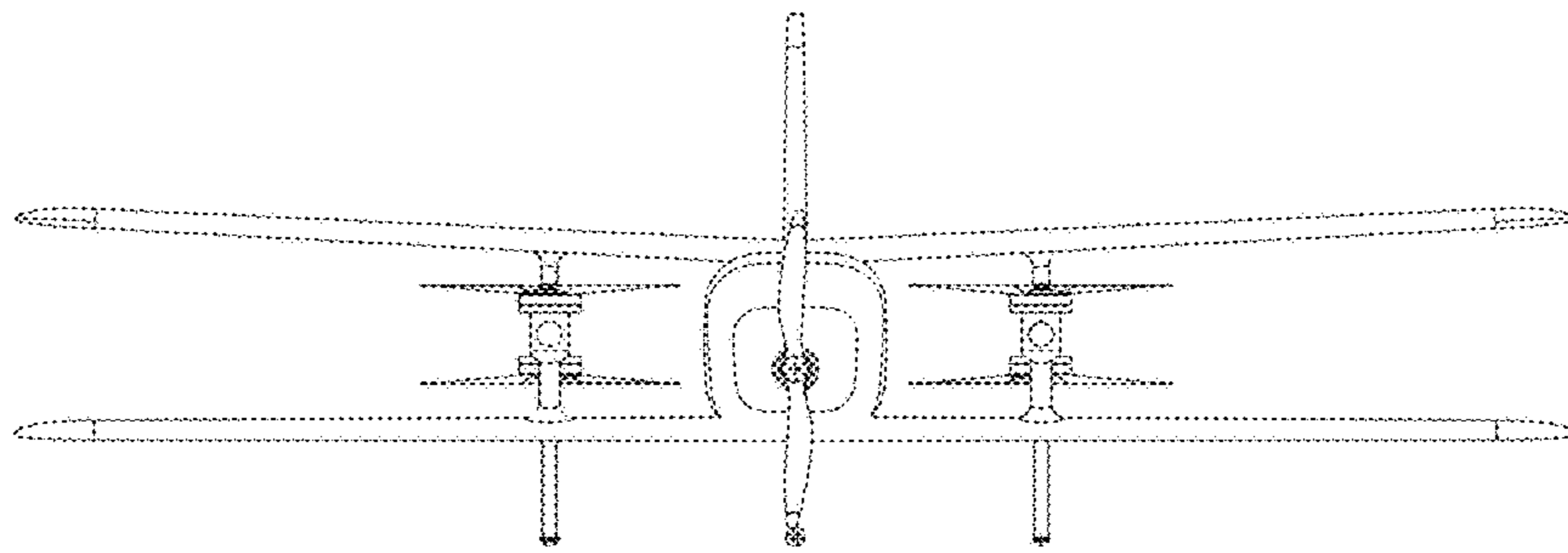


FIG. 2

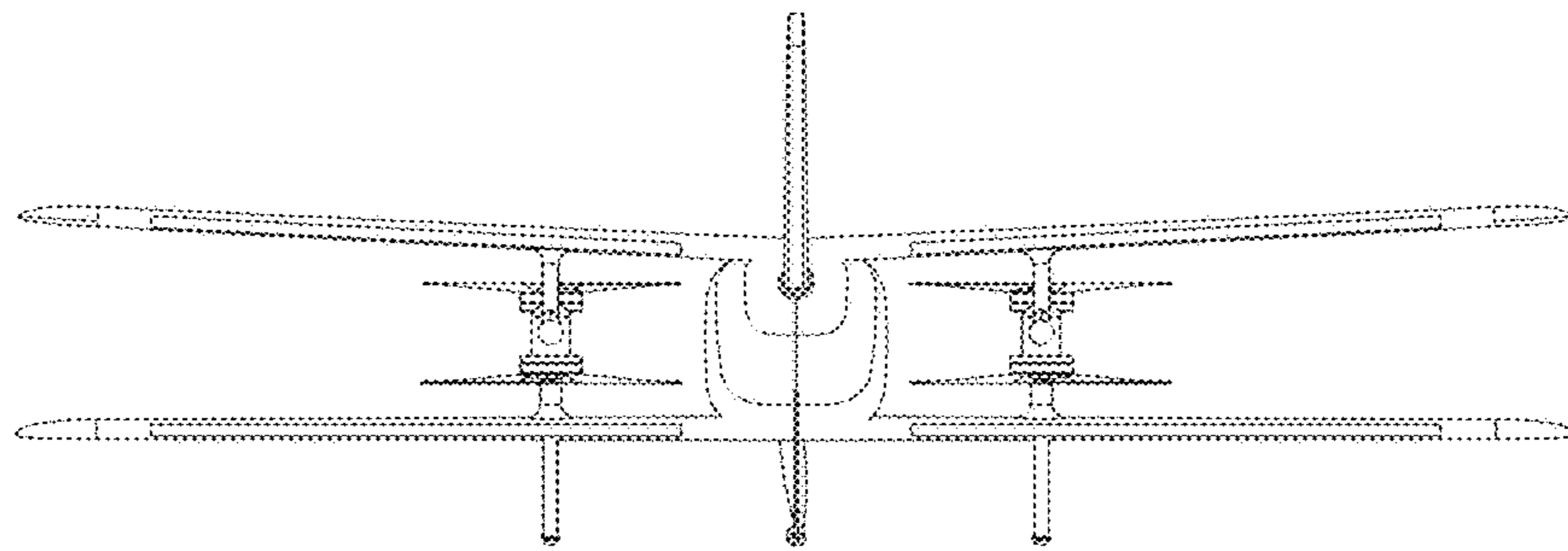


FIG. 3

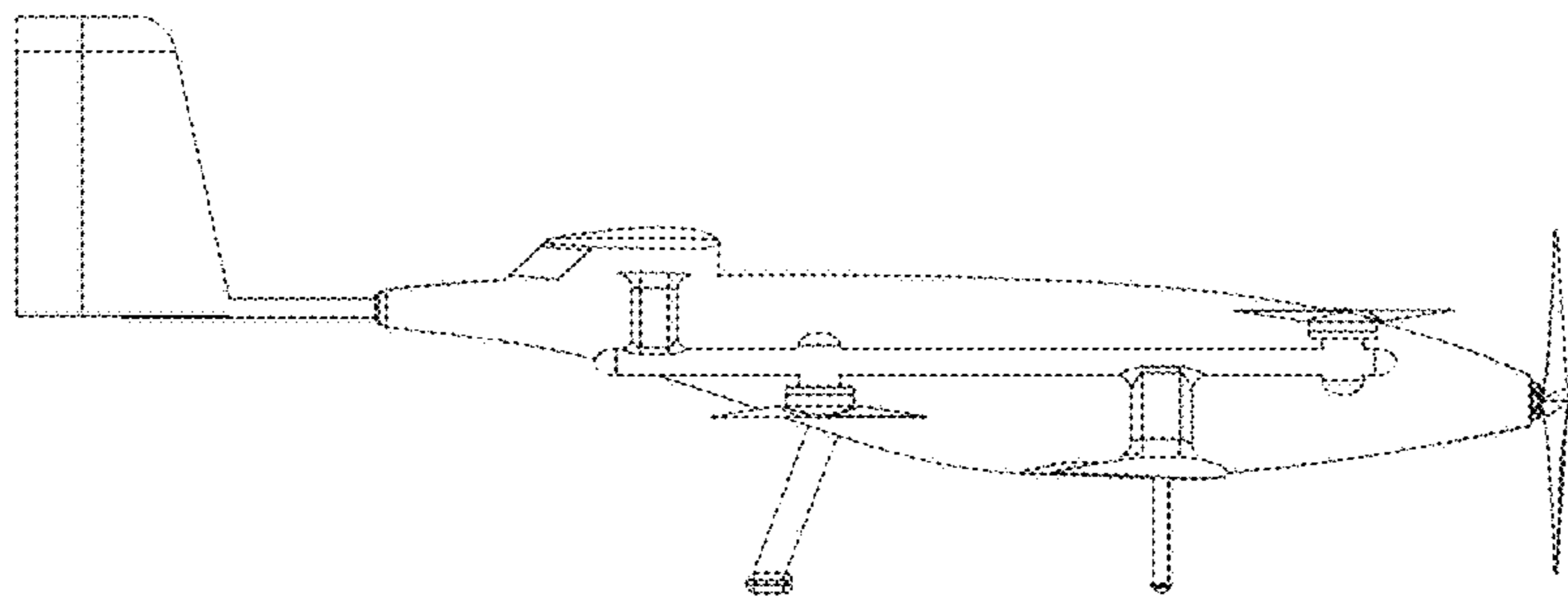


FIG. 4

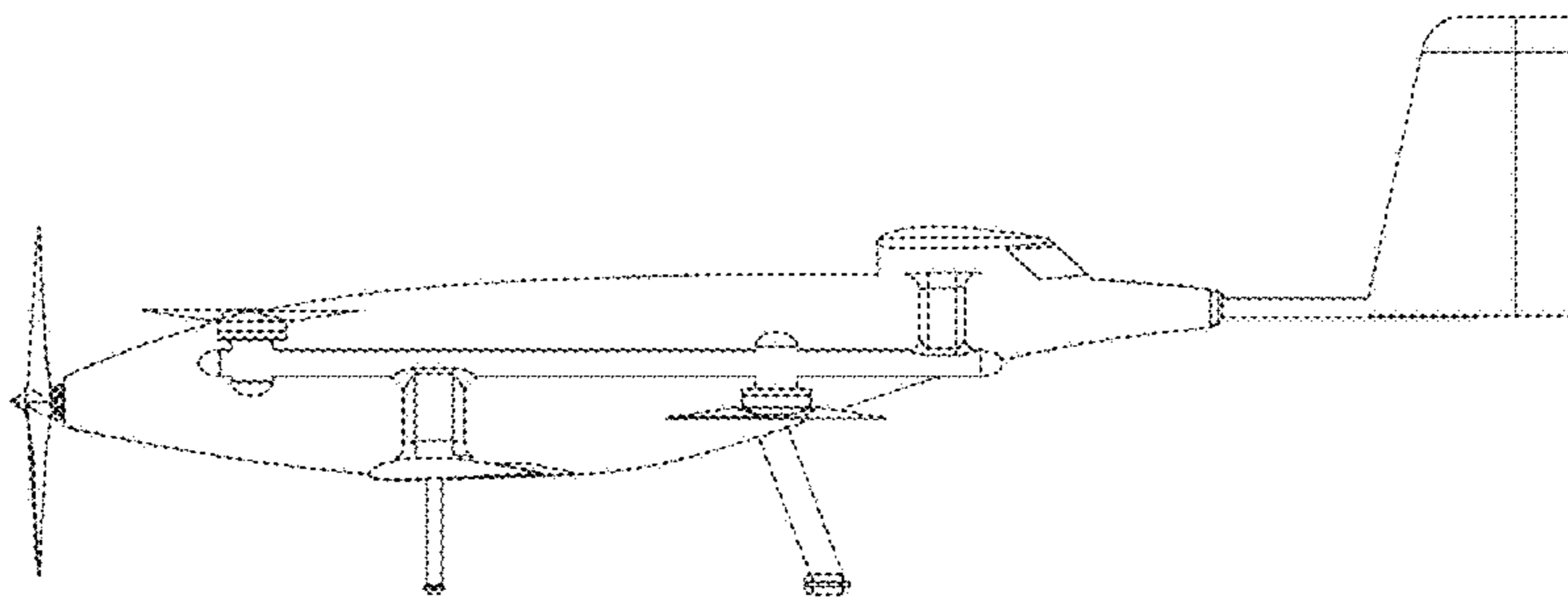


FIG. 5

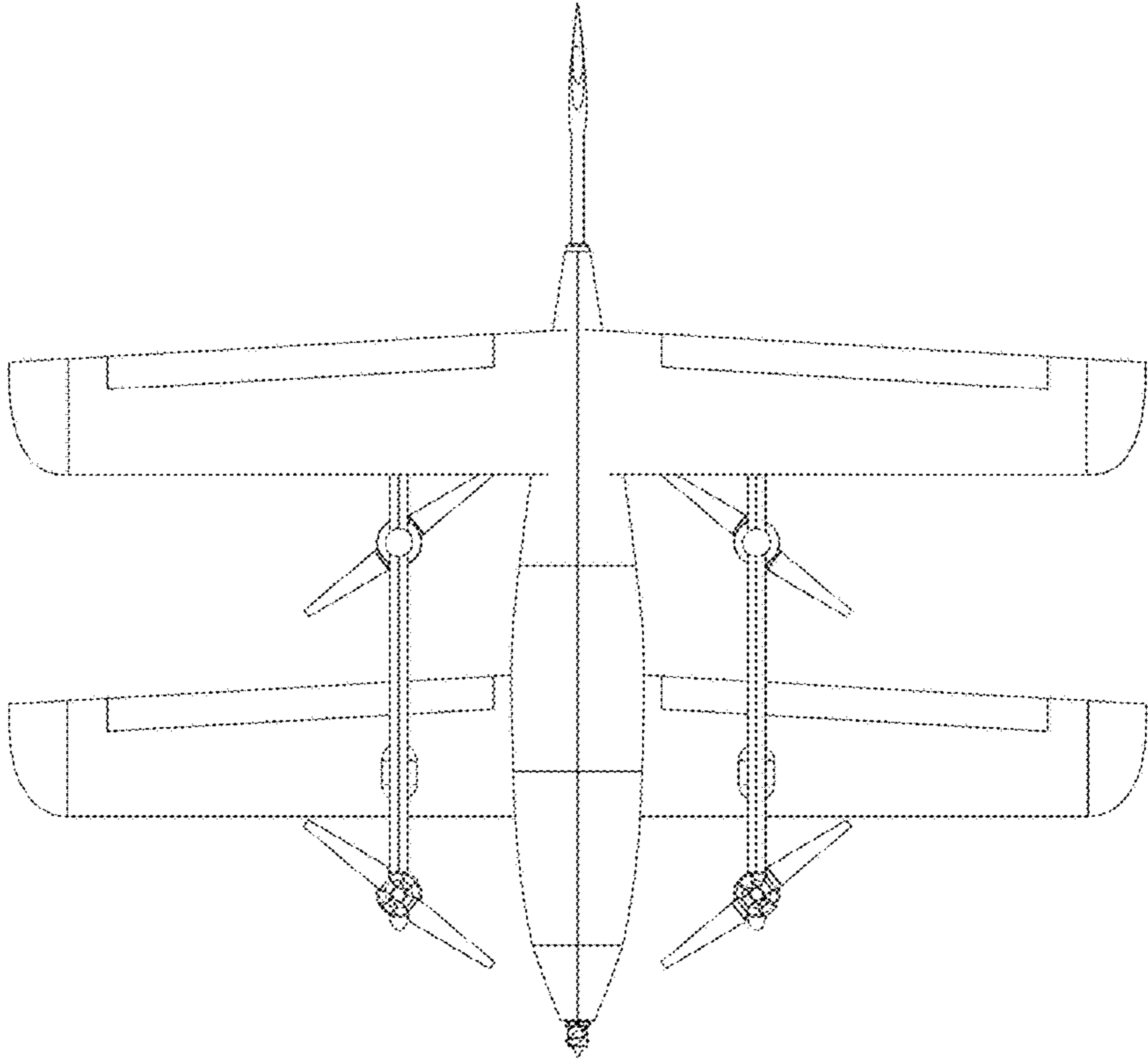


FIG. 6

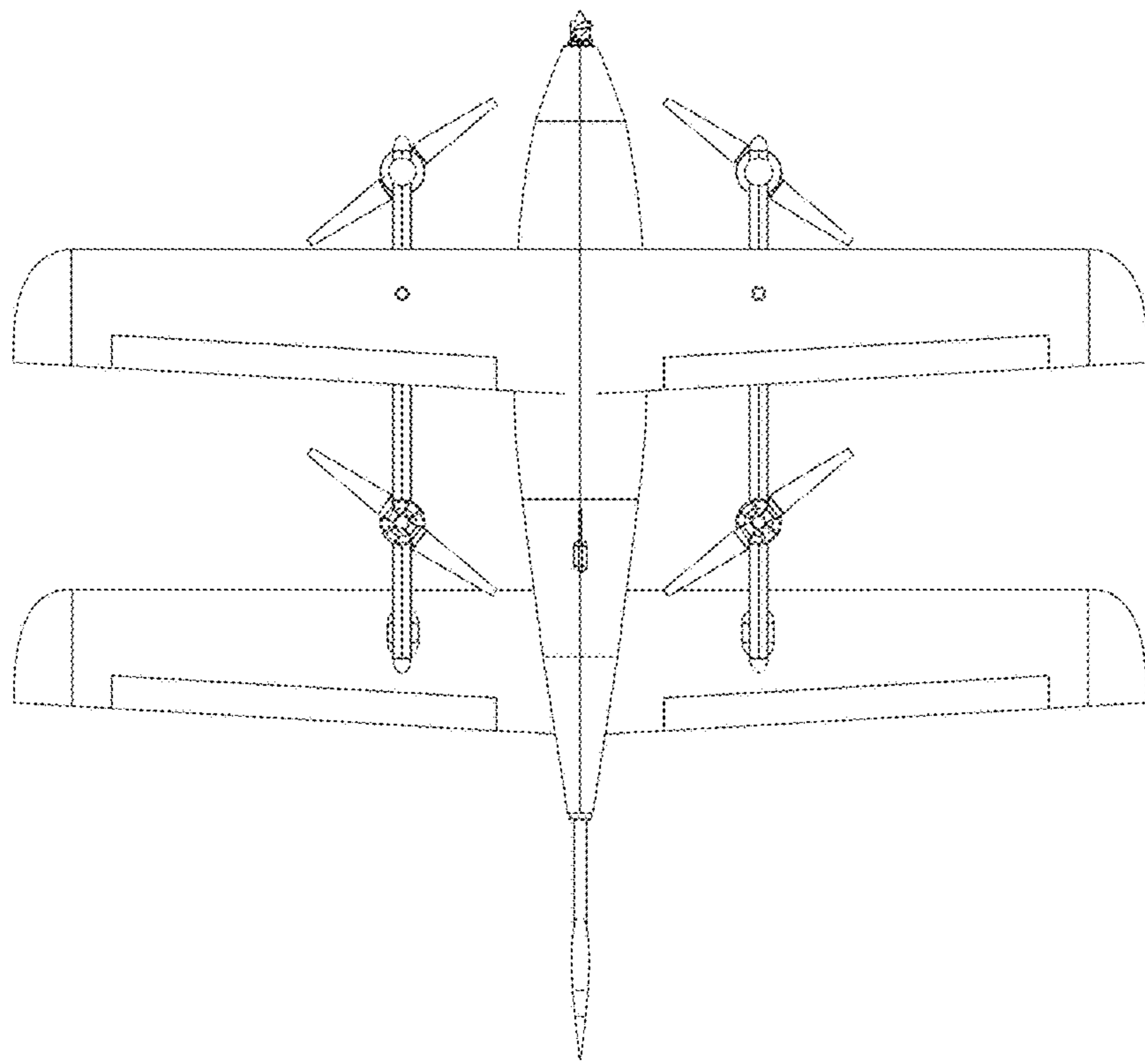


FIG. 7