



US00D845168S

(12) **United States Design Patent** (10) **Patent No.:** **US D845,168 S**
Paik et al. (45) **Date of Patent:** **** Apr. 9, 2019**

(54) **MAGNET BUCKLE**

(71) Applicant: **WOJIN PLASTIC CO., LTD**,
Guri-si, Gyeonggi-do (KR)

(72) Inventors: **Jisook Paik**, Seoul (KR); **Nan Hee Paik**, Seoul (KR); **Ji Hye Paik**, Seoul (KR); **Ji Won Son**, Seoul (KR)

(73) Assignee: **WOJIN PLASTIC CO., LTD**,
Guri-si (KR)

(**) Term: **15 Years**

(21) Appl. No.: **29/571,193**

(22) Filed: **Jul. 15, 2016**

(30) **Foreign Application Priority Data**

May 10, 2016 (KR) 30-2016-0021862

(51) **LOC (11) Cl.** **02-07**

(52) **U.S. Cl.**
USPC **D11/216**

(58) **Field of Classification Search**
USPC D11/1-2, 200-201, 206-210, 214-218;
24/163 R, 169-171, 173, 177-179, 191,
24/194-195, 197, 200, 614-616, 625,
24/198, 578.11, 578.1, 163 K, 114;
D2/853, 624
CPC A44B 11/26; A44B 11/25; A44B 11/06;
A44B 11/266; A44B 11/04; A44B 11/01;
A44B 11/001; A44B 11/10
See application file for complete search history.

D352,680 S * 11/1994 Matoba D11/200
D362,741 S * 10/1995 Hollinger D11/200
D618,590 S * 6/2010 Paik D11/216
D638,332 S * 5/2011 Fair D11/216
D671,443 S * 11/2012 Paik D11/216
D700,540 S * 3/2014 Kaneko D11/216
D701,792 S * 4/2014 Kelleghan D11/216
D764,348 S * 8/2016 Paik D11/216
D778,778 S * 2/2017 Paik D11/216

* cited by examiner

Primary Examiner — Ralf Seifert

(74) *Attorney, Agent, or Firm* — Novick, Kim & Lee, PLLC; Jae Youn Kim

(57) **CLAIM**

We claim, the ornamental design for a magnet buckle, as shown and described.

DESCRIPTION

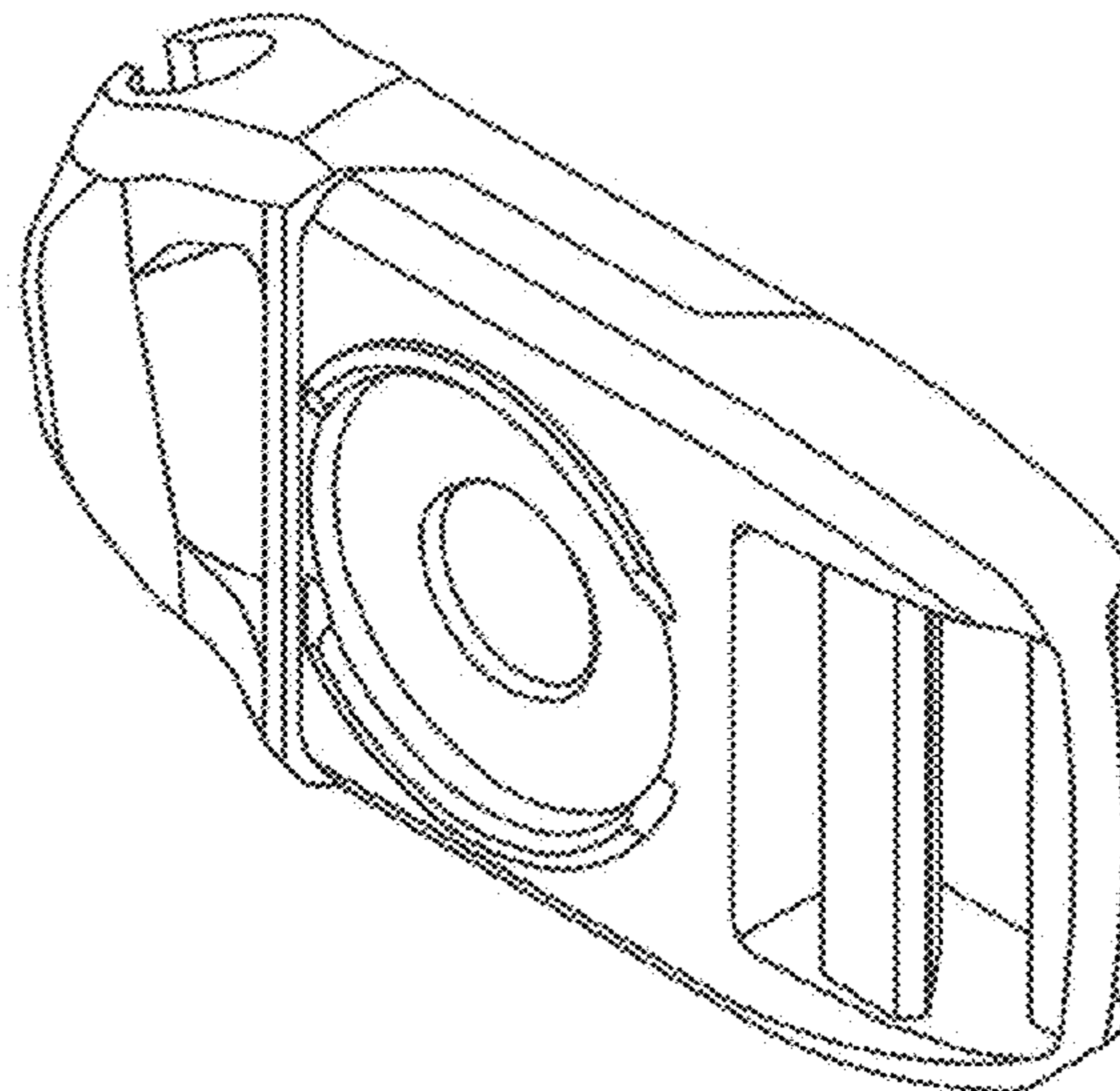
FIG. 1 is a perspective view of a magnet buckle, showing our new design;
FIG. 2 is a front elevational view thereof;
FIG. 3 is a rear elevational view thereof;
FIG. 4 is a left side elevational view thereof;
FIG. 5 is a right side elevational view thereof;
FIG. 6 is a top plan view thereof;
FIG. 7 is a bottom plan view thereof; and,
FIG. 8 is a sectional view thereof along line 8-8 as shown in FIG. 2.
FIG. 9 is a reference view showing a disassembled state of the magnet buckle, which forms no part of the claimed design.

1 Claim, 5 Drawing Sheets

(56) **References Cited**

U.S. PATENT DOCUMENTS

D343,144 S * 1/1994 Matoba D11/216
D349,871 S * 8/1994 Murai D11/200



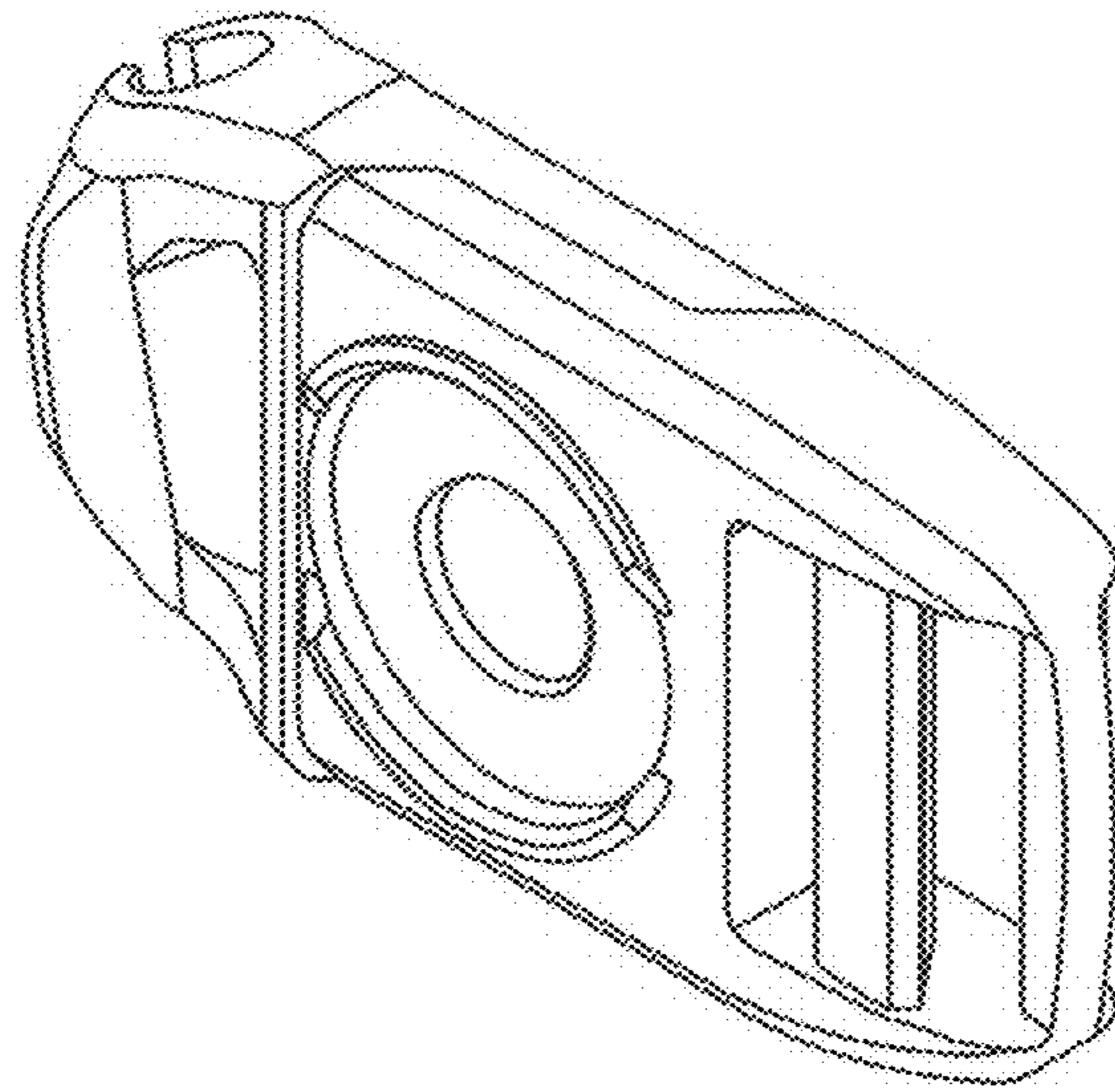


FIG. 1

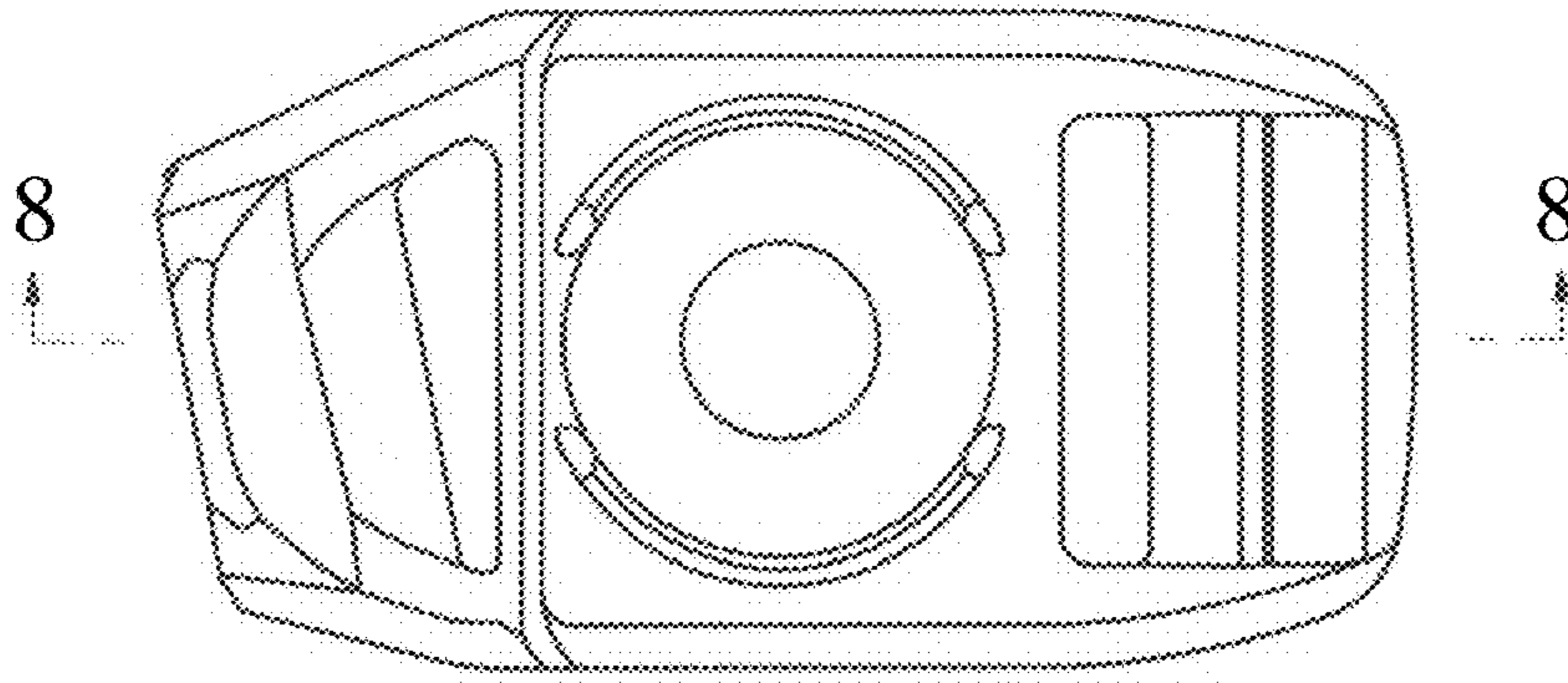


FIG. 2

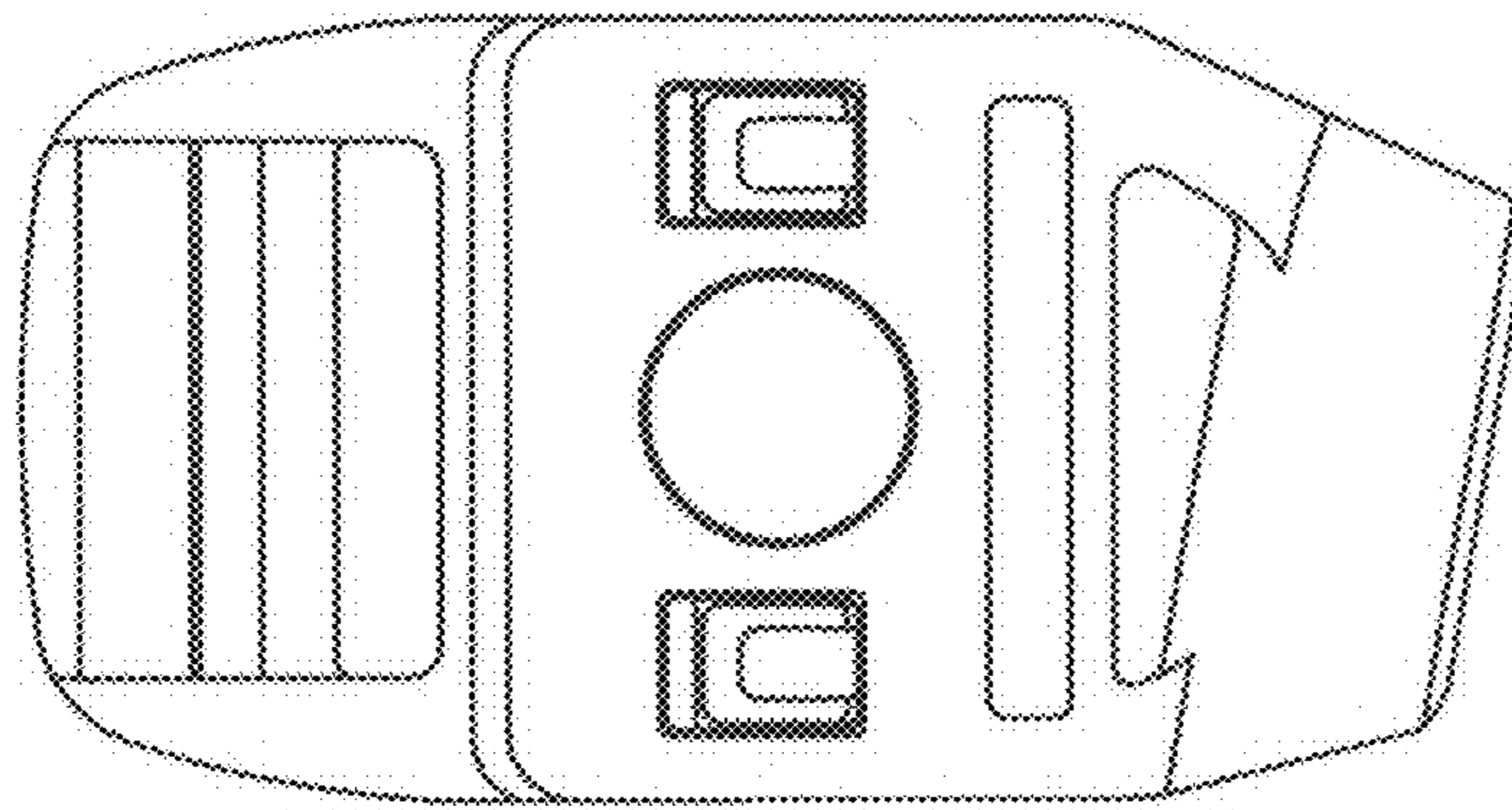


FIG. 3

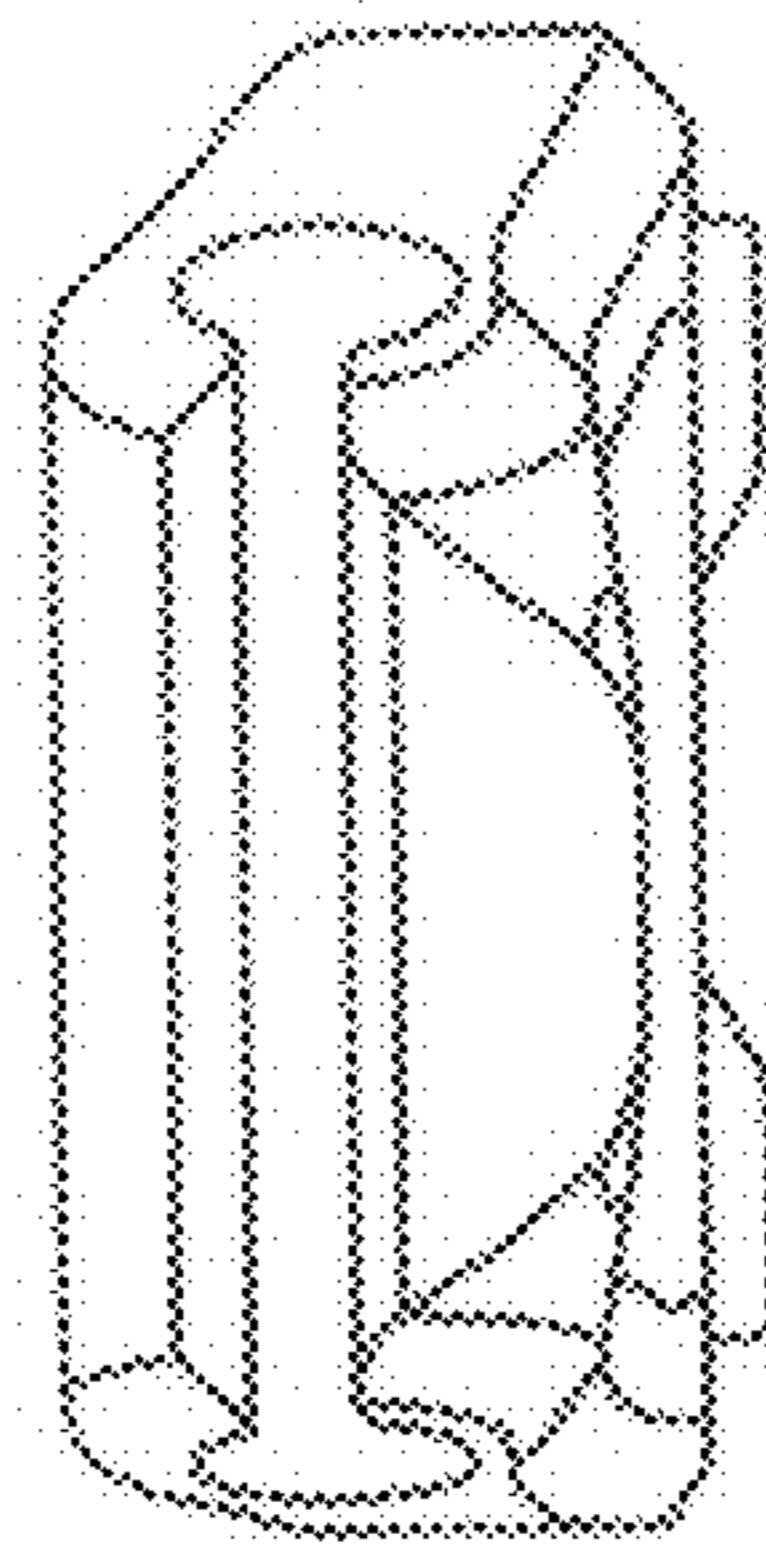


FIG. 4

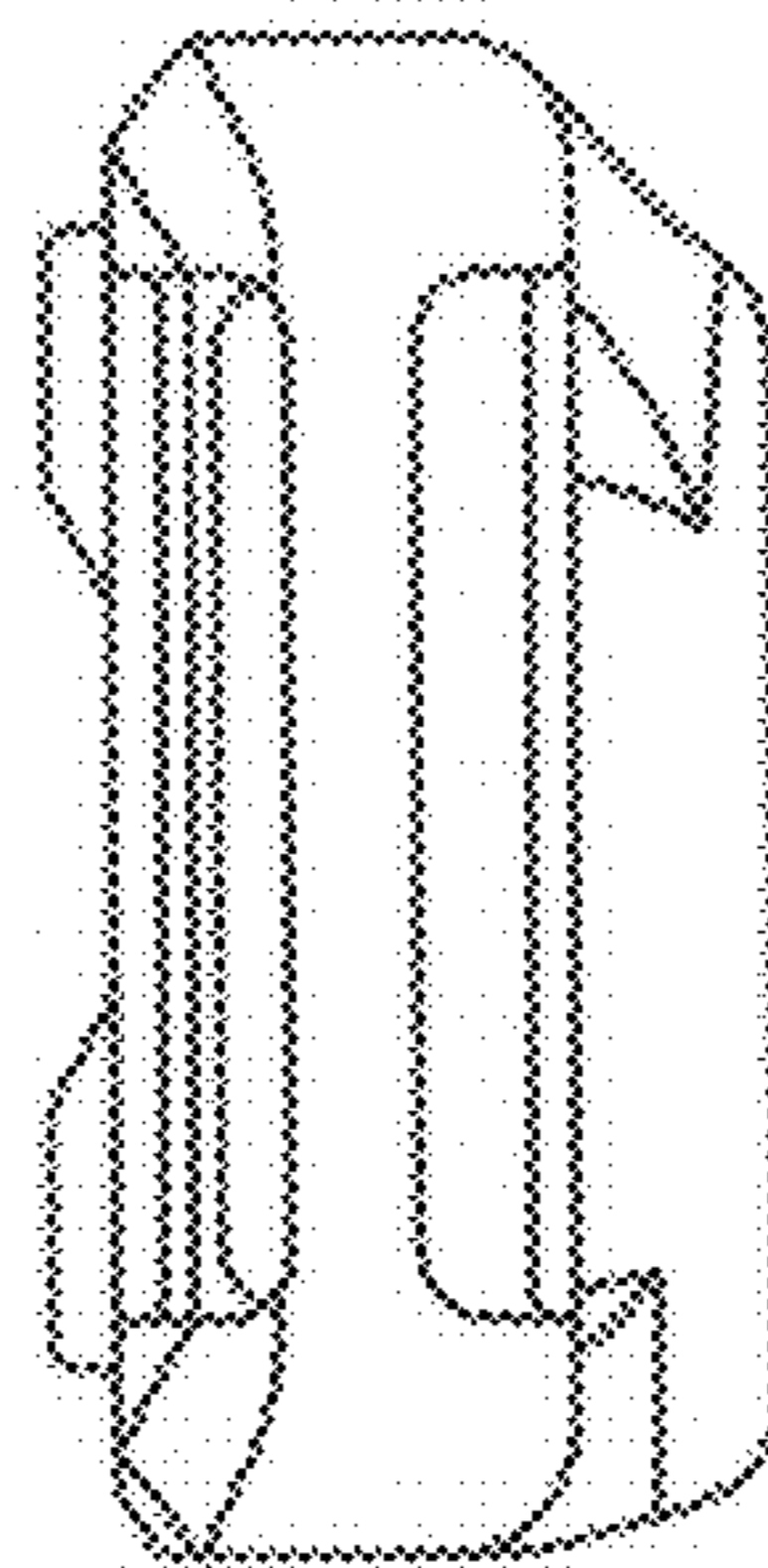


FIG. 5

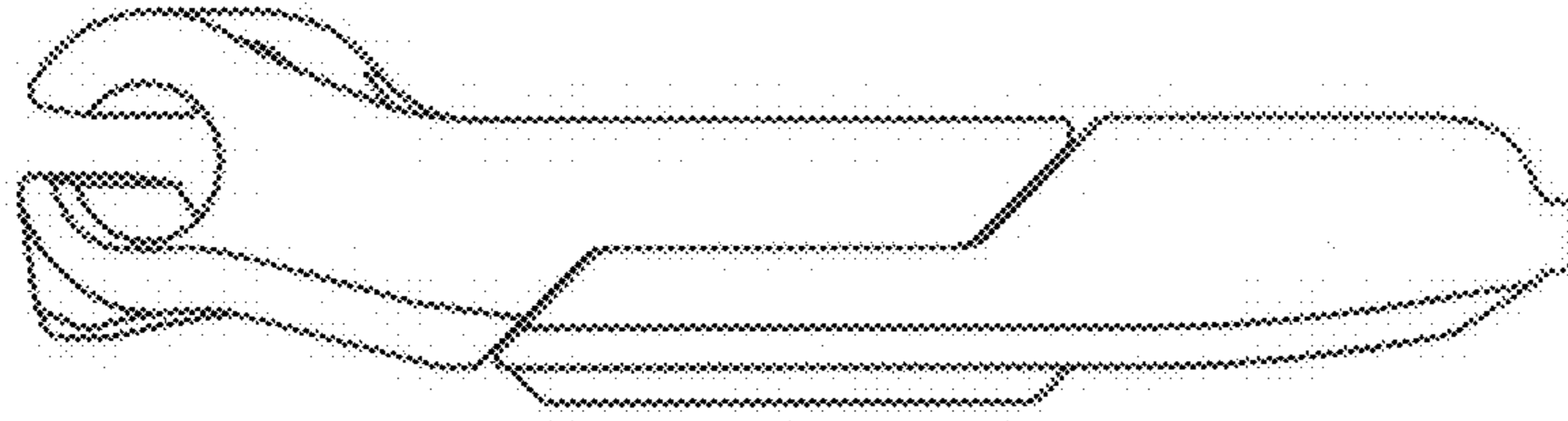


FIG. 6

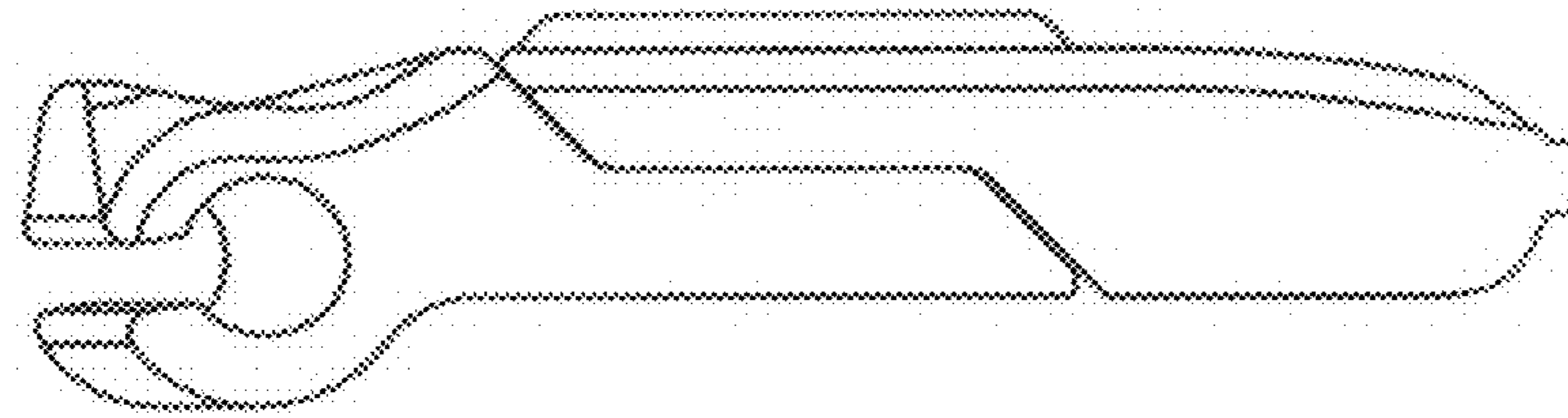


FIG. 7

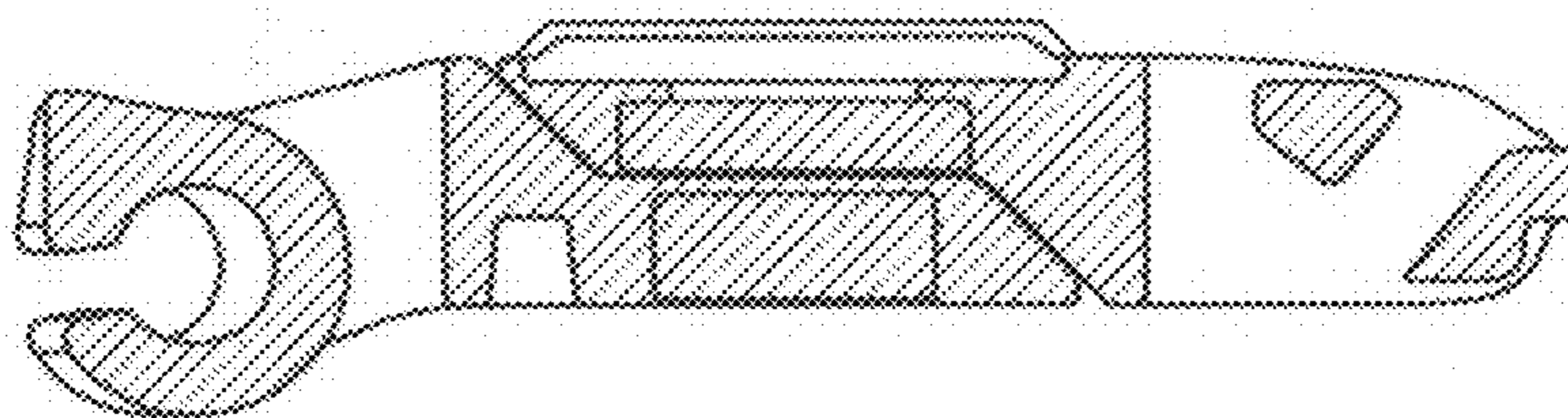


FIG. 8

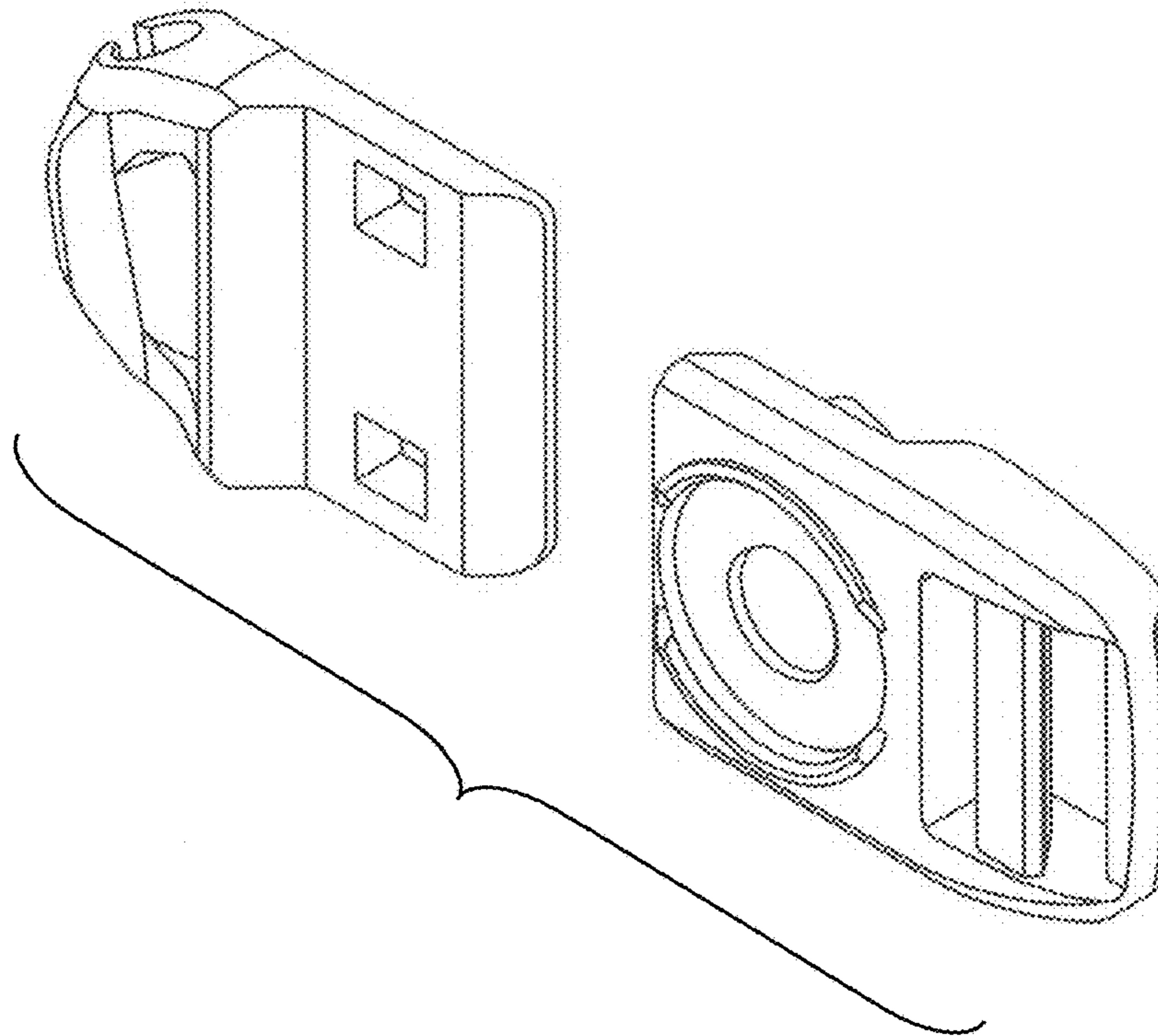


FIG. 9