



US00D845165S

(12) **United States Design Patent** (10) **Patent No.:** **US D845,165 S**
Park (45) **Date of Patent:** **** Apr. 9, 2019**

(54) **TIERED PLANTER**

FOREIGN PATENT DOCUMENTS

(71) Applicant: **Umbra LLC**, Buffalo, NY (US)

EM 004406601-0003 * 11/2017

(72) Inventor: **Sung Wook Park**, Toronto (CA)

OTHER PUBLICATIONS

(73) Assignee: **Umbra LLC**, Buffalo, NY (US)

Umbra website, NESTA Tiered Planter, Wayback Machine Internet Archive earliest publication date Sep. 11, 2017, [site visited Aug. 11, 2018], Available on the Internet URL <https://web.archive.org/web/20170911065124/http://www.umbra.com/usd/nest-w>.*

(**) Term: **15 Years**

(Continued)

(21) Appl. No.: **29/619,013**

(22) Filed: **Sep. 26, 2017**

Primary Examiner — Karen S Acker

(51) **LOC (11) Cl.** **11-02**

Assistant Examiner — Steven B Reinholdt, Jr.

(52) **U.S. Cl.**

(74) *Attorney, Agent, or Firm* — Simpson & Simpson, PLLC

USPC **D11/154**

(58) **Field of Classification Search**

(57) **CLAIM**

USPC D11/148, 149, 152, 153, 154; D23/267;
D7/608, 609, 704

The ornamental design for a tiered planter, as shown and described.

CPC A47G 7/044

DESCRIPTION

See application file for complete search history.

(56) **References Cited**

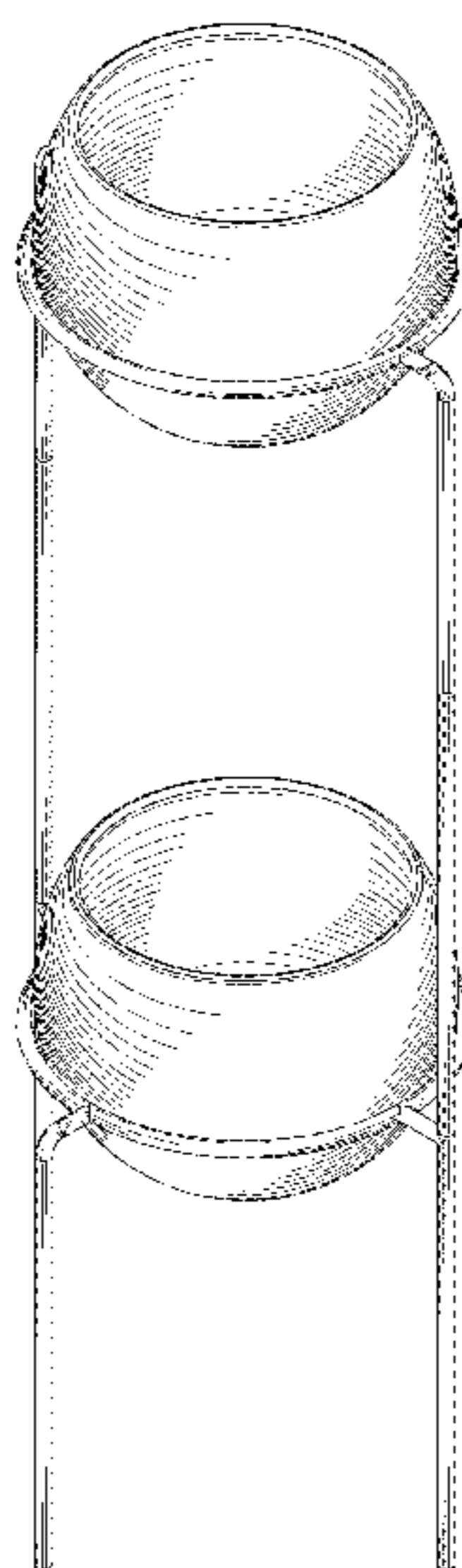
FIG. 1 is a perspective view of a tiered planter showing my new design;
FIG. 2 is a front elevational view of the tiered planter shown in FIG. 1;
FIG. 3 is a left side elevational view of the tiered planter shown in FIG. 1;
FIG. 4 is a back elevational view of the tiered planter shown in FIG. 1;
FIG. 5 is a right side elevational view of the tiered planter shown in FIG. 1;
FIG. 6 is a top plan view of the tiered planter shown in FIG. 1; and,
FIG. 7 is a bottom plan view of the tiered planter shown in FIG. 1.

U.S. PATENT DOCUMENTS

813,789 A *	2/1906	Fox	B65D 7/20 206/446
D87,162 S *	6/1932	Malik	D6/403
D189,864 S *	3/1961	Bloomfield	D7/603
4,024,670 A *	5/1977	Stanley	A01G 9/029 47/73
D256,110 S *	7/1980	Dunbar	D11/153
D425,326 S *	5/2000	Rehmert	D6/403
D434,696 S *	12/2000	Ward	D11/151
D484,433 S *	12/2003	Moody, Jr.	D11/131
D484,715 S *	1/2004	Missry	D6/403
D545,079 S *	6/2007	Peterson	D6/403
D562,879 S *	2/2008	Lerner	D17/22
D571,615 S *	6/2008	Talbot	D7/558
D575,327 S *	8/2008	Lerner	D17/22
D610,009 S *	2/2010	Prufer	D9/504
D729,370 S *	5/2015	Chou	D23/366

(Continued)

1 Claim, 6 Drawing Sheets



(56)

References Cited

U.S. PATENT DOCUMENTS

D770,860 S * 11/2016 Wampold D7/608
D817,935 S * 5/2018 Zukowski D14/228

OTHER PUBLICATIONS

YouTube—Umbra, NESTA Tiered Planter Umbra, Published Aug. 2, 2017, [site visited Aug. 11, 2018], Available on the Internet URL <https://www.youtube.com/watch?v=UvXWw9xZk78>.*

* cited by examiner

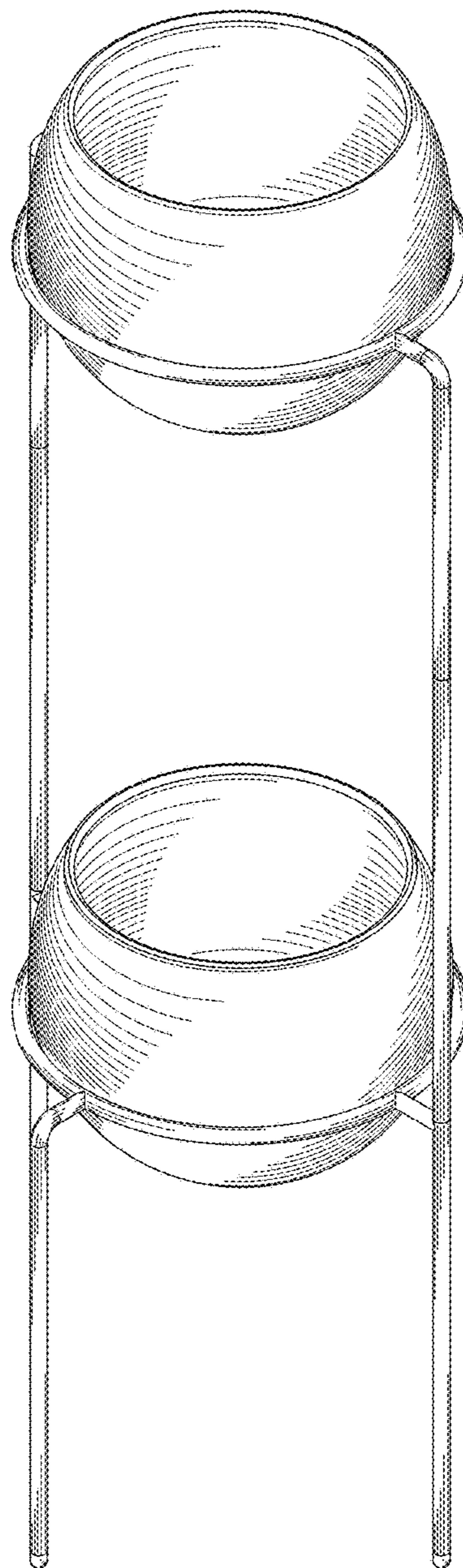


FIG. 1

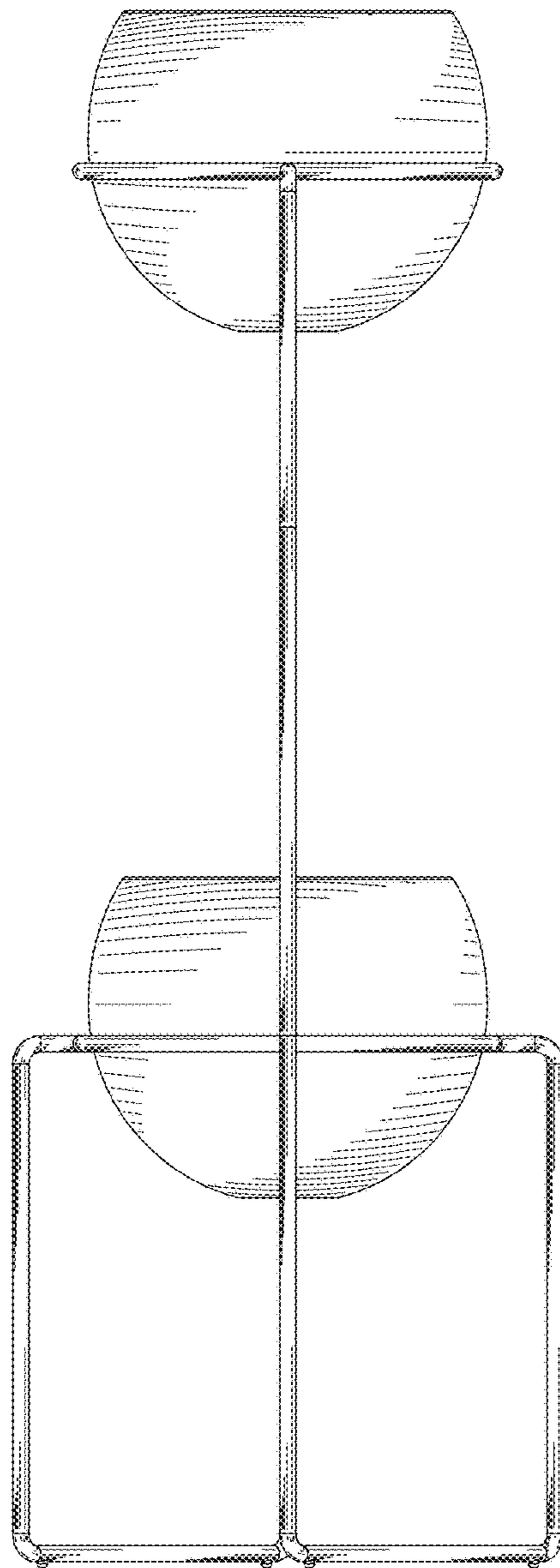


FIG. 2

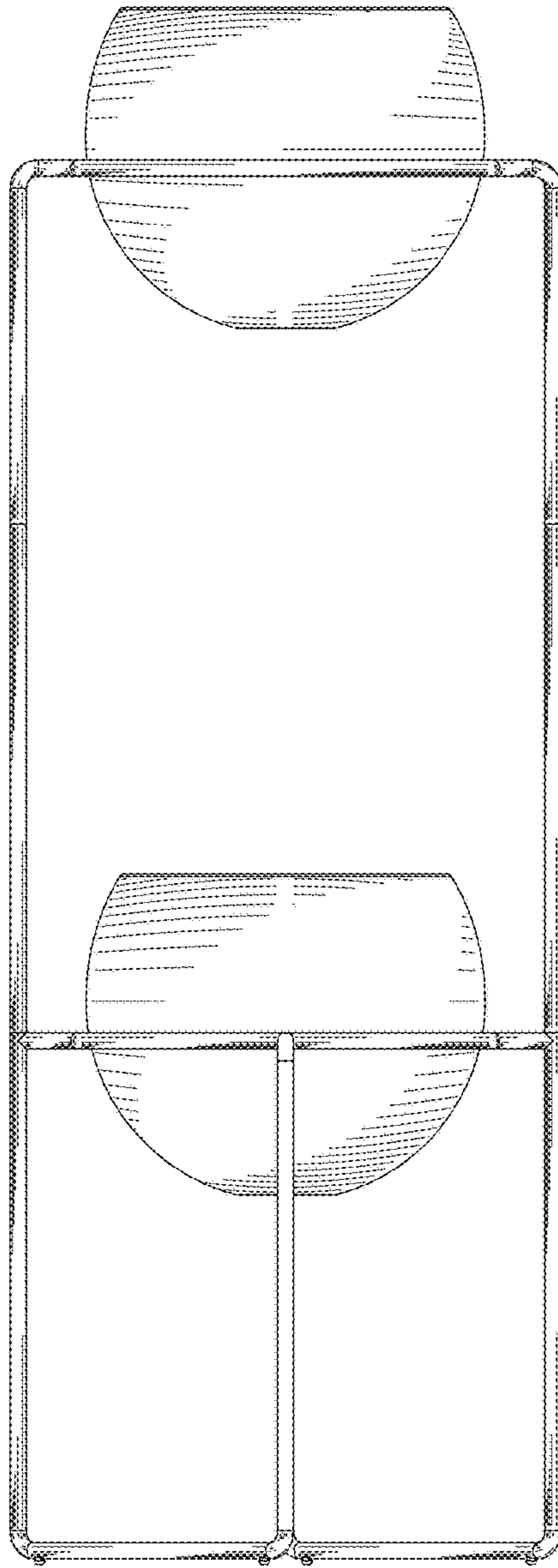


FIG. 3

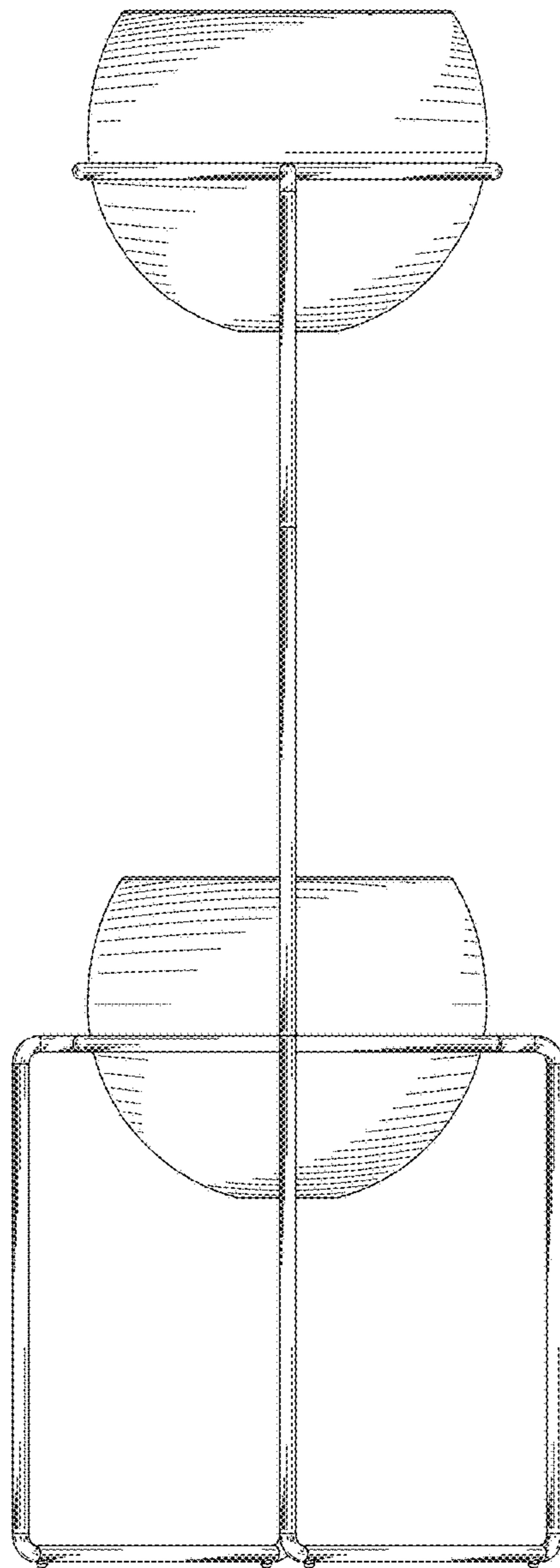


FIG. 4

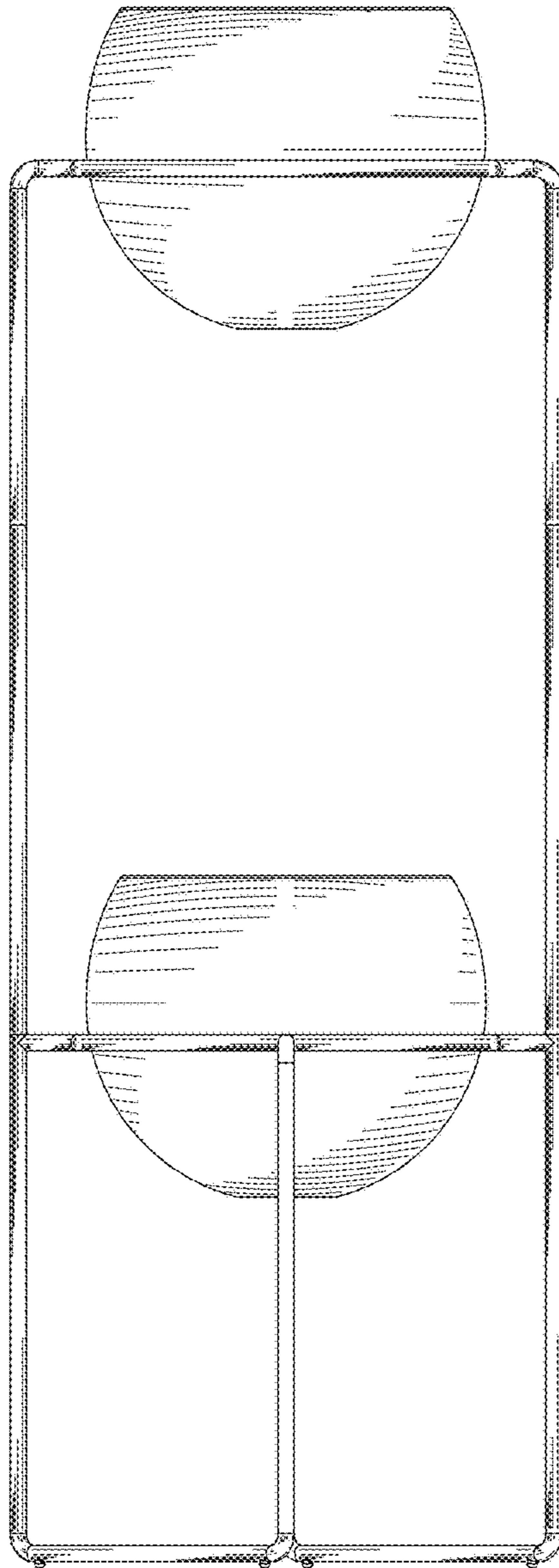


FIG. 5

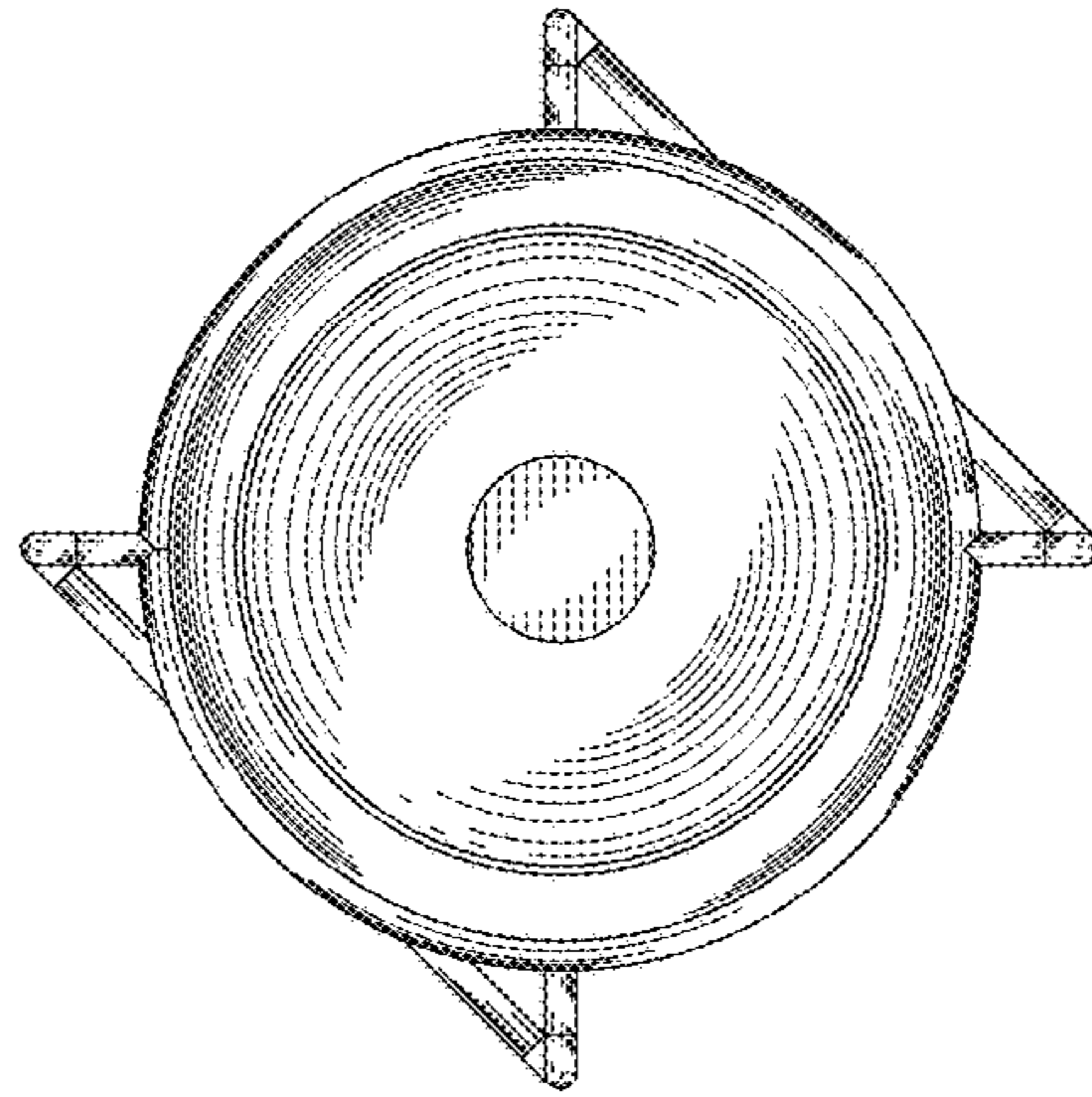


FIG. 6

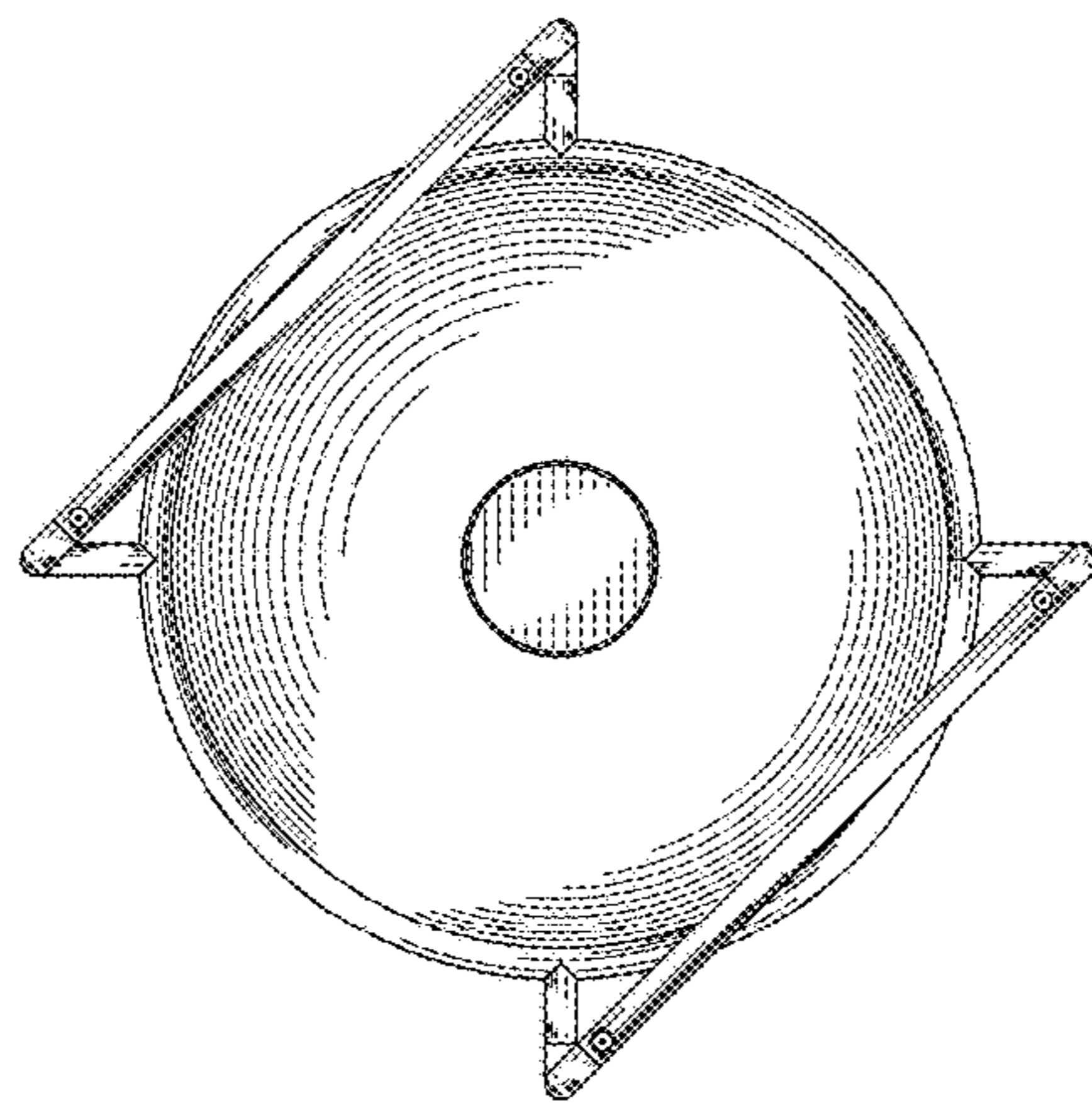


FIG. 7