



US00D845163S

(12) **United States Design Patent**  
**Weber**

(10) **Patent No.:** **US D845,163 S**

(45) **Date of Patent:** **\*\* Apr. 9, 2019**

(54) **FINGER RING**

(71) Applicant: **Richard Klaus Weber**, Koenigslutter  
am Elm (DE)

(72) Inventor: **Richard Klaus Weber**, Koenigslutter  
am Elm (DE)

(\*\*) Term: **15 Years**

(21) Appl. No.: **29/573,970**

(22) Filed: **Aug. 11, 2016**

(30) **Foreign Application Priority Data**

Mar. 1, 2016 (WO) ..... DM/089 891

(51) **LOC (11) Cl.** ..... **11-01**

(52) **U.S. Cl.**  
USPC ..... **D11/30**

(58) **Field of Classification Search**  
USPC ..... D11/1-40; D28/39-43  
CPC ... A44C 25/001; A44C 25/002; A44C 25/004;  
A44C 25/005; A44C 25/007; A44C  
25/008; A44C 9/0023; A44C 9/003; A44C  
9/0061; A44C 9/0084; A44C 9/02  
See application file for complete search history.

(56) **References Cited**

**U.S. PATENT DOCUMENTS**

D359,994 S *	7/1995	Knopp	.....	D11/26
D429,510 S *	8/2000	Sullivan	.....	D21/709
D438,270 S *	2/2001	MacCourt	.....	D21/709
D451,045 S *	11/2001	Ambar	.....	D11/26
D599,505 S *	9/2009	Crane	.....	A63B 37/0003 D30/160
D659,582 S *	5/2012	Veit	.....	D11/34
D700,258 S *	2/2014	Nagi	.....	D21/707
8,794,032 B2 *	8/2014	Goldstein	.....	A44C 7/002 63/1.16
D792,535 S *	7/2017	Hughes	.....	D21/709

2009/0042659 A1 *	2/2009	Breaker	.....	A63B 43/002 473/194
2011/0011131 A1 *	1/2011	Bisserier	.....	A44C 9/003 63/15.7
2016/0037882 A1 *	2/2016	Heinz	.....	A44C 9/003 63/15.7
2016/0095394 A1 *	4/2016	Snider	.....	A44C 9/0084 63/11

**OTHER PUBLICATIONS**

Blank Golf Ball (available online Jul. 15, 2008) Retrieved from the internet Mar. 13, 2018, retrieved from the internet URL: [https://www.golfballs.com/Golf-Balls/Blank-Personalized-Golf-Balls.htm#.\\*](https://www.golfballs.com/Golf-Balls/Blank-Personalized-Golf-Balls.htm#.*)

(Continued)

*Primary Examiner* — Kevin K Rudzinski

*Assistant Examiner* — Richard Kearney

(74) *Attorney, Agent, or Firm* — W & C IP

(57) **CLAIM**

What is claimed is the ornamental design for a finger ring, as shown and described.

**DESCRIPTION**

FIG. 1 is a side view of a first embodiment of a finger ring. FIG. 2 is a perspective view of the first embodiment of the finger ring in FIG. 1 from a first side.

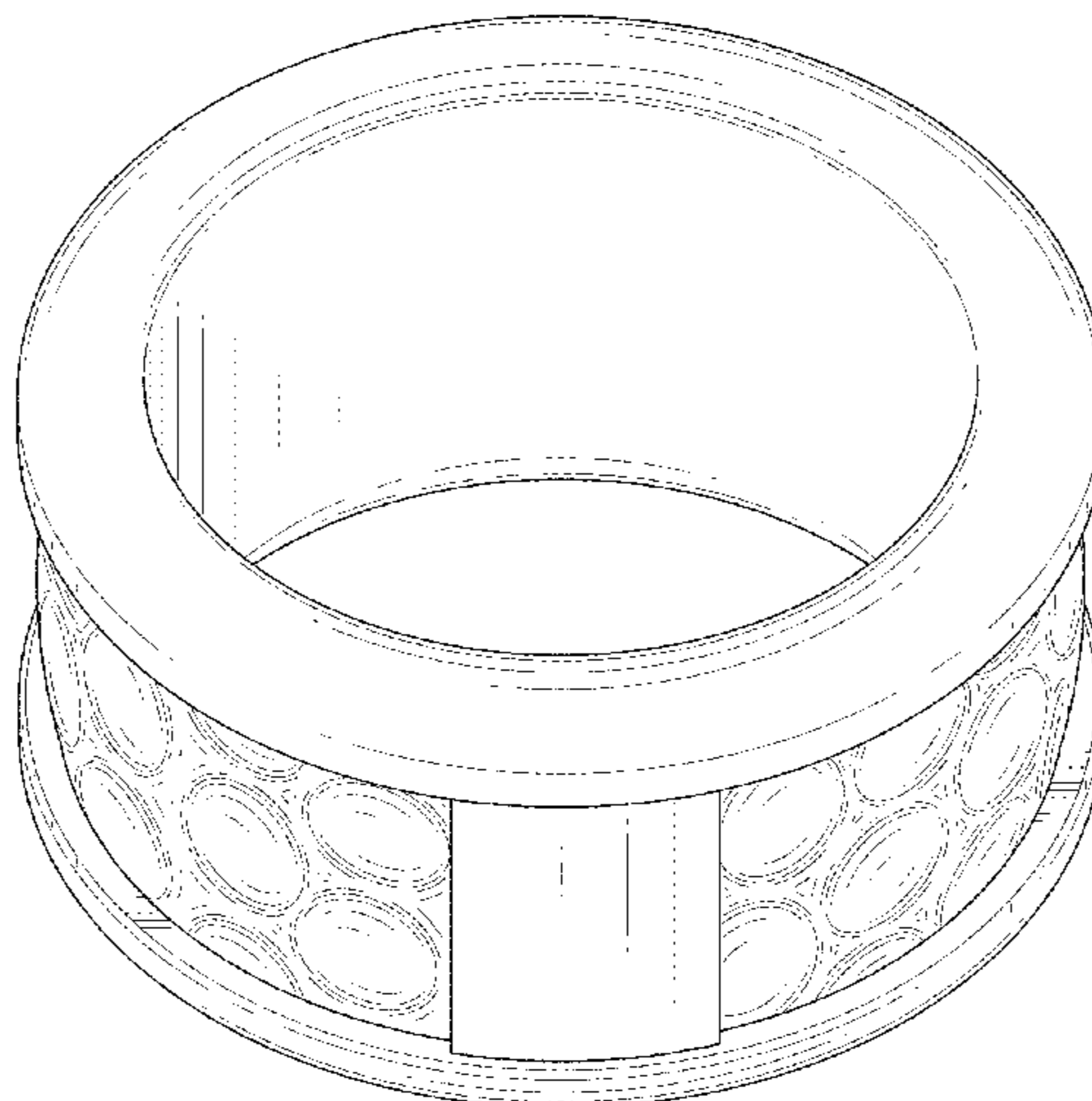
FIG. 3 is another perspective view of the first embodiment of the finger ring in FIG. 1 from a second side opposite the first side.

FIG. 4 is a side view of a second embodiment of a finger ring.

FIG. 5 is a perspective view of the second embodiment of the finger ring in FIG. 4 from a first side; and,

FIG. 6 is another perspective view of the second embodiment of the finger ring in FIG. 4 from a second side opposite the first side.

**1 Claim, 6 Drawing Sheets**



(56)

**References Cited**

OTHER PUBLICATIONS

Titleist (available online Apr. 12, 2012) Retrieved from the internet Mar. 13, 2018, retrieved from the internet URL: <https://www.amazon.com/120-Titleist-Used-Golf-Balls/dp/B001LNRRZ6>.\*

Titanium Golf Ring (available online Jul. 9, 2012) Retrieved from the internet Mar. 13, 2018, retrieved from the internet URL: <http://golfpigeon.com/galleries/36163/image/21233/>.\*

Finger Ring (available online) Retrieved from the internet Feb. 2, 2018, retrieved from the internet URL: <https://www.stylish-dimples.eu/home/>.\*

Customizable Golf Wristbands (available online) Retrieved from the internet Feb. 2, 2018, retrieved from the internet URL: <https://www.reminderband.com/products/golf-wristbands/>.\*

Golf Ball Rings—Silicone Ring Collection (available online) Retrieved from the internet Feb. 2, 2018, retrieved from the internet URL: <https://golfballrings.com/>.\*

Rings Modern Man Geometry Rose Gold Plated Stainless Steel Party (available online) Retrieved from the internet Feb. 2, 2018, retrieved from the internet URL: <https://www.noblerjewelry.com/es/anillos-hombre-moderno-geometria-chapado-en-oro-rosa-acero-inoxidable-fiesta>.\*

\* cited by examiner

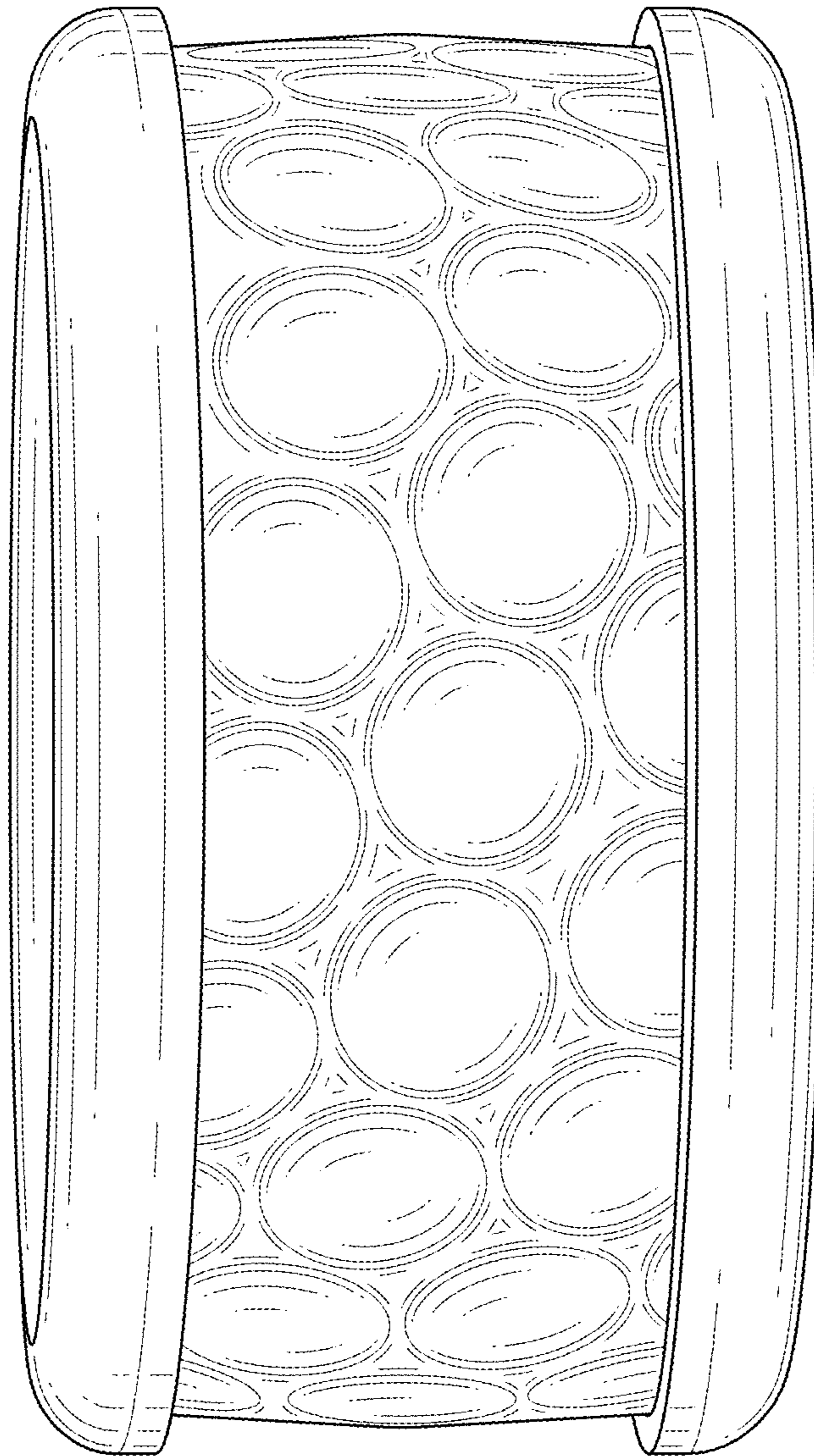


FIG. 1

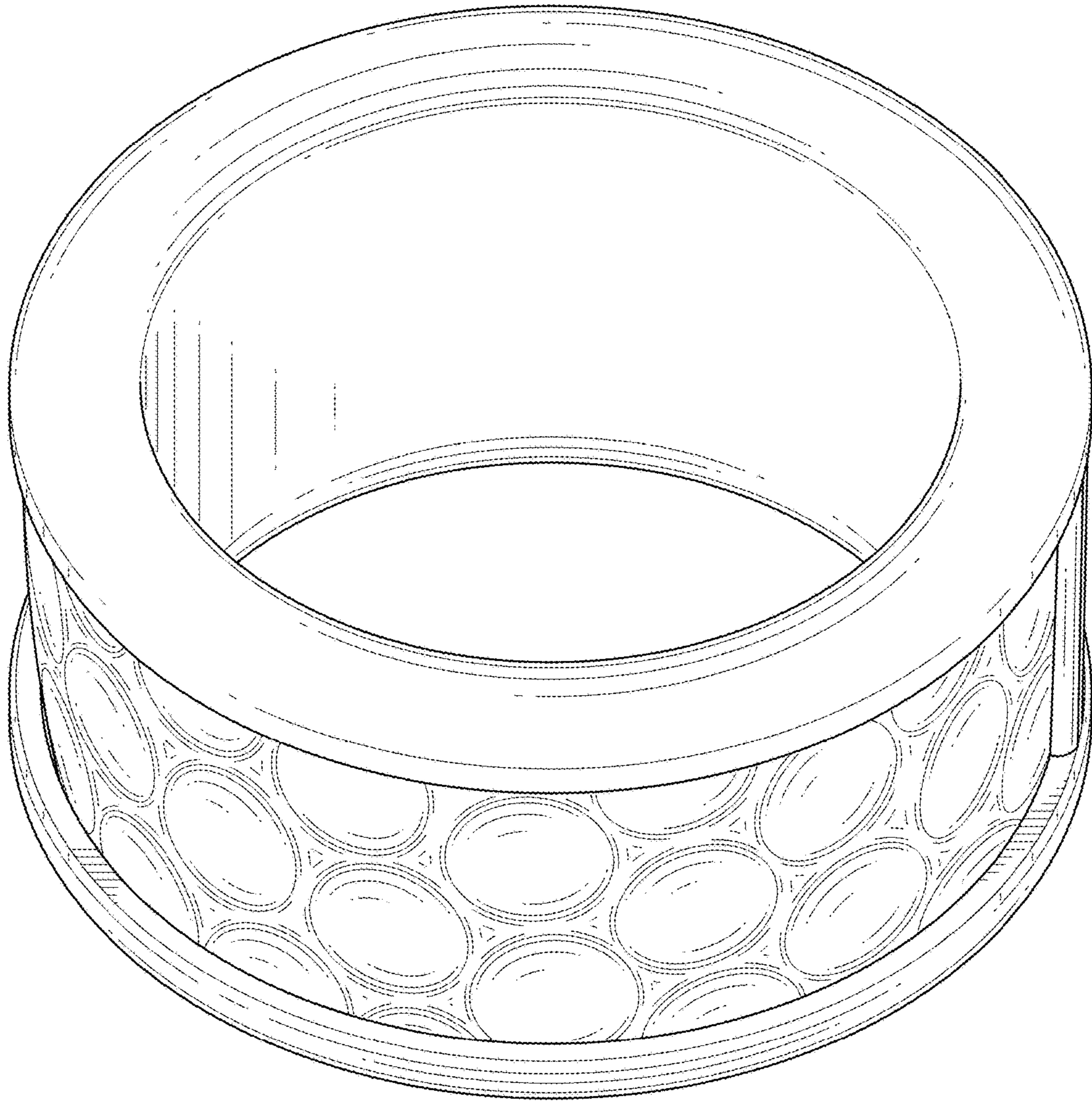


FIG.2

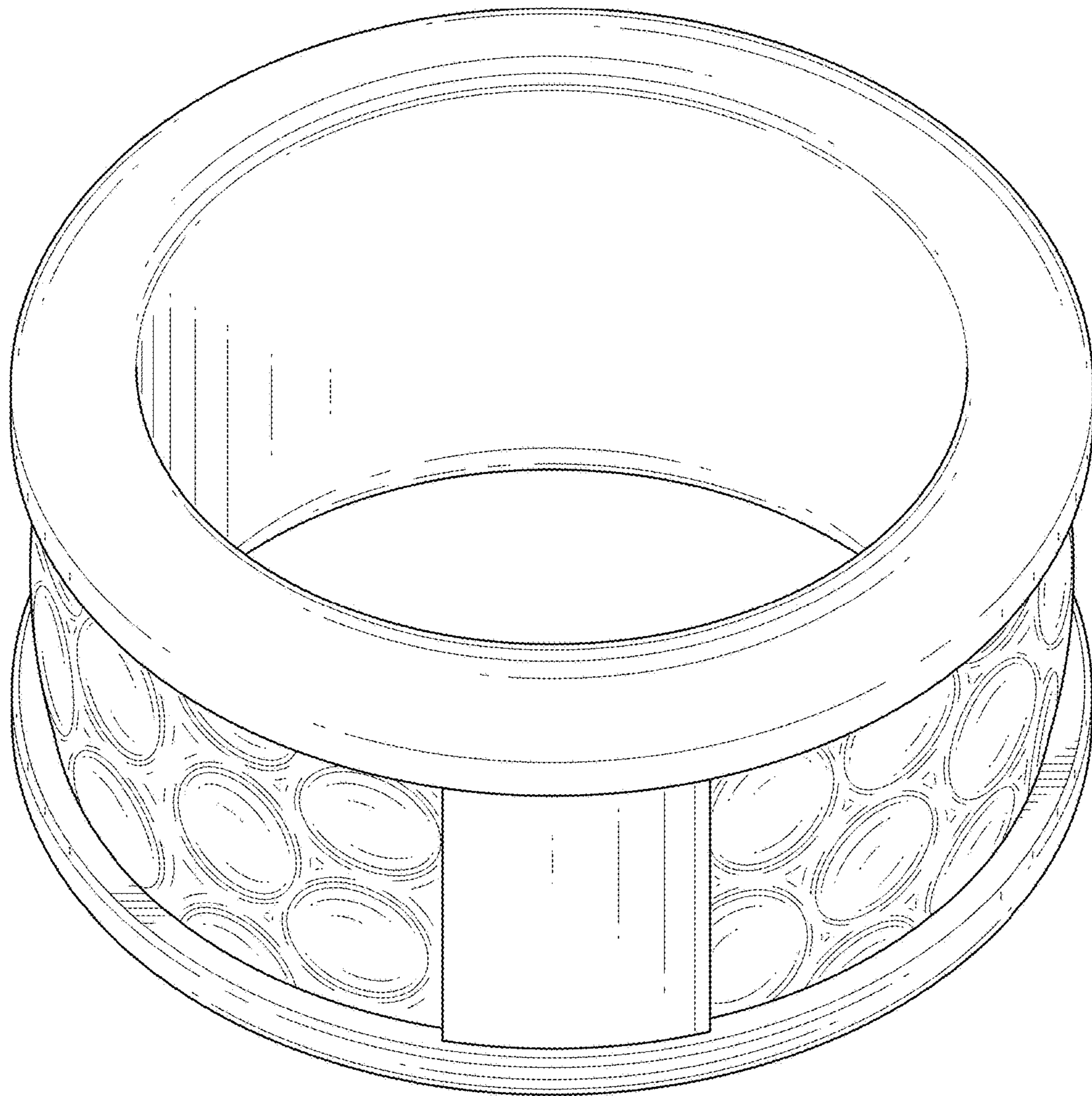


FIG. 3

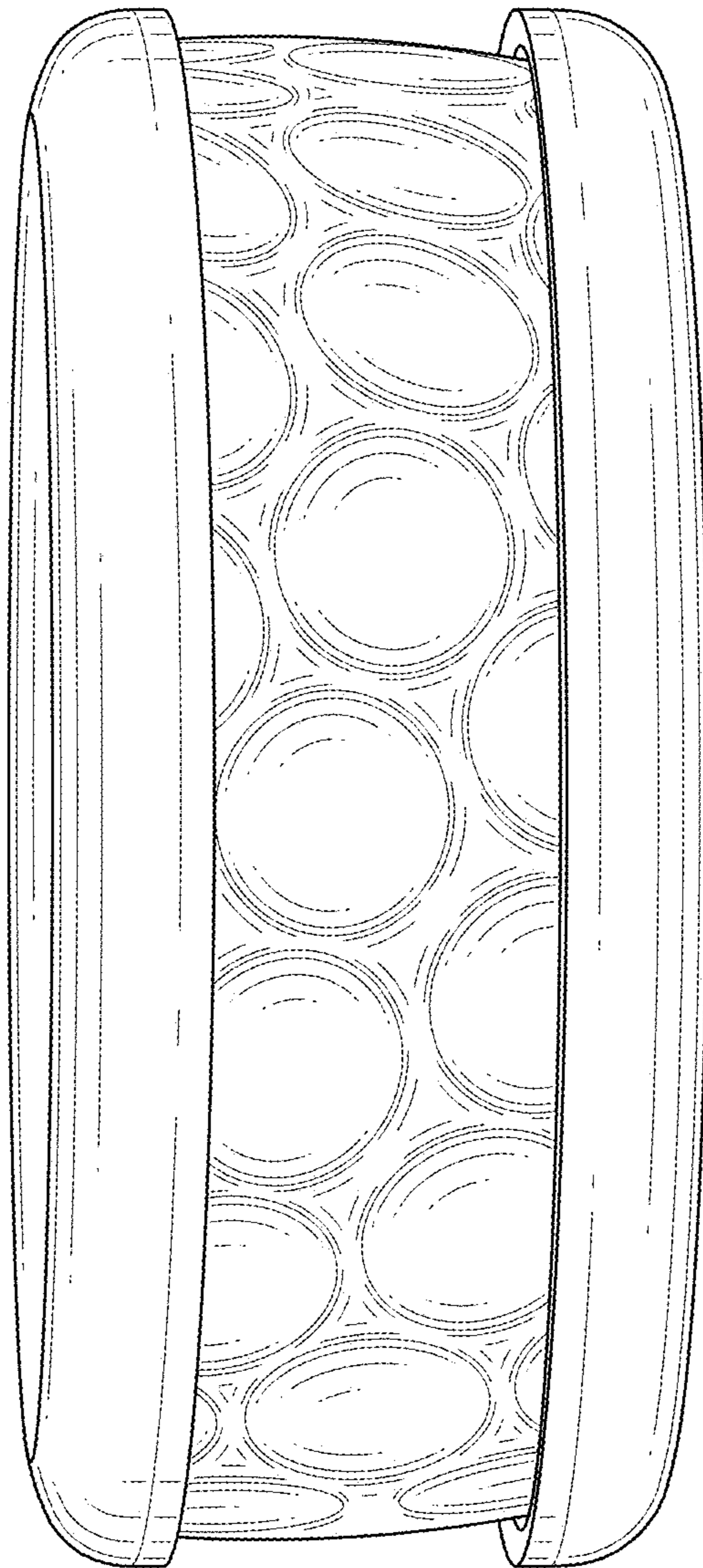


FIG.4

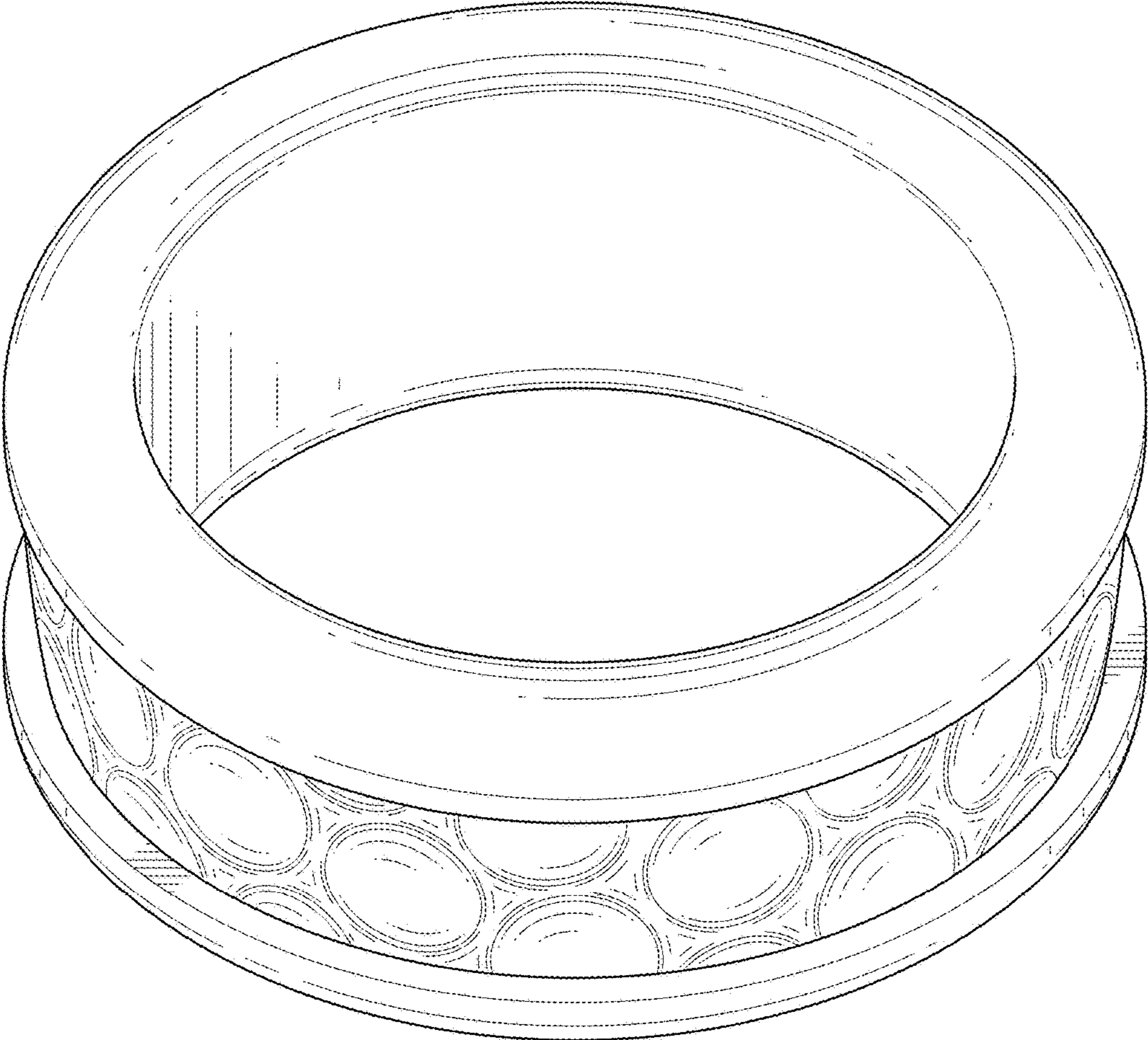


FIG.5

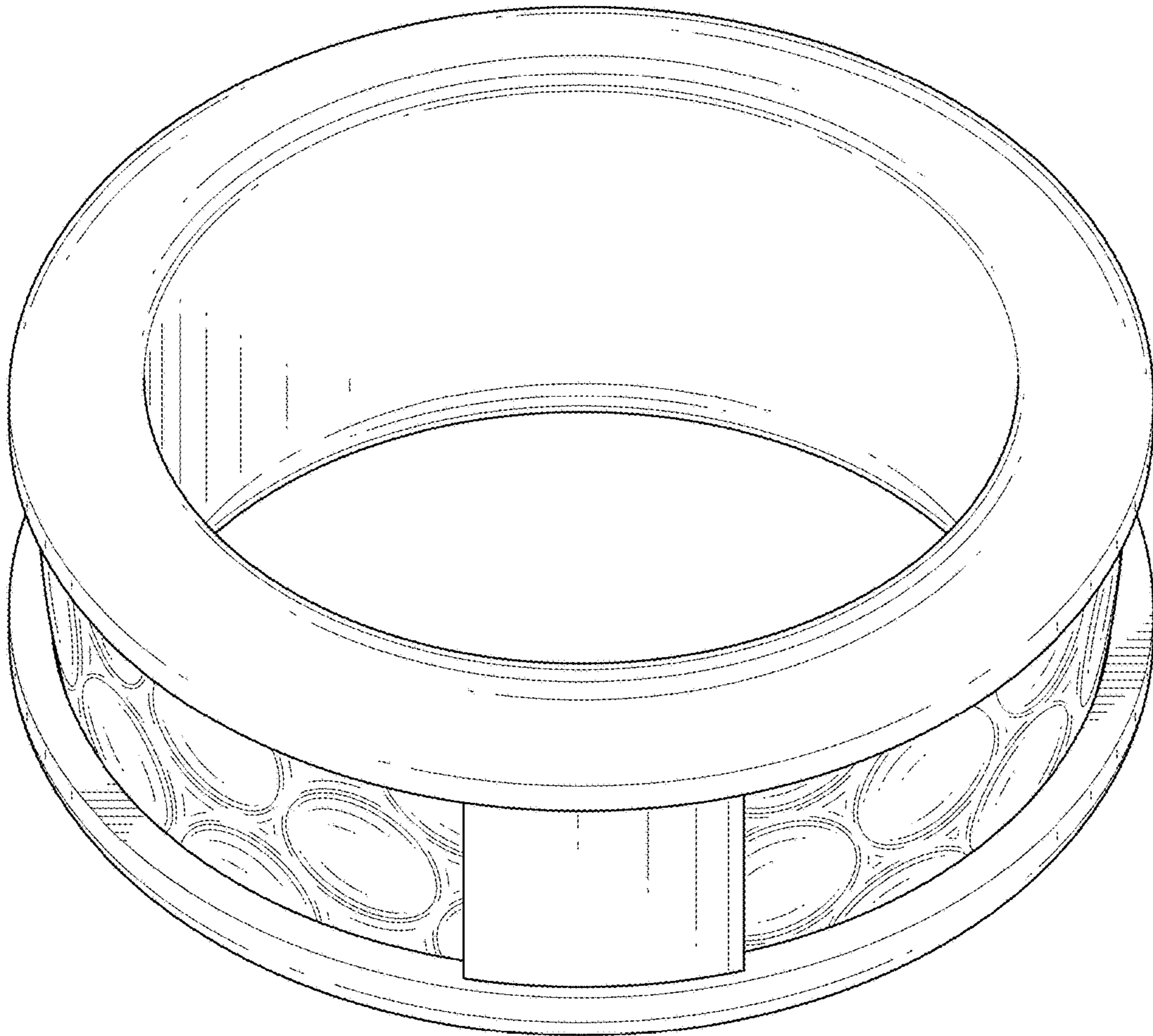


FIG.6