



US00D845162S

(12) **United States Design Patent**
Shannon

(10) **Patent No.:** **US D845,162 S**
(45) **Date of Patent:** **** Apr. 9, 2019**

(54) **STRIPED WATCH BAND**
(71) Applicant: **Earl T. Shannon**, Fort Lauderdale, FL
(US)
(72) Inventor: **Earl T. Shannon**, Fort Lauderdale, FL
(US)
(**) Term: **15 Years**
(21) Appl. No.: **29/537,641**

D78,958 S * 7/1929 Wewetzer D10/32
1,766,971 A * 6/1930 Augenstein A44C 5/0061
63/3
2,035,671 A * 3/1936 Sauer, Jr. A44C 5/0053
2/338
D123,814 S * 12/1940 Megur D10/32
D142,879 S * 11/1945 Livingston D10/32
D158,918 S * 6/1950 Winn D10/32
D164,343 S * 8/1951 Wishengrad D11/12
D171,005 S * 12/1953 Nolin D10/32
D192,971 S * 6/1962 Meyerson D11/94
3,203,200 A * 8/1965 Inotsume A44C 5/04
2/339

(22) Filed: **Aug. 27, 2015**
(51) **LOC (11) Cl.** **11-01**
(52) **U.S. Cl.**
USPC **D11/3**

(Continued)

(58) **Field of Classification Search**
USPC D11/1-26, 86, 87, 93, 94; D10/70, 98,
D10/32, 38, 30, 31, 33, 34, 35, 36, 37,
D10/39; D24/167, 200; D14/344;
D3/203.1, 215, 218, 201
CPC A44C 5/00; A44C 5/0007; A44C 5/0015;
A44C 5/0023; A44C 5/003; A44C
5/0038; A44C 5/0053; A44C 5/0061;
A44C 5/0069; A44C 5/0076; A44C
5/0084; A44C 5/0092; A44C 5/02; A44C
5/025; A44C 5/027; A44C 5/08; A61B
5/02405; G04B 19/04; G04B 19/06;
G04B 19/065; G04B 19/23; G04B 19/08;
G04B 19/10; G04B 19/12; G04B 19/24;
G04B 19/26; G04B 19/268; G04B 19/30;
G04B 37/084; G04B 37/0008; G04B
37/0058; G04B 37/1486; G04B 17/08;
G04B 17/00; G04B 17/005; G04B
17/285; G04B 37/18; G04B 37/081;
G04B 37/082

OTHER PUBLICATIONS

[Online] "The Official Project Peacekeeper G-Shock". <https://www.projectpeacekeeper.org/product-page/g-shock>. Retrieved Dec. 10, 2017.*

(Continued)

Primary Examiner — Melanie Pellegrini
(74) *Attorney, Agent, or Firm* — The Concept Law
Group, P.A.; Scott D. Smiley; Scott M. Garrett

See application file for complete search history.

(56) **References Cited**

U.S. PATENT DOCUMENTS

D42,657 S * 6/1912 Watcher D10/32
D64,259 S * 3/1924 McDermott D11/11

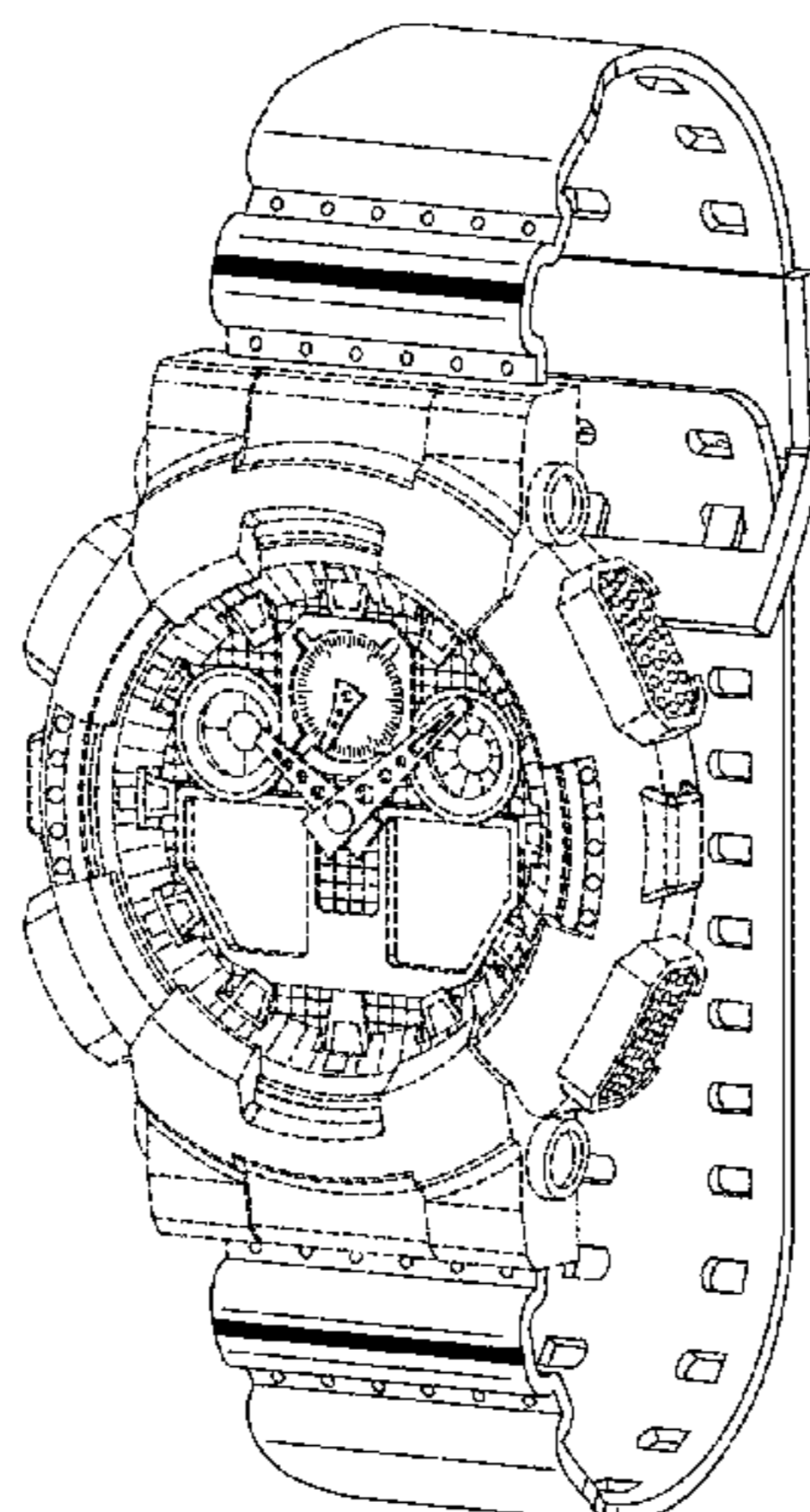
(57) **CLAIM**

The ornamental design for a striped watch band, as shown and described.

DESCRIPTION

FIG. 1 is a front and right side perspective view of a striped watch band in accordance with the present invention; FIG. 2 is a front elevational view thereof; FIG. 3 is a top plan view thereof; and, FIG. 4 is a bottom plan view thereof. The broken lines showing a watch case represent portions of the striped watch band which form no part of the claimed design.

1 Claim, 3 Drawing Sheets



(56)

References Cited

U.S. PATENT DOCUMENTS

3,265,247 A * 8/1966 McKinney A44C 5/00
224/171
3,513,580 A * 5/1970 Agres G09F 23/16
206/460
3,965,671 A * 6/1976 Kodera A44C 5/027
59/80
D244,671 S * 6/1977 Cozza D10/32
D246,765 S * 12/1977 Sulek D10/32
D252,450 S * 7/1979 Sulek D10/32
D259,186 S * 5/1981 Perrin D10/32
D262,949 S * 2/1982 Perrin D10/32
D267,478 S * 1/1983 Kanoui D10/32
D268,332 S * 3/1983 Weil D10/32
D277,649 S * 2/1985 Glauser D10/32
D284,170 S * 6/1986 Kurimura D10/32
4,601,538 A * 7/1986 Valkenburg G08B 5/004
359/519
D295,965 S * 5/1988 Murphy D10/32
D296,992 S * 8/1988 Crocco D10/32
D298,610 S * 11/1988 Young D10/32
D319,591 S * 9/1991 Coveri D10/32
D333,446 S * 2/1993 Butler D11/19
D344,468 S * 2/1994 Kaneko D11/108
D348,011 S * 6/1994 Houlihan D10/32
D349,468 S * 8/1994 Souren D11/3
D356,659 S * 3/1995 Glass D2/627
D365,994 S * 1/1996 Brennan D10/32
D380,975 S * 7/1997 Luchun D10/126

D399,761 S * 10/1998 Rabassa D10/32
D401,163 S * 11/1998 Buchser D10/30
D435,223 S * 12/2000 Bodino D10/32
D468,226 S * 1/2003 Upton D11/11
6,880,364 B1 * 4/2005 Vidolin A44C 5/025
40/633
7,107,790 B2 * 9/2006 Frank A44C 5/14
224/164
D535,205 S * 1/2007 Frederick D10/104.1
D584,170 S * 1/2009 Morrison D10/32
D589,372 S * 3/2009 Miloradovic D10/32
D623,965 S * 9/2010 Sullivan D10/31
D637,094 S * 5/2011 Cobbett D10/32
D708,964 S * 7/2014 Cerrato D10/126
D715,758 S * 10/2014 Yun D14/138 R
D725,511 S * 3/2015 Read D10/70
D739,850 S * 9/2015 Gao D14/223
9,581,972 B1 * 2/2017 Arrow H02J 7/0044
2016/0157571 A1 * 6/2016 Custer A44C 5/08
224/175
2017/0188668 A1 * 7/2017 Watterson A44C 5/0015

OTHER PUBLICATIONS

[Online] <https://i.pinimg.com/736x/c0/65/92/c0659262f05d2722b17793e555678150--cute-apple-watch-bands-apple-watch-accessories.jpg>. Retrieved Dec. 10, 2017.*
[Online] https://images-na.ssl-images-amazon.com/images/I/61FVRgUOXyL_SX475_.jpg. Retrieved Dec. 10, 2017.*

* cited by examiner

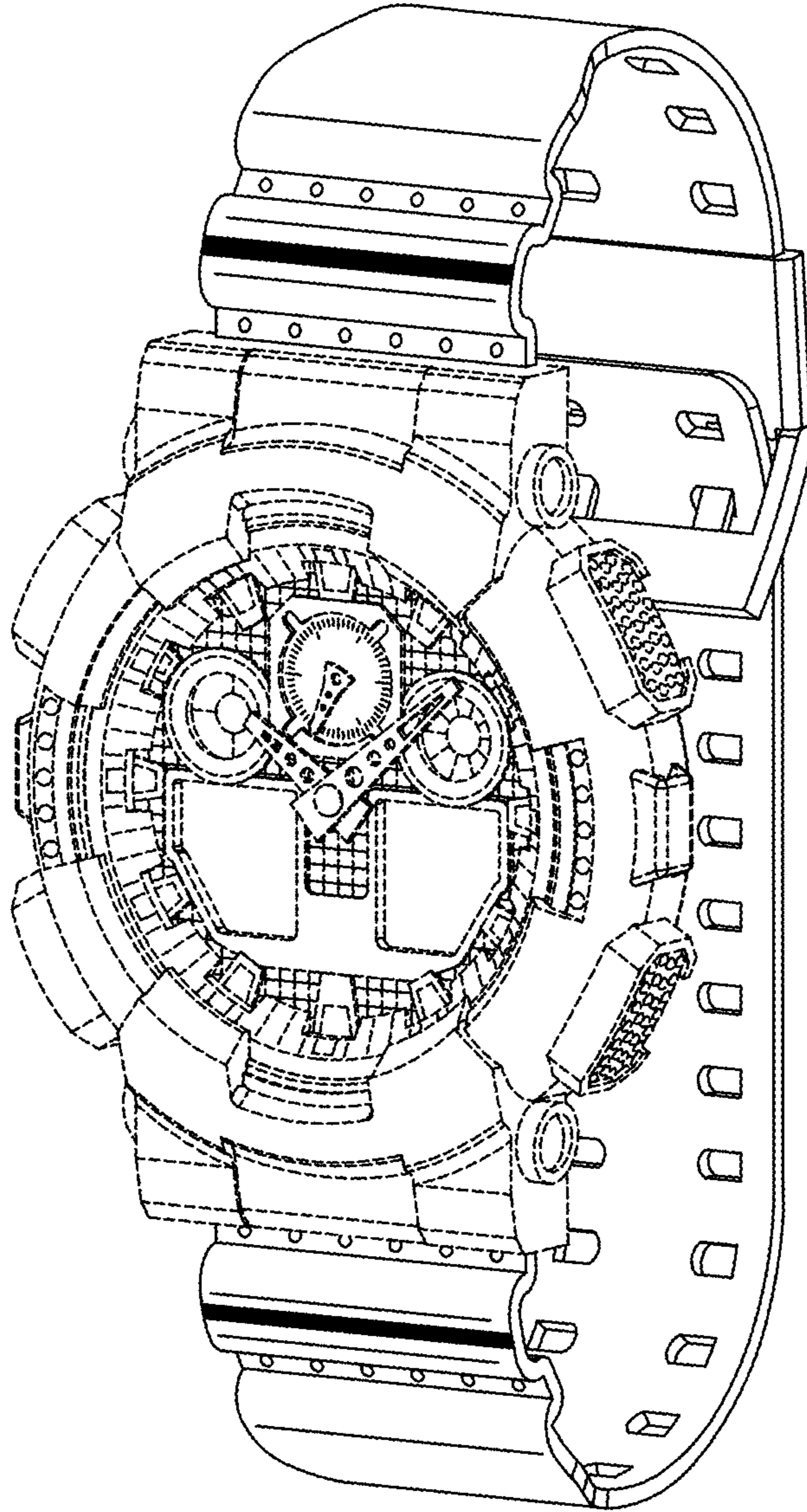


FIG. 1

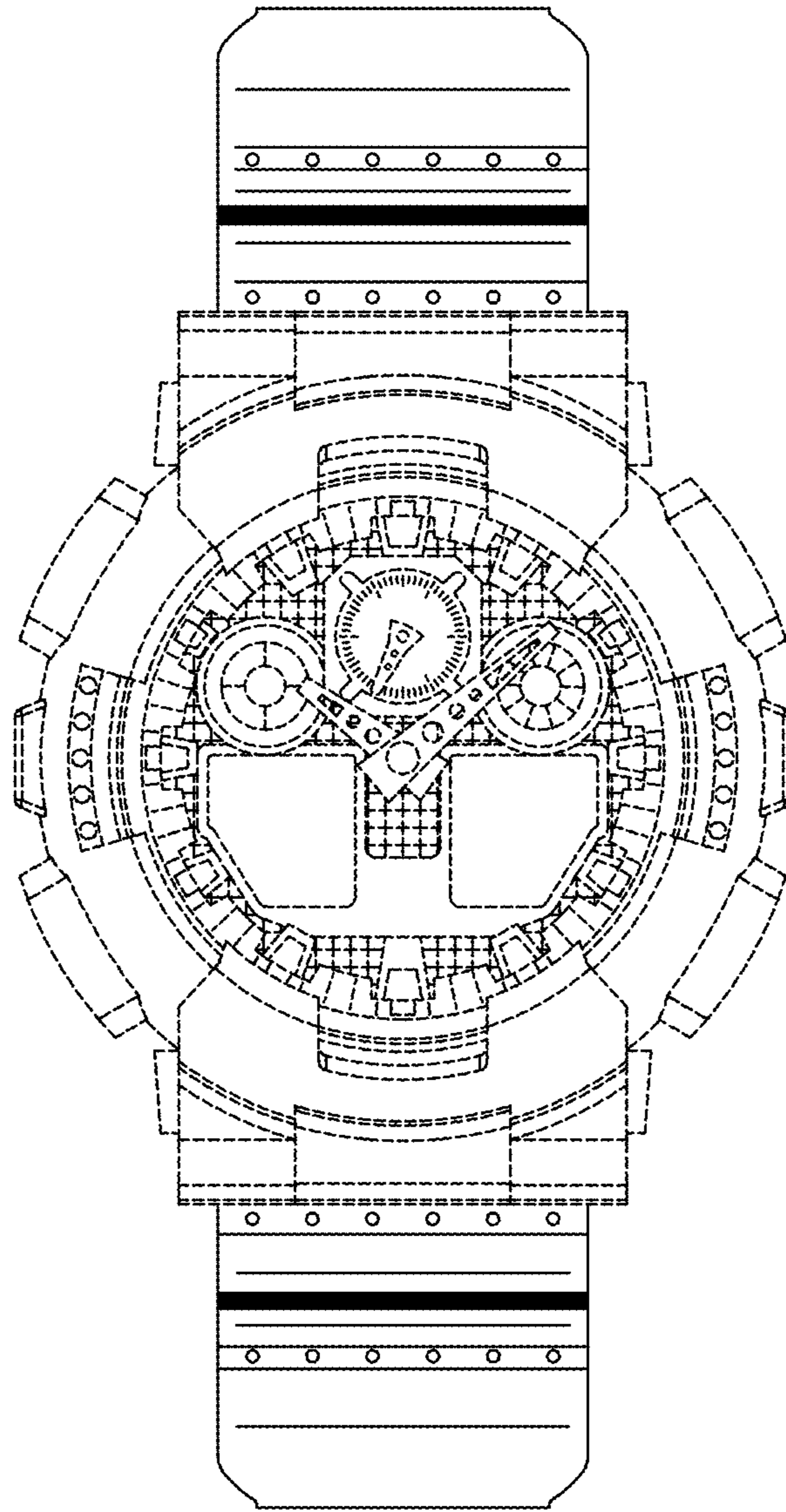


FIG.2

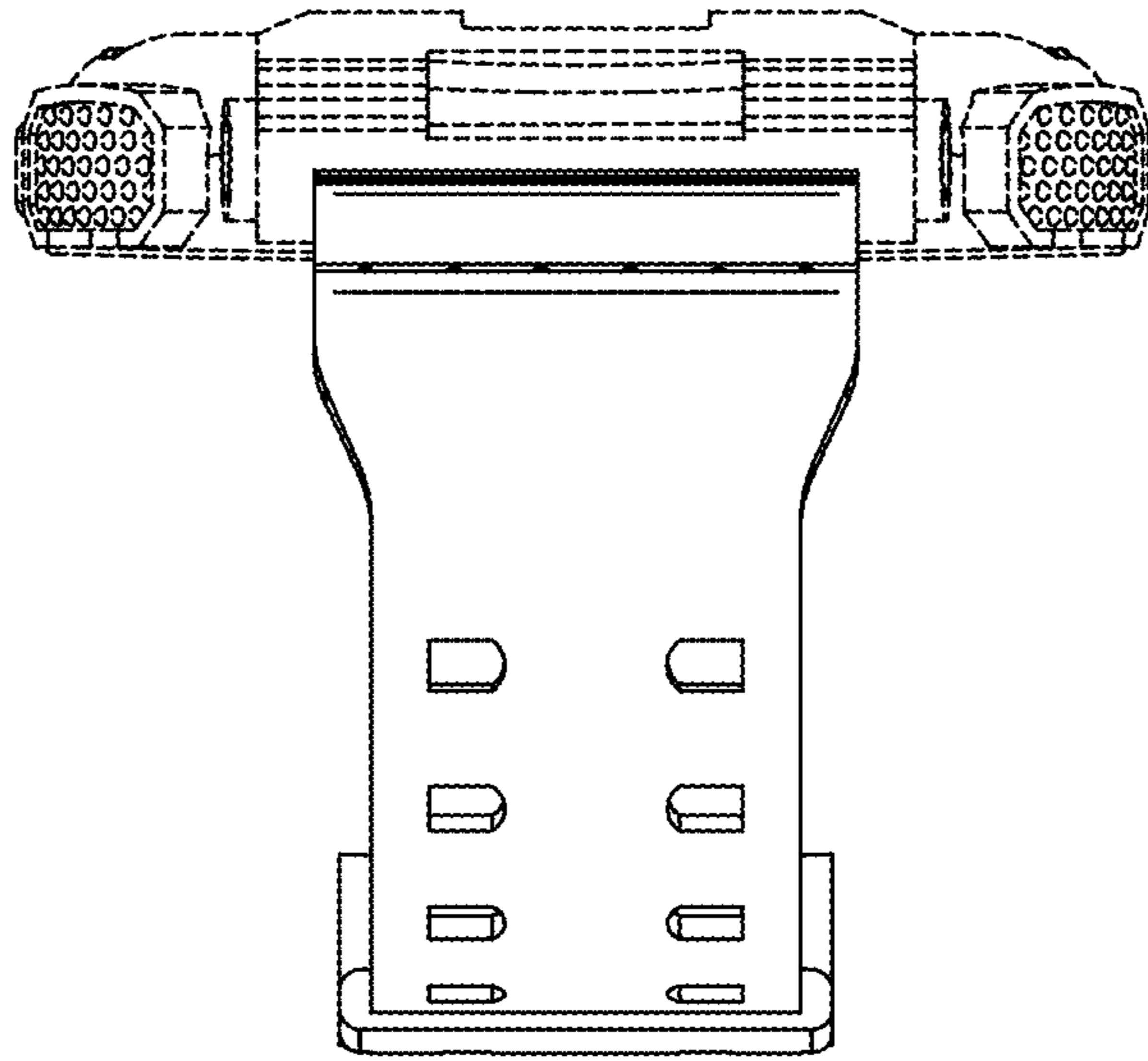


FIG.3

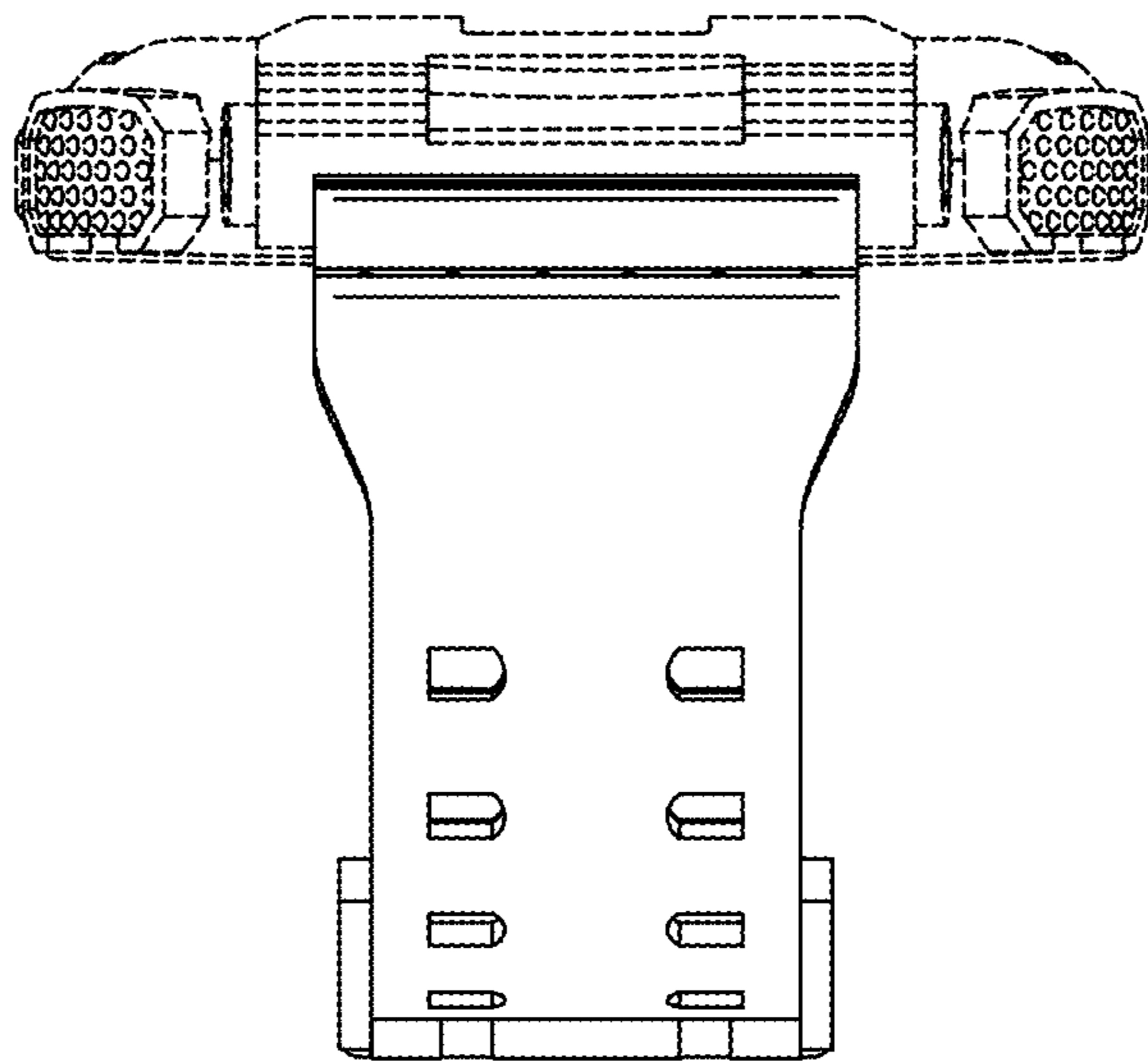


FIG.4