



US00D845161S

(12) **United States Design Patent** (10) **Patent No.:** **US D845,161 S**
Lenk et al. (45) **Date of Patent:** **** Apr. 9, 2019**

(54) **FILL LEVEL MEASURING DEVICE**

D366,051 S * 1/1996 Lewis D15/138
D401,600 S * 11/1998 Byerly D15/144.2
D412,454 S * 8/1999 Berkelhammer D10/103

(71) Applicant: **VEGA GRIESHABER KG**, Wolfach (DE)

(Continued)

(72) Inventors: **Fritz Lenk**, Schiltach (DE); **Christian Sum**, Wolfach (DE)

FOREIGN PATENT DOCUMENTS

CN 3265281 11/2002
CN 303142189 3/2015
TW D108437 12/2005

(73) Assignee: **Vega Grieshaber KG**, Wolfach (DE)

(**) Term: **15 Years**

OTHER PUBLICATIONS

(21) Appl. No.: **35/503,423**

Taiwan Intellectual Property Office, "Allowance Decision," and translation thereof, issued in Taiwan Design Application No. 106300175, dated Oct. 2, 2017, document of 4 pages.

(22) Filed: **Jan. 24, 2017**

(80) **Hague Agreement Data**

Primary Examiner — Jennifer L Watkins

Int. Filing Date: **Jan. 24, 2017**

(74) *Attorney, Agent, or Firm* — Akerman LLP; Peter A. Chiabotti

Int. Reg. No.: **DM/095808**

Int. Reg. Date: **Jan. 24, 2017**

Int. Reg. Pub. Date: **Jul. 28, 2017**

(57) **CLAIM**

The ornamental design for a fill level measuring device, as shown and described.

(30) **Foreign Application Priority Data**

DESCRIPTION

Aug. 3, 2016 (EM) 003330190

(51) **LOC (11) Cl.** **10-04**

(52) **U.S. Cl.**
USPC **D10/101**

(58) **Field of Classification Search**
USPC D10/56, 101, 103, 96; D8/387, 70;
D15/144, 144.1, 144.2; D13/151, 154
CPC .. G01F 23/284; G01F 23/266; G01F 23/2962;
G01F 25/0061; G01F 23/2968; G01F
23/268; G01F 23/2967
See application file for complete search history.

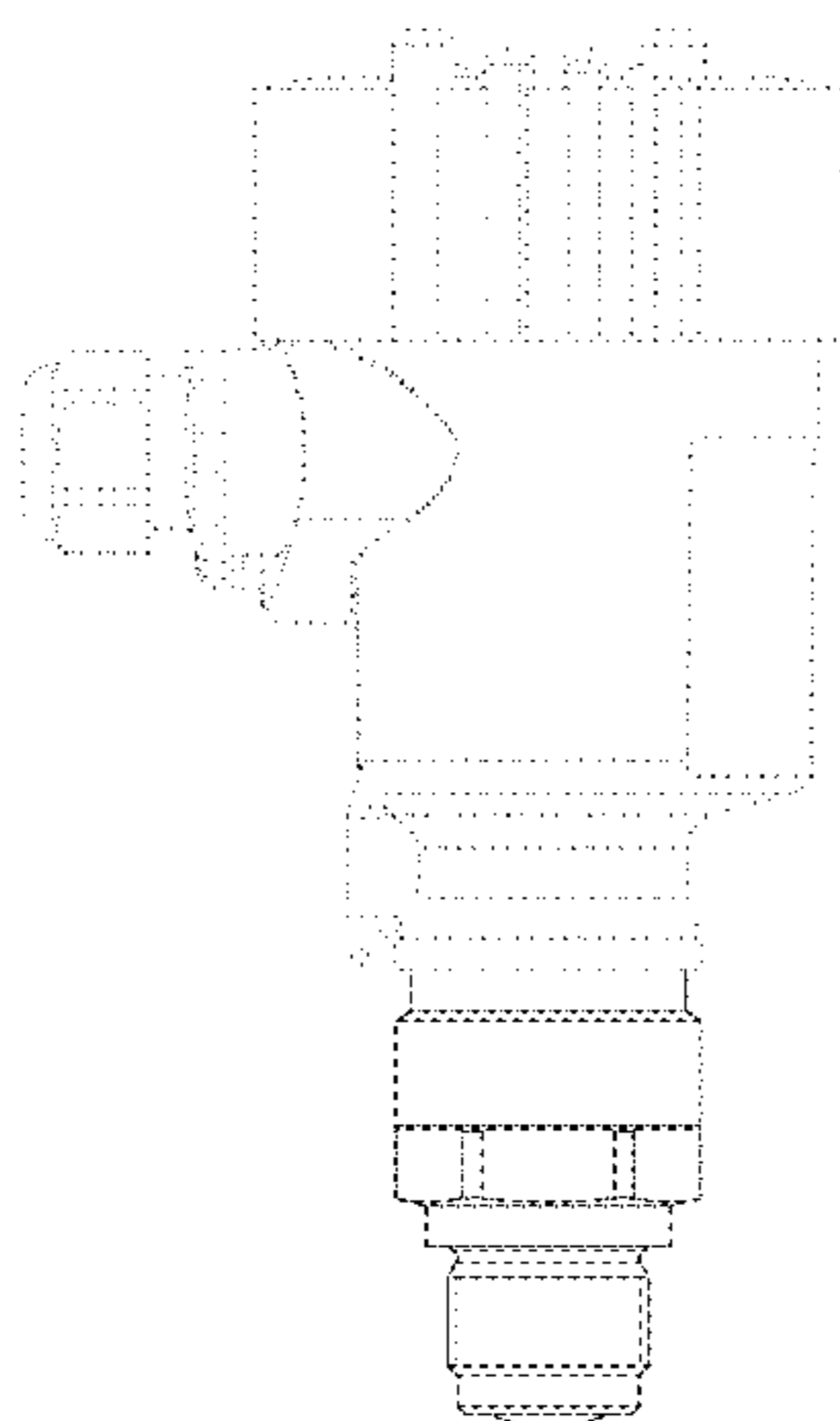
FIG. 1.1 is a perspective of view of the fill level measuring device showing our new design;
FIG. 1.2 is a bottom plan view thereof;
FIG. 1.3 is a left side elevation view thereof;
FIG. 1.4 is a front side elevation view thereof;
FIG. 1.5 is an right side elevation view thereof;
FIG. 1.6 is a back side elevation view thereof;
FIG. 1.7 is a top plan view thereof;
FIG. 2.1 is a perspective view of the fill level measuring device showing my new design in accordance with an alternative embodiment;
FIG. 2.2 is a bottom plan view thereof;
FIG. 2.3 is a left side elevation view thereof;
FIG. 2.4 is a front side elevation view thereof;
FIG. 2.5 is an right side elevation view thereof;
FIG. 2.6 is a back side elevation view thereof; and
FIG. 2.7 is a top plan view thereof.

(Continued)

(56) **References Cited**

U.S. PATENT DOCUMENTS

4,806,847 A * 2/1989 Atherton G01F 23/266
324/665
D354,296 S * 1/1995 Walsh D15/144.2



The portions shown in broken lines form no part of the claimed design.

1 Claim, 14 Drawing Sheets

(56)

References Cited

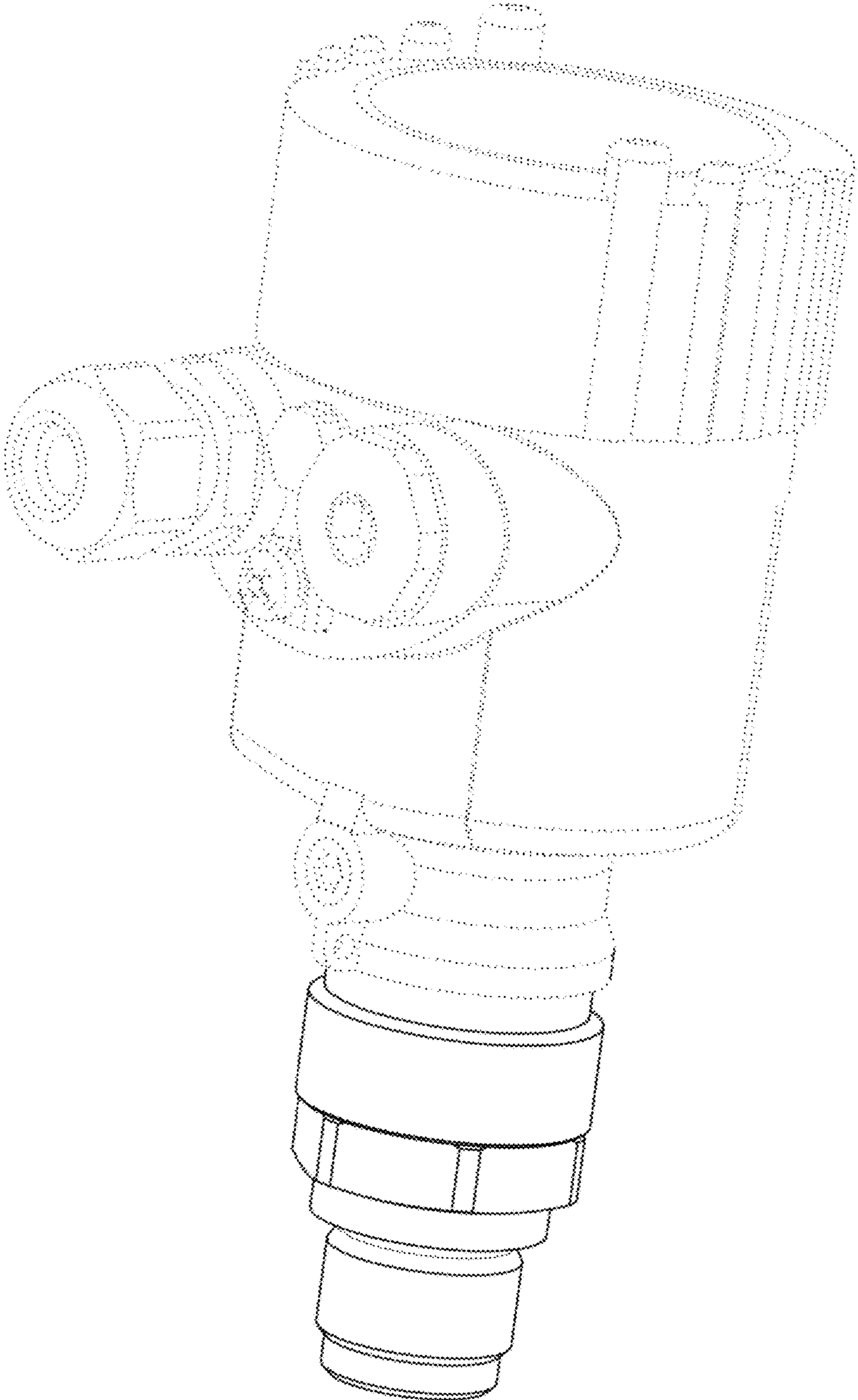
U.S. PATENT DOCUMENTS

D420,024 S * 2/2000 Raterman D15/144.1
6,401,532 B2 * 6/2002 Lubbers G01F 23/284
324/637
6,406,313 B1 * 6/2002 Victor H01R 27/00
439/175
D505,391 S * 5/2005 Rodrigues D13/133
D513,406 S * 1/2006 Rodrigues D13/133
D519,452 S * 4/2006 Rodrigues D13/133
D551,182 S * 9/2007 Furukawa D10/101
D570,236 S * 6/2008 Roys D10/101
D599,388 S * 9/2009 Schreck D15/144
D608,294 S * 1/2010 Shaw D13/133

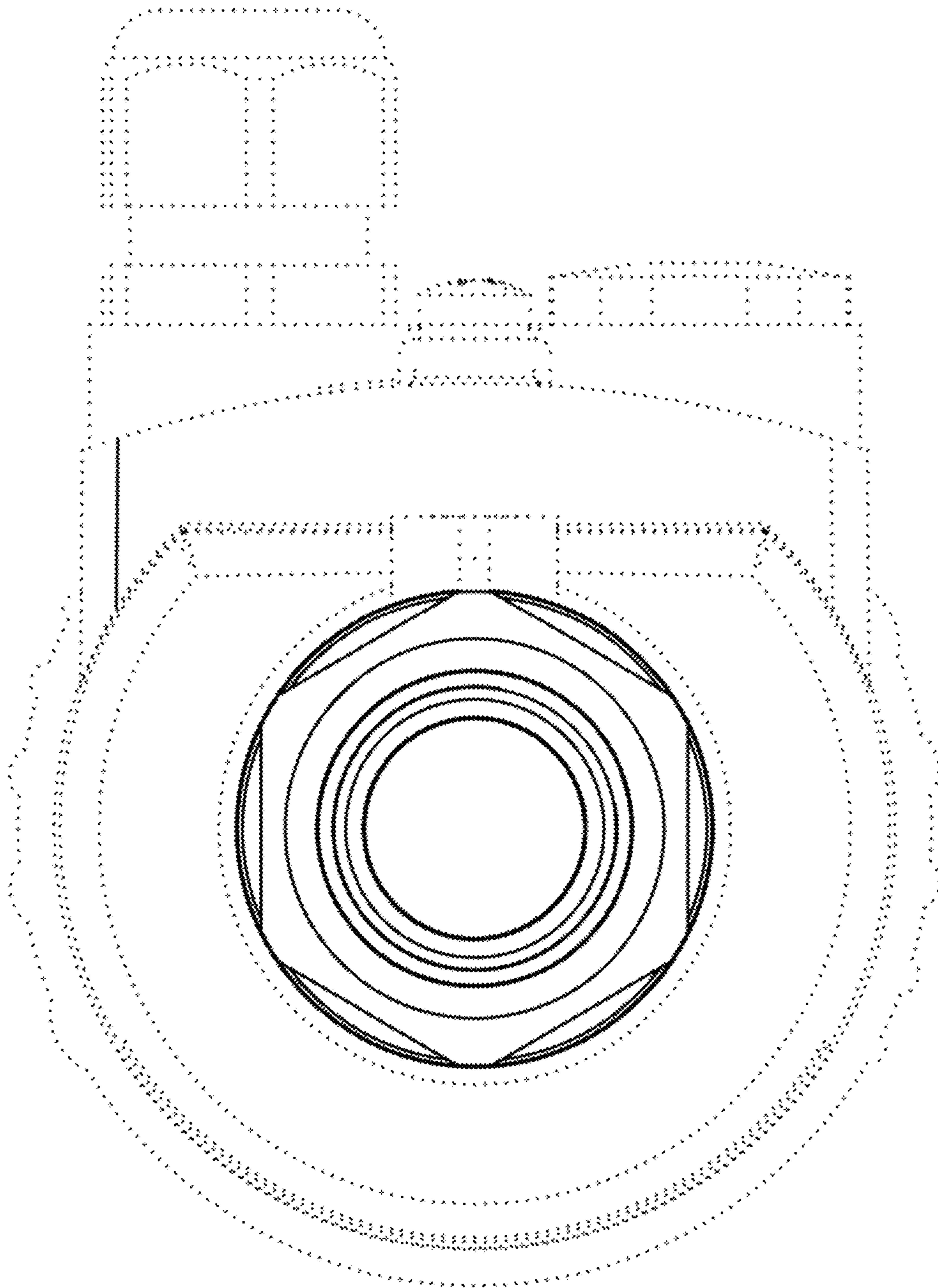
D623,141 S * 9/2010 Amidon D13/133
D633,768 S * 3/2011 Adkins D8/70
D647,548 S * 10/2011 Savill, Jr. D15/144
D681,434 S * 5/2013 Wang D8/387
D694,661 S * 12/2013 Vinnage D10/101
8,661,892 B2 * 3/2014 Jacob G01F 23/164
73/304 C
8,763,453 B2 * 7/2014 Reimelt G01F 23/284
333/252
8,806,970 B2 * 8/2014 Liu F16L 19/062
376/203
D715,663 S * 10/2014 Sum D10/101
D738,760 S * 9/2015 Lenk D10/74
9,234,783 B2 * 1/2016 O.beta.wald G01F 23/284
D787,967 S * 5/2017 Rhoads D10/101
D792,259 S * 7/2017 Haworth D10/101
D795,727 S * 8/2017 Haworth D10/101
D813,278 S * 3/2018 Savill, Jr. D15/144
2006/0169056 A1 * 8/2006 Dockendorff G01F 23/2965
73/861.23
2015/0122013 A1 * 5/2015 Lenk G01F 23/284
73/290 V
2017/0162928 A1 * 6/2017 Fehrenbach H01Q 1/1214

* cited by examiner

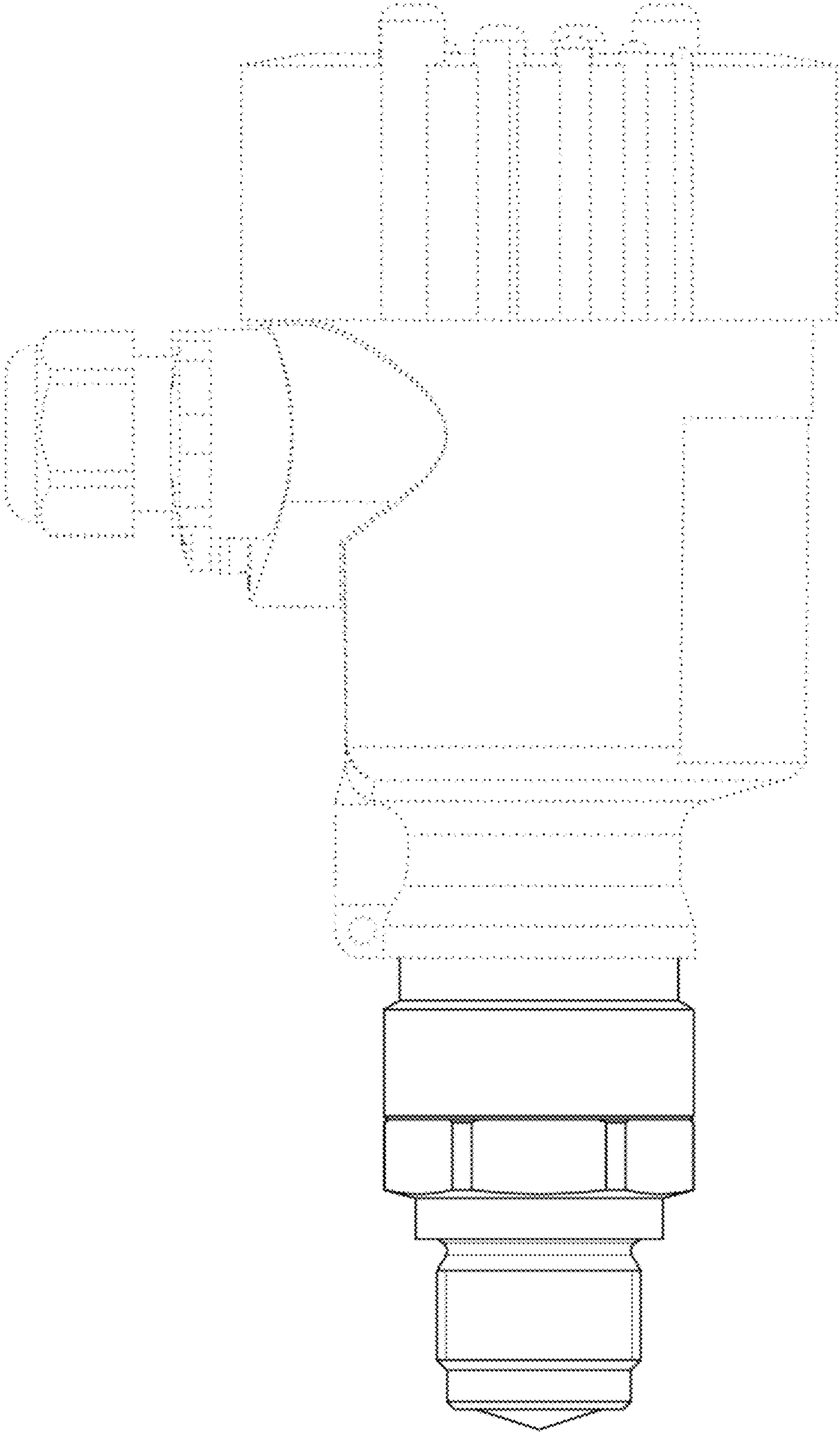
1.1



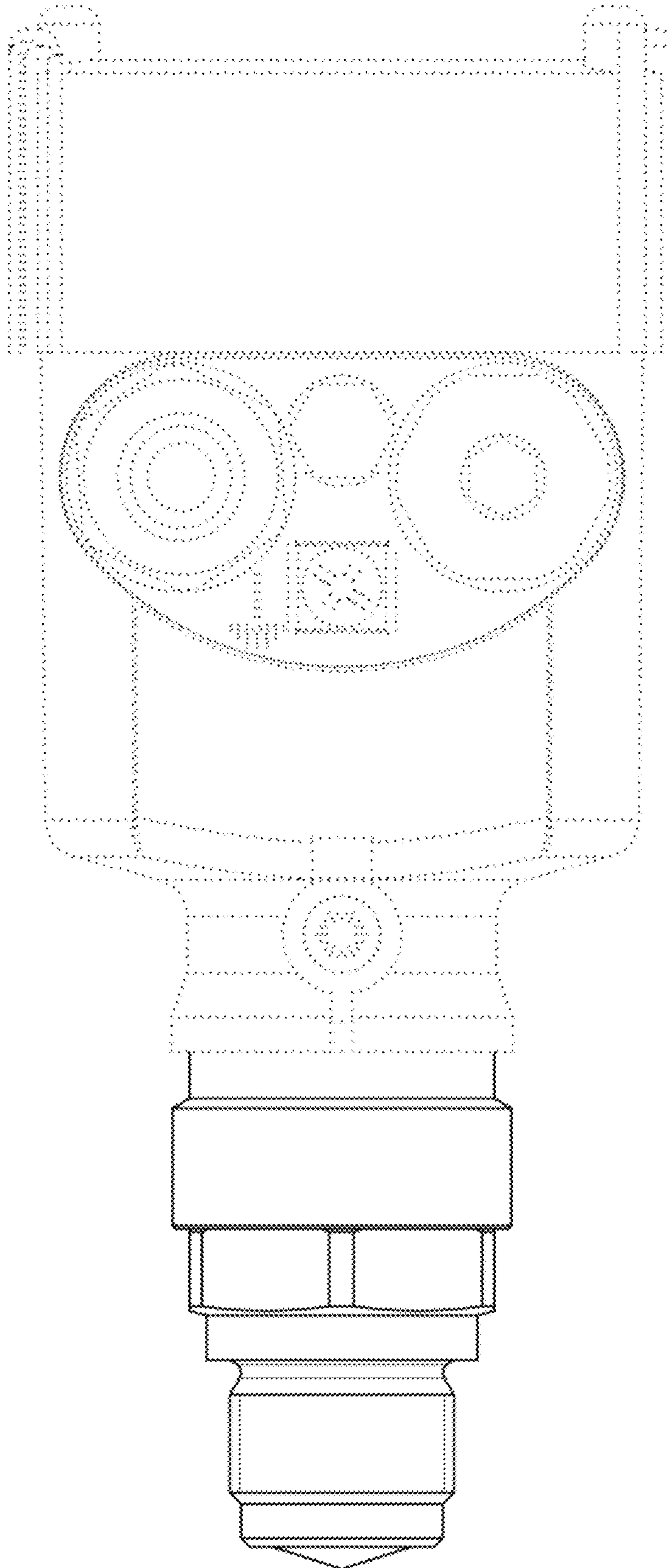
1.2



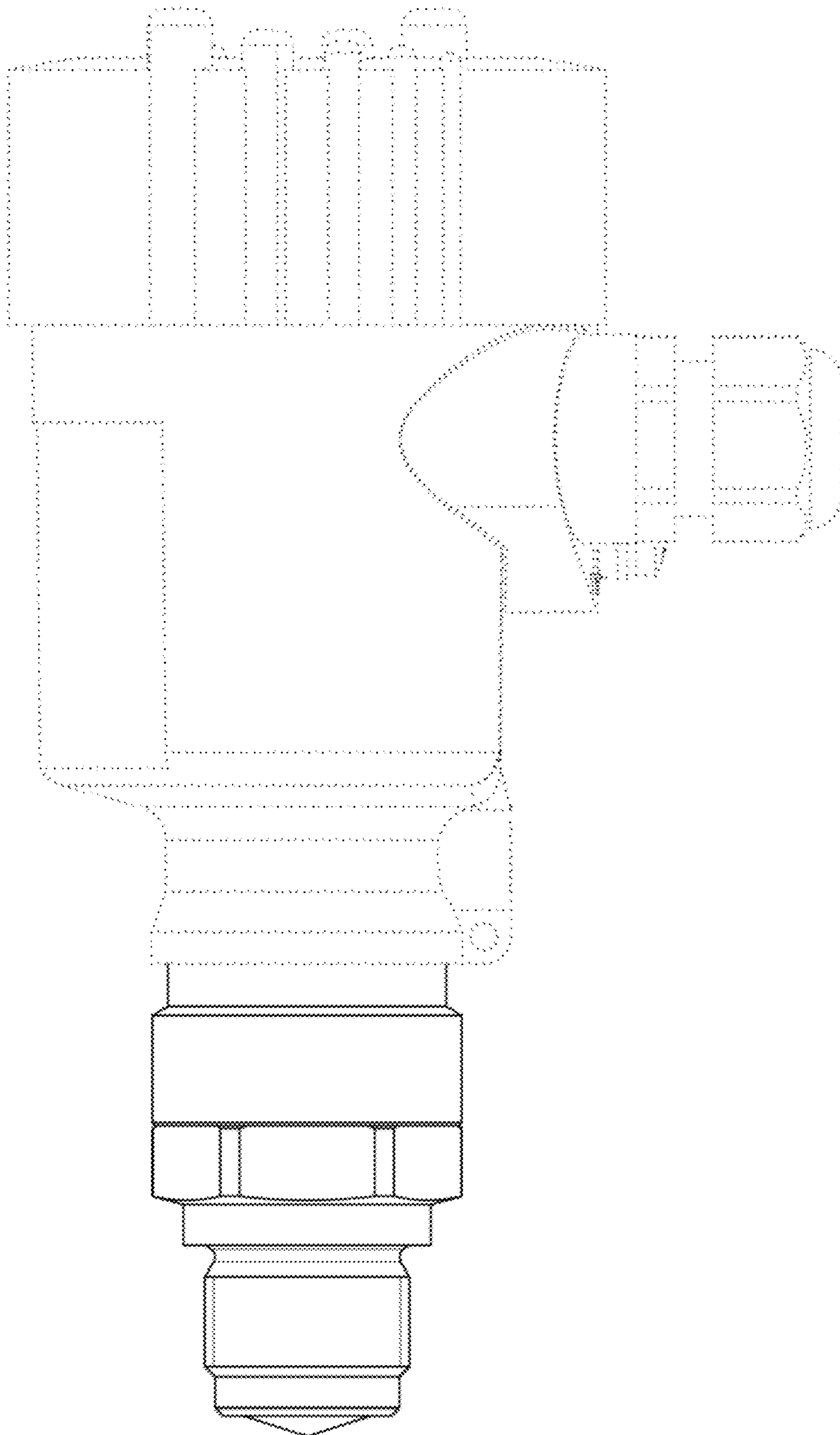
1.3



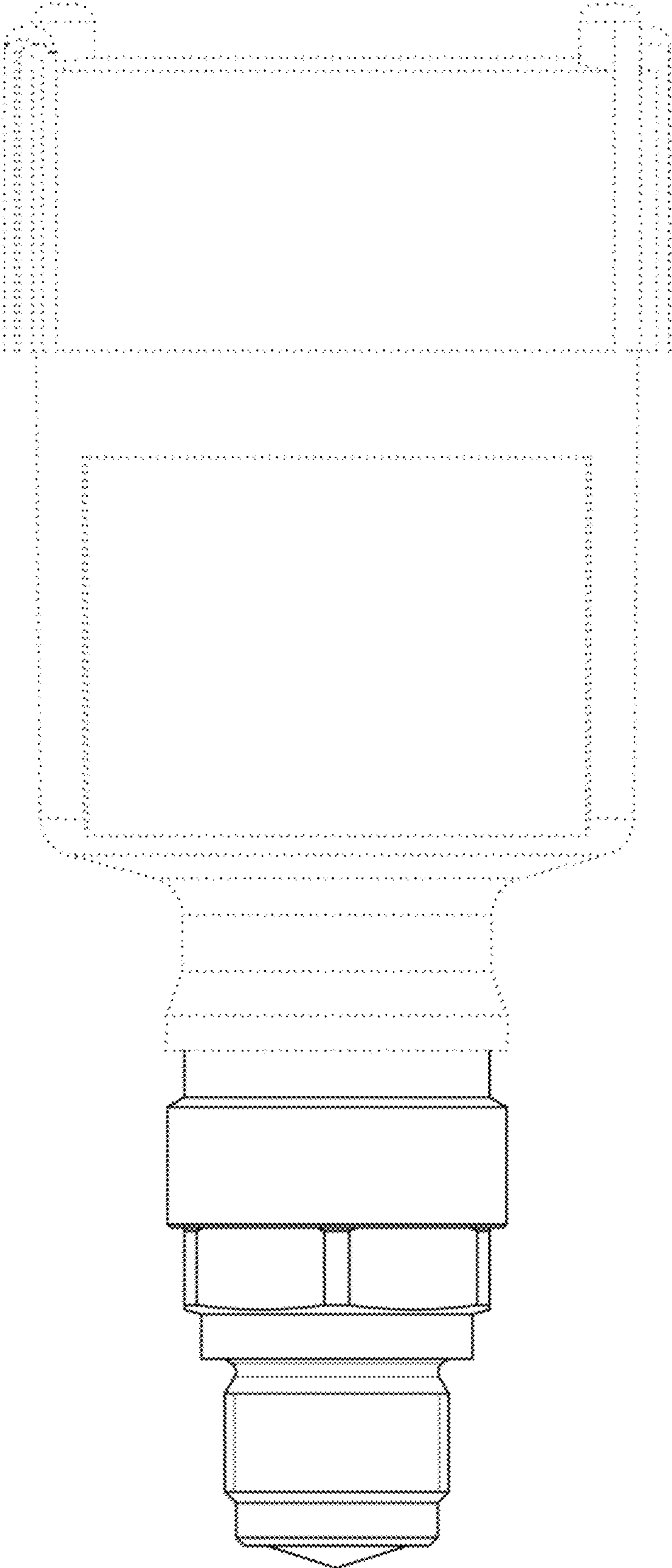
1.4



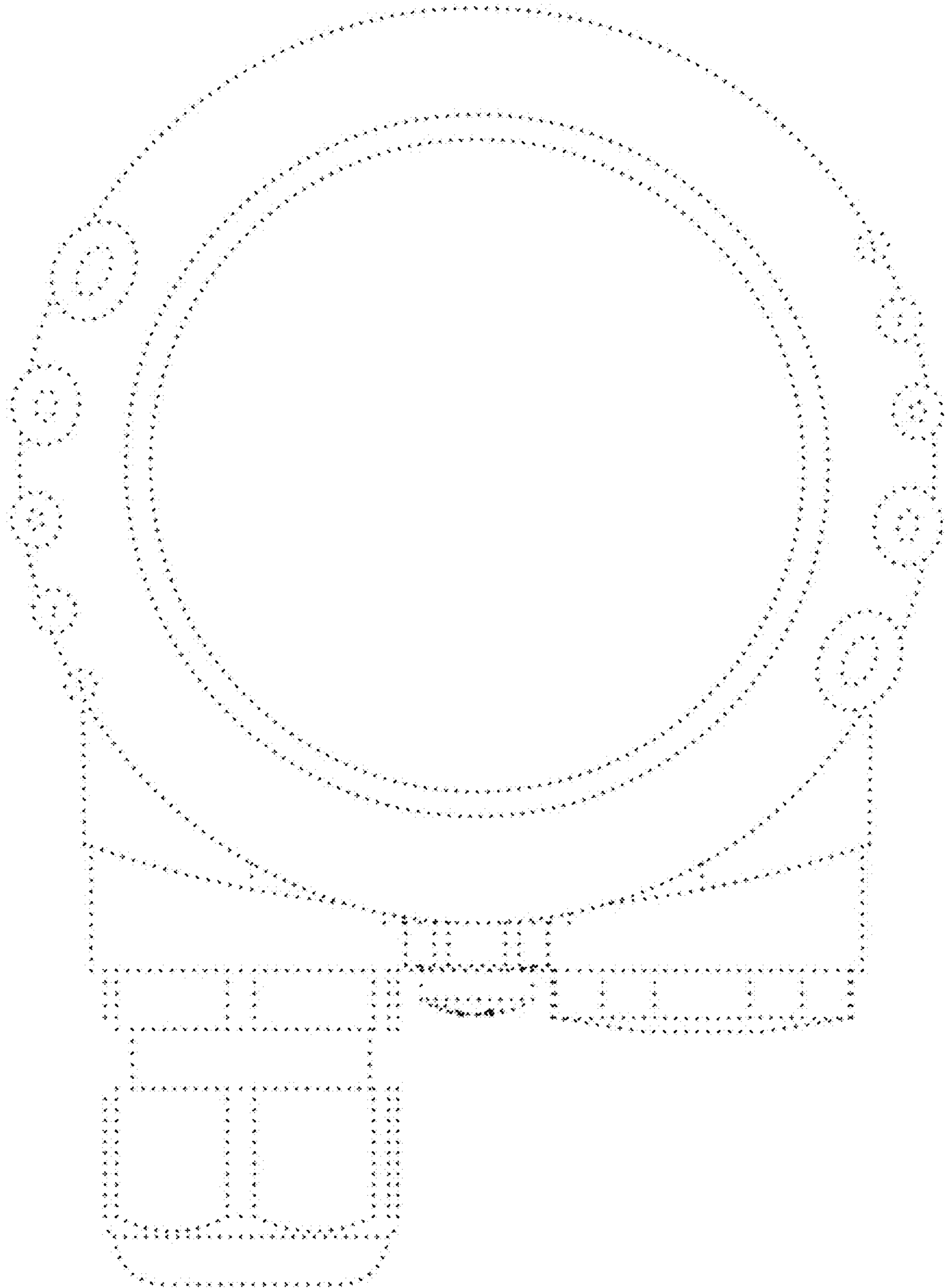
1.5



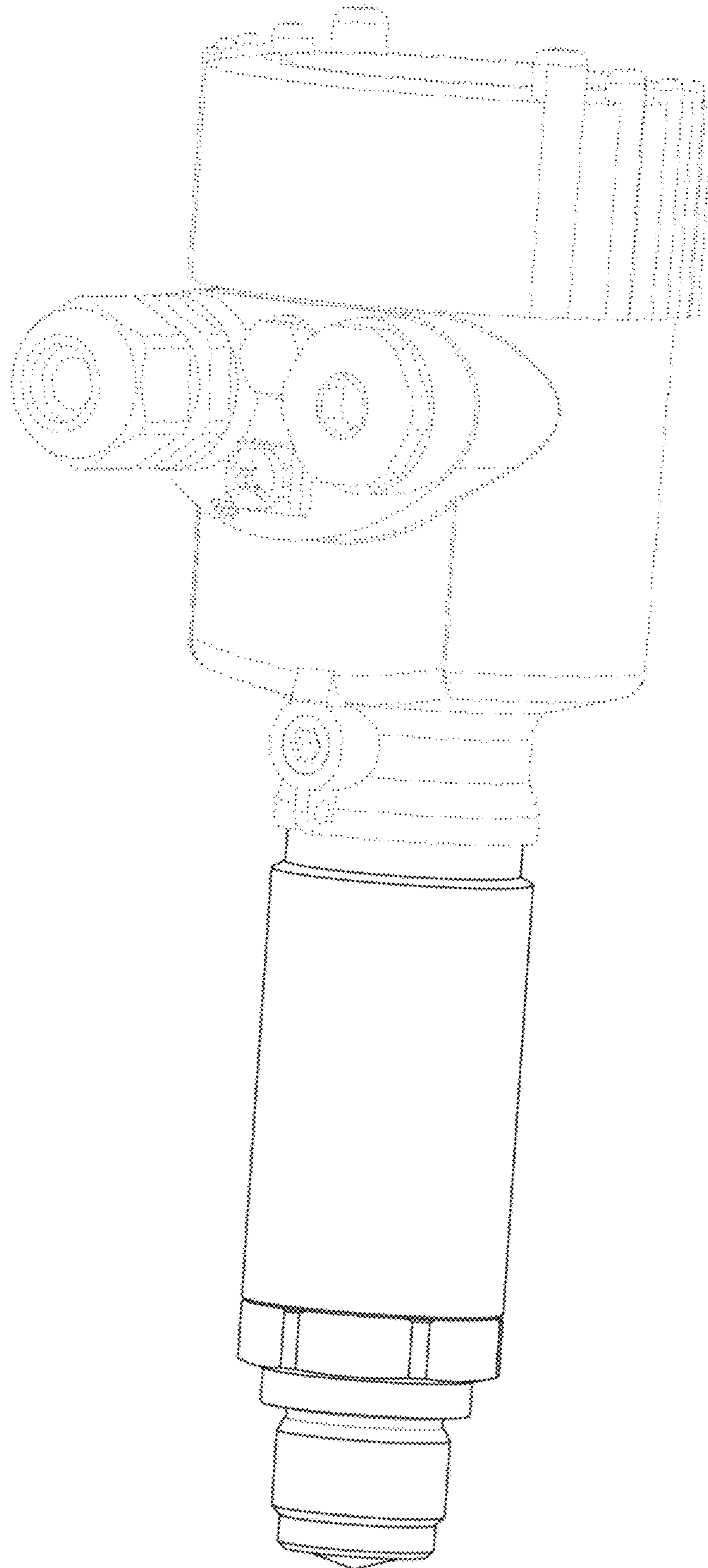
1.6



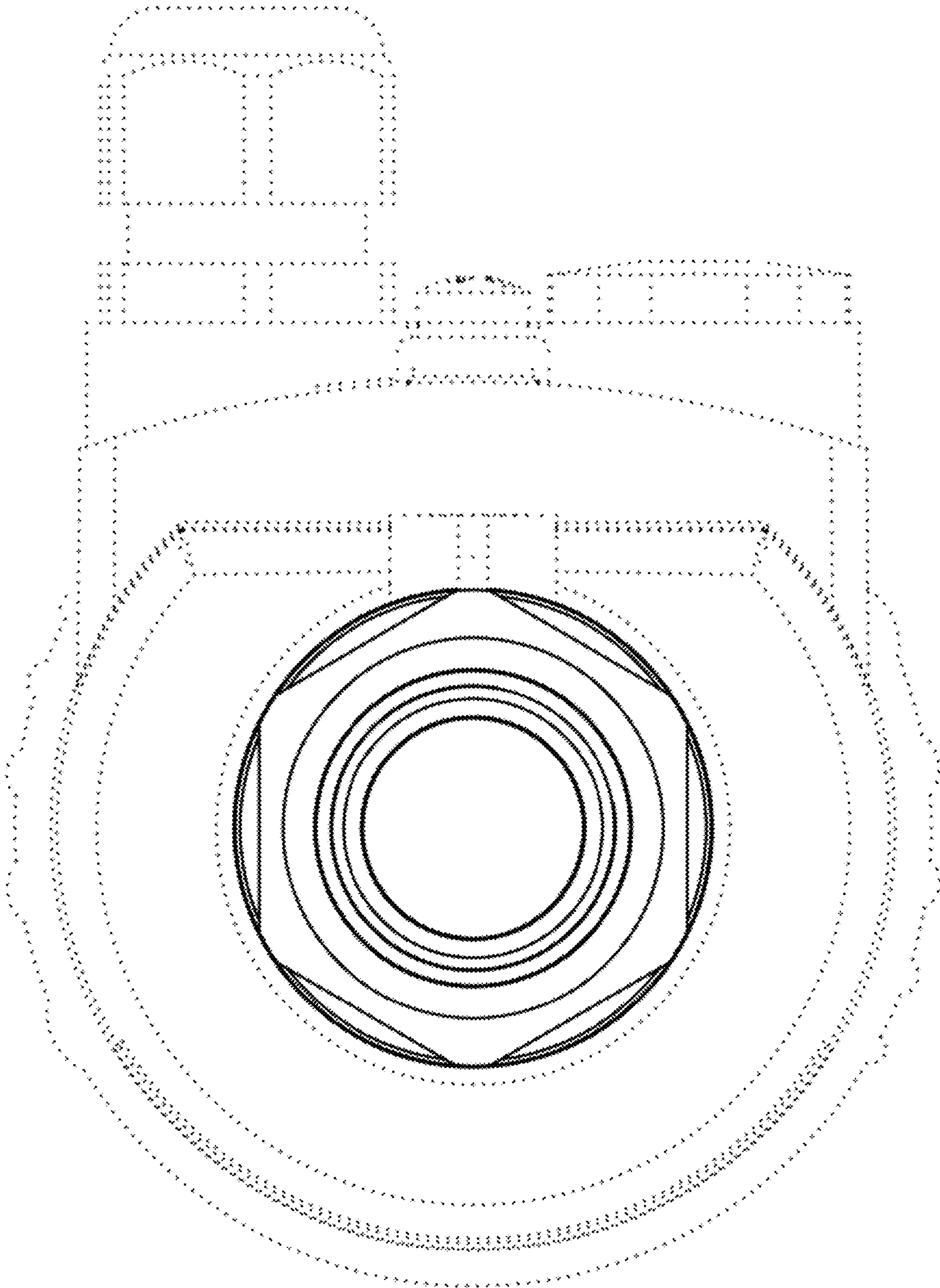
1.7



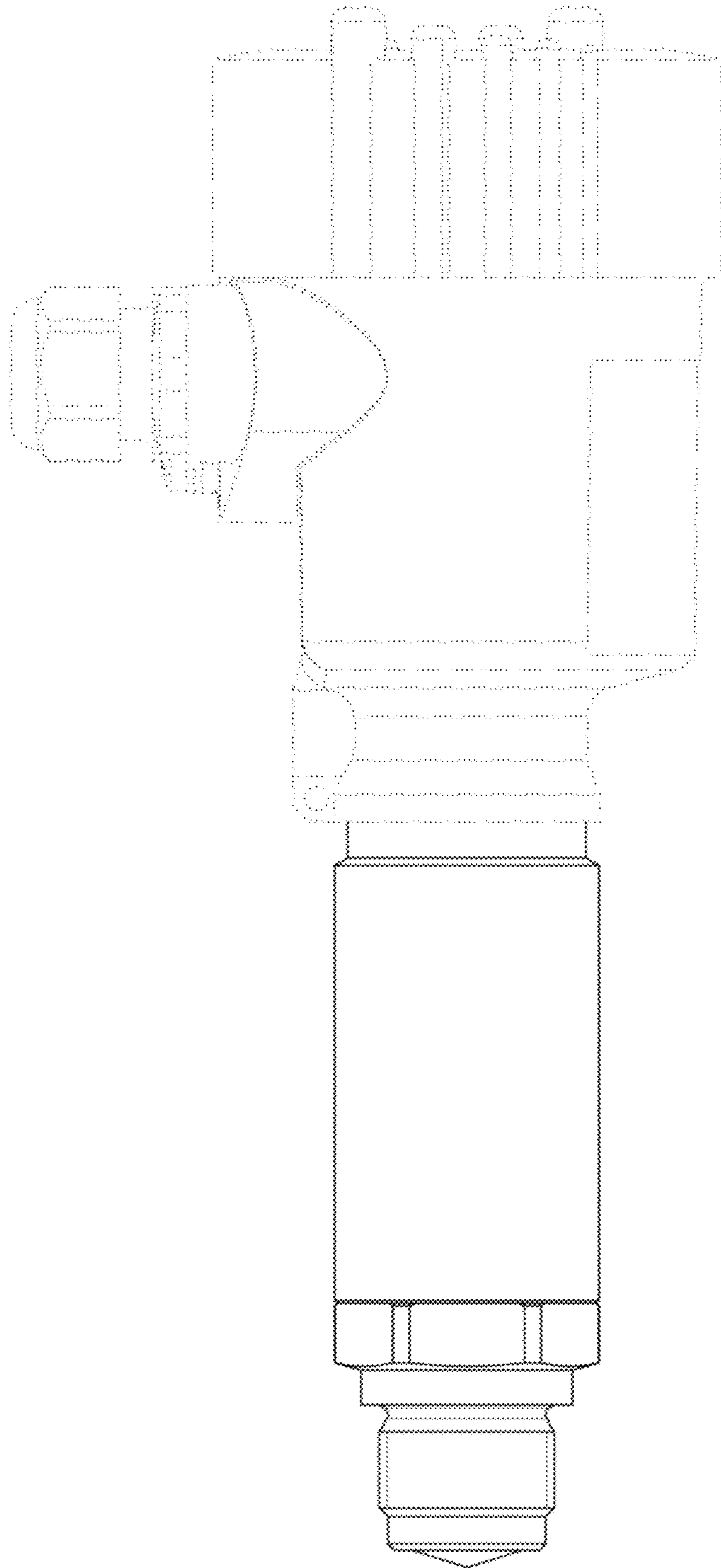
2.1



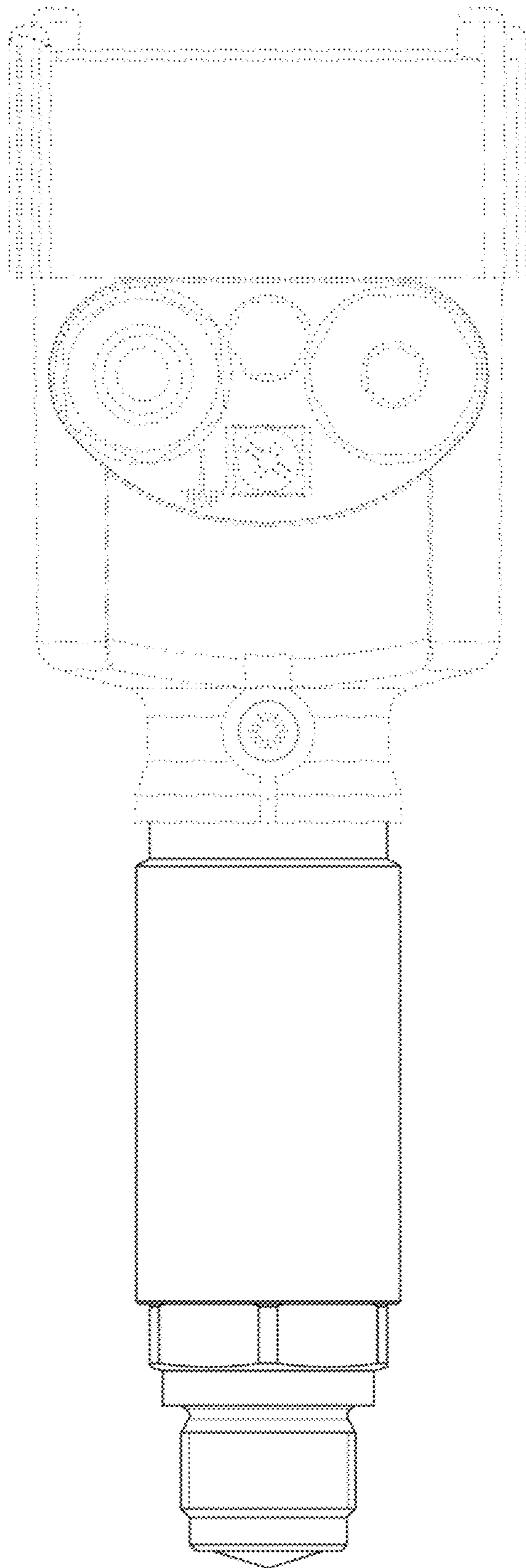
2.2



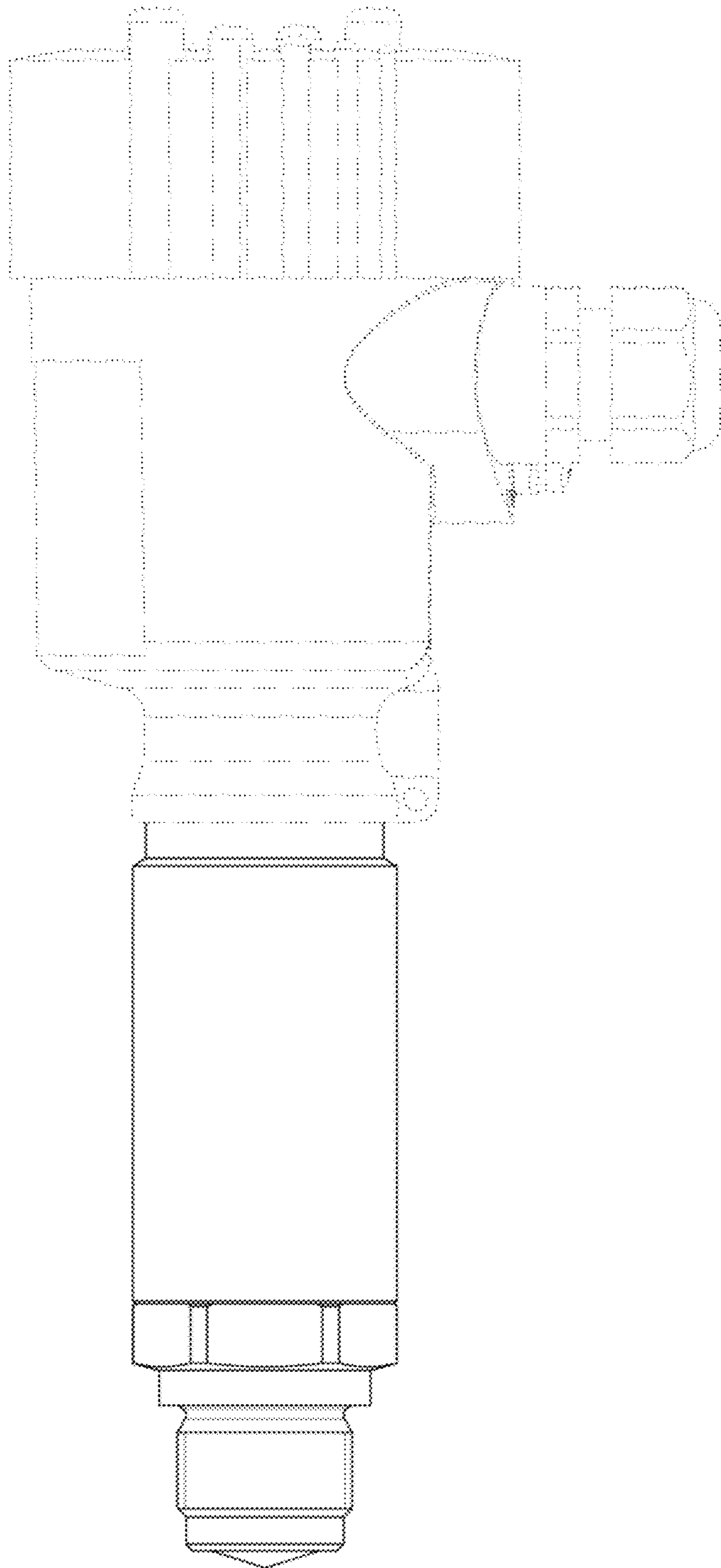
2.3



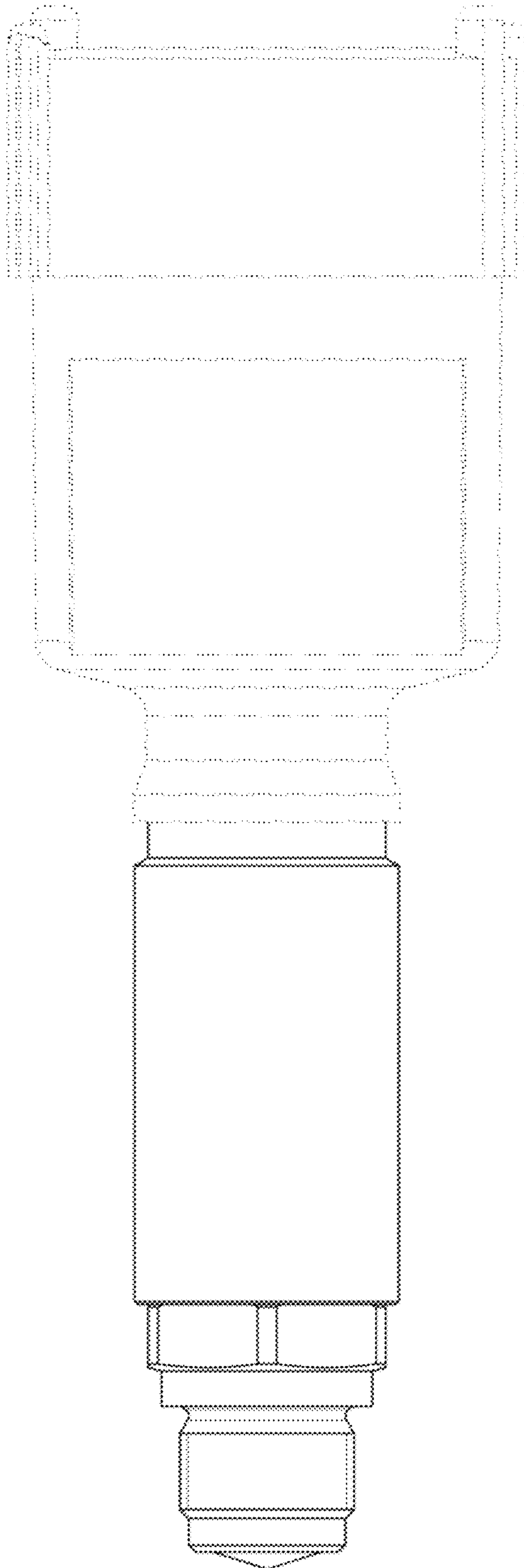
2.4



2.5



2.6



2.7

