



US00D845157S

(12) **United States Design Patent**
Lu

(10) **Patent No.:** **US D845,157 S**
(45) **Date of Patent:** **** Apr. 9, 2019**

- (54) **SPIRIT LEVEL (FL-S878)**
- (71) Applicant: **Yuyao Fly Dragon Hardware Measuring Tool Co., Ltd., Ningbo (CN)**
- (72) Inventor: **Jianding Lu, Ningbo (CN)**
- (73) Assignee: **Yuyao Fly Dragon Hardware Measuring Tool Co., Ltd., Ningbo (CN)**
- (**) Term: **15 Years**
- (21) Appl. No.: **29/635,441**
- (22) Filed: **Jan. 31, 2018**
- (51) **LOC (11) Cl.** **10-04**
- (52) **U.S. Cl.**
USPC **D10/69**
- (58) **Field of Classification Search**
USPC D10/69
CPC ... G01C 9/24; G01C 9/26; G01C 9/28; G01C 9/30; G01C 9/32; G01C 9/34; G01C 9/36; G01C 9/00; G01C 9/005; G01C 9/02; G01C 9/04; G01C 9/06; G01C 9/08; G01C 9/10; G01C 9/12; G01C 9/14; G01C 9/16; G01C 9/18; G01C 9/20; G01C 9/22; G01C 2009/005; G01C 2009/062; G01C 2009/064; G01C 2009/066; G01C 2009/068; G01C 2009/102; G01C 2009/105; G01C

2009/107; G01C 2009/182; G01C 2009/185; G01C 2009/187

See application file for complete search history.

(56) **References Cited**

U.S. PATENT DOCUMENTS

D412,857 S *	8/1999	Howard	D10/69
D472,168 S *	3/2003	Levinson	D10/69
D786,718 S *	5/2017	Burge	D10/69
D792,249 S *	7/2017	Bosanac	D10/62

* cited by examiner

Primary Examiner — Antoine Duval Davis

(57) **CLAIM**

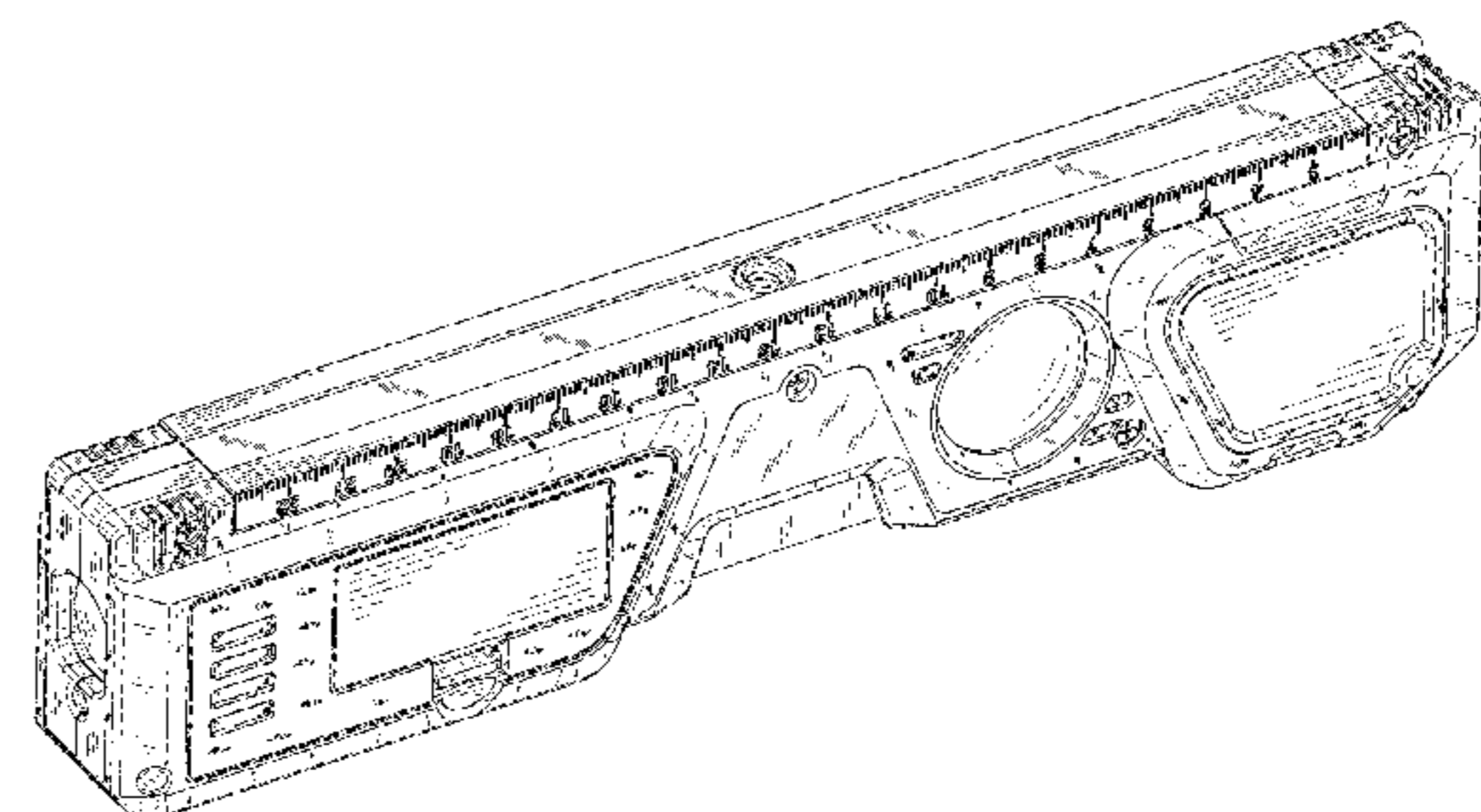
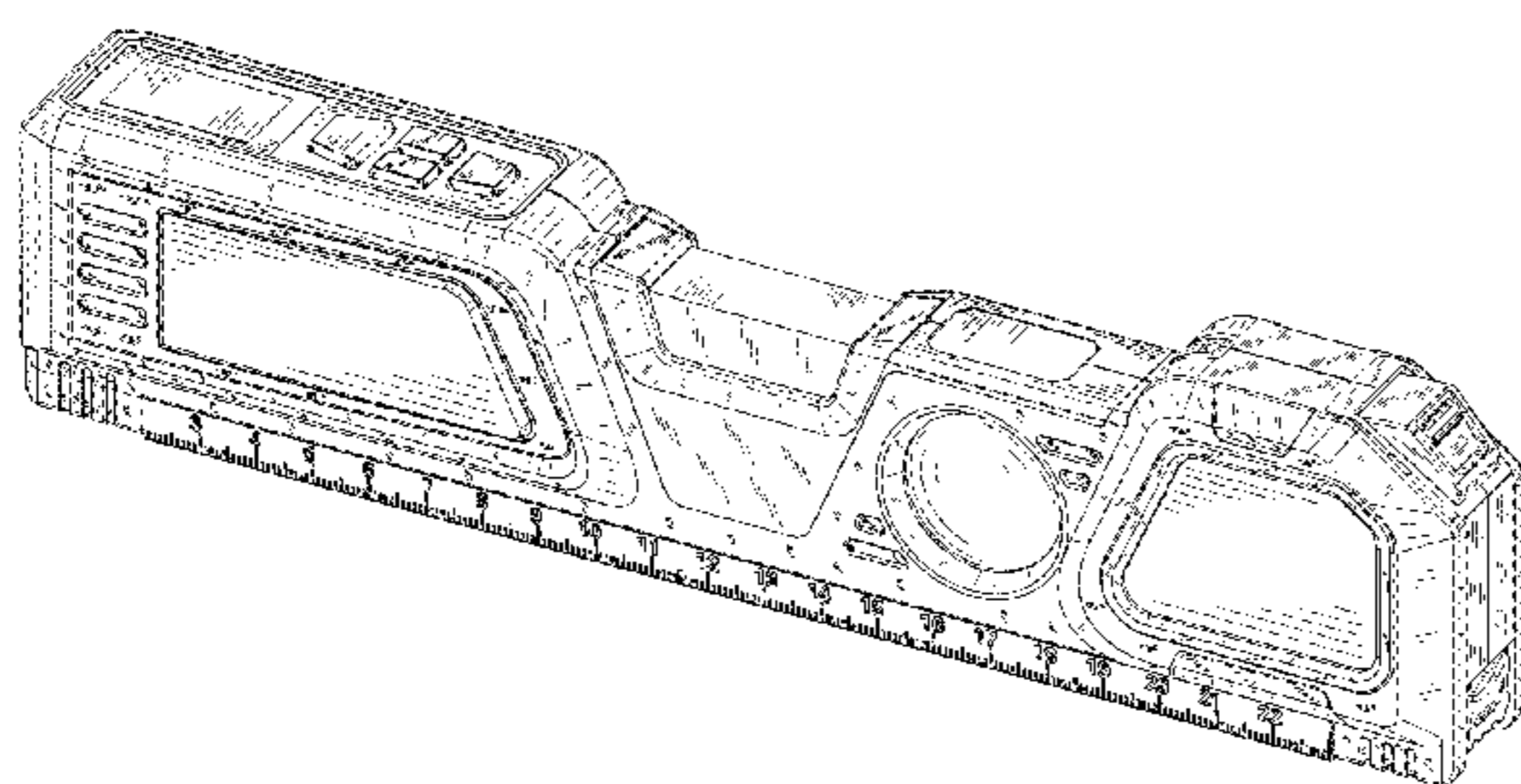
The ornamental design for a spirit level (FL-S878), as shown and described.

DESCRIPTION

FIG. 1 is a perspective view (ISO view 01) of a spirit level (FL-S878) showing the new design; FIG. 2 is another perspective view (ISO view 02) thereof; FIG. 3 is a front side view thereof; FIG. 4 is a back side view thereof; FIG. 5 is a left side view thereof; FIG. 6 is a right side view thereof; FIG. 7 is a top view thereof; and, FIG. 8 is a bottom view thereof.

The broken lines in the drawings depict environmental subject matter only and form no part of the claimed design.

1 Claim, 8 Drawing Sheets



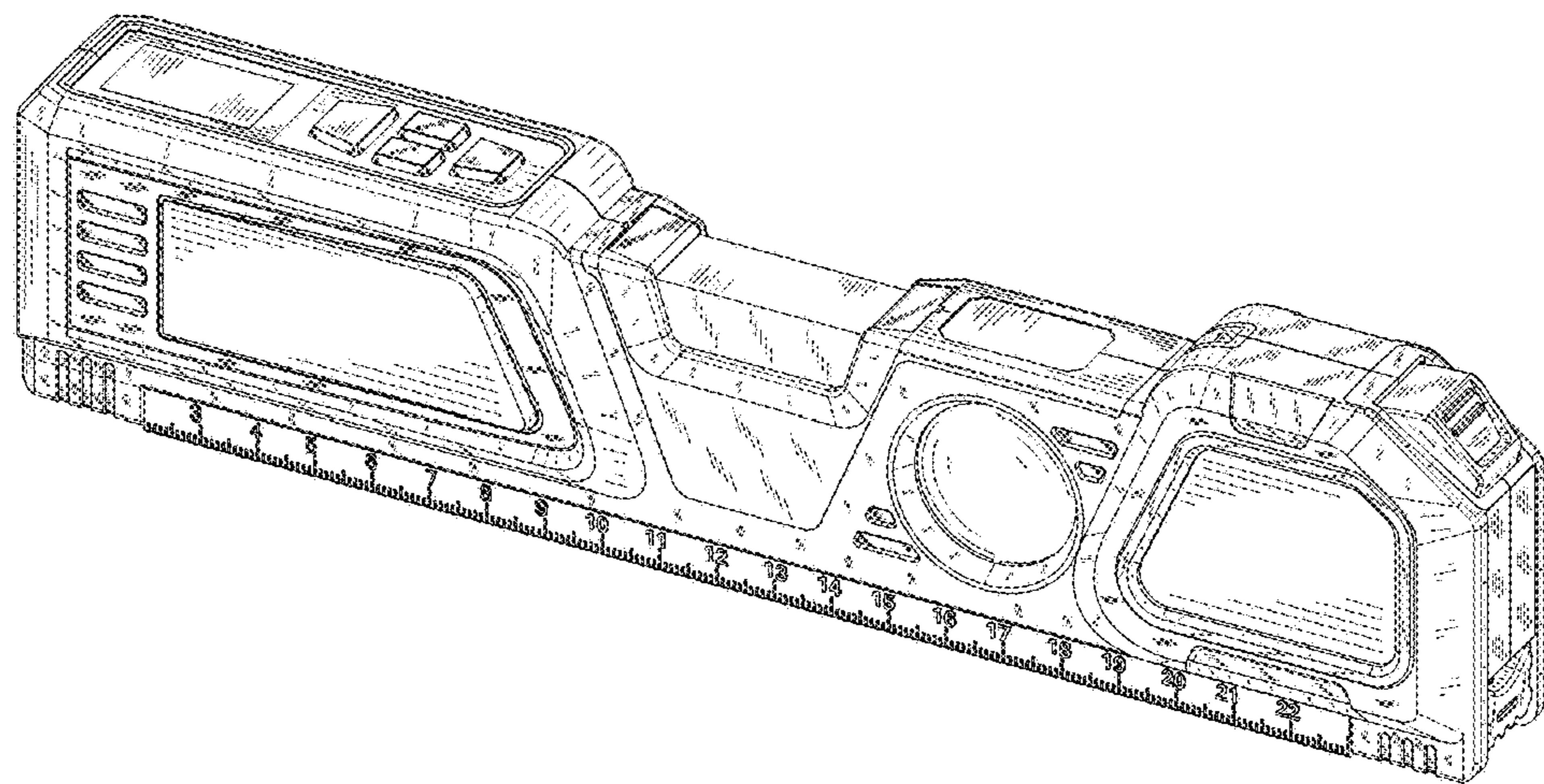


FIG .1

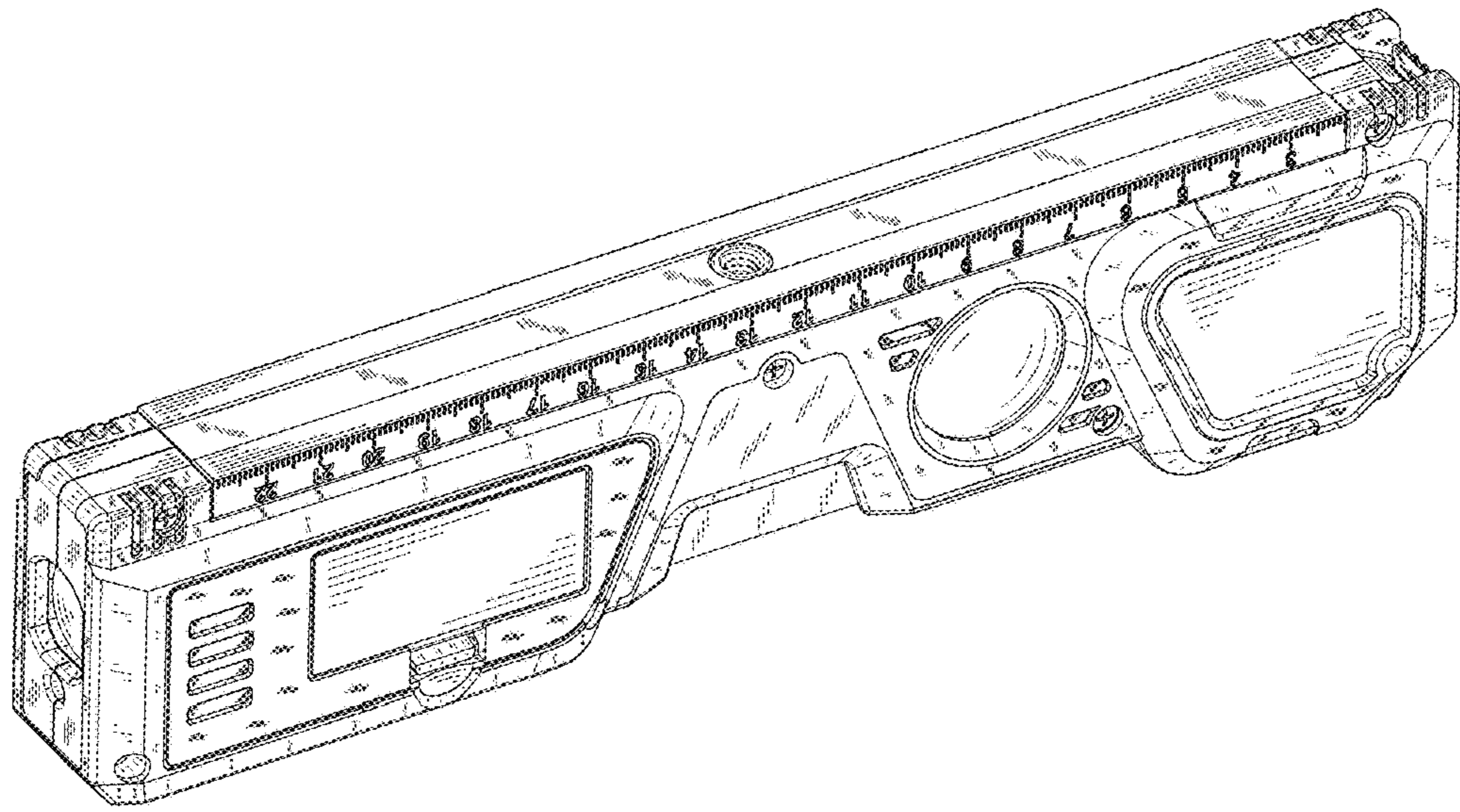


FIG .2

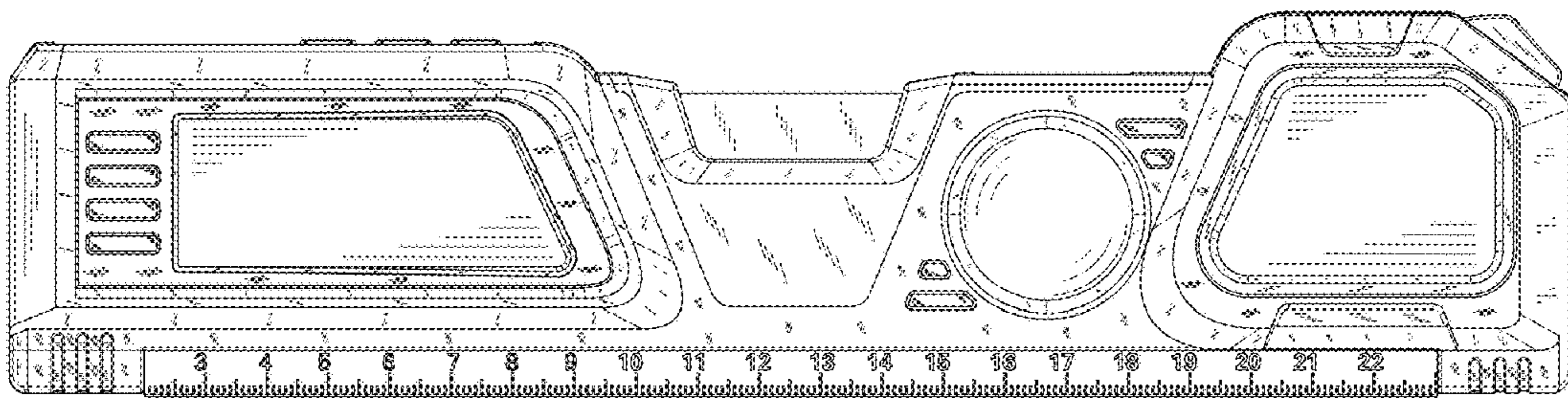


FIG .3

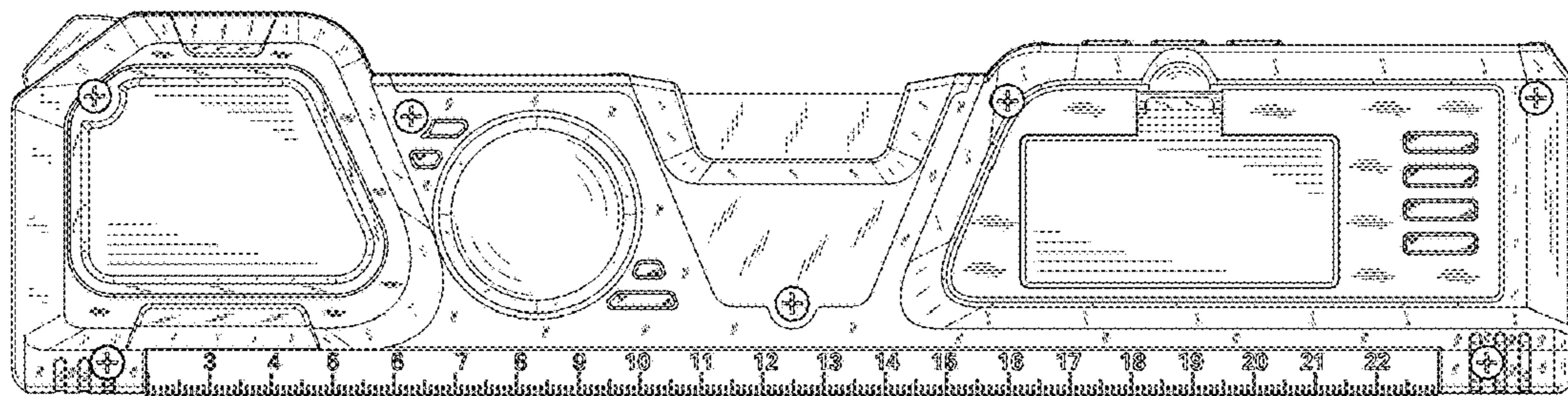


FIG .4

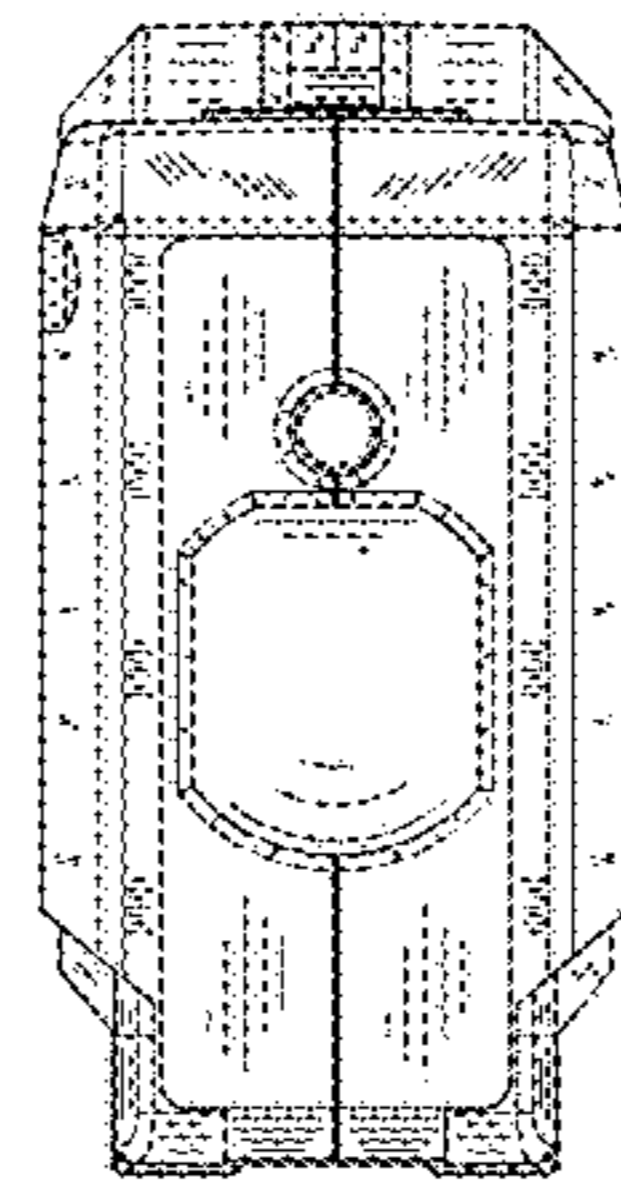


FIG .5

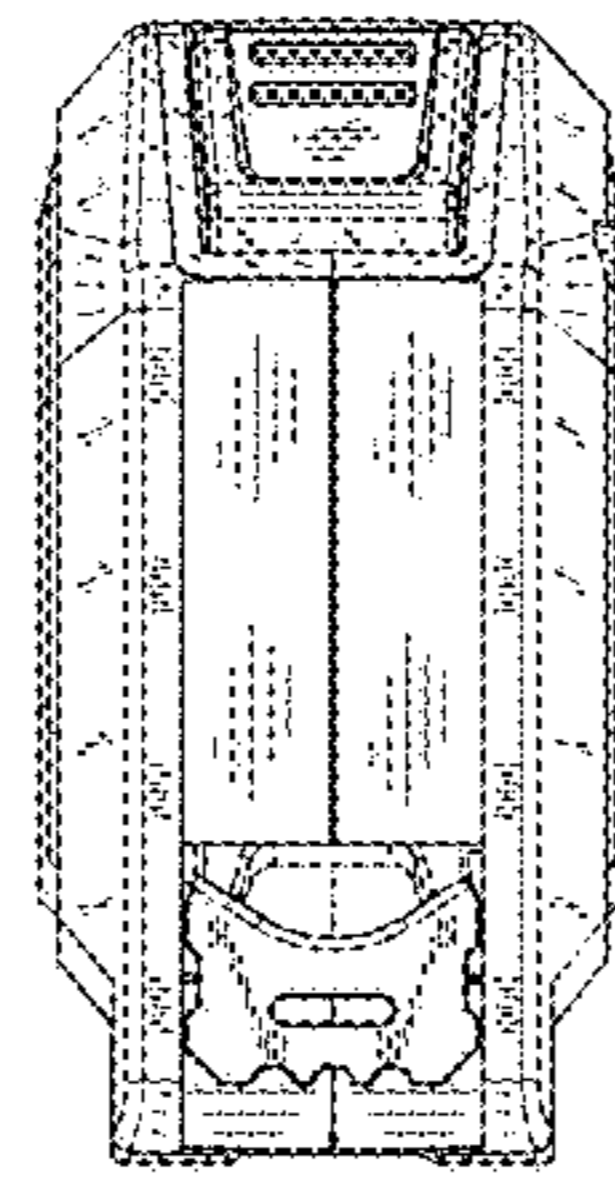


FIG .6

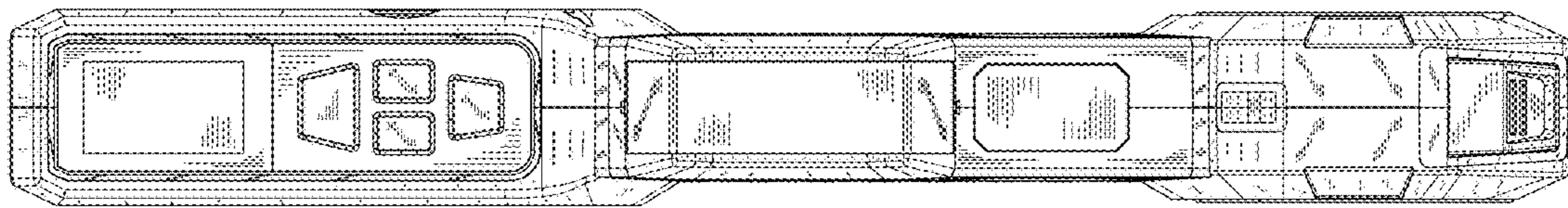


FIG .7

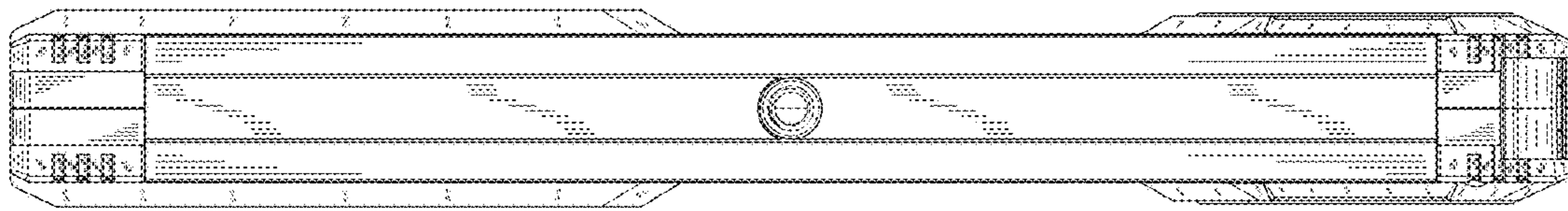


FIG .8