



US00D845154S

(12) **United States Design Patent**
Yu

(10) **Patent No.:** **US D845,154 S**
(45) **Date of Patent:** **** Apr. 9, 2019**

(54) **WIRELESS BARBECUE THERMOMETER RECEIVER**

D752,997 S * 4/2016 Miller D10/52
D765,523 S * 9/2016 Chapman D10/57
9,625,327 B1 * 4/2017 Bernstein G01K 1/022

(71) Applicant: **FUZHOU ESUN ELECTRONIC CO., LTD**, Fuzhou, Fujian (CN)

* cited by examiner

(72) Inventor: **Guo Yu**, Fujian (CN)

Primary Examiner — Antoine Duval Davis

(73) Assignee: **FUZHOU ESUN ELECTRONIC CO., LTD**, Fuzhou (CN)

(57) **CLAIM**

(**) Term: **15 Years**

The ornamental design for a wireless barbecue thermometer receiver, as shown and described.

(21) Appl. No.: **29/636,364**

DESCRIPTION

(22) Filed: **Feb. 8, 2018**

(51) **LOC (11) Cl.** **10-04**

(52) **U.S. Cl.**
USPC **D10/57; D10/78**

(58) **Field of Classification Search**
USPC D10/57, 78
CPC G01K 2207/02; G01K 2207/04; G01K 2207/06; G01K 2207/08
See application file for complete search history.

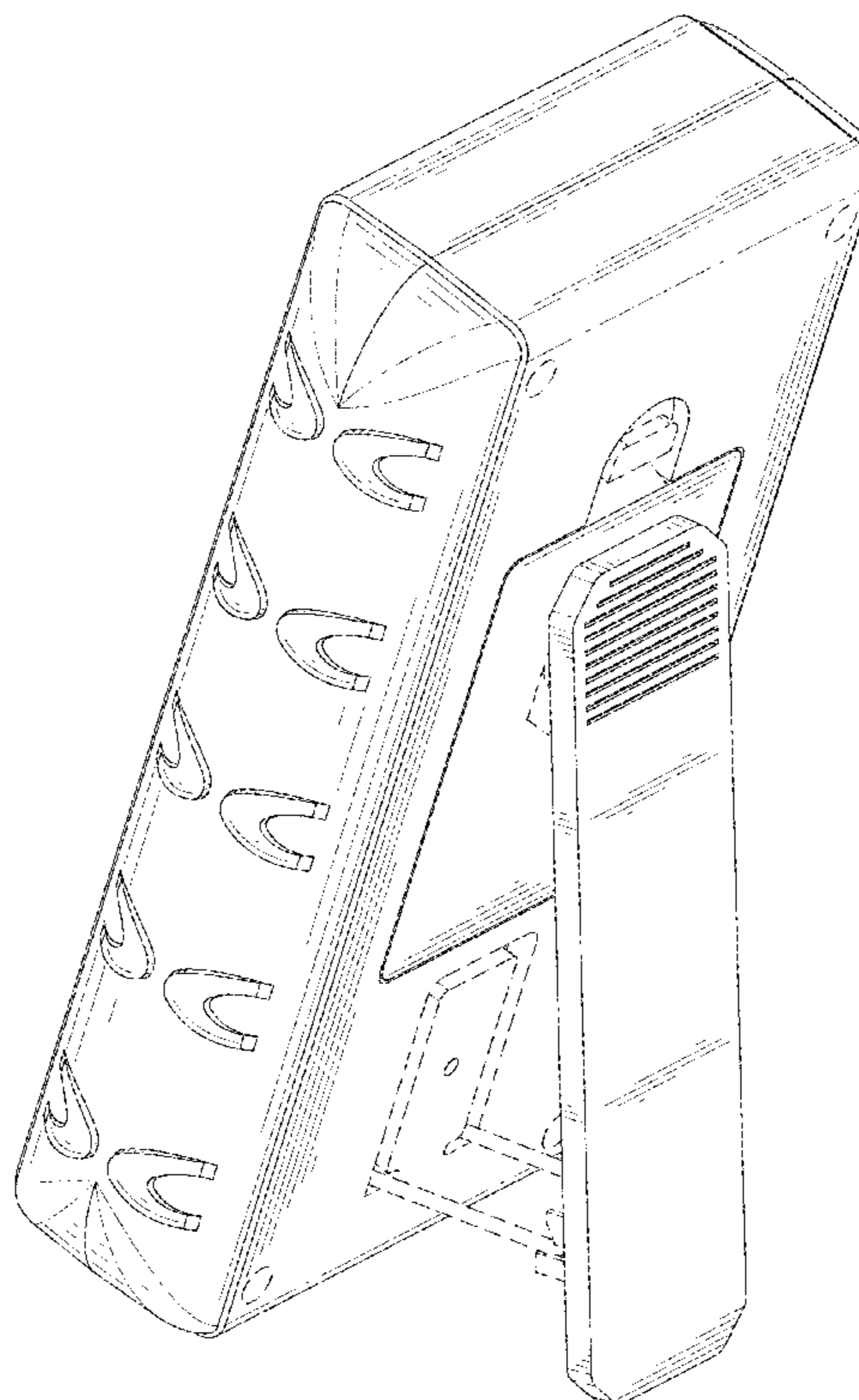
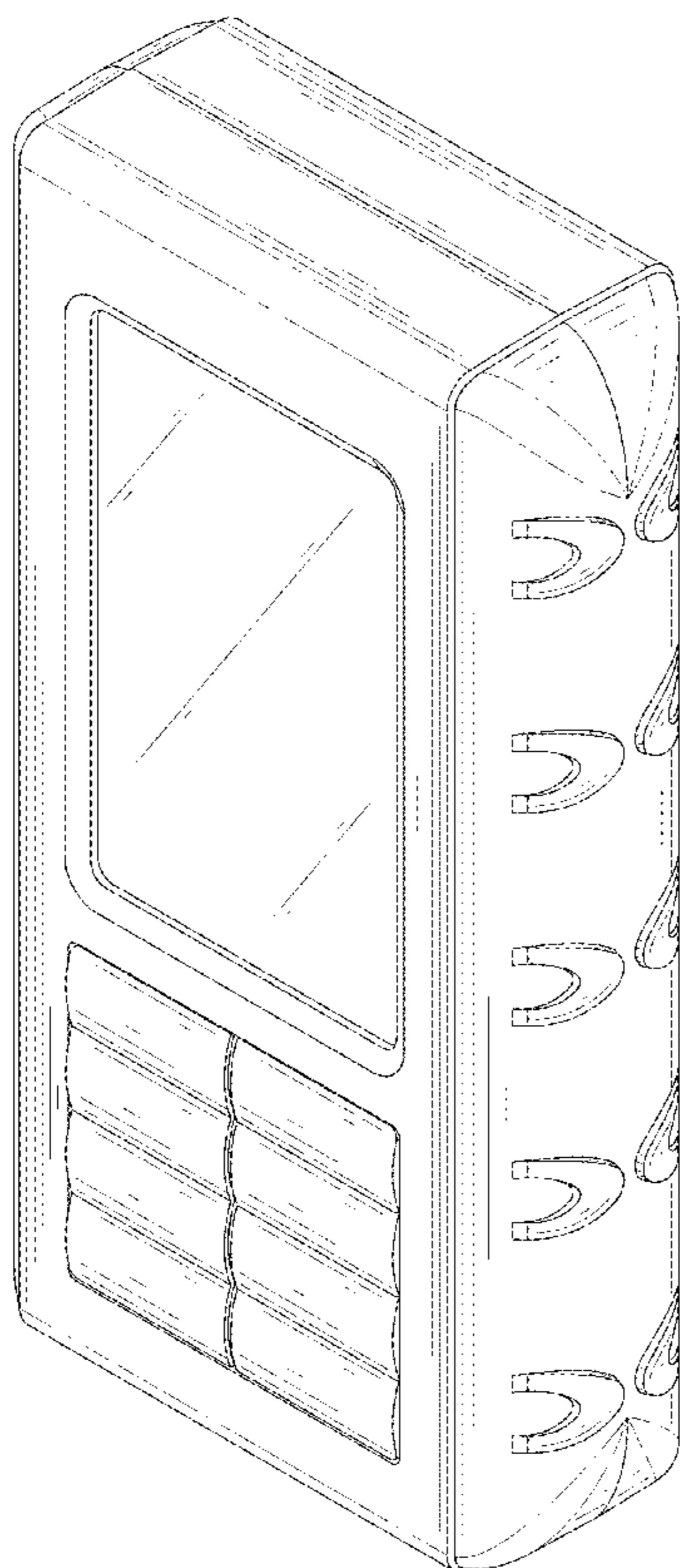
FIG. 1 is a first perspective view of a wireless barbecue thermometer receiver showing my new design; FIG. 2 is a second perspective view thereof; FIG. 3 is a front elevational view thereof; FIG. 4 is a rear elevational view thereof; FIG. 5 is a left side view thereof; FIG. 6 is a top plan view thereof; FIG. 7 is a bottom plan view thereof; and, FIG. 8 is a third perspective view showing the wireless barbecue thermometer receiver in a use state. The broken lines in the drawings illustrate portions of the wireless barbecue thermometer receiver which form no part of the claimed design. The diagonal lines in the drawings indicate transparency.

(56) **References Cited**

U.S. PATENT DOCUMENTS

6,568,848 B1 * 5/2003 Chapman G01K 1/024
340/870.17
7,201,099 B2 * 4/2007 Harris, Jr. G01K 1/02
374/E1.002

1 Claim, 8 Drawing Sheets



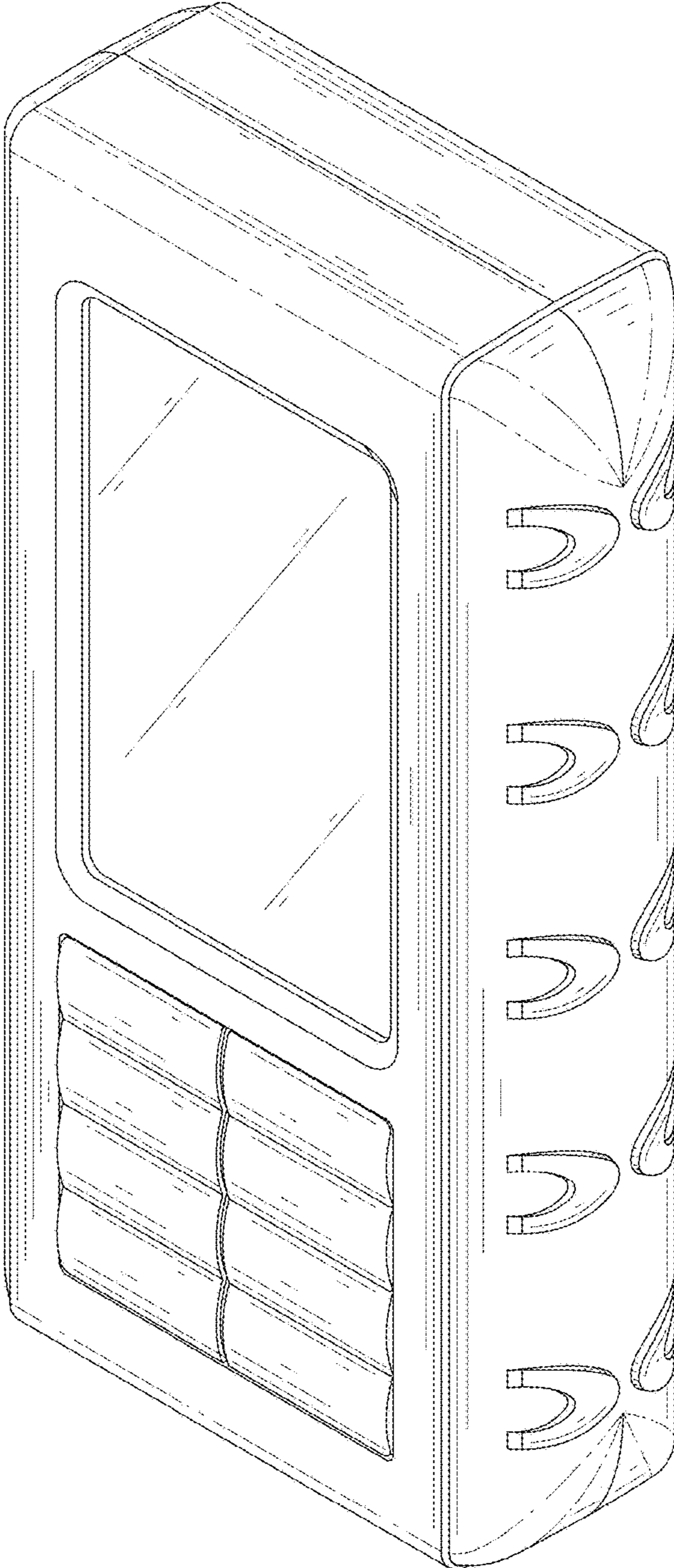


FIG. 1

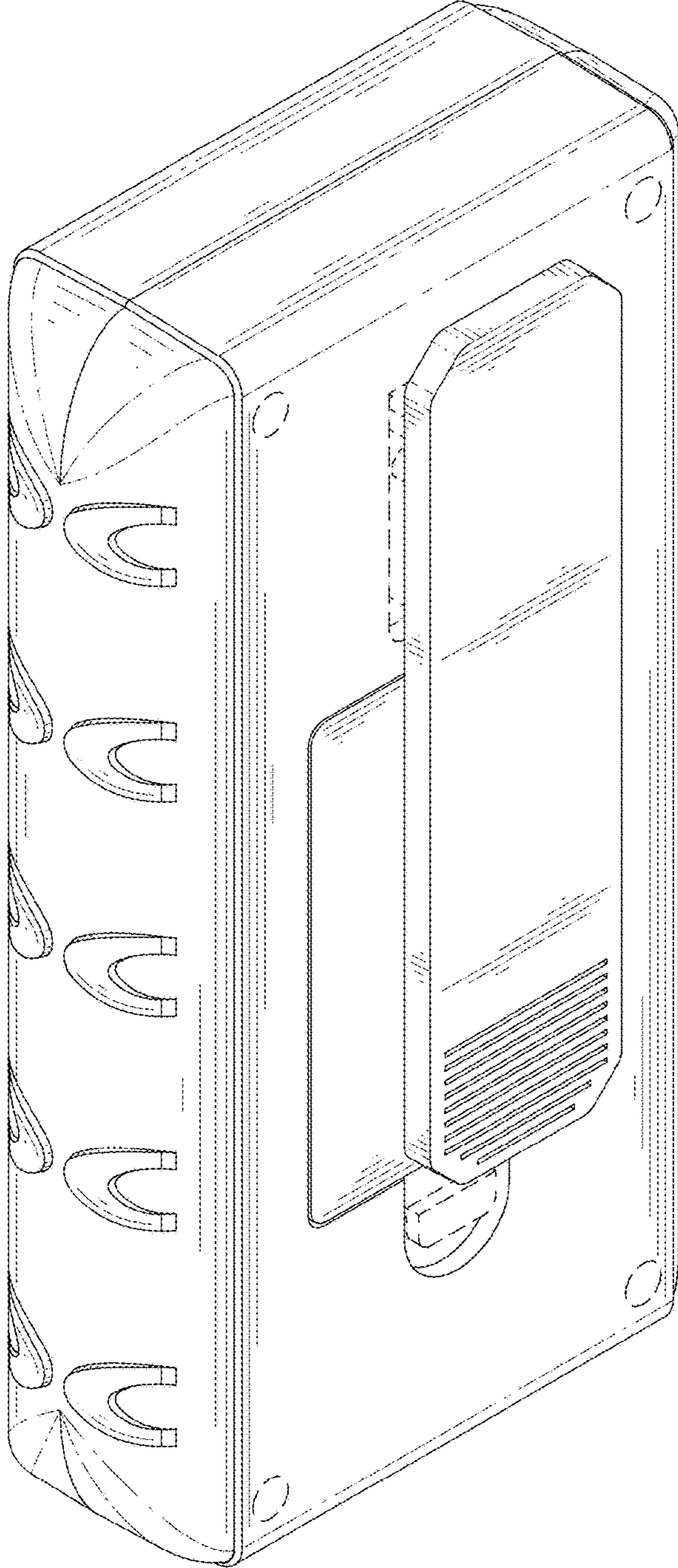


FIG. 2

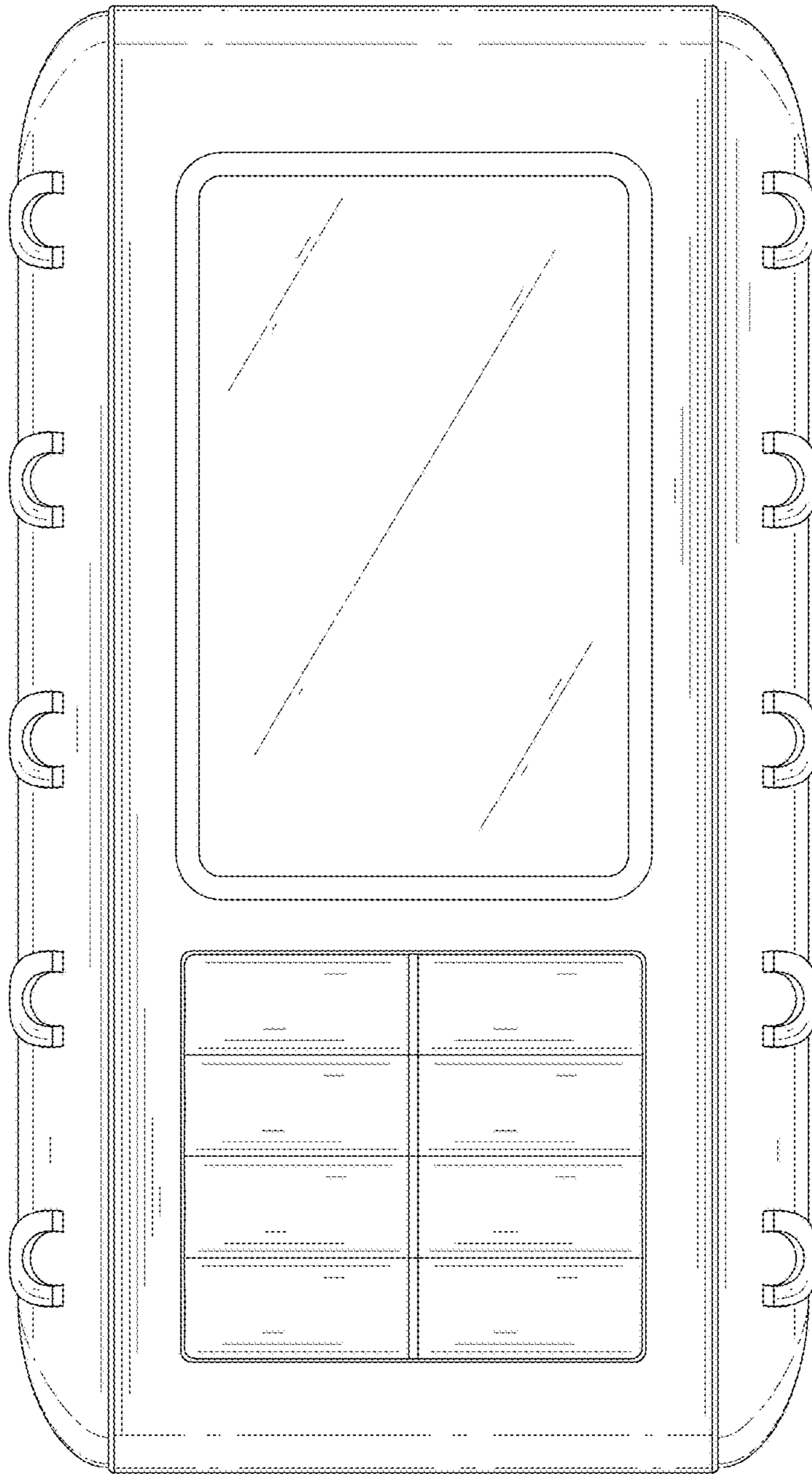


FIG. 3

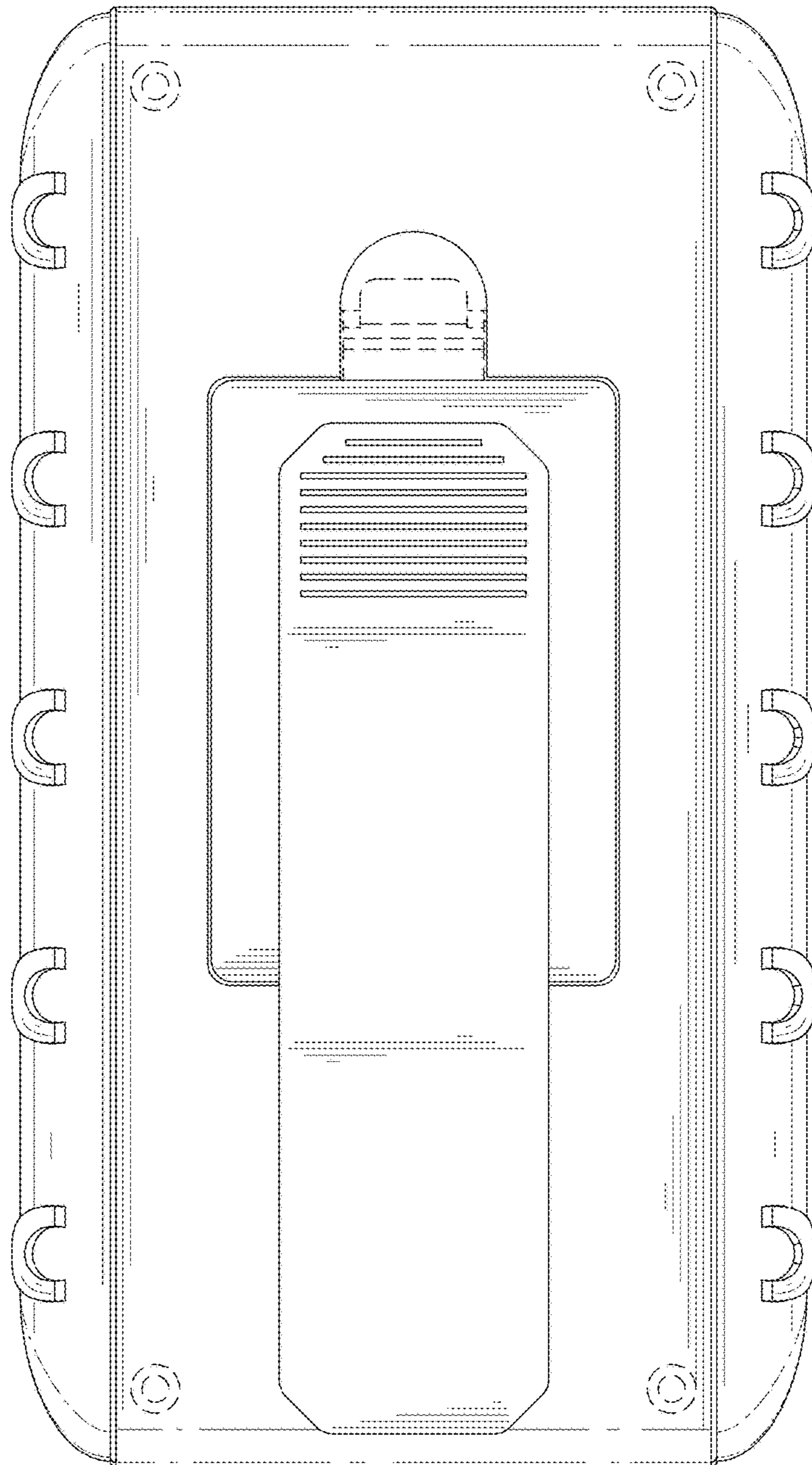


FIG. 4

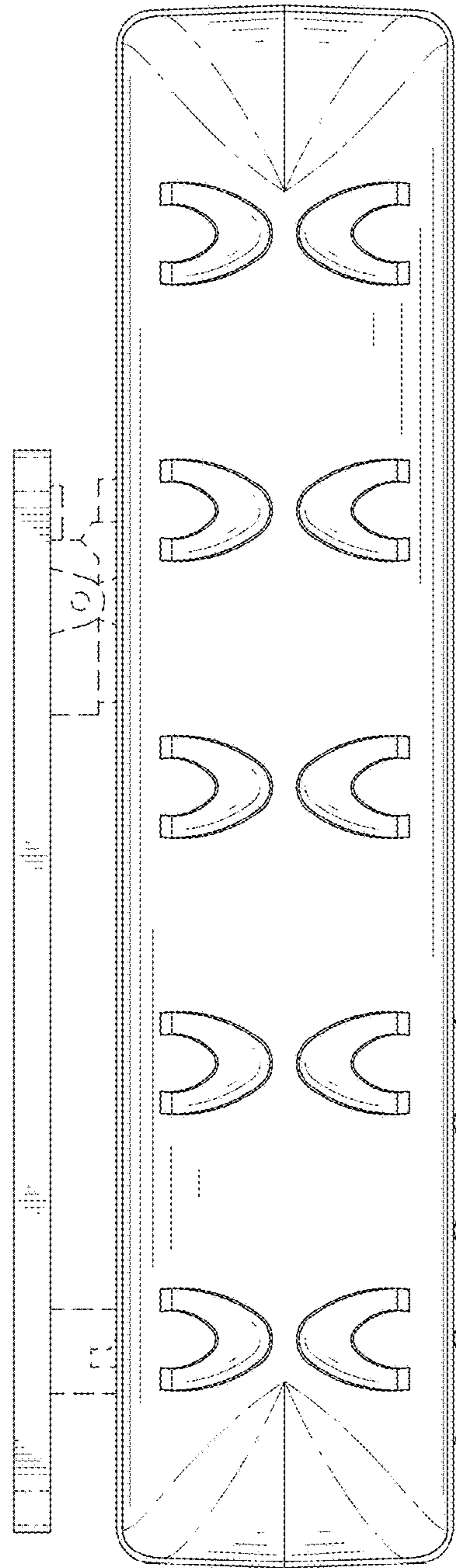


FIG. 5

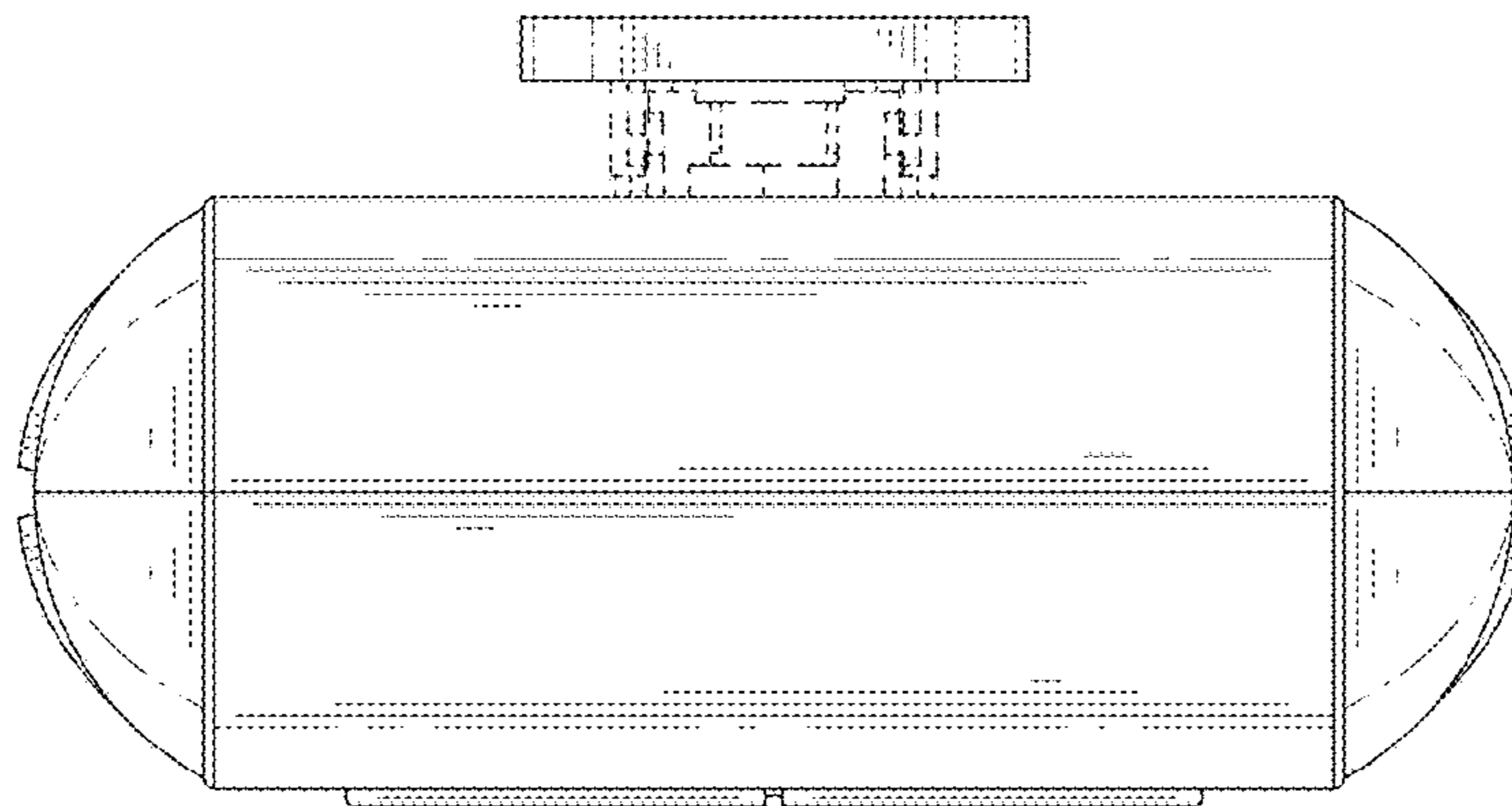


FIG. 6

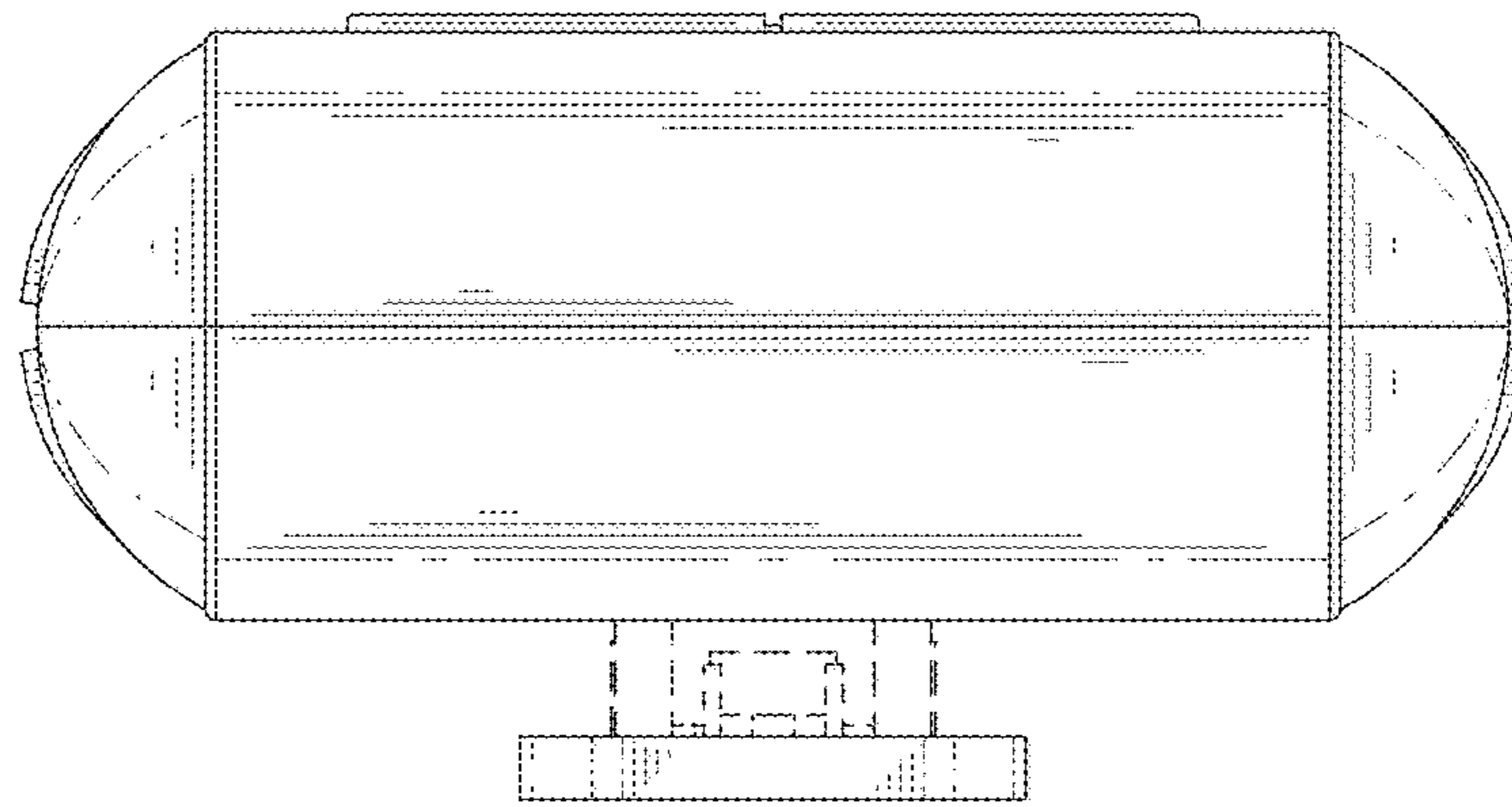


FIG. 7

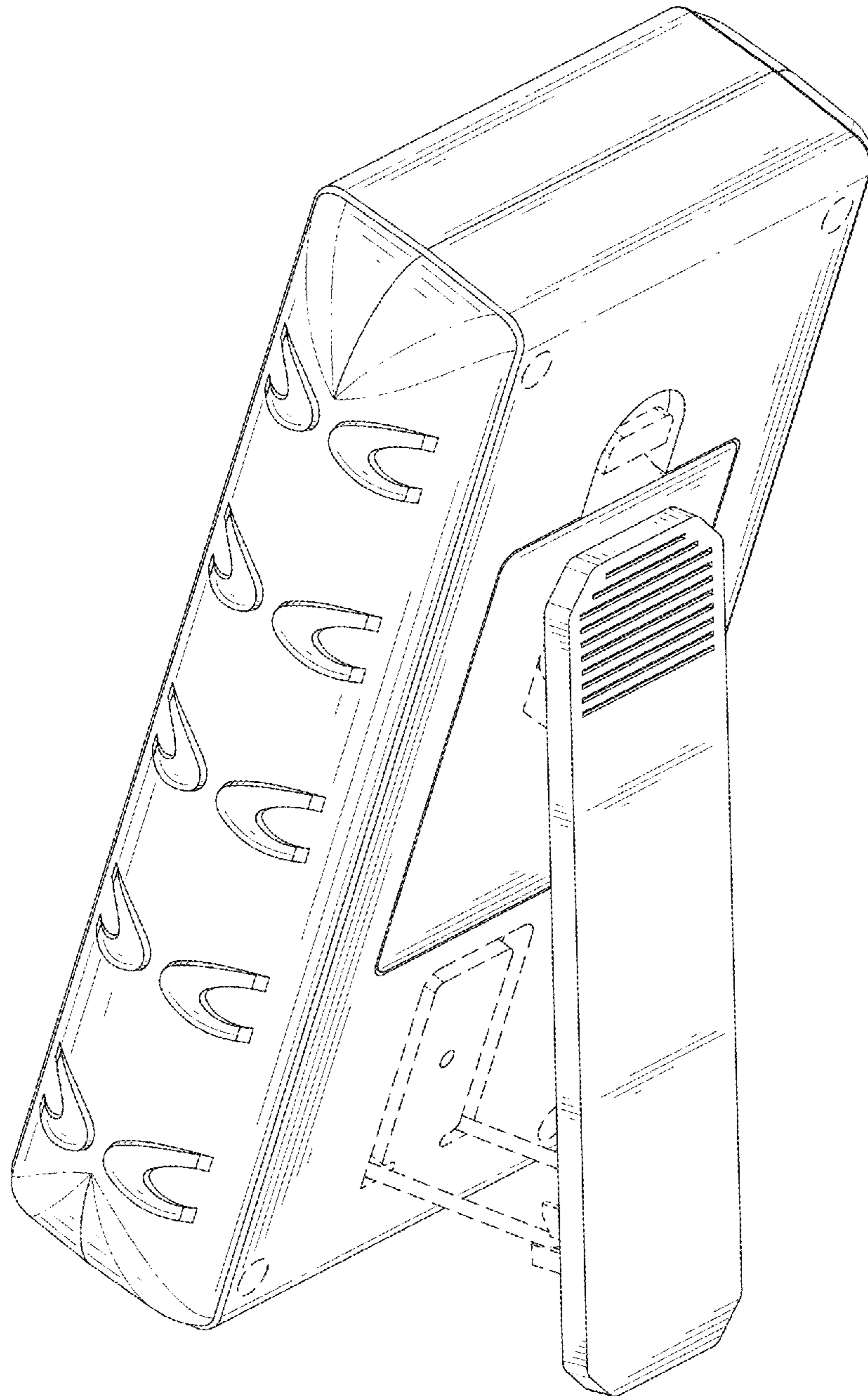


FIG. 8