



US00D845153S

(12) **United States Design Patent** (10) **Patent No.:** **US D845,153 S**
Daniels (45) **Date of Patent:** **** Apr. 9, 2019**

(54) **SET OF MEASURING CUPS**
(71) Applicant: **Welcome Industries LLC**, Evanston, IL (US)
(72) Inventor: **Pam Daniels**, Evanston, IL (US)
(73) Assignee: **WELCOME INDUSTRIES LLC**, Evanston, IL (US)
(**) Term: **15 Years**
(21) Appl. No.: **29/624,157**
(22) Filed: **Oct. 30, 2017**
(51) **LOC (11) Cl.** **10-04**
(52) **U.S. Cl.**
USPC **D10/46.3**
(58) **Field of Classification Search**
USPC D7/653, 692, 691; D10/46.2, 46.3; D24/116

(Continued)

(56) **References Cited**

U.S. PATENT DOCUMENTS

D141,881 S * 7/1945 Mathewson D10/46.3
D236,066 S * 7/1975 Best D7/691

(Continued)

Primary Examiner — Brett Miller

(74) *Attorney, Agent, or Firm* — Quarles & Brady LLP

(57) **CLAIM**

The ornamental design for a set of measuring cups, as shown and described.

DESCRIPTION

FIG. 1 is an exploded, isometric view of a front, top, and right side of a set of measuring cups;
FIG. 2 is an exploded, front elevational view of the set of measuring cups of FIG. 1;

FIG. 3 is an exploded, rear elevational view of the set of measuring cups of FIG. 1;
FIG. 4 is an exploded, right side elevational view of the set of measuring cups of FIG. 1;
FIG. 5 is an exploded, left side elevational view of the set of measuring cups of FIG. 1;
FIG. 6 is an exploded, top plan view of the set of measuring cups of FIG. 1;
FIG. 7 is an exploded, bottom plan view of the set of measuring cups of FIG. 1;
FIG. 8 is an isometric view of a front, top, and right side of the set of measuring cups shown in FIGS. 1-7 depicted in a nested configuration;
FIG. 9 is a front elevational view of the set of measuring cups of FIG. 8;
FIG. 10 is a rear elevational view of the set of measuring cups of FIG. 8;
FIG. 11 is a right side elevational view of the set of measuring cups of FIG. 8;
FIG. 12 is a left side elevational view of the set of measuring cups of FIG. 8;
FIG. 13 is a top plan view of the set of measuring cups of FIG. 8;
FIG. 14 is a bottom plan view of the set of measuring cups of FIG. 8;
FIG. 15 is an exploded, isometric view of a front, top, and right side of another set of measuring cups;
FIG. 16 is an exploded, front elevational view of the set of measuring cups of FIG. 15;
FIG. 17 is an exploded, rear elevational view of the set of measuring cups of FIG. 15;
FIG. 18 is an exploded, right side elevational view of the set of measuring cups of FIG. 15;
FIG. 19 is an exploded, left side elevational view of the set of measuring cups of FIG. 15;
FIG. 20 is an exploded, top plan view of the set of measuring cups of FIG. 15;
FIG. 21 is an exploded, bottom plan view of the set of measuring cups of FIG. 15;
FIG. 22 is an isometric view of a front, top, and right side of the set of measuring cups shown in FIGS. 15-21 depicted in a nested configuration;
FIG. 23 is a front elevational view of the set of measuring cups of FIG. 22;

(Continued)

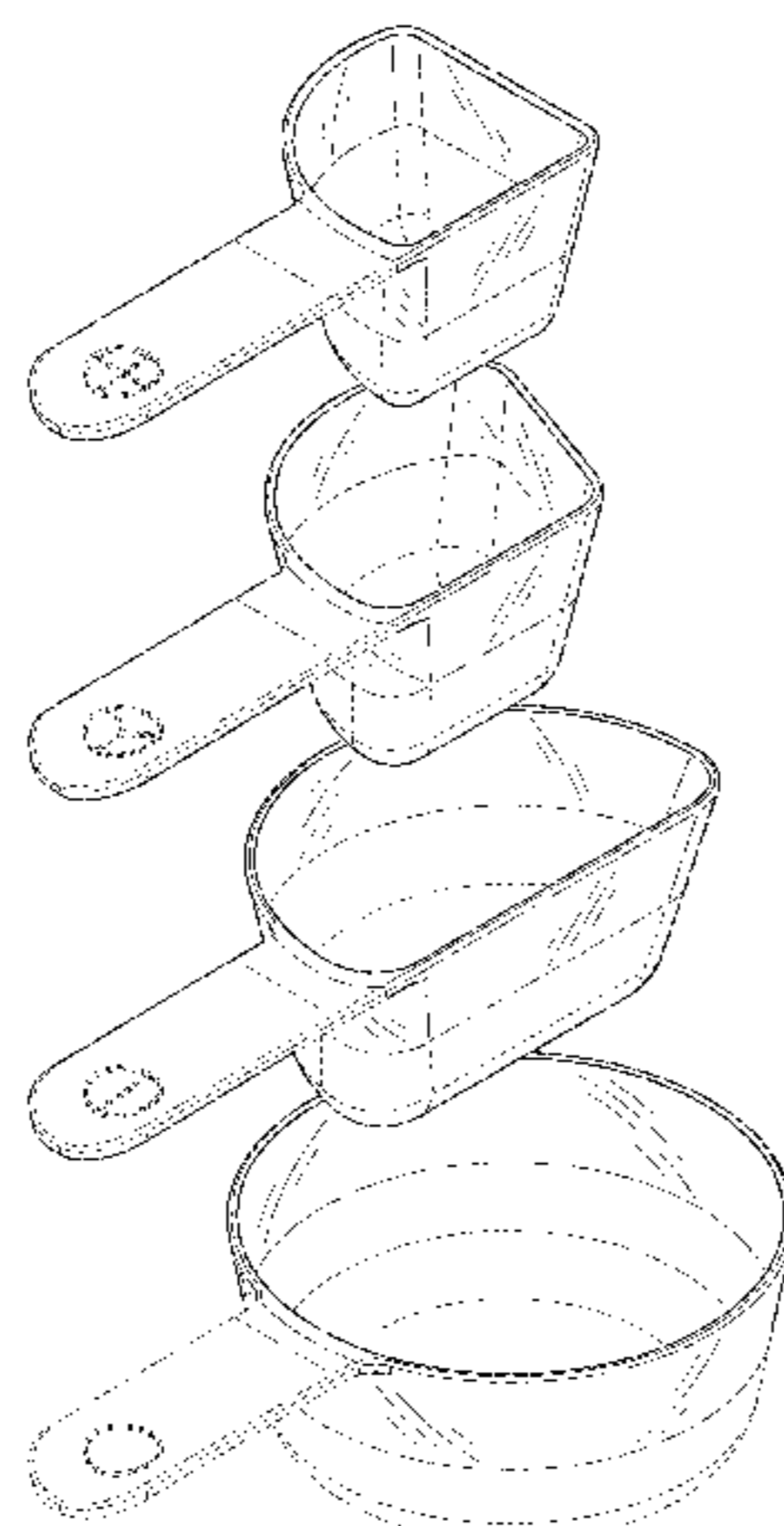


FIG. 24 is a rear elevational view of the set of measuring cups of FIG. 22;

FIG. 25 is a right side elevational view of the set of measuring cups of FIG. 22;

FIG. 26 is a left side elevational view of the set of measuring cups of FIG. 22;

FIG. 27 is a top plan view of the set of measuring cups of FIG. 22; and,

FIG. 28 is a bottom plan view of the set of measuring cups of FIG. 22.

The dash-dash-dash lines are included for the purpose of illustrating portions that form no part of the claimed design.

The dash-dot-dash lines showing boundary lines form no part of the claimed design.

1 Claim, 20 Drawing Sheets

(58) **Field of Classification Search**

CPC G01F 19/00–19/007; B65D 21/0233

See application file for complete search history.

(56) **References Cited**

U.S. PATENT DOCUMENTS

4,616,867	A *	10/1986	O'Hara	A47F 13/08
					D10/46.2
D486,745	S *	2/2004	Mastroianni	D10/46.2
D495,964	S *	9/2004	Overthun	D10/46.2
D624,444	S *	9/2010	Fenner	D10/46.2
D666,926	S *	9/2012	De Leo	D10/46.2
D752,453	S *	3/2016	Holding	D10/46.3
2010/0089151	A1 *	4/2010	Mantilla	G01F 19/002
					73/426

* cited by examiner

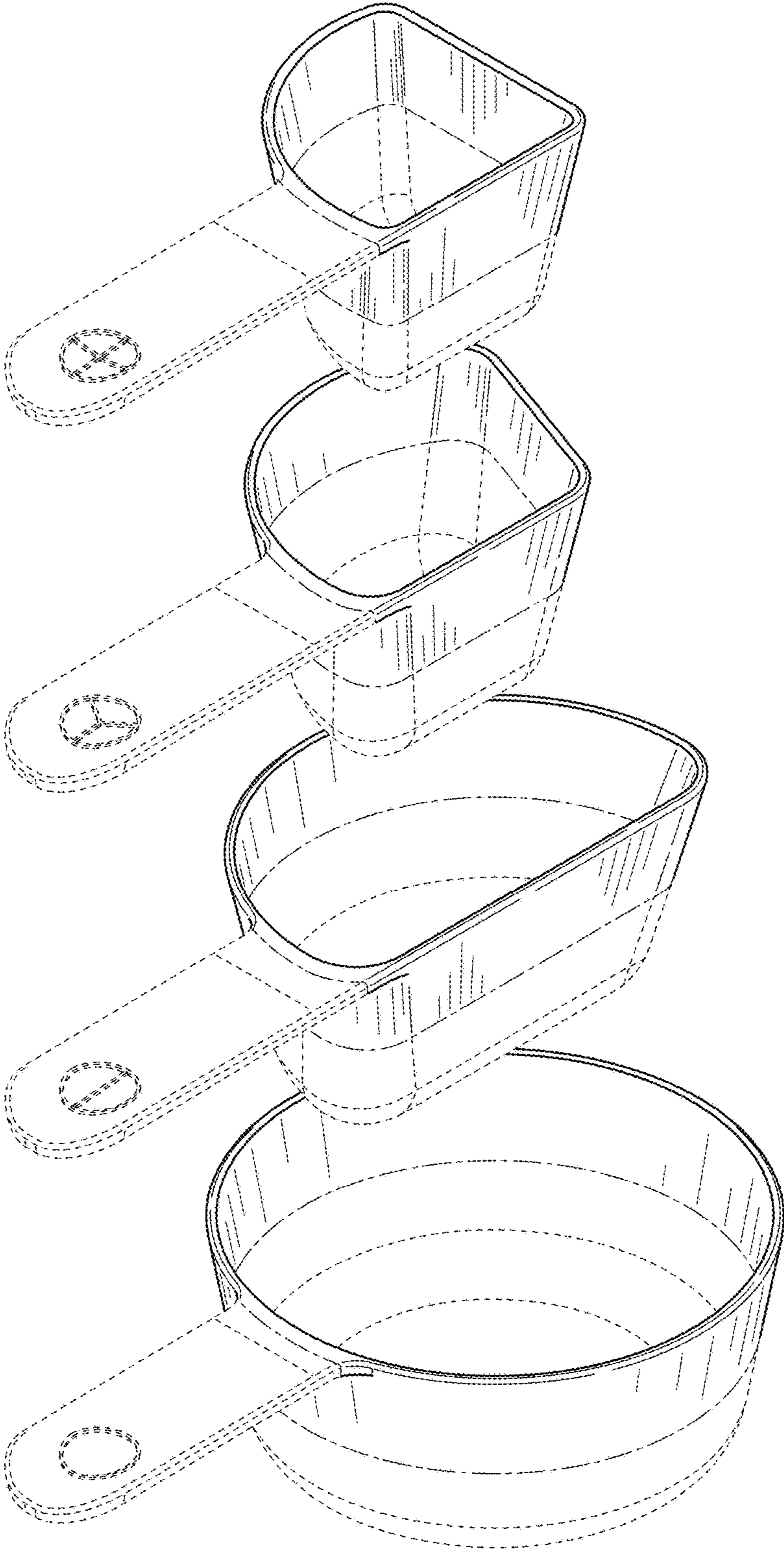


FIG. 1

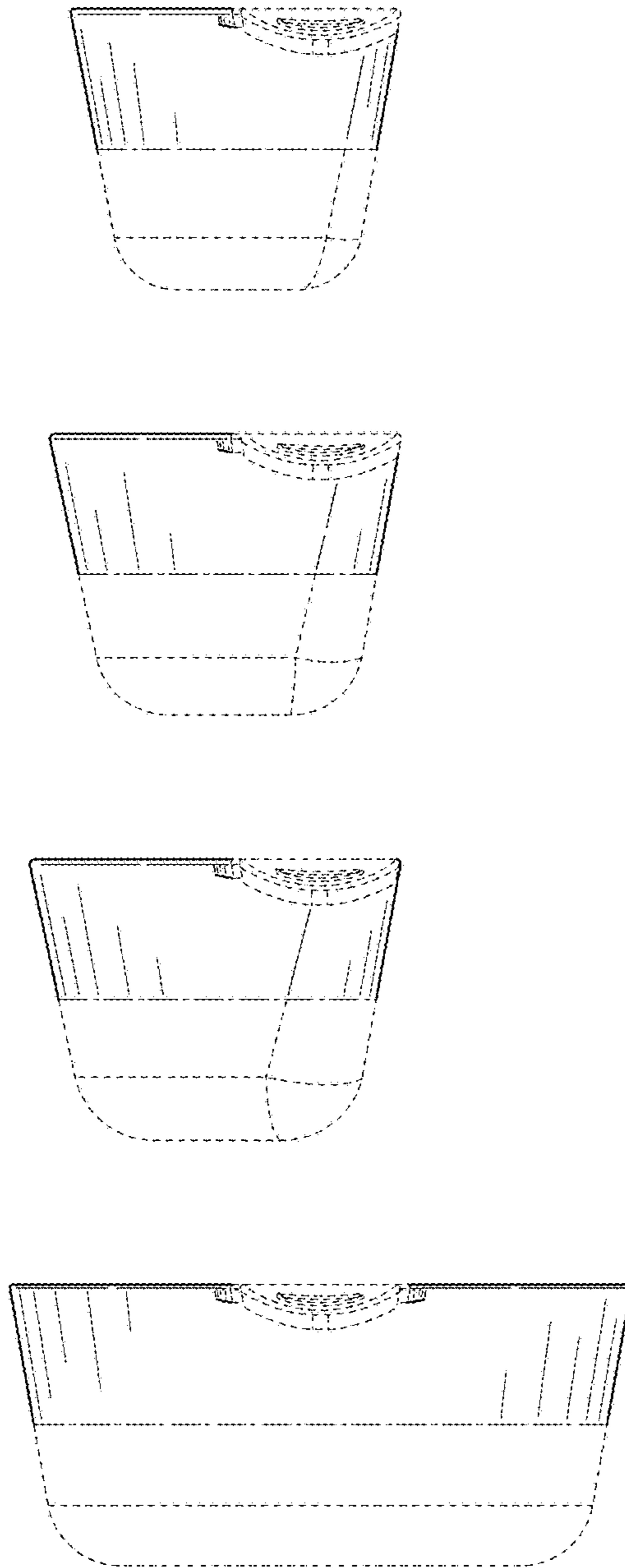


FIG. 2

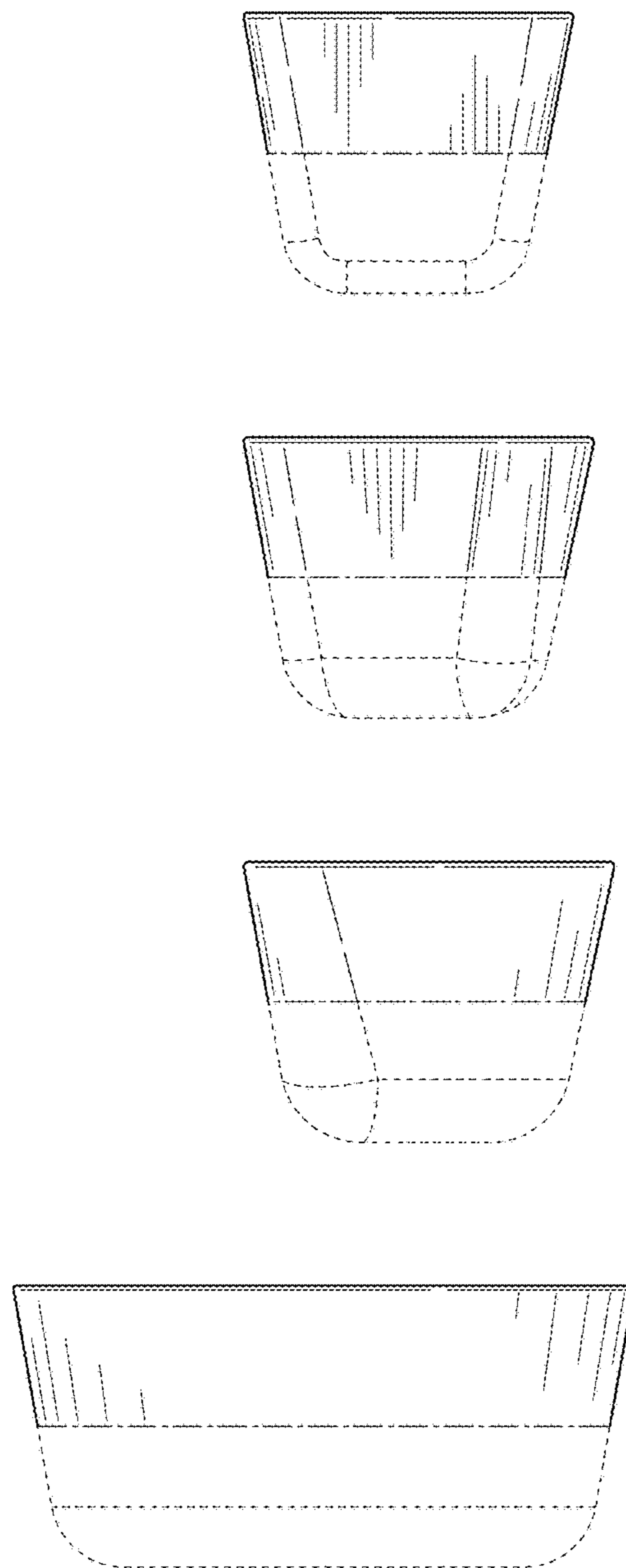


FIG. 3

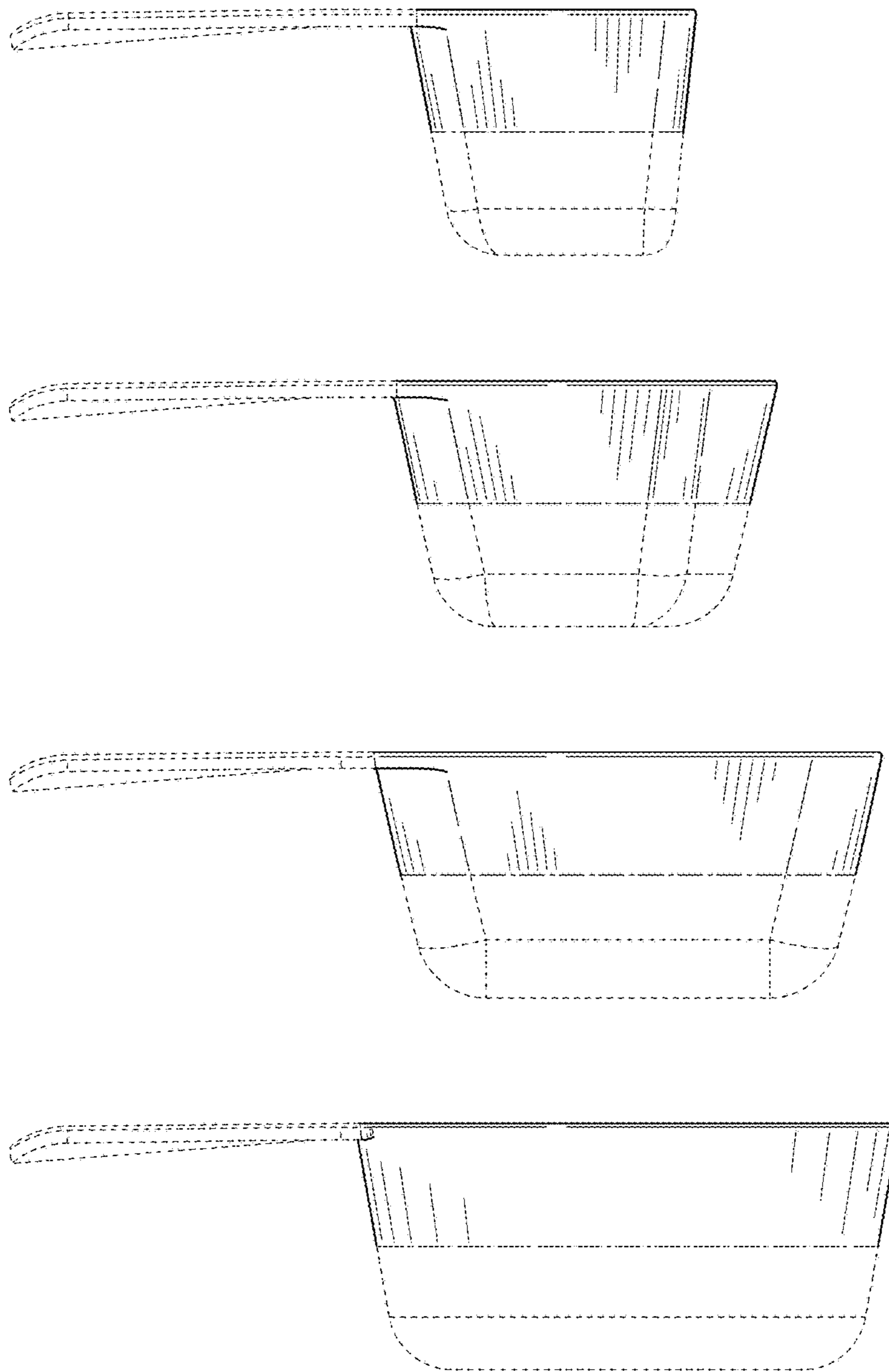


FIG. 4

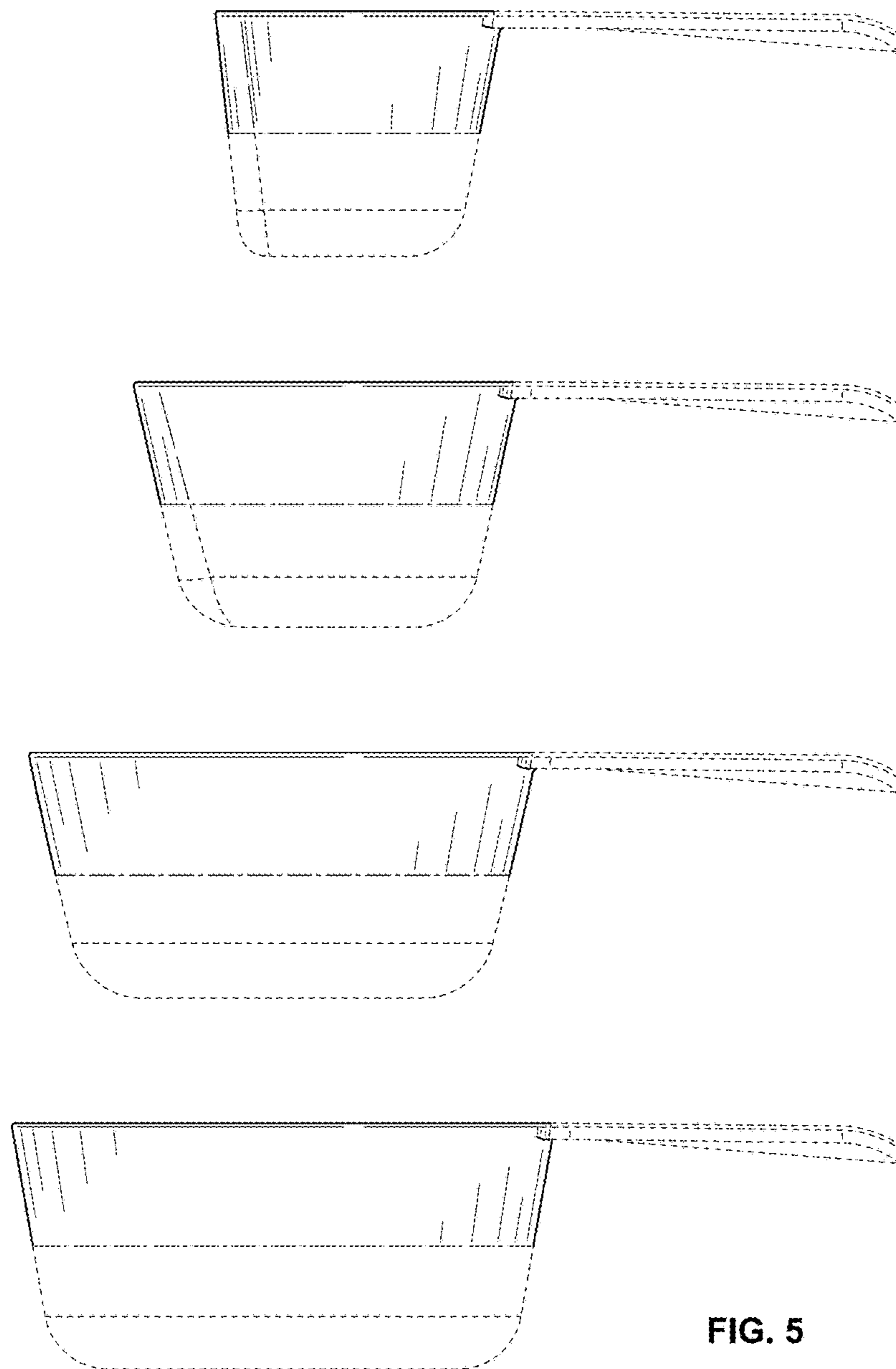


FIG. 5

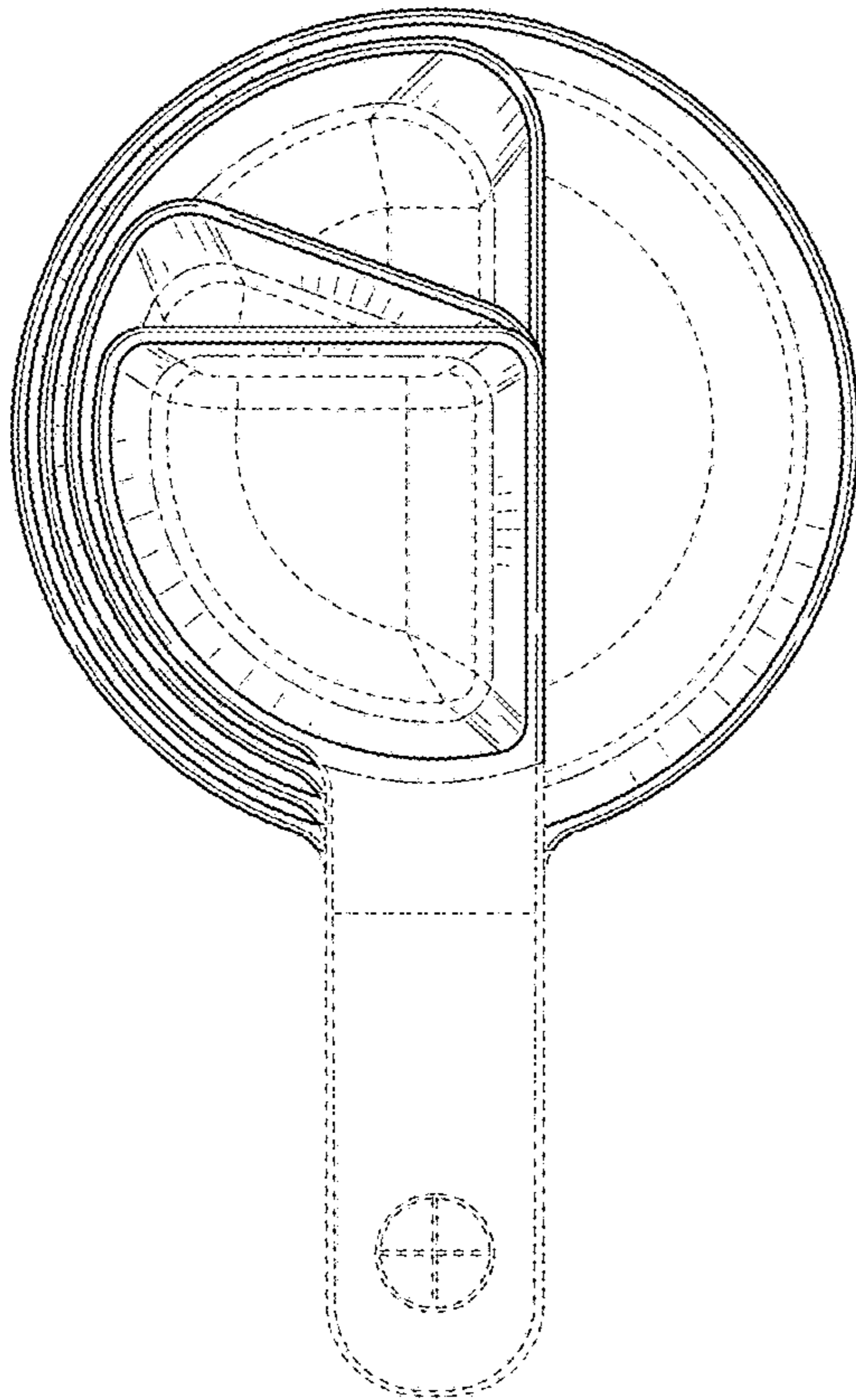


FIG. 6

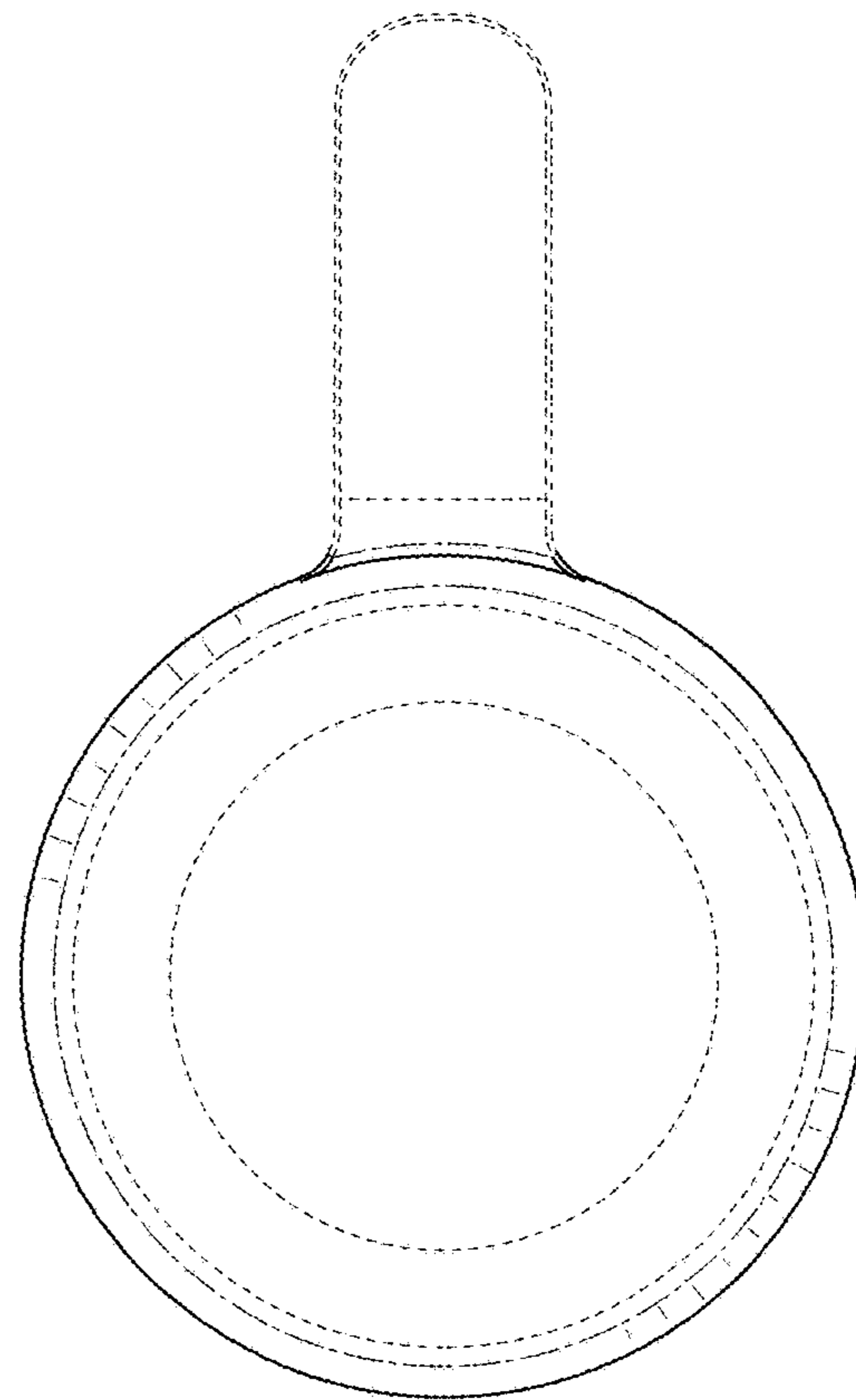


FIG. 7

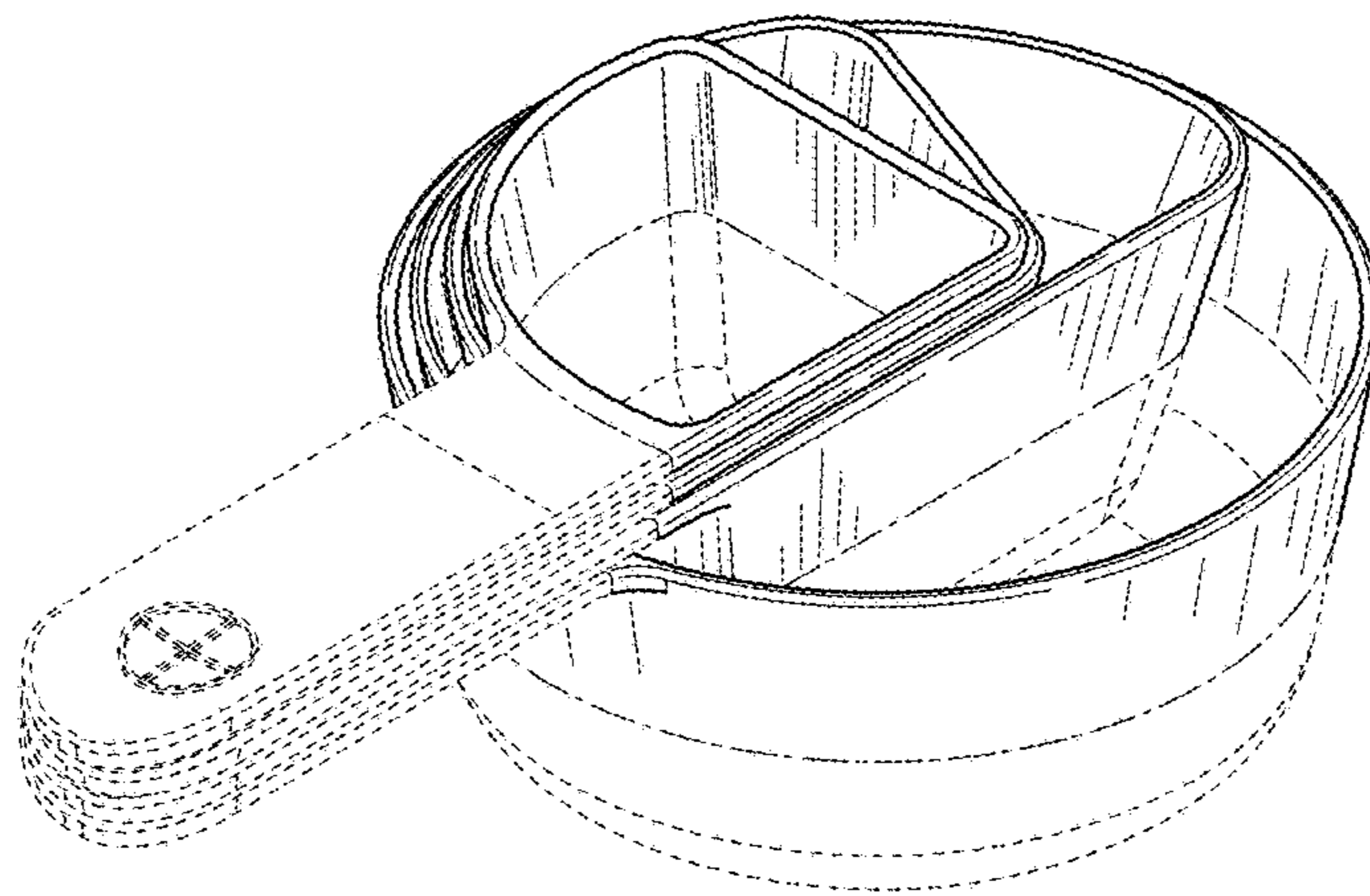


FIG. 8

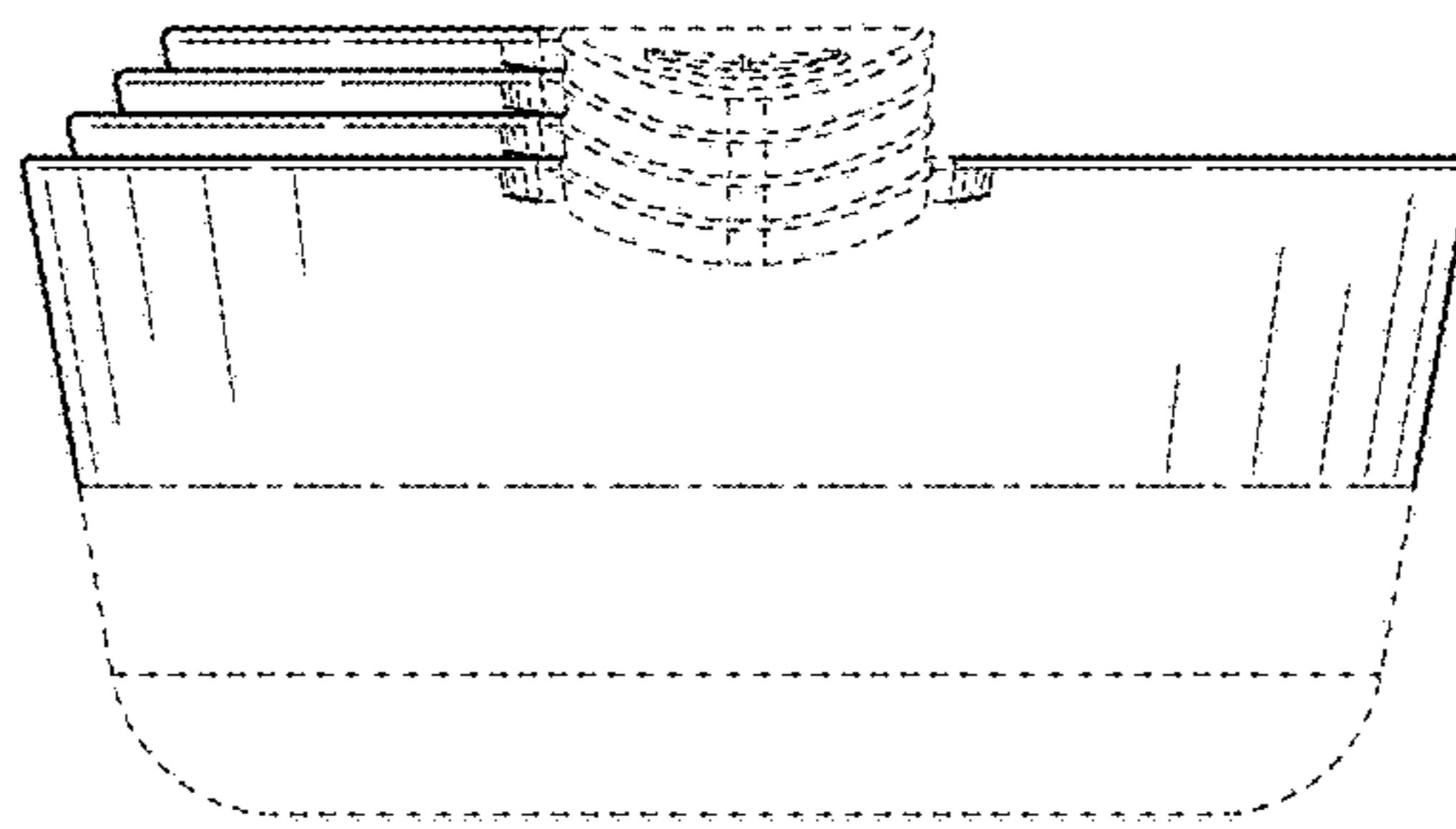


FIG. 9

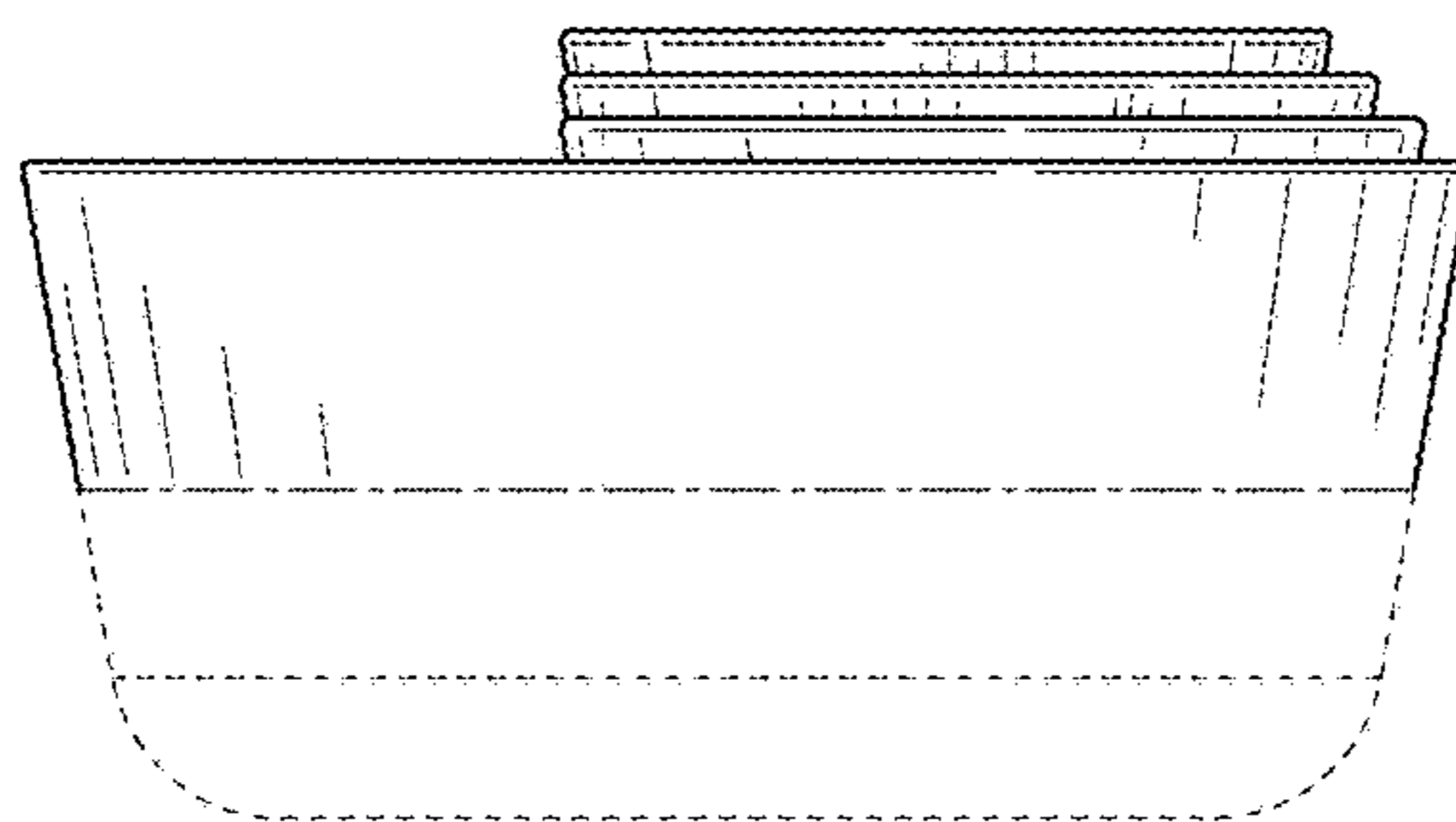


FIG. 10

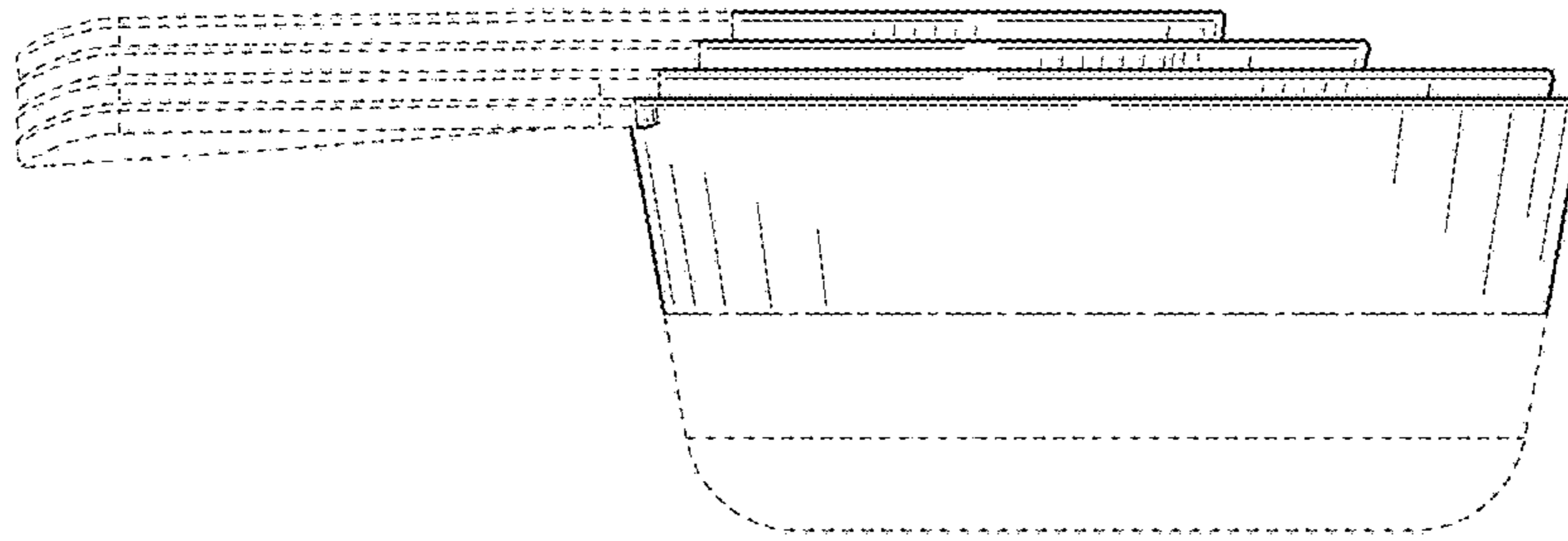


FIG. 11

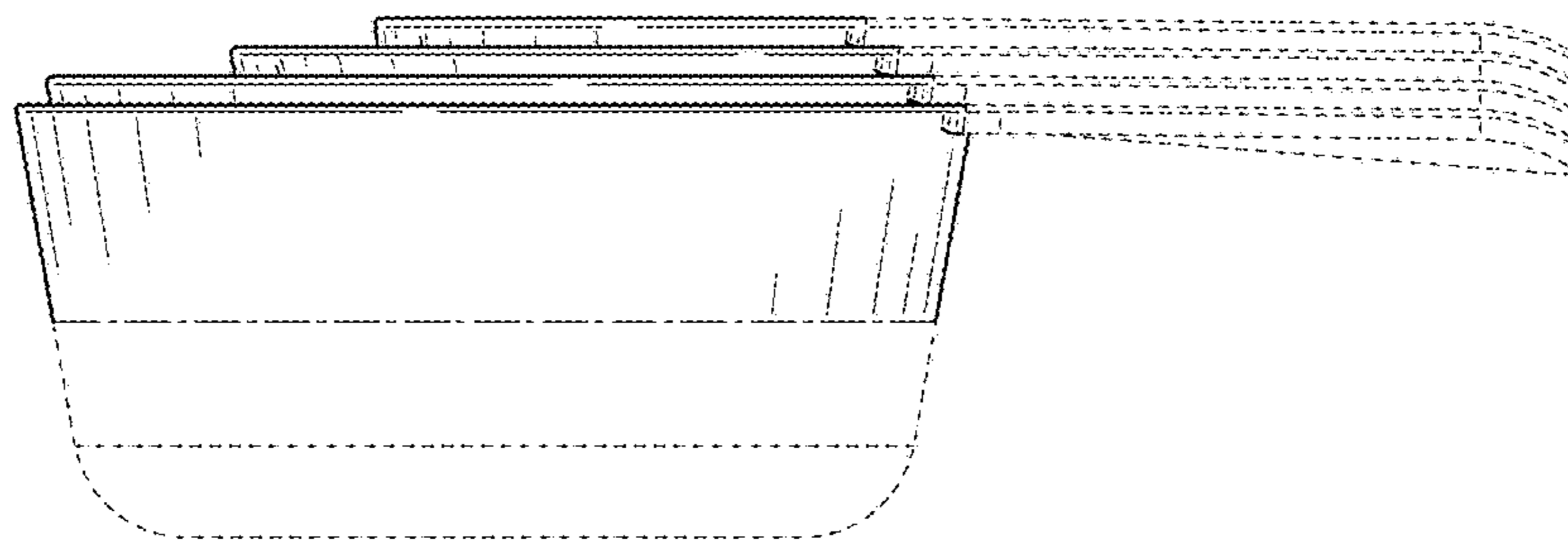


FIG. 12

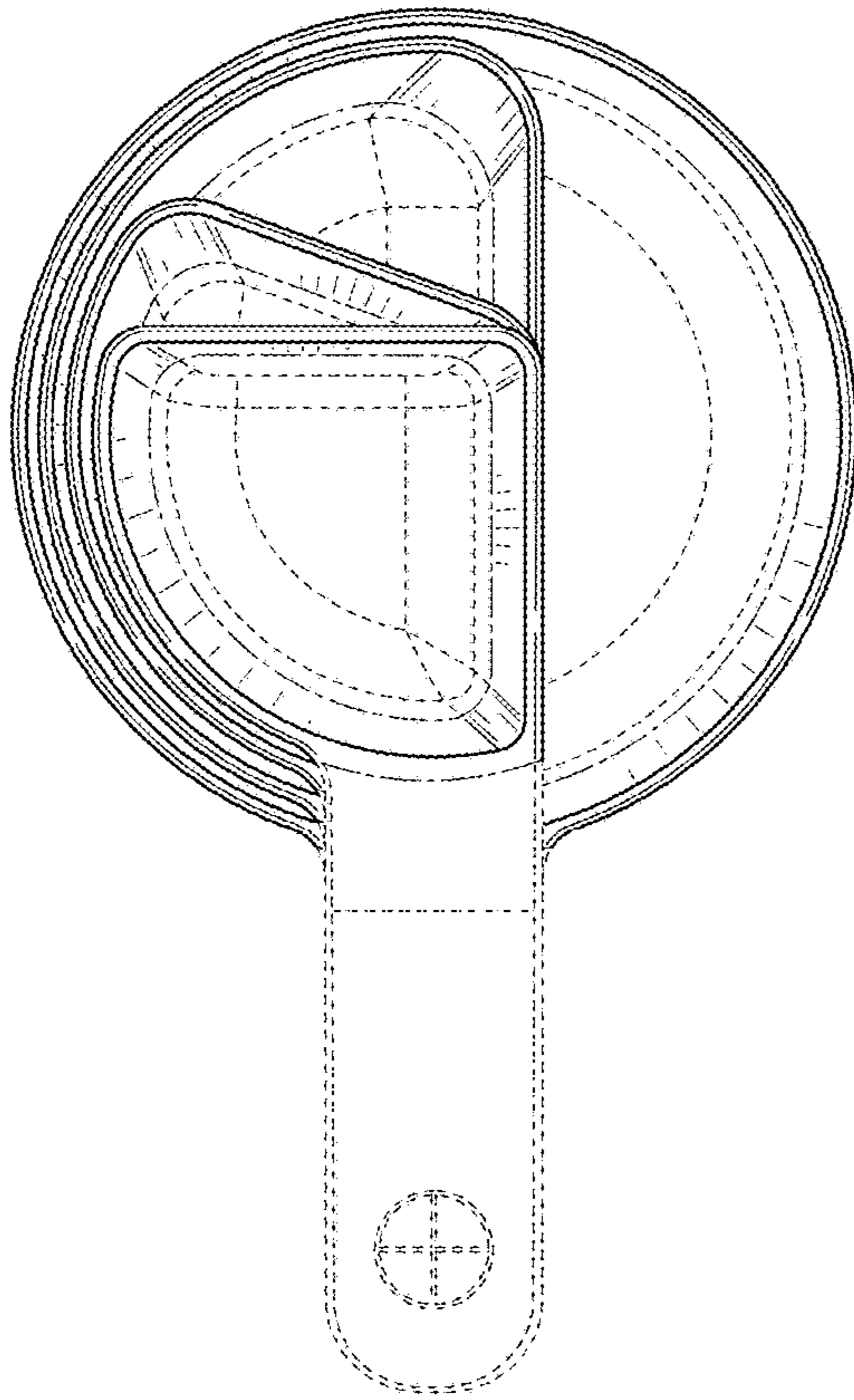


FIG. 13

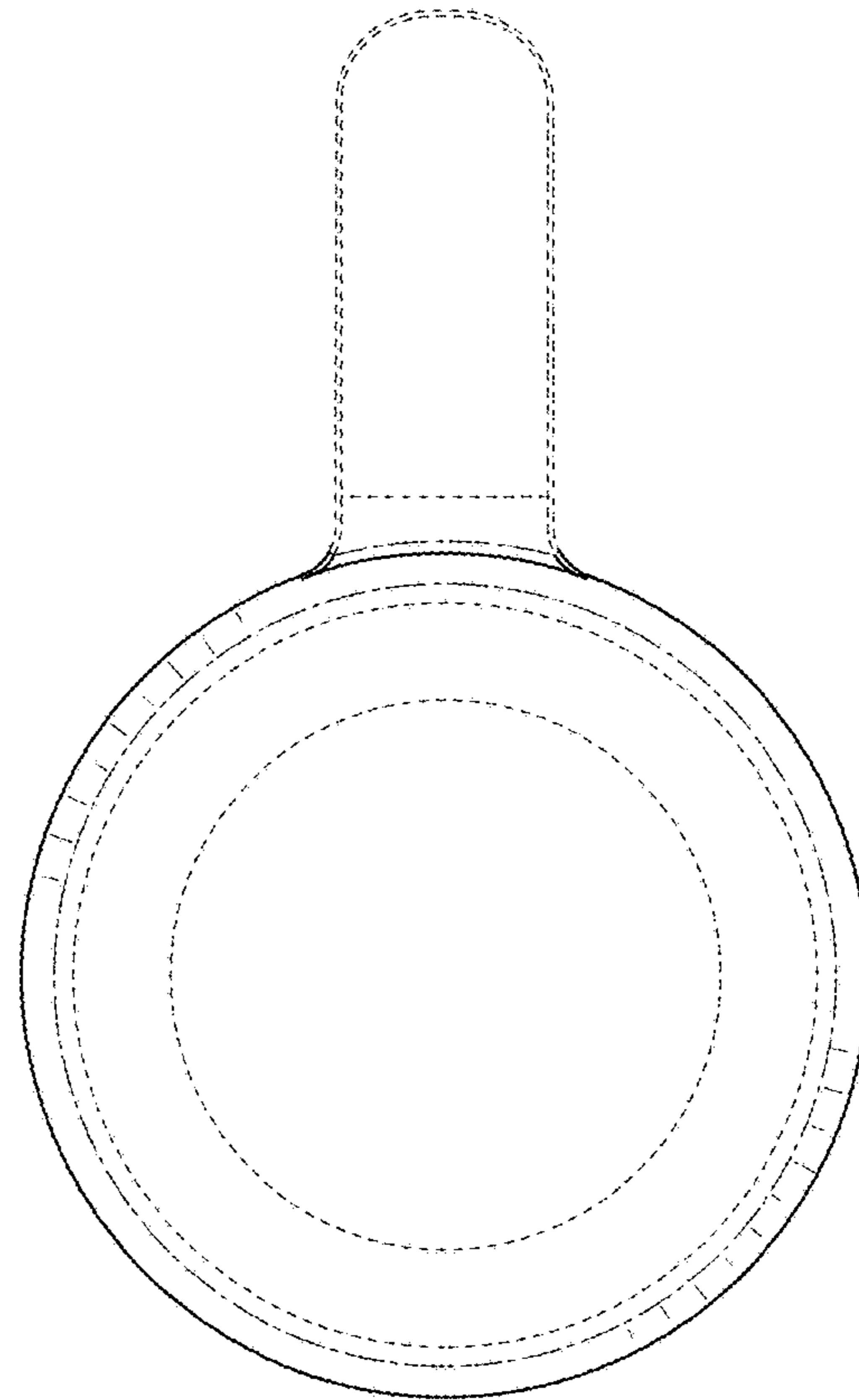


FIG. 14

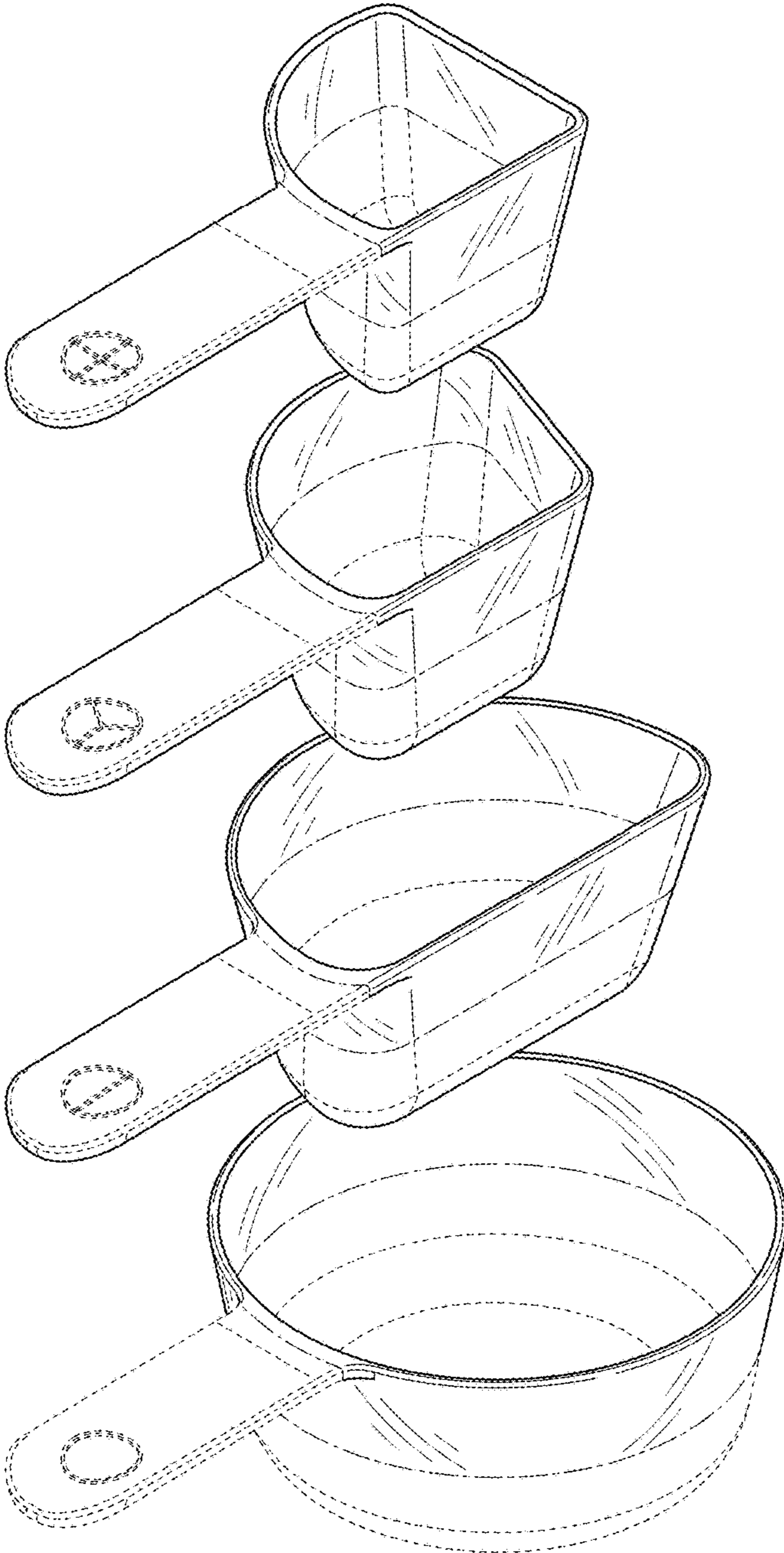


FIG. 15

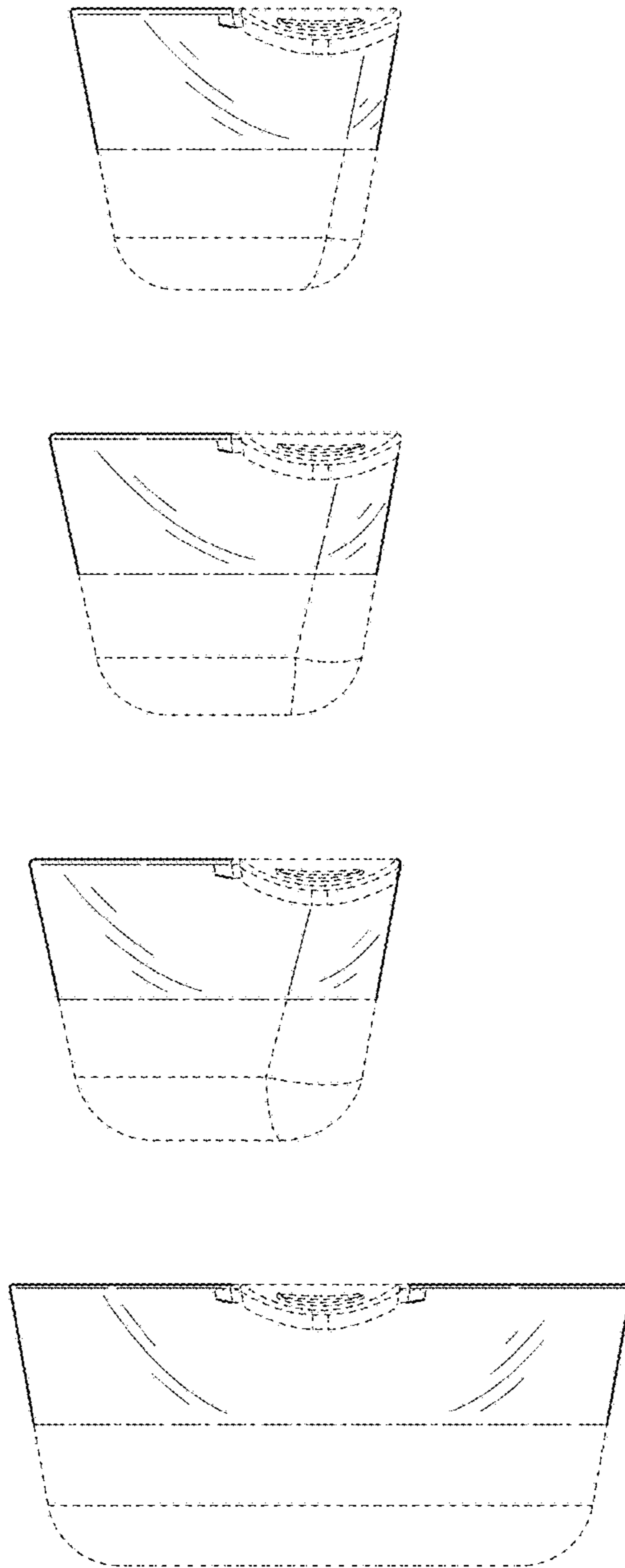


FIG. 16

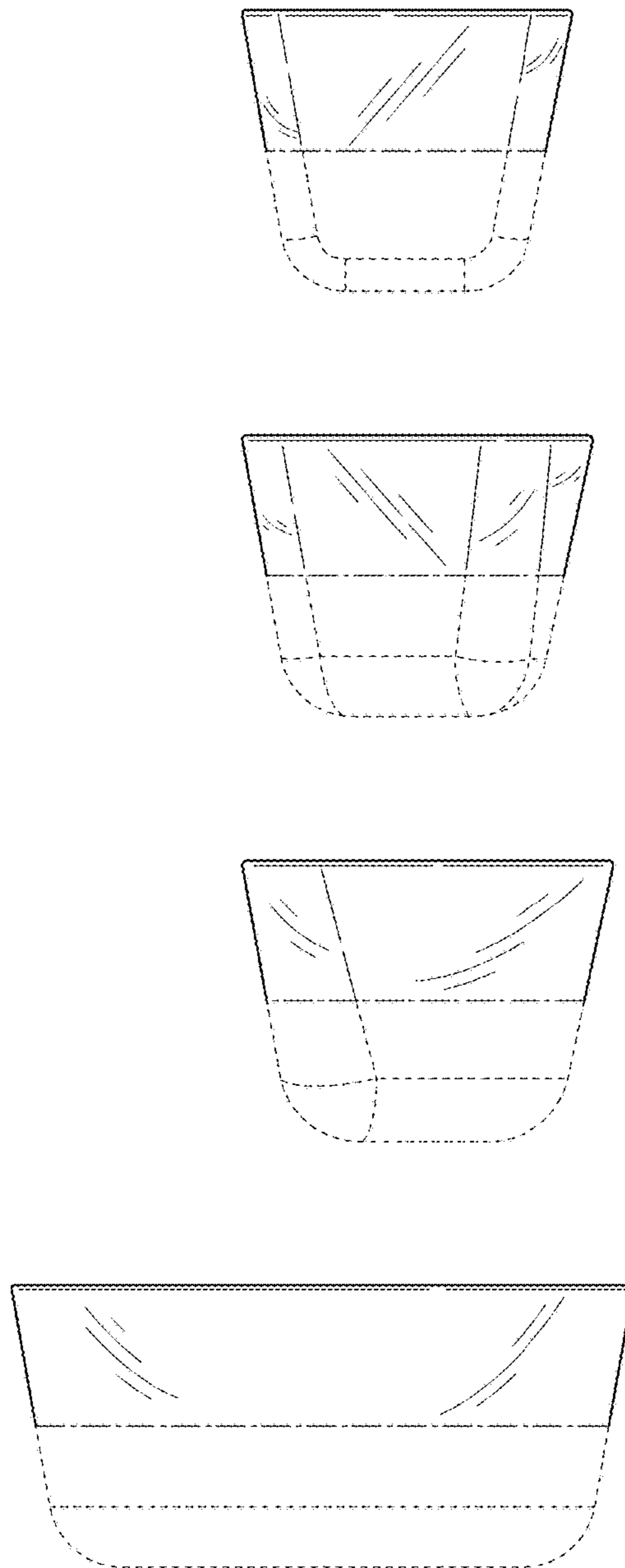


FIG. 17

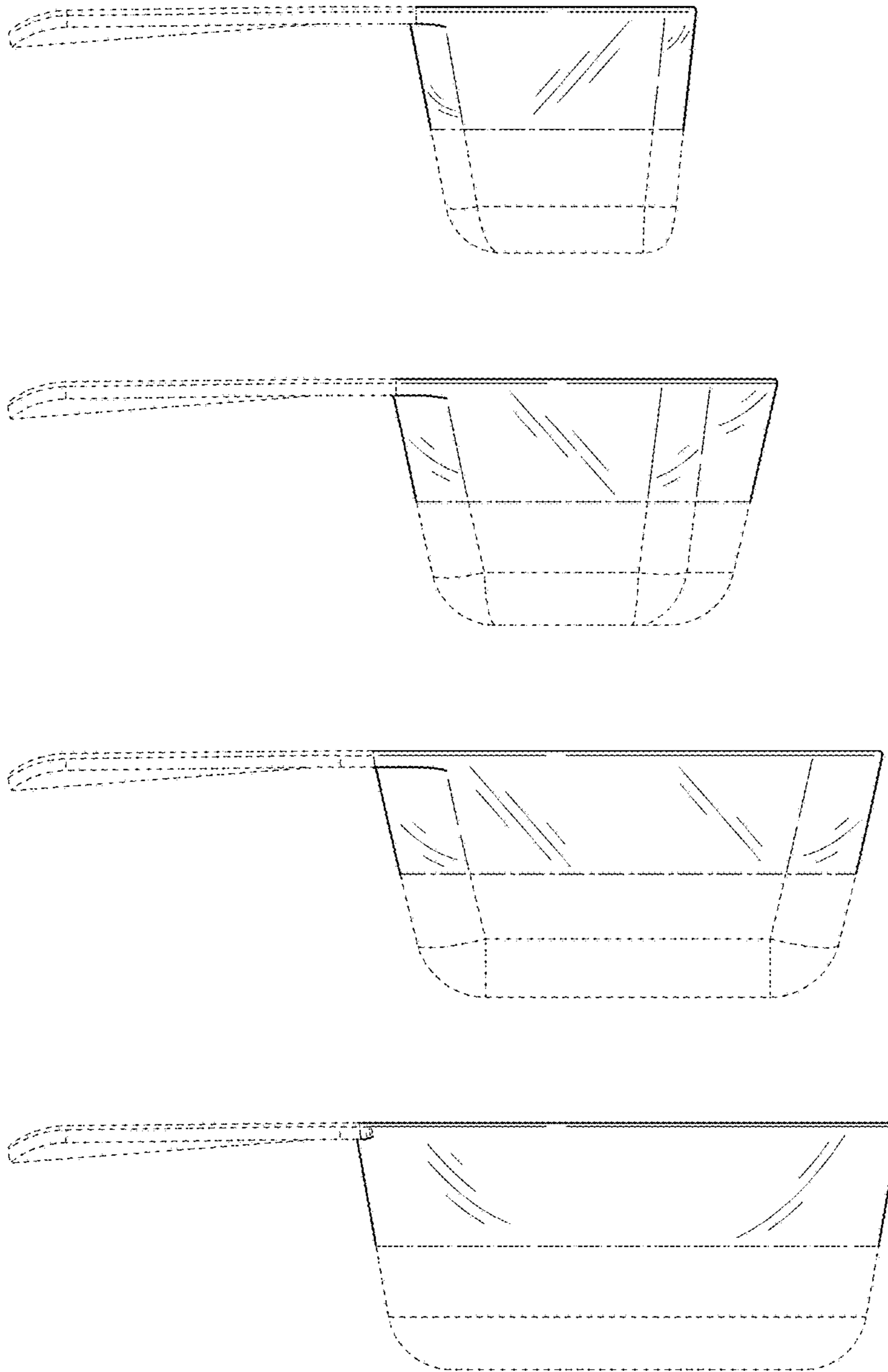


FIG. 18

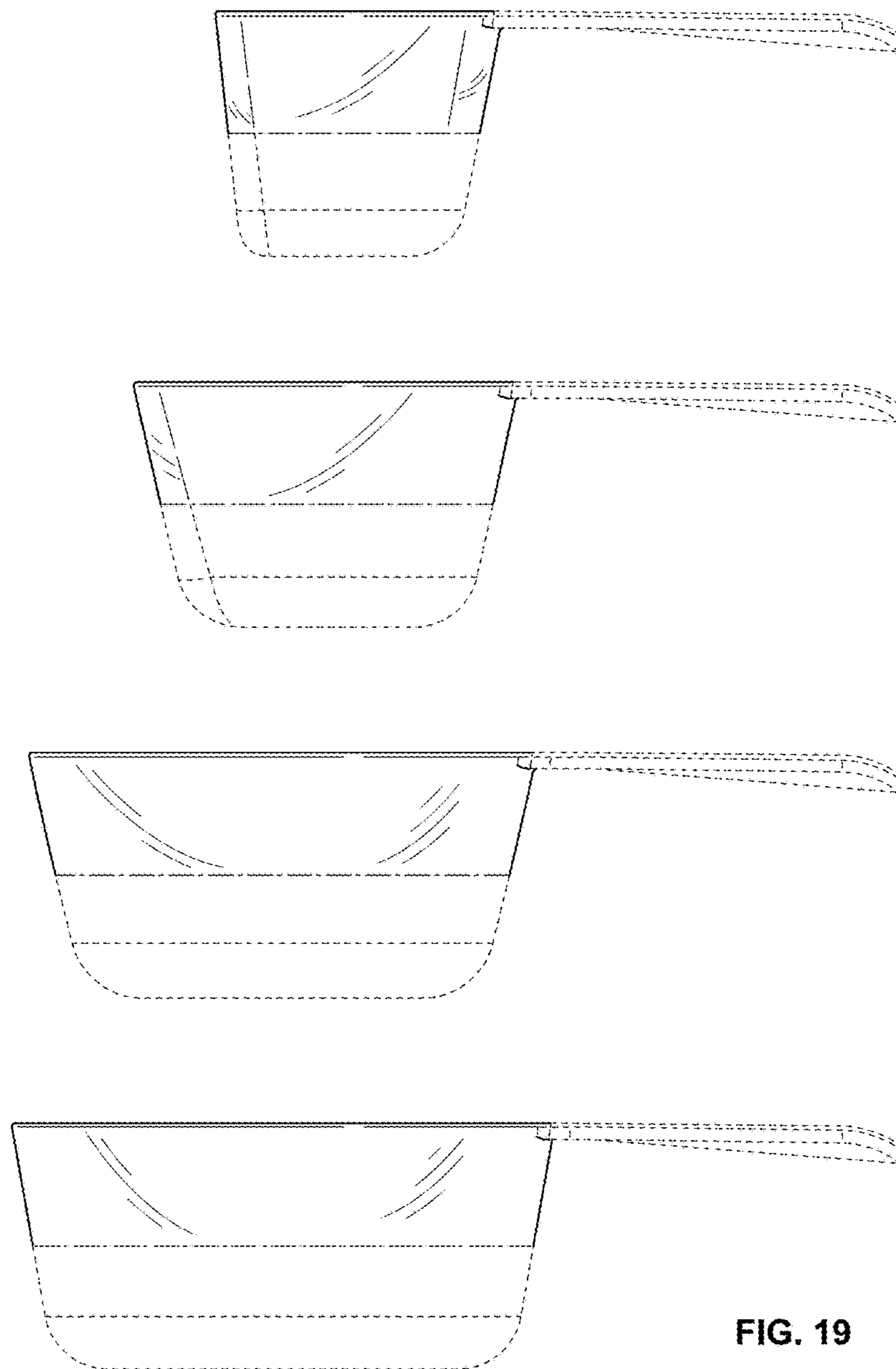


FIG. 19

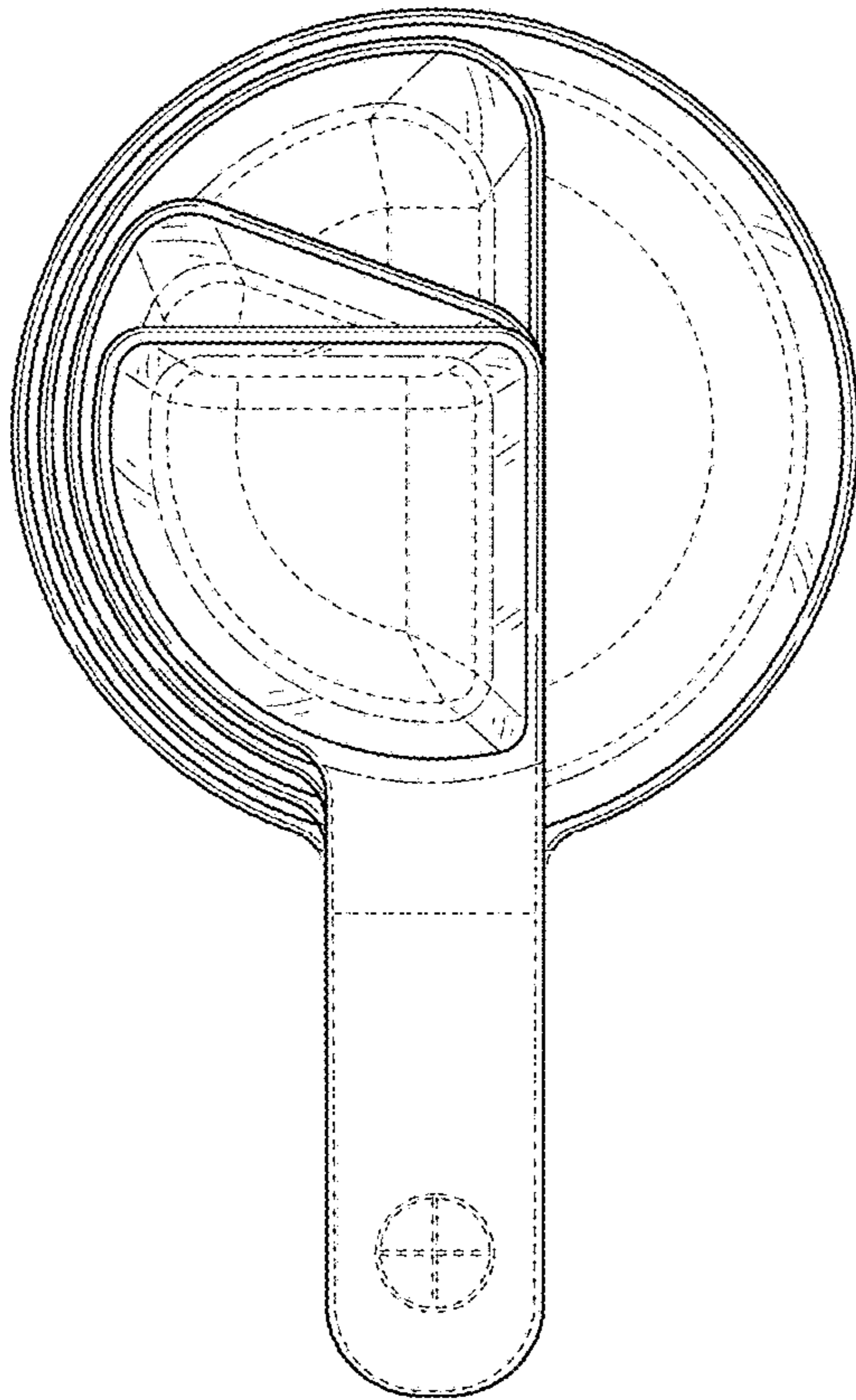


FIG. 20

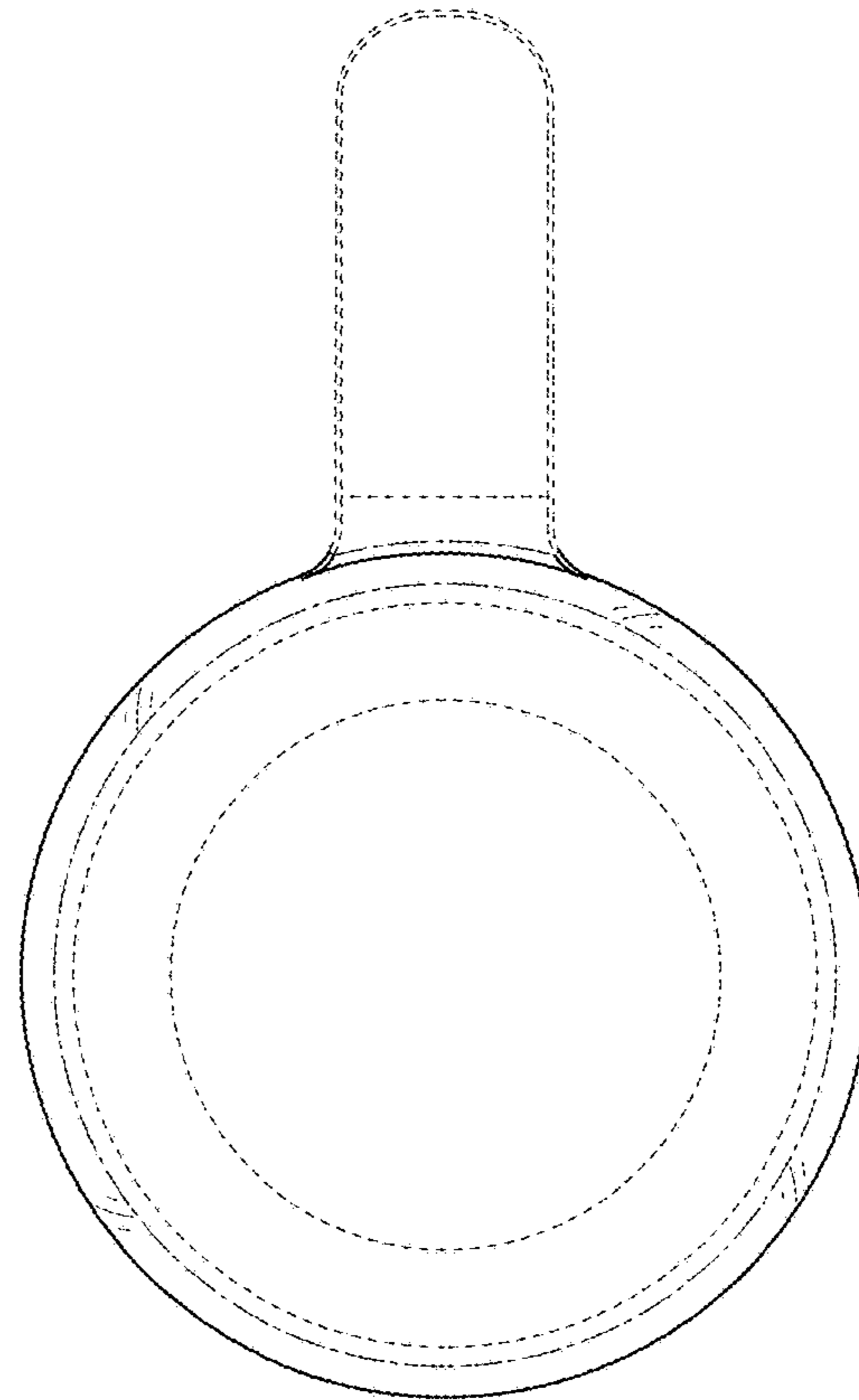


FIG. 21

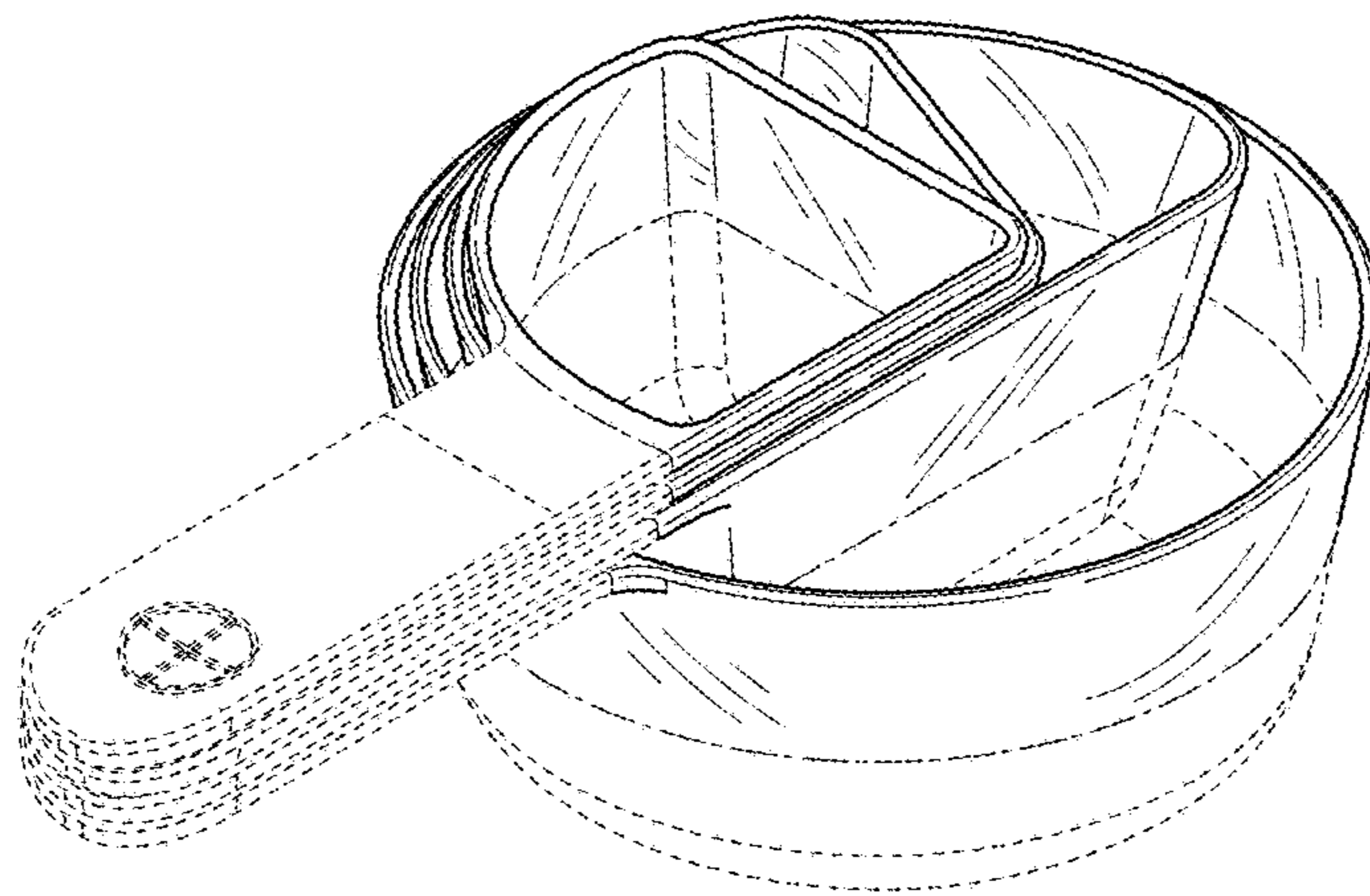


FIG. 22

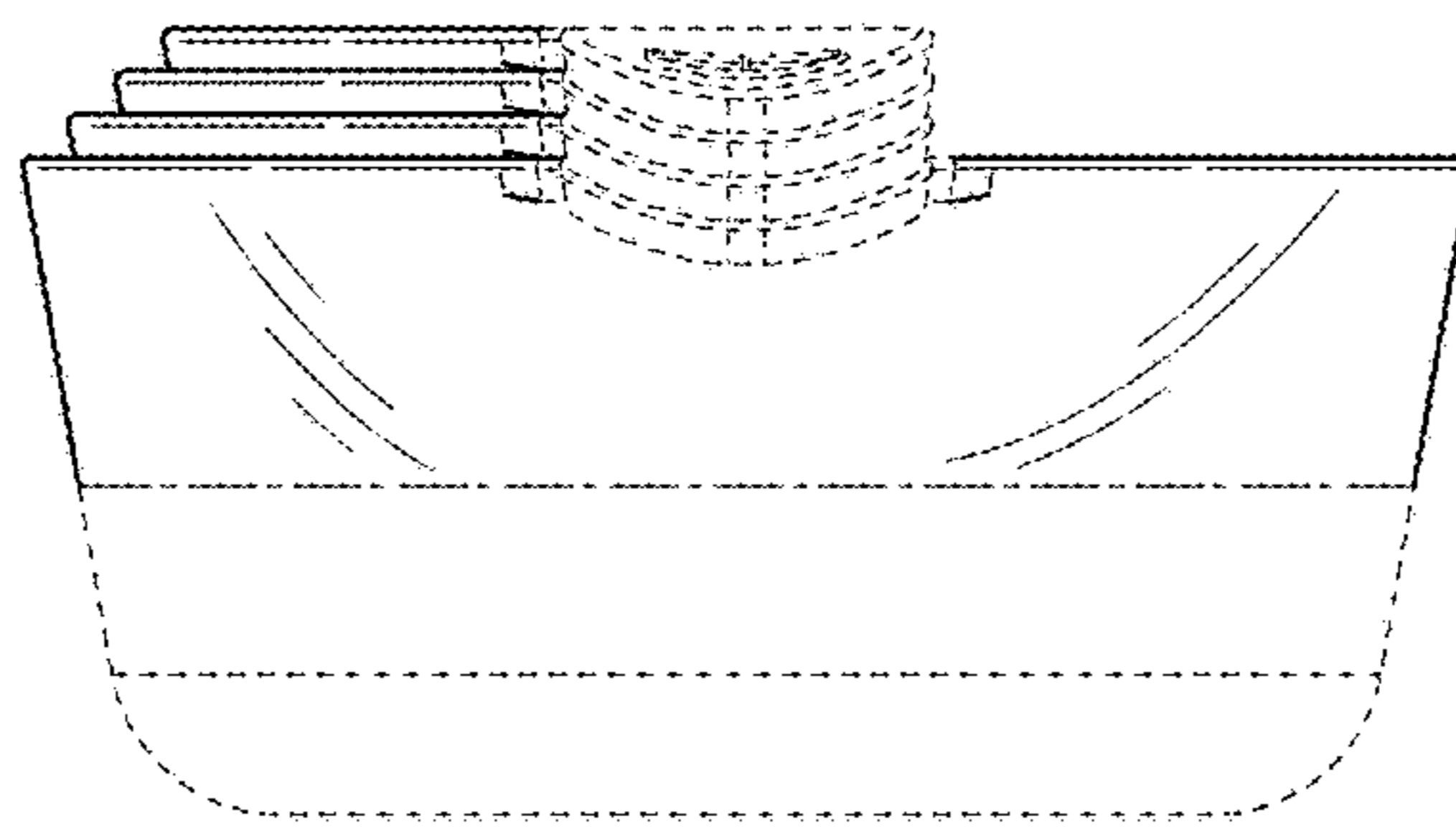


FIG. 23

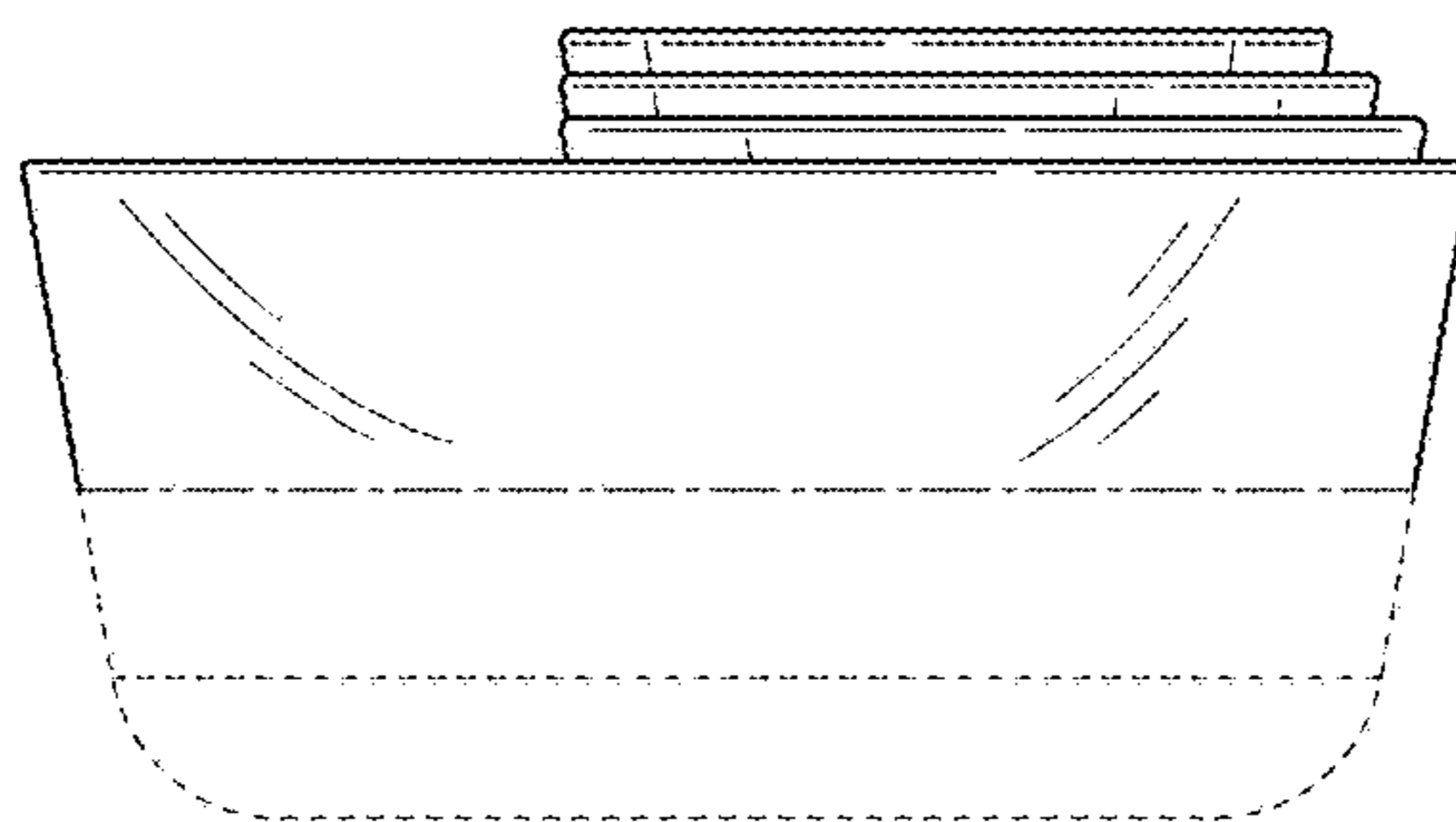


FIG. 24

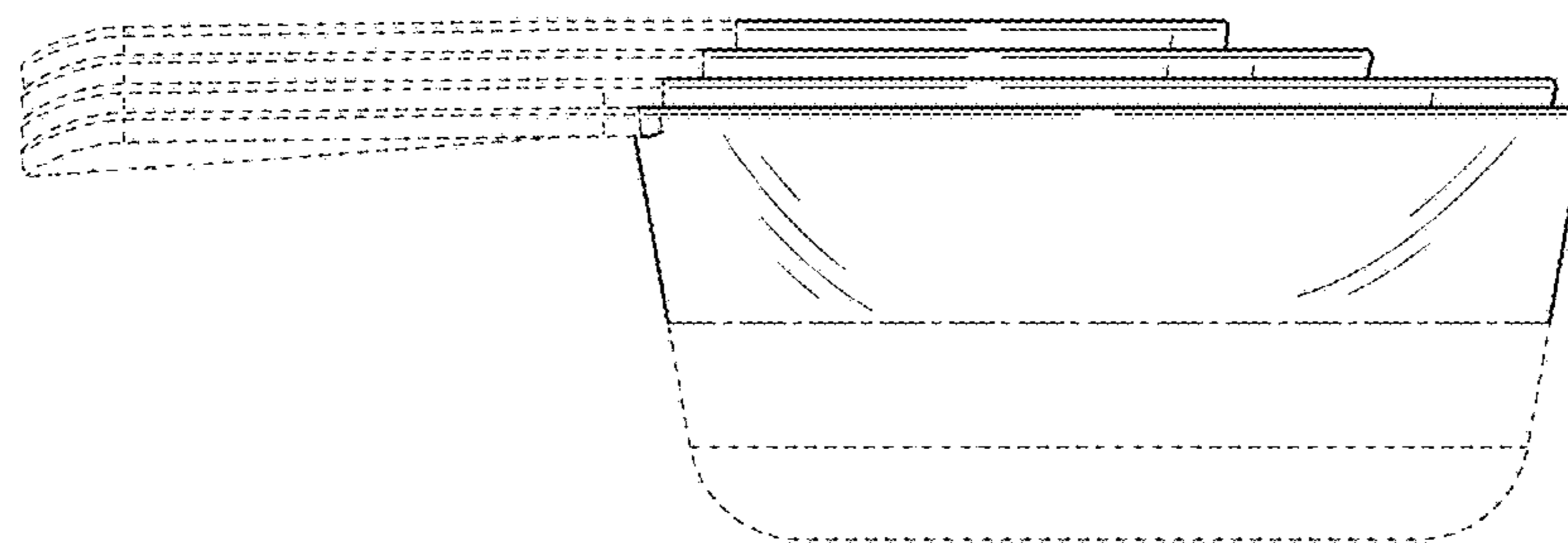


FIG. 25

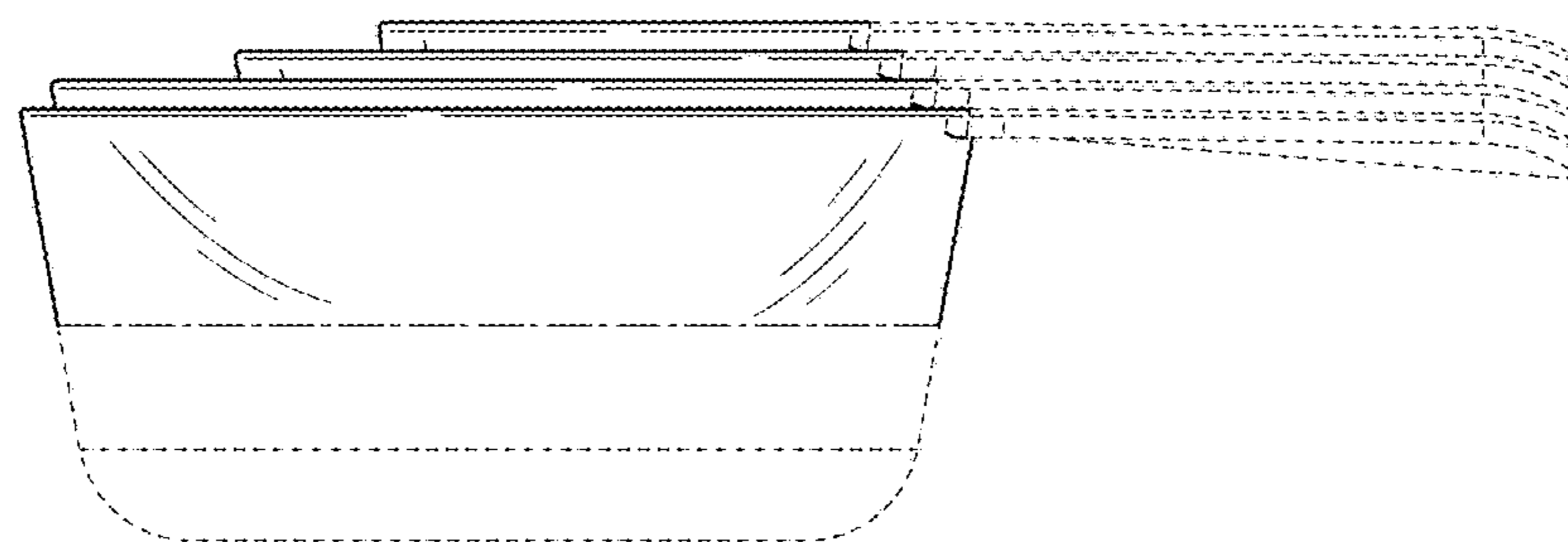


FIG. 26

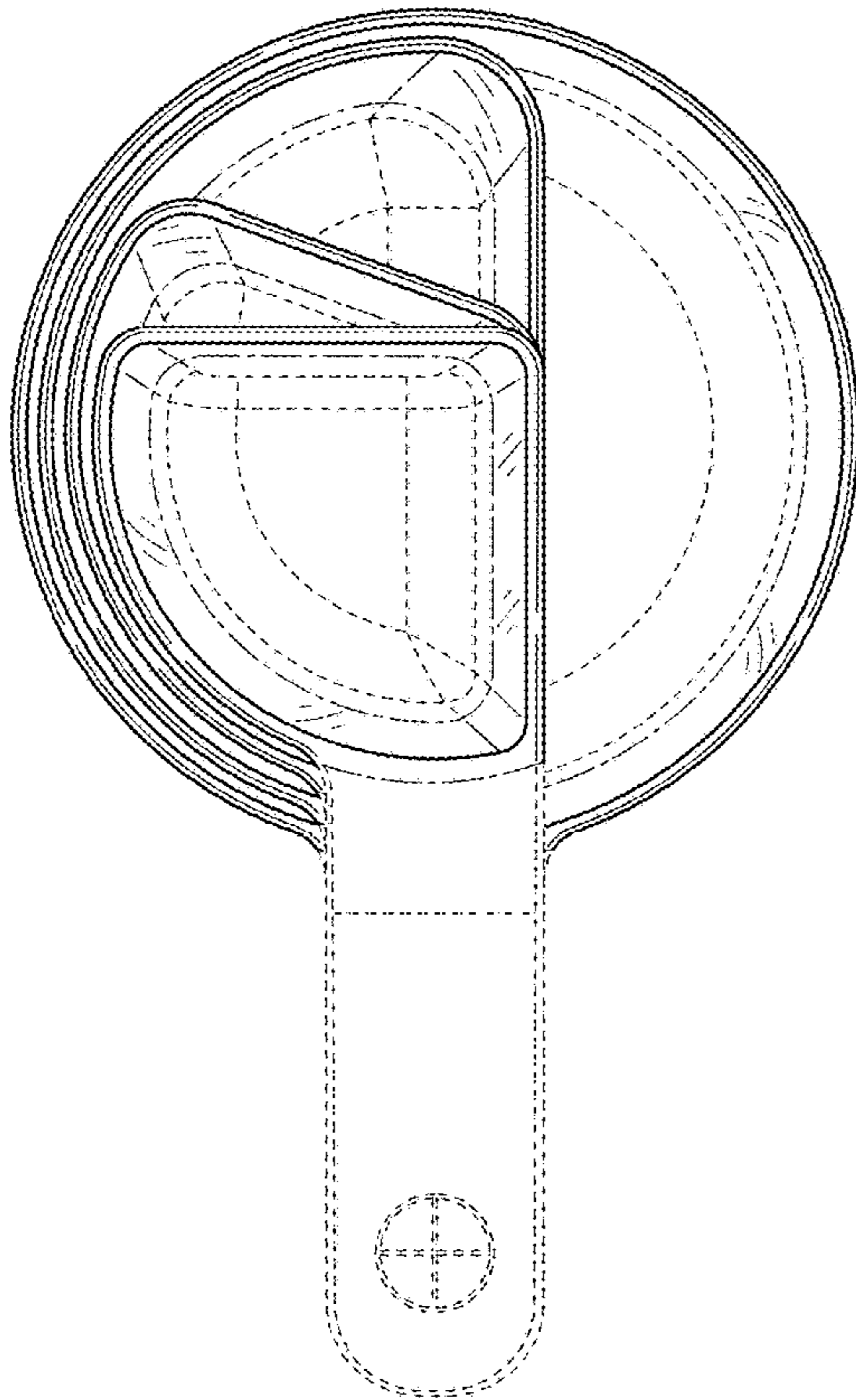


FIG. 27

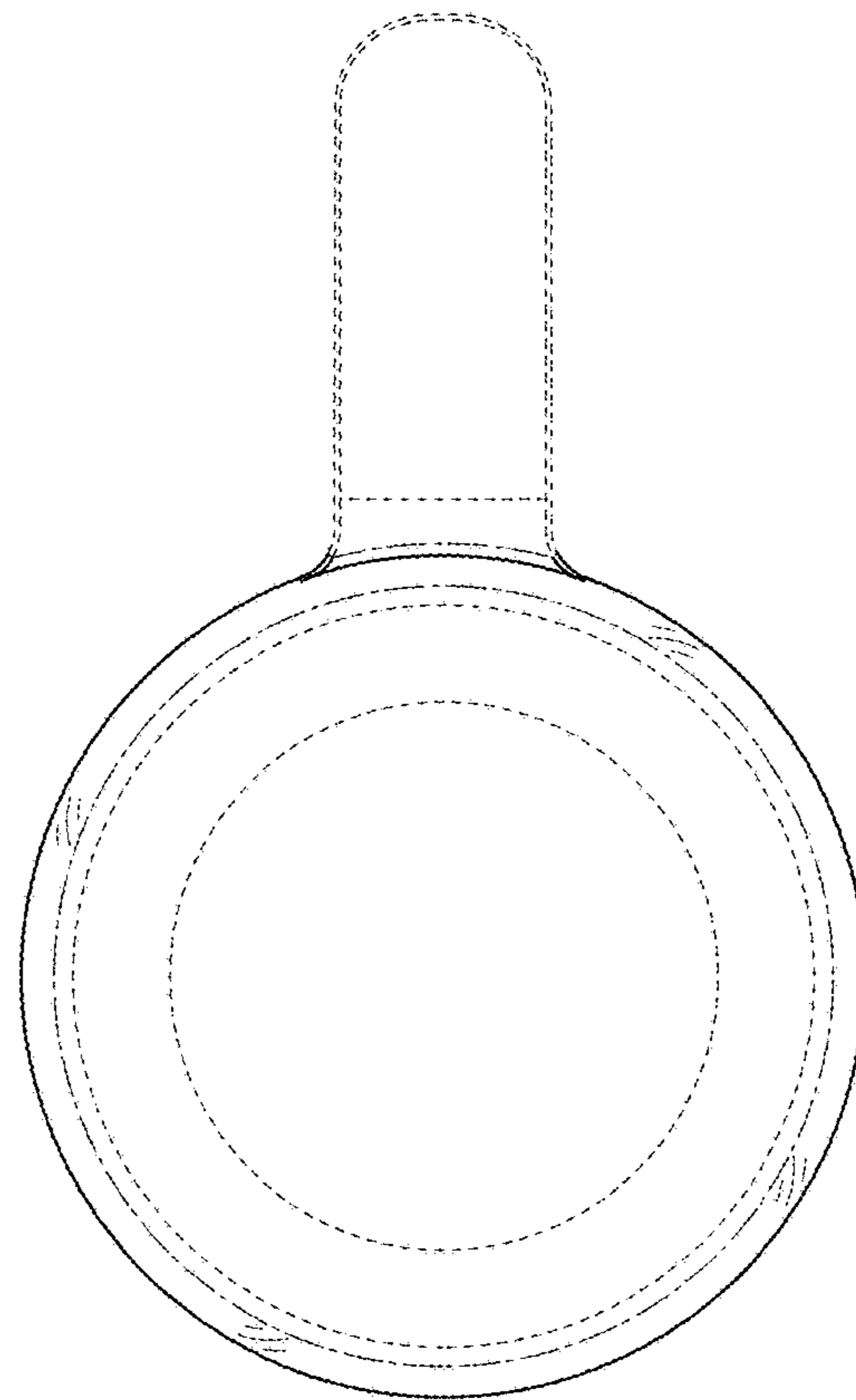


FIG. 28