



US00D845150S

(12) **United States Design Patent**  
**Shlyakhturov**

(10) **Patent No.:** **US D845,150 S**

(45) **Date of Patent:** **\*\* Apr. 9, 2019**

(54) **PERSONAL CALORIE COUNTER**

(71) Applicant: **Leonid Shlyakhturov**, Vladivostok (RU)

(72) Inventor: **Leonid Shlyakhturov**, Vladivostok (RU)

(\*\*) Term: **15 Years**

(21) Appl. No.: **29/596,743**

(22) Filed: **Mar. 10, 2017**

(30) **Foreign Application Priority Data**

Sep. 20, 2016 (KR) ..... 30-2016-0045463

(51) **LOC (11) Cl.** ..... **10-07**

(52) **U.S. Cl.**  
USPC ..... **D10/46; D24/186**

(58) **Field of Classification Search**

USPC ... D10/30-32, 38, 40, 41, 46, 70, 79, 106.5,  
D10/106.6, 106.92, 106.94, 114.6, 123,  
D10/125, 126, 128, 131; D11/1-4, 17,  
D11/26; D14/138, 144, 641, 644, 658,  
D14/485; D24/167, 169, 186, 187

CPC ..... Y10S 128/921  
See application file for complete search history.

(56) **References Cited**

**U.S. PATENT DOCUMENTS**

- D575,348 S \* 8/2008 Tanaka ..... D20/10
- D584,972 S \* 1/2009 Aeberhard ..... D10/32
- D721,609 S \* 1/2015 Duddy ..... D11/3
- D737,497 S \* 8/2015 Burgess ..... D26/113
- D754,356 S \* 4/2016 Lee ..... D11/3
- D755,885 S \* 5/2016 Lin ..... D17/22
- D756,999 S \* 5/2016 von Badinski ..... D14/344
- D780,615 S \* 3/2017 Baker ..... D11/26

- D784,182 S \* 4/2017 Baker ..... D11/26
- D791,764 S \* 7/2017 von Badinski ..... D14/344
- D791,765 S \* 7/2017 von Badinski ..... D14/344
- 9,716,779 B1 \* 7/2017 Nicodemus ..... H04M 1/0256
- D798,293 S \* 9/2017 Park ..... D14/344
- D804,471 S \* 12/2017 von Badinski ..... D14/344
- D805,736 S \* 12/2017 Dubose ..... D2/858

\* cited by examiner

*Primary Examiner* — Garth Rademaker

*Assistant Examiner* — Fritzgerald L Butac

(74) *Attorney, Agent, or Firm* — Mendelsohn Dunleavy, P.C.

(57) **CLAIM**

The ornamental design of a personal calorie counter, as shown and described.

**DESCRIPTION**

FIG. 1 is an exploded perspective view of the claimed design.

FIG. 2 is a perspective view showing the overall shape of the claimed design;

FIG. 3 is a view showing the front portion of the claimed design;

FIG. 4 is a view showing the rear portion of the claimed design;

FIG. 5 is a view showing the left side portion of the claimed design;

FIG. 6 is a view showing the right side portion of the claimed design;

FIG. 7 is a view showing the top plan portion of the claimed design;

FIG. 8 is a view showing the bottom plan portion of the claimed design; and,

FIG. 9 is a sectional view taken along line 9-9 of FIG. 3. The broken lines show portions of a personal calorie counter that form no part of the claimed design.

**1 Claim, 8 Drawing Sheets**

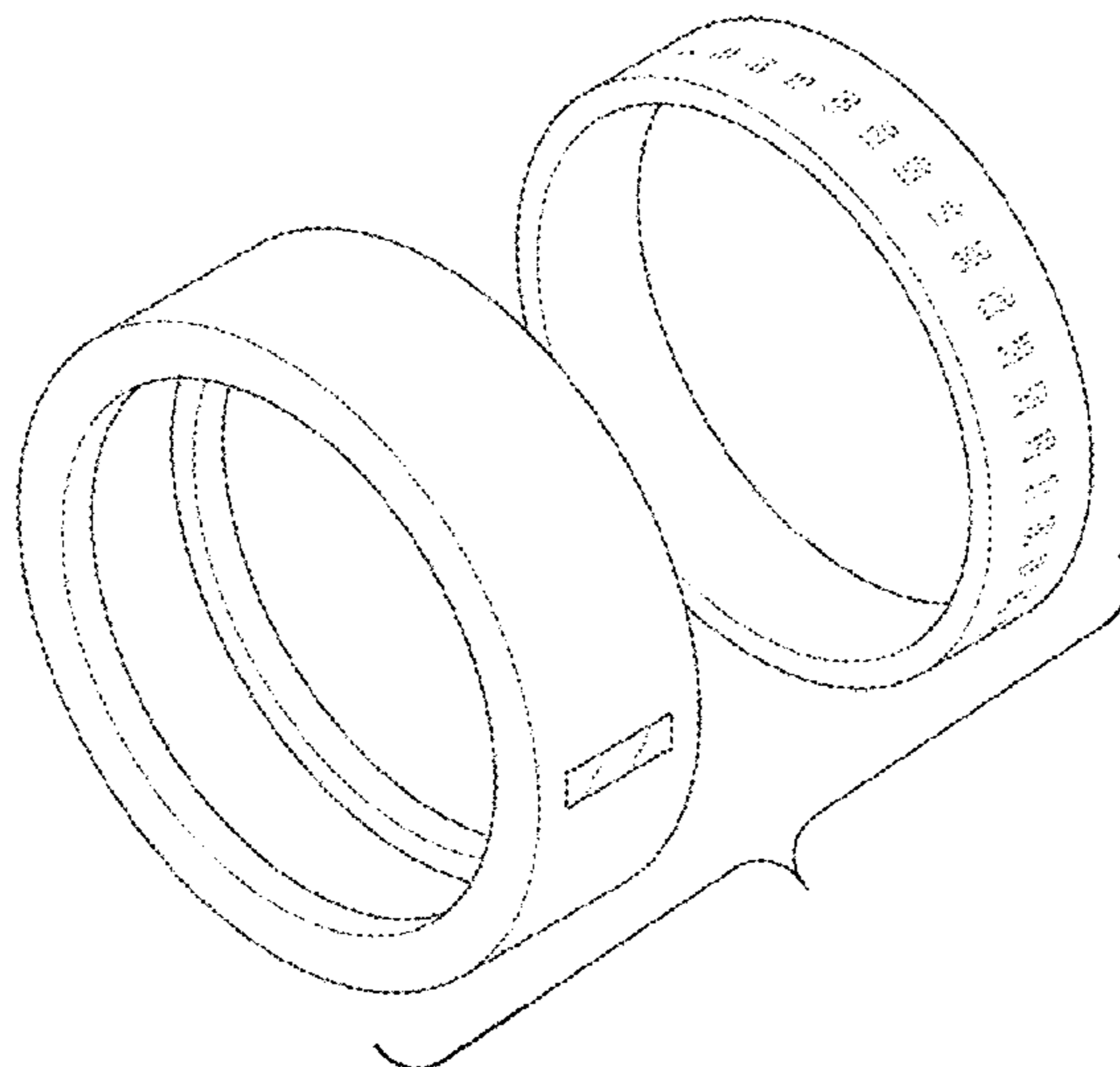


FIG. 1

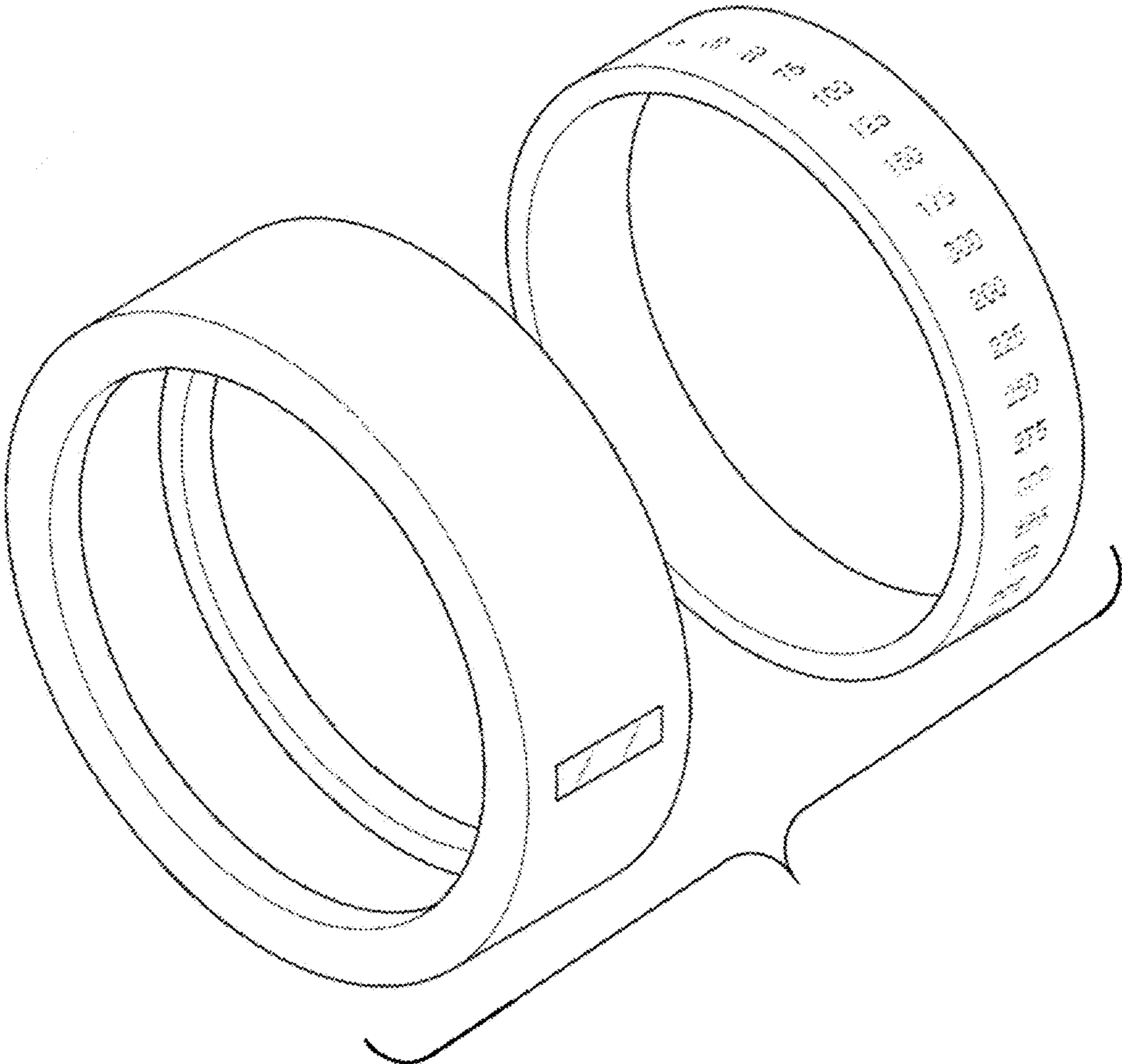


FIG. 2

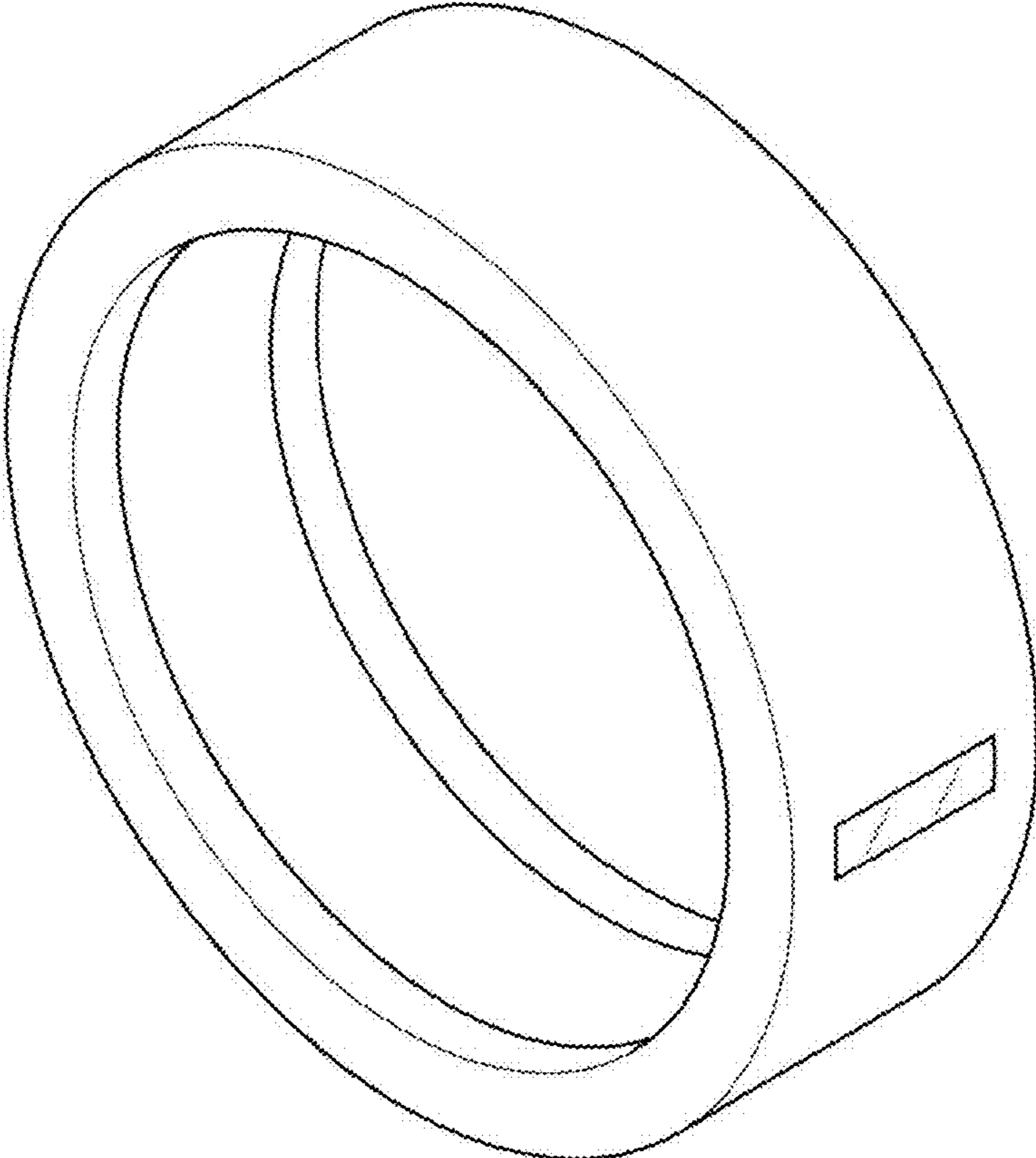


FIG. 3

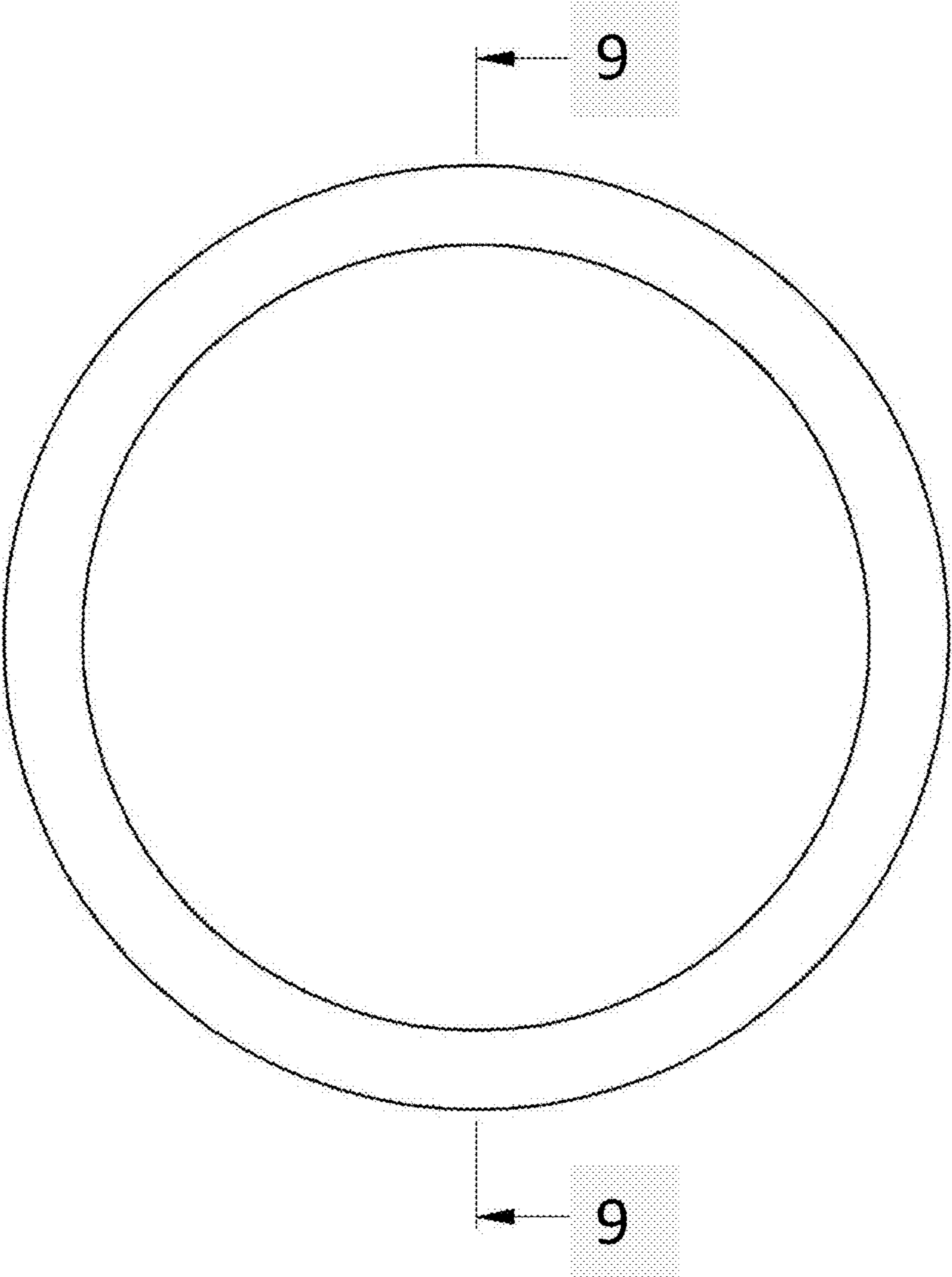


FIG. 4

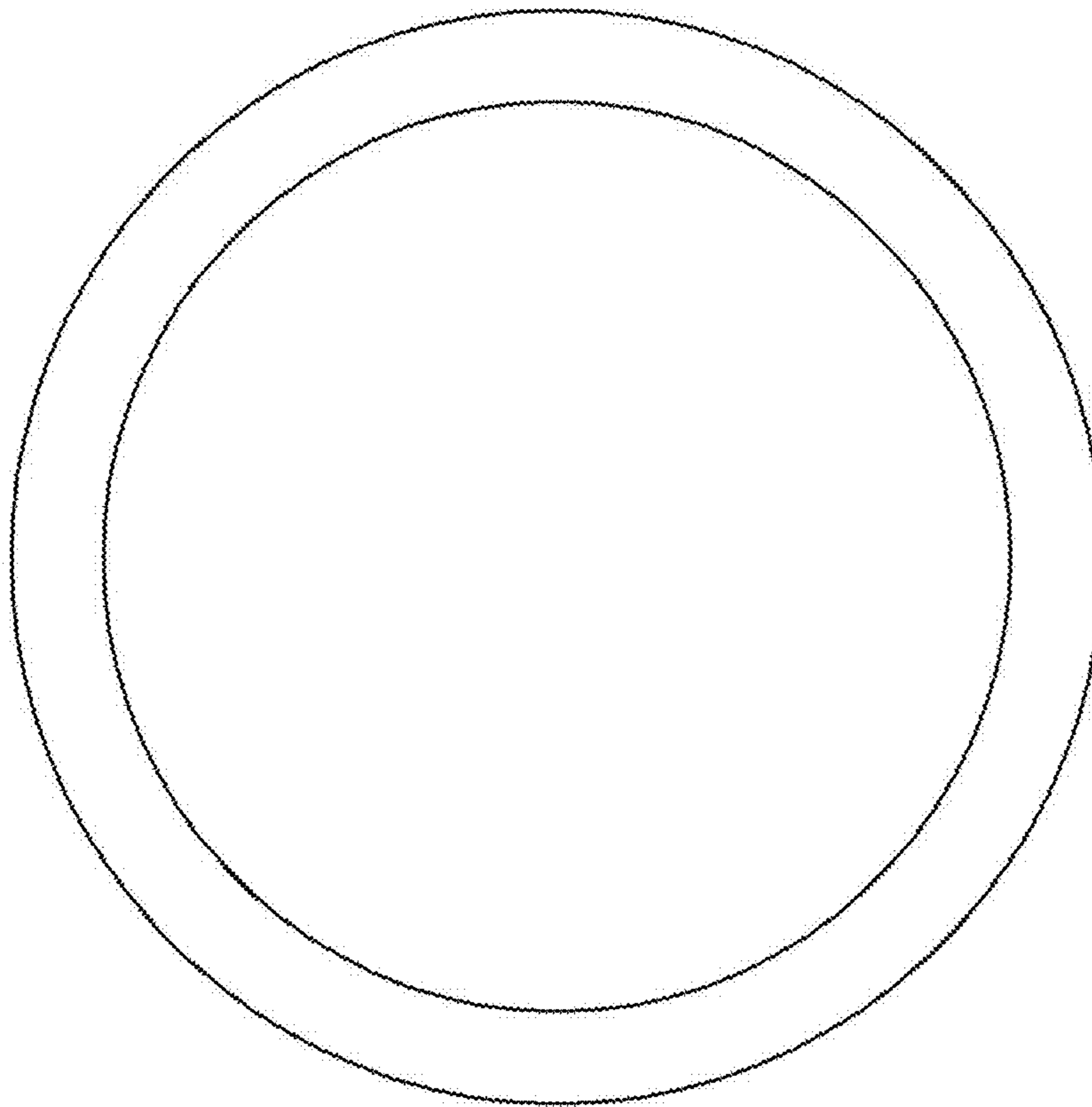


FIG. 5

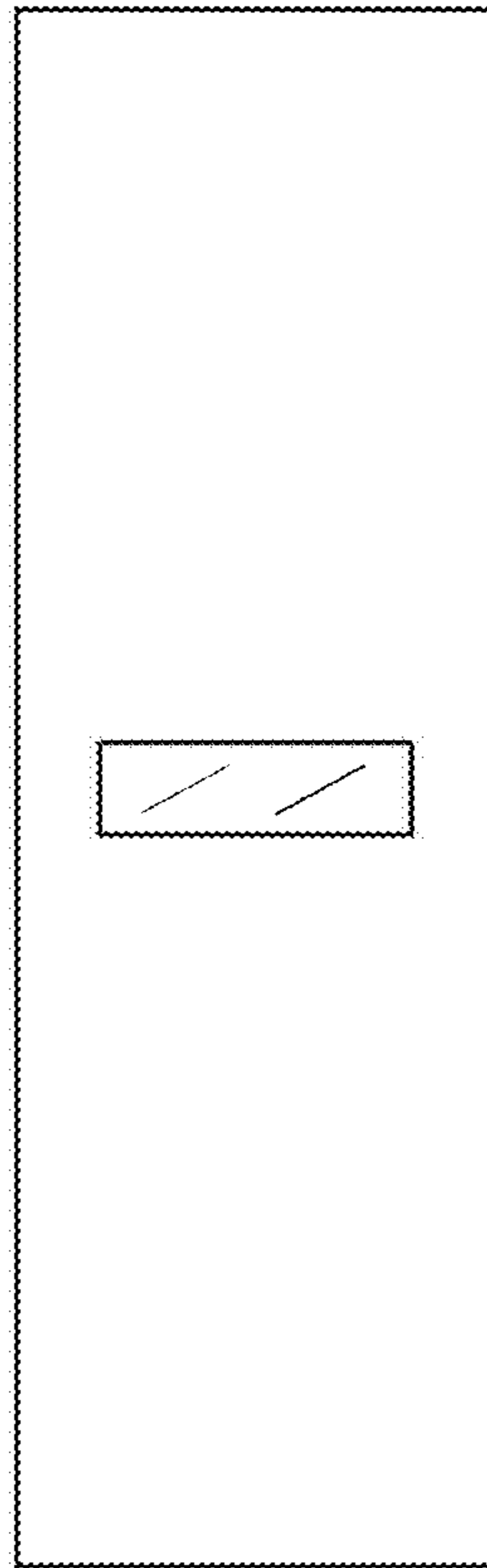


FIG. 6

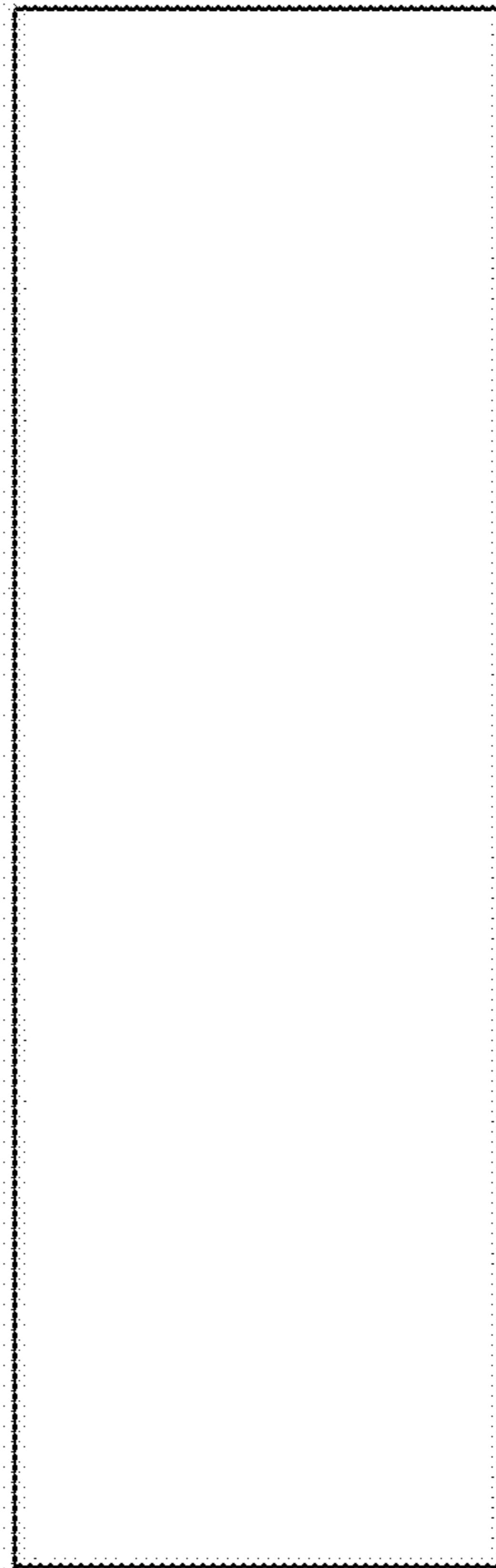




FIG. 7

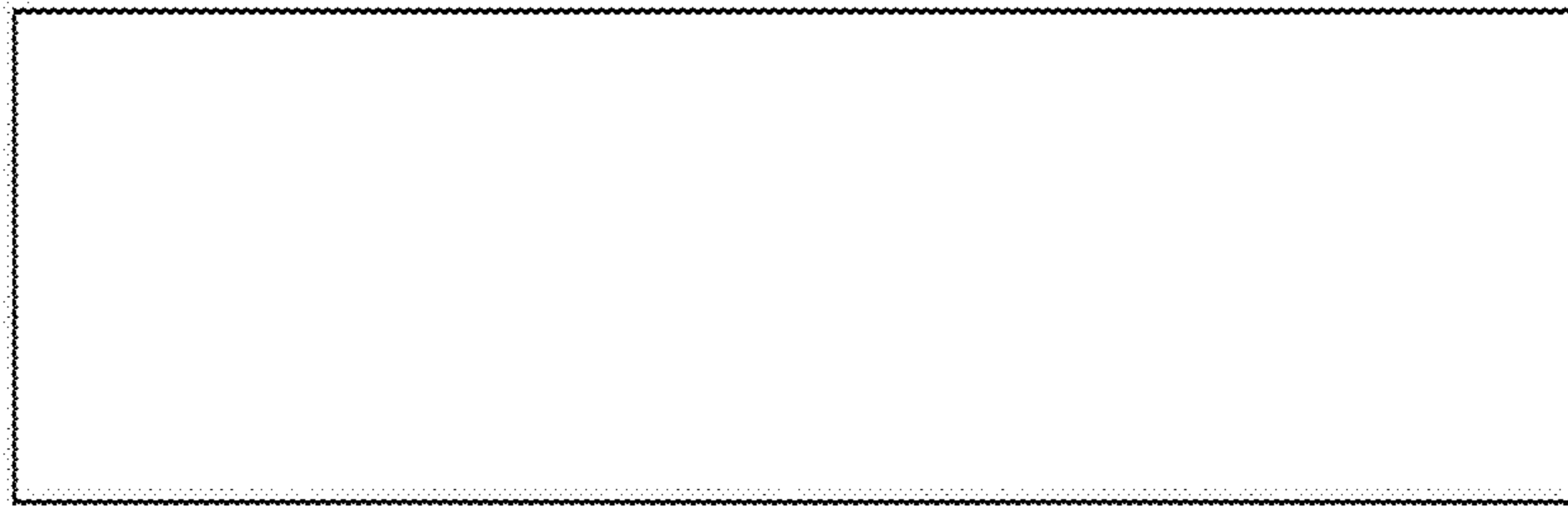


FIG. 8





FIG. 9

