



US00D845149S

(12) **United States Design Patent** (10) **Patent No.:** **US D845,149 S**  
**Yu** (45) **Date of Patent:** **\*\* Apr. 9, 2019**

(54) **ELECTRONIC ALARM CLOCK**

(71) Applicant: **Fuzhou Yishang Youpin Electronic Co. Ltd.**, Jianxin, Changshan, Fuzhou, Fujian (CN)

(72) Inventor: **Guo Yu**, Fuzhou (CN)

(73) Assignee: **Fuzhou Yishang Youpin Electronic Co. Ltd.**, Fujian (CN)

(\*\*) Term: **15 Years**

(21) Appl. No.: **29/604,828**

(22) Filed: **May 21, 2017**

(30) **Foreign Application Priority Data**

Nov. 30, 2016 (CN) ..... 2016 3 0585692

(51) **LOC (11) Cl.** ..... **10-01**

(52) **U.S. Cl.**  
USPC ..... **D10/15**

(58) **Field of Classification Search**  
USPC ..... D10/1-3, 6, 14-16, 23, 30-39, 41, 65,  
D10/70; D11/3, 14, 31, 52; D14/171,  
D14/344; D24/167, 186; D6/308, 310  
See application file for complete search history.

(56) **References Cited**

**U.S. PATENT DOCUMENTS**

D102,623 S \* 1/1937 Schlenker ..... D10/127  
3,759,030 A \* 9/1973 Wakabayashi ..... G04G 9/10  
368/82  
3,918,052 A \* 11/1975 Bricher ..... G04G 9/10  
340/815.56  
4,301,524 A \* 11/1981 Koeppe ..... G04G 13/026  
368/251  
D302,014 S \* 7/1989 Ohzu ..... D14/188  
D304,691 S \* 11/1989 Kubo ..... D10/15

(Continued)

**OTHER PUBLICATIONS**

Adoric Alarm Clock | posted at amazon.com Dec. 2017 © 1996-2018, Amazon.com, Inc [online][site visited Mar. 9, 2018]. Available from Internet: <[https://www.amazon.com/dp/B078KPMVW3/ref=psdc\\_509324\\_t2\\_B0731J2BXS](https://www.amazon.com/dp/B078KPMVW3/ref=psdc_509324_t2_B0731J2BXS) (Year: 2018).\*

(Continued)

*Primary Examiner* — Sandra S Snapp

*Assistant Examiner* — Katherine Glennon

(74) *Attorney, Agent, or Firm* — JCIPRNET

(57) **CLAIM**

An electronic alarm clock, as shown and described.

**DESCRIPTION**

FIG. 1 is a front view of an embodiment of an electronic alarm clock;

FIG. 2 is a back view of the electronic alarm clock shown in FIG. 1;

FIG. 3 is a left side view of the electronic alarm clock shown in FIG. 1;

FIG. 4 is a right side view of the electronic alarm clock shown in FIG. 1;

FIG. 5 is a top view of the electronic alarm clock shown in FIG. 1;

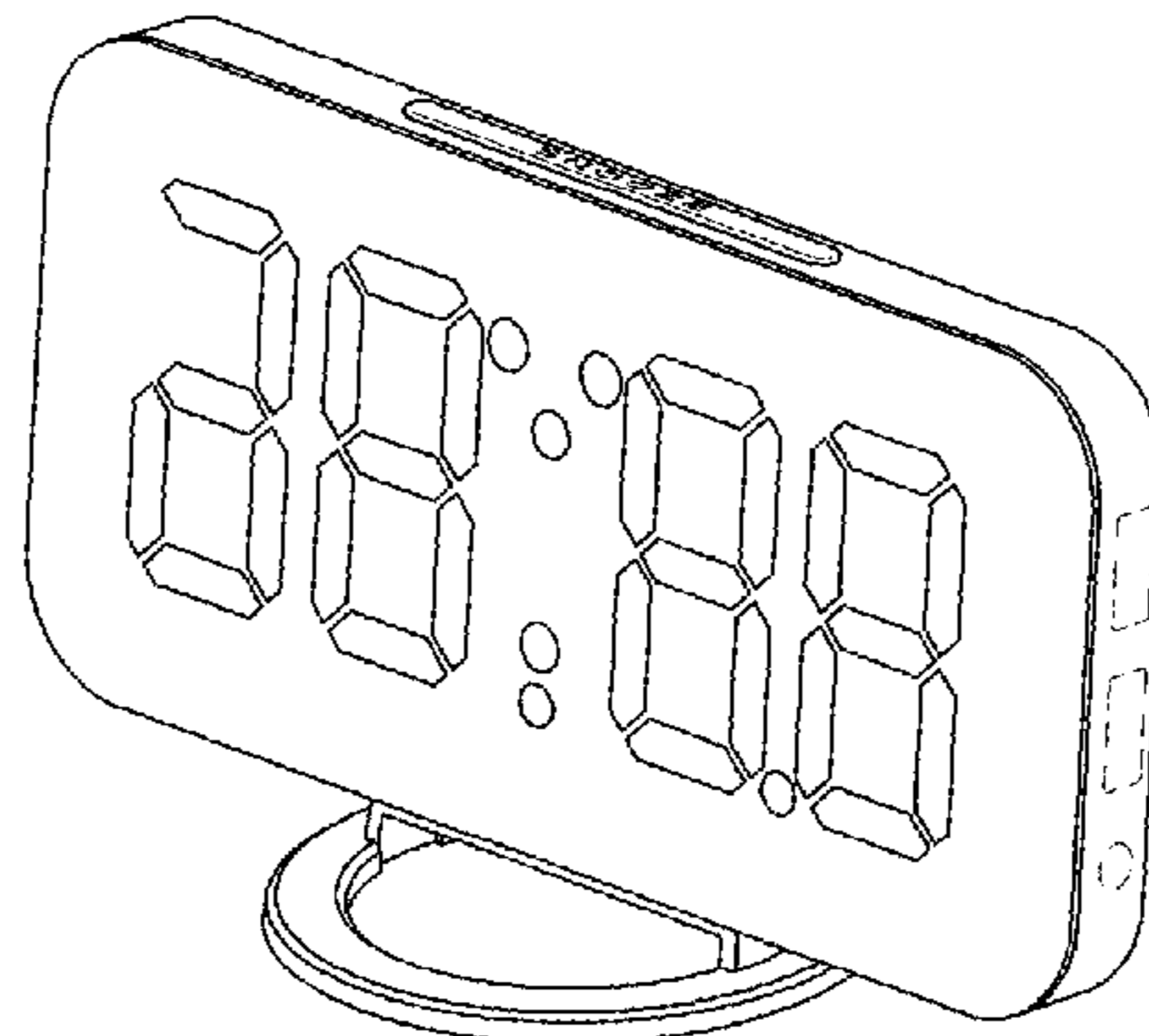
FIG. 6 is a bottom view of the electronic alarm clock shown in FIG. 1;

FIG. 7 is a left perspective view of an embodiment of an electronic alarm clock; and,

FIG. 8 is a right perspective view of an embodiment of an electronic alarm clock.

The broken line showing of portions of the electronic alarm clock is for the purpose of illustrating unclaimed portions of the electronic alarm clock and forms no part of the claimed design.

**1 Claim, 4 Drawing Sheets**



(56)

References Cited

U.S. PATENT DOCUMENTS

D312,971 S \* 12/1990 Takashima ..... D10/10  
 D317,870 S \* 7/1991 Dumas ..... D10/18  
 D323,989 S \* 2/1992 Burgener ..... D10/18  
 D337,951 S \* 8/1993 Bruzzi ..... D10/18  
 D348,842 S \* 7/1994 Olivadoti ..... D10/125  
 D467,508 S \* 12/2002 Kwok ..... D10/15  
 D485,190 S \* 1/2004 Blaylock ..... D10/15  
 D535,306 S \* 1/2007 Tokioka ..... D14/157  
 D543,868 S \* 6/2007 Bhavnani ..... D10/15  
 D575,828 S \* 8/2008 Weinstein ..... D10/15  
 D583,799 S \* 12/2008 Owens ..... D10/2  
 D585,306 S \* 1/2009 Oas ..... D10/15  
 D592,863 S \* 5/2009 Hoehn ..... D6/310  
 D598,300 S \* 8/2009 Sadler ..... D10/15  
 D601,583 S \* 10/2009 Andre ..... D14/496  
 D631,051 S \* 1/2011 DeFronzo ..... D14/434  
 D638,814 S \* 5/2011 Sutherland ..... D14/138 G  
 D693,324 S \* 11/2013 Wang ..... D14/138 G  
 D702,227 S \* 4/2014 Washiyama ..... D14/341  
 D720,324 S \* 12/2014 Wang ..... D14/138 G

D730,227 S \* 5/2015 Haase ..... D10/122  
 9,310,778 B1 \* 4/2016 Gancz ..... G04G 13/025  
 D782,993 S \* 4/2017 Wang ..... D14/138 G  
 D784,946 S \* 4/2017 Jun ..... D14/138 AA  
 D786,816 S \* 5/2017 Choo ..... D14/138 AA  
 D790,496 S \* 6/2017 Park ..... D14/138 AA  
 D804,443 S \* 12/2017 Kang ..... D14/138 AB  
 D806,669 S \* 1/2018 Kangasmaa ..... D14/138 AA  
 2008/0180353 A1 \* 7/2008 Liao ..... G09G 3/04  
 345/34  
 2014/0269222 A1 \* 9/2014 Patton ..... G04G 15/00  
 368/73  
 2016/0183393 A1 \* 6/2016 Groom ..... A45C 11/00  
 280/33.992

OTHER PUBLICATIONS

iPhone 4 | review posted at endgadget.com Jun. 3, 2010 © 2018 Oath  
 Tech Network Aol Tech. [online][site visited Apr. 16, 2018]. Avail-  
 able from Internet: <<https://www.engadget.com/2010/06/22/iphone-4-review/>> (Year: 2010).\*

\* cited by examiner

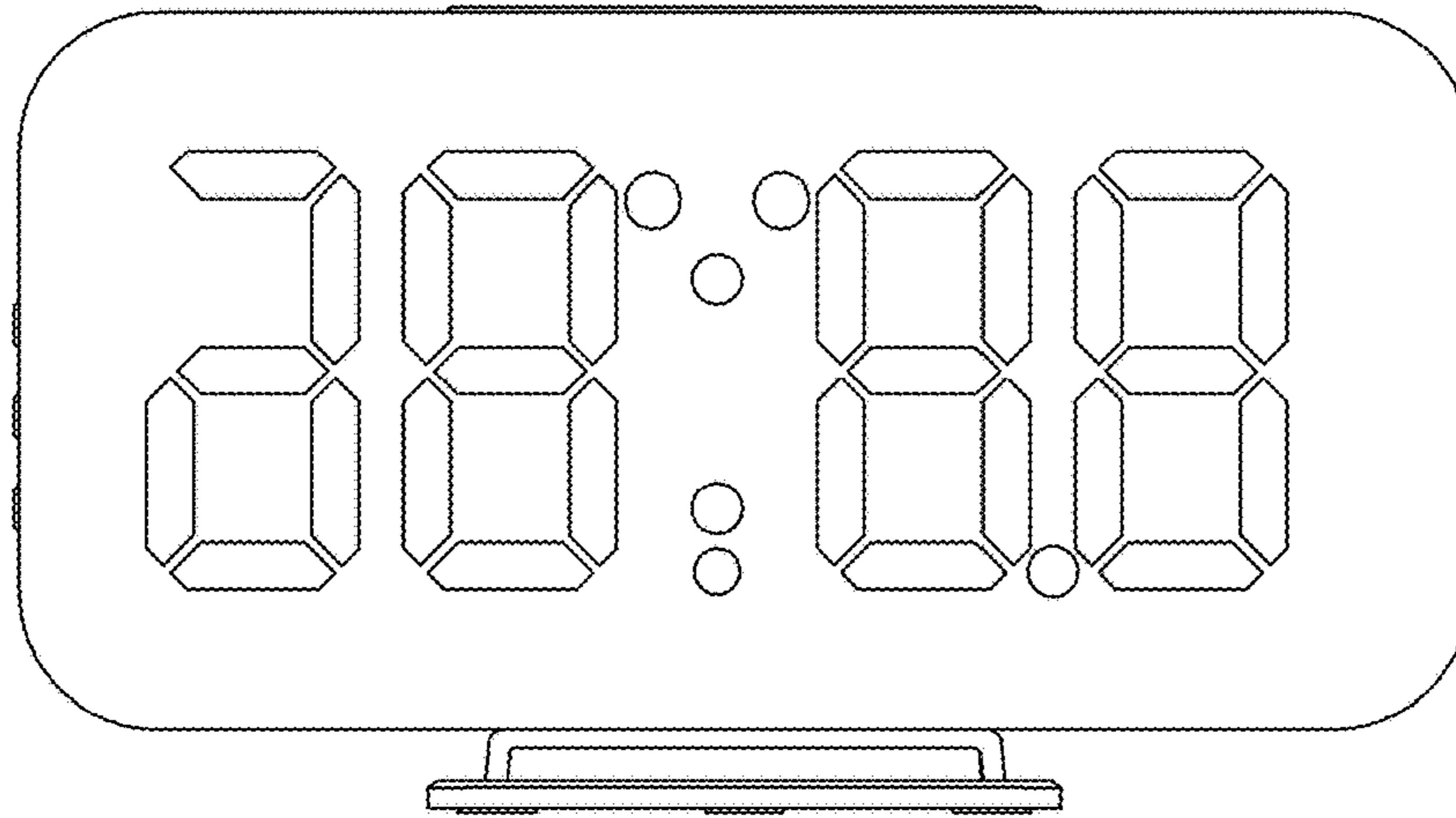


FIG. 1

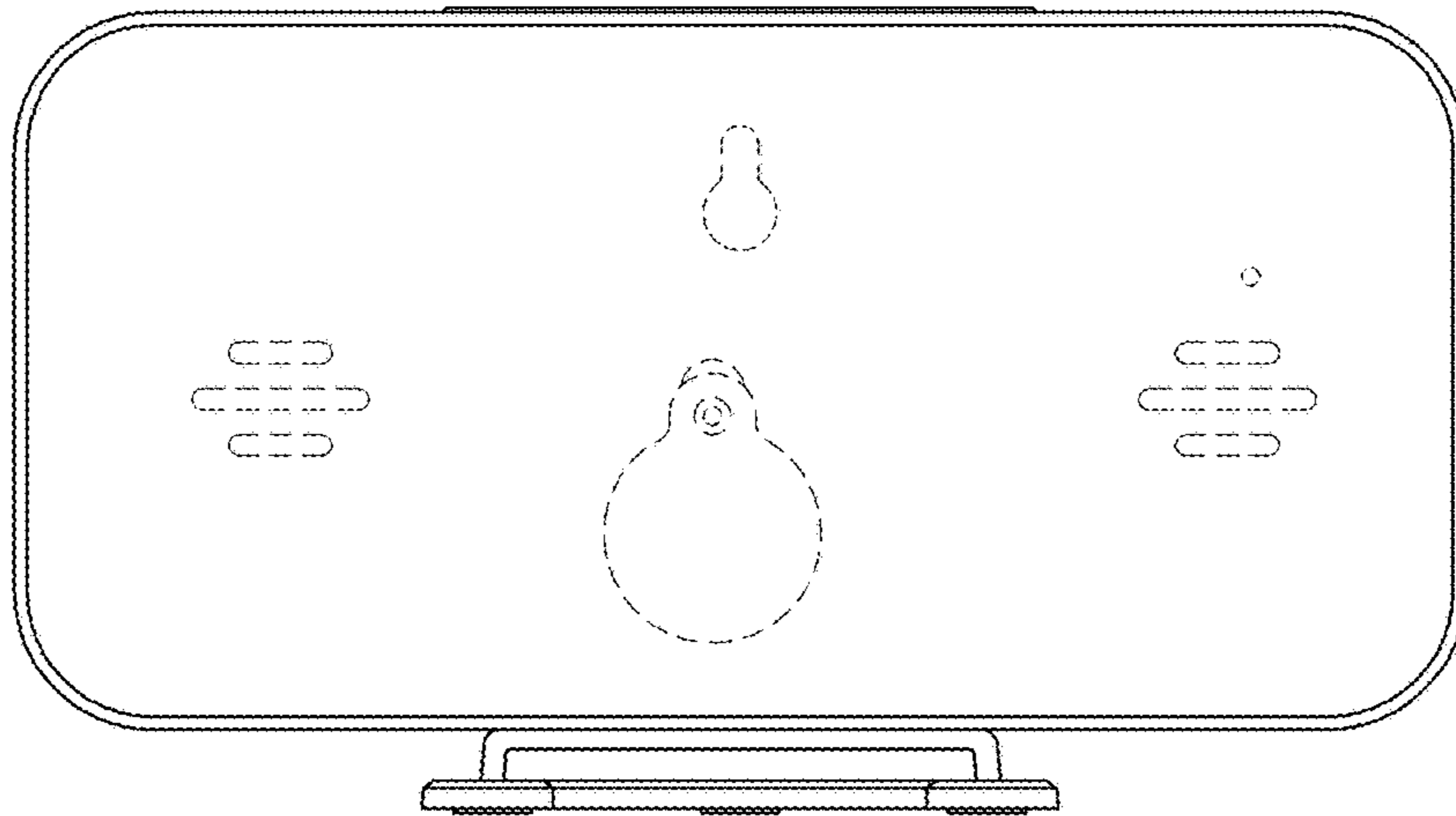


FIG. 2

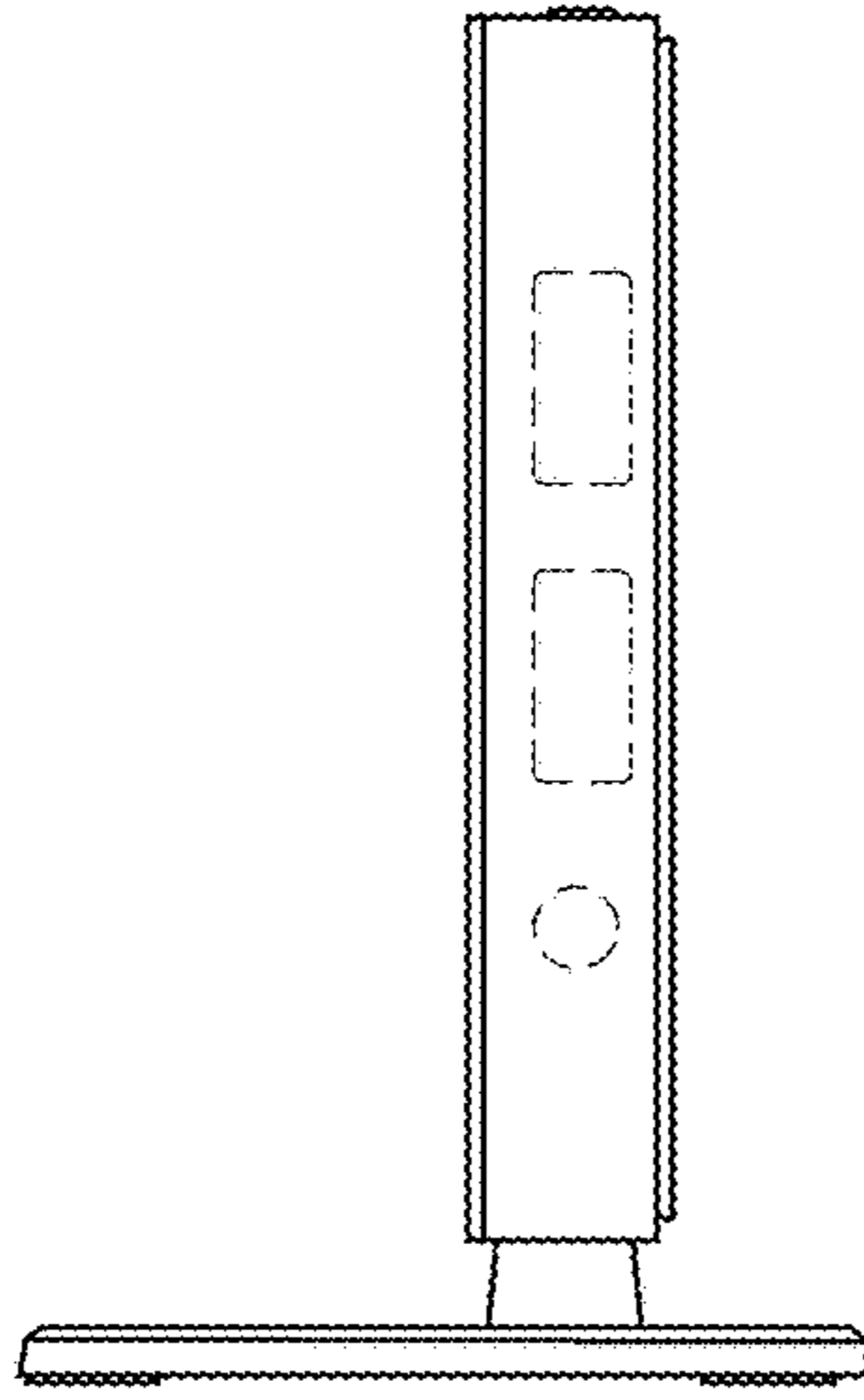


FIG. 3

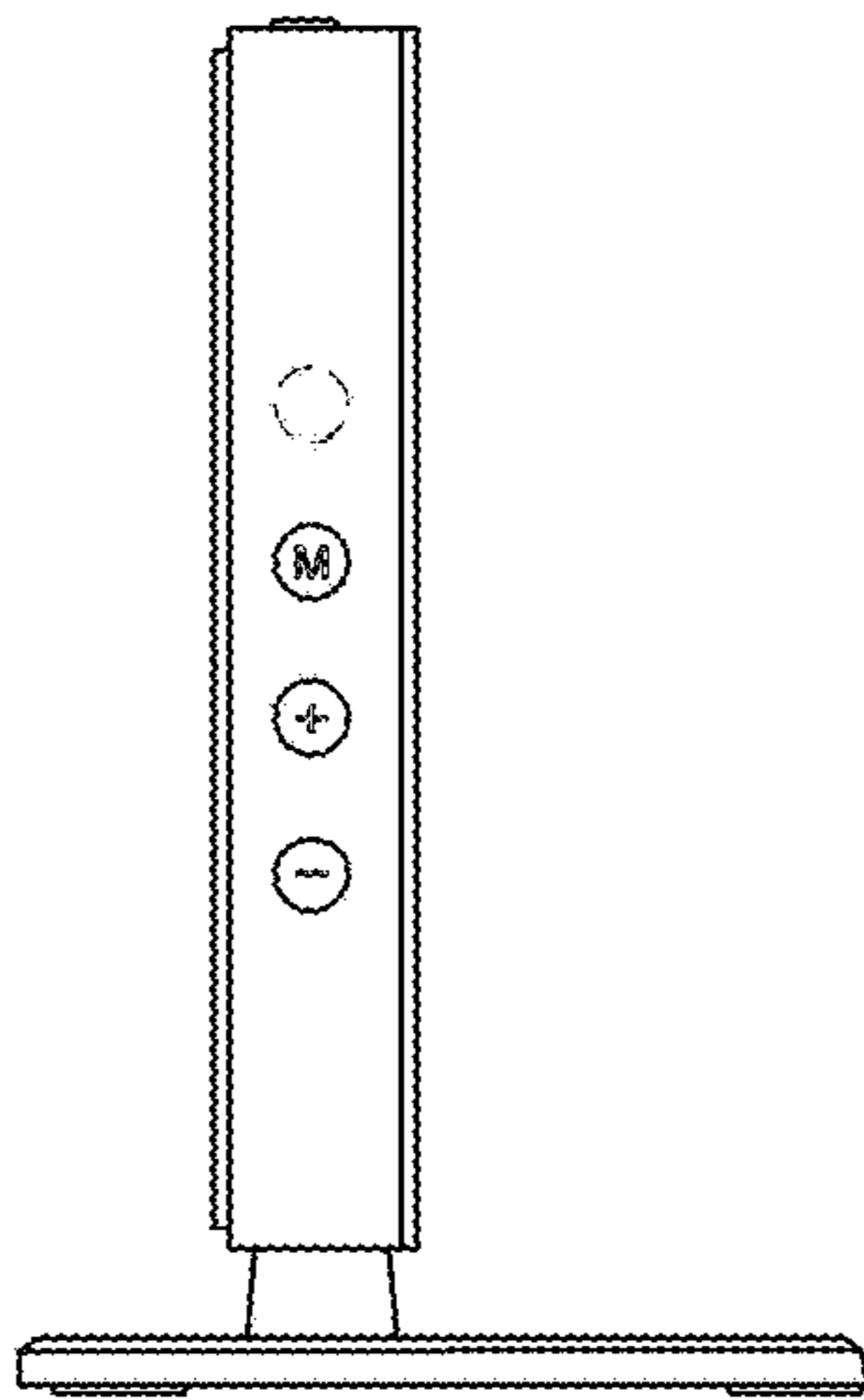


FIG. 4



FIG. 5

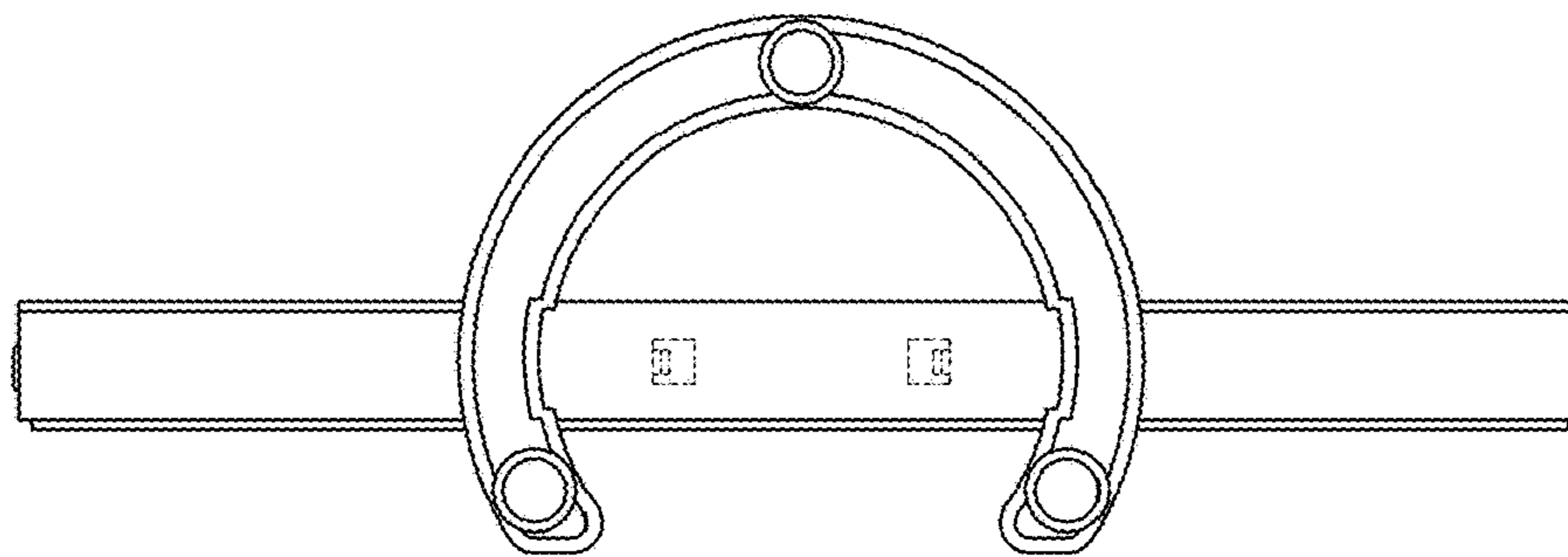


FIG. 6

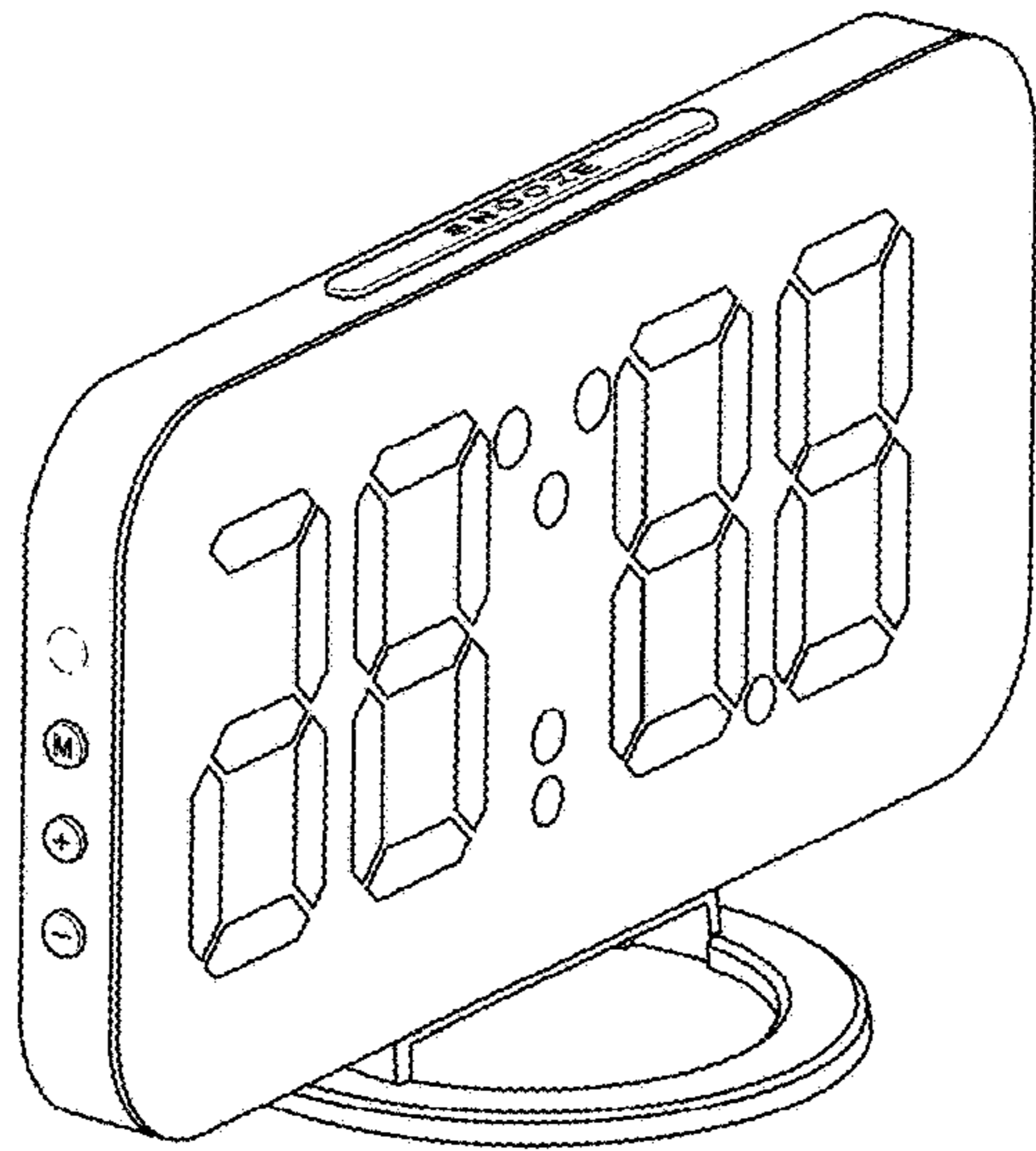


FIG. 7

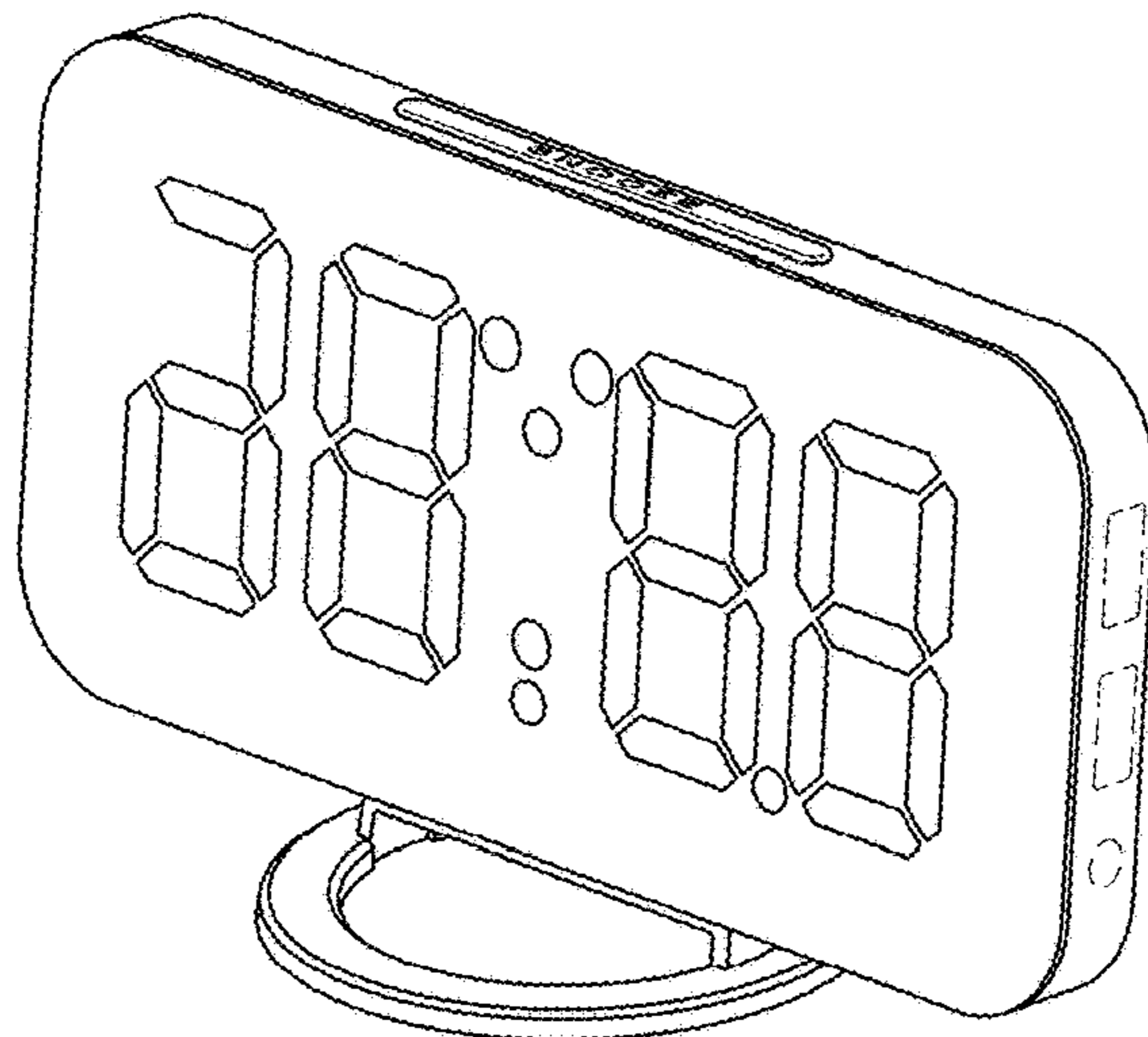


FIG. 8