



US00D845148S

(12) **United States Design Patent**  
**Kwasniak**

(10) **Patent No.:** **US D845,148 S**  
(45) **Date of Patent:** **\*\* Apr. 9, 2019**

(54) **CLOCK**  
(71) Applicant: **European Timespieces, Coquitlam (CA)**  
(72) Inventor: **Andrzej Kwasniak, Coquitlam (CA)**  
(73) Assignee: **European Timepieces, Coquitlam (CA)**  
(\*\*) Term: **15 Years**

D104,658 S \* 5/1937 Fronenberg ..... D10/16  
D249,242 S \* 9/1978 Williams ..... D10/5  
D275,938 S \* 10/1984 Sonier ..... D10/2  
D277,371 S \* 1/1985 Sonier ..... D10/26  
D324,179 S \* 2/1992 Mukoyama ..... D10/1  
D324,180 S \* 2/1992 Tamura ..... D10/1  
D330,678 S \* 11/1992 Prudhomme ..... D10/1  
D402,897 S \* 12/1998 Williams ..... D10/6  
D442,497 S \* 5/2001 Ho ..... D10/16  
D446,460 S \* 8/2001 Leykekhmakher ..... D10/1

(Continued)

(21) Appl. No.: **29/609,531**  
(22) Filed: **Jun. 30, 2017**  
(51) **LOC (11) Cl.** ..... **10-01**  
(52) **U.S. Cl.**  
USPC ..... **D10/2; D10/26**  
(58) **Field of Classification Search**  
USPC ..... D10/1, 2-3, 5-7, 14-15, 22-28, 40-41,  
D10/46.1, 46.2, 49-50, 52, 55, 59,  
D10/122-124, 126-128, 132;  
D14/170-171, 197, 218, 489-490, 492;  
D15/28; D20/20-21, 29; D7/589  
CPC ..... G04B 19/00; G04B 19/04; G04B 19/042;  
G04B 19/044; G04B 19/06; G04B  
19/065; G04B 19/08; G04B 19/085;  
G04B 19/26; G04B 19/264; G04B  
45/0069; G04B 47/02; G04B 47/04;  
G04B 47/048; G04C 3/001; G04C 19/00;  
G04C 19/02; G04C 19/06; G04F 1/00;  
G04F 3/00; G04F 3/02; A47J 31/407  
See application file for complete search history.

**OTHER PUBLICATIONS**

Jaeger Le Coultre clock Rue de la Paix | posted at Istdibs.com n.d. vintage 1970s © Istdibs, Inc. 2018 [online][site visited Jul. 26, 2018]. Available from internet: <[https://www.1stdibs.com/furniture/decorative-objects/clocks/jaeger-le-coultre-clock-rue-de-la-paix-french-street-light/id-f\\_481436/](https://www.1stdibs.com/furniture/decorative-objects/clocks/jaeger-le-coultre-clock-rue-de-la-paix-french-street-light/id-f_481436/)> (Year: 1970).\*

(Continued)

*Primary Examiner* — Sandra S Snapp  
*Assistant Examiner* — Katherine Glennon  
(74) *Attorney, Agent, or Firm* — Thorpe North & Western LLP

(57) **CLAIM**

The ornamental design for a clock, as shown and described.

**DESCRIPTION**

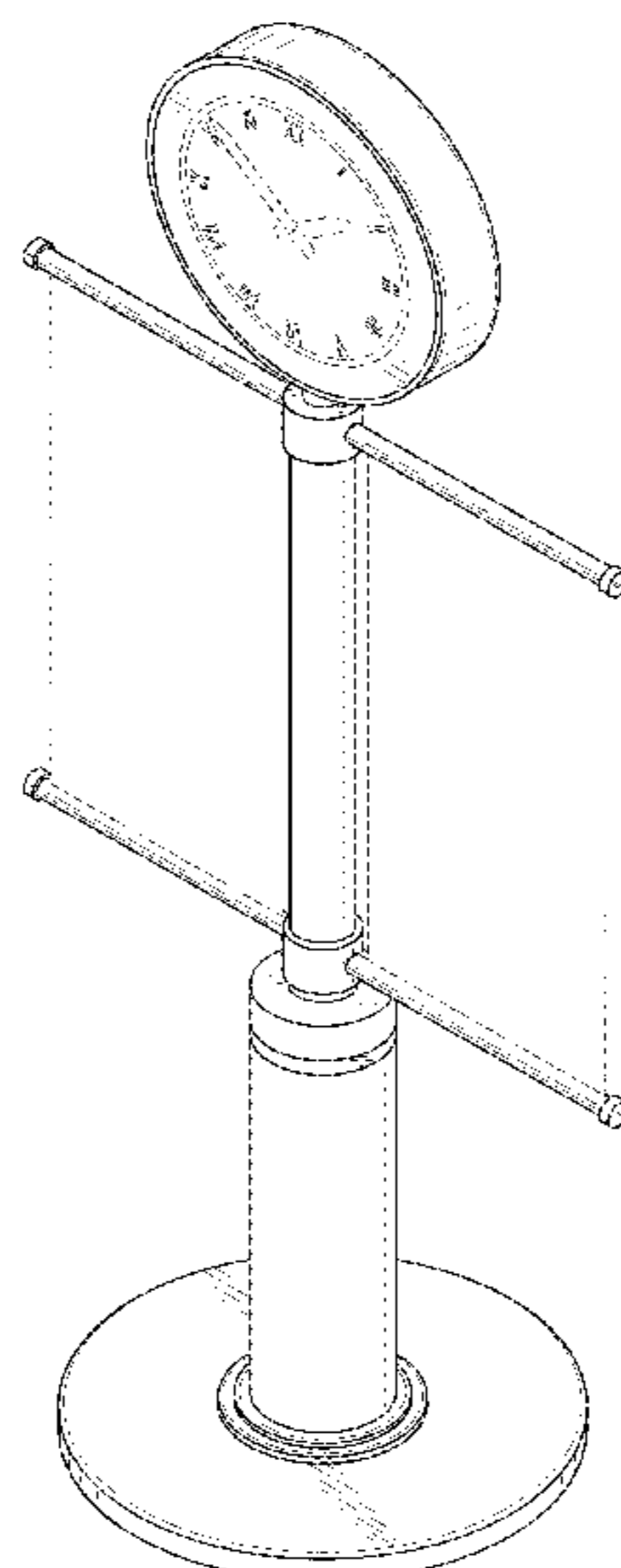
FIG. 1 is perspective view of the clock in accordance with my invention;  
FIG. 2 is front thereof;  
FIG. 3 is back view thereof;  
FIG. 4 is side view of the invention as shown in FIG. 1;  
FIG. 5 is an opposite side view of FIG. 4;  
FIG. 6 is a top view of the invention; and,  
FIG. 7 is a bottom view of the invention.  
The broken lines shown in FIGS. 1-7 are for illustrative purposes only and form no part of the claimed design.

**1 Claim, 5 Drawing Sheets**

(56) **References Cited**

**U.S. PATENT DOCUMENTS**

D12,340 S \* 7/1881 McLewee ..... D10/2  
1,036,485 A \* 8/1912 Greenwald ..... G04B 19/02  
368/220  
D51,280 S \* 9/1917 Fontana ..... D10/14  
D57,960 S \* 5/1921 Allen ..... D10/2  
D67,274 S \* 5/1925 Demetropoulos ..... D10/23



(56)

**References Cited**

U.S. PATENT DOCUMENTS

D514,957 S \* 2/2006 Lin ..... D10/16  
D568,767 S \* 5/2008 Duwe ..... D10/16  
D569,272 S \* 5/2008 Duwe ..... D10/16  
D615,423 S \* 5/2010 Alkire ..... D10/46.1  
D724,958 S \* 3/2015 Daniels ..... D10/15  
2007/0291592 A1\* 12/2007 Heineman ..... G04C 11/00  
368/46

OTHER PUBLICATIONS

Advertising Clock | posted at europeantimepieces.com n.d. © 2017  
by European Timepieces [online][site visited Jul. 27, 2018]. Availalbe  
from internet: <<https://www.europeantimepieces.com/news-1>> (Year:  
2017).\*

Ecat Orologi CityClock | posted at ecat.it. n.d. © Ecat Orologi di  
Gallo Amilcare & C. snc [online][site visited Jul. 27, 2018].  
Available from internet: <<https://www.ecat.it/en/products/clocks-civic/cityclock>>.\*

\* cited by examiner

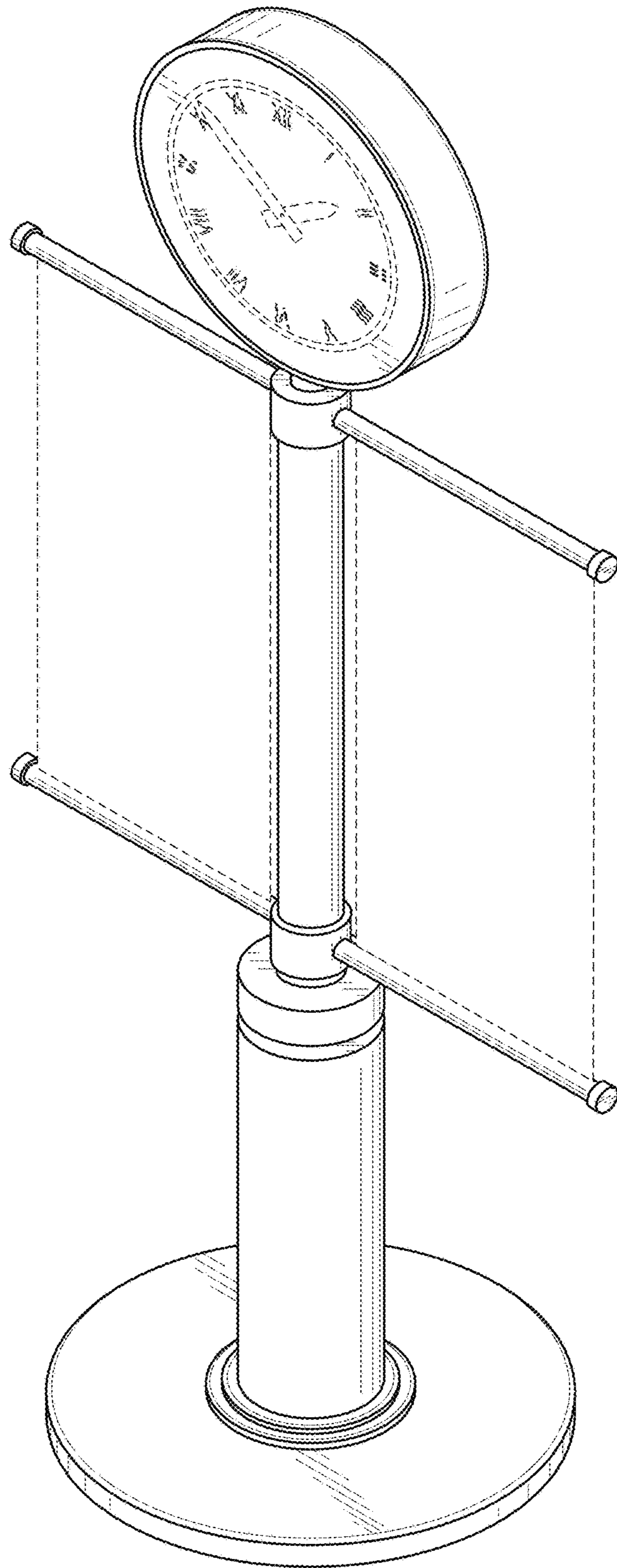
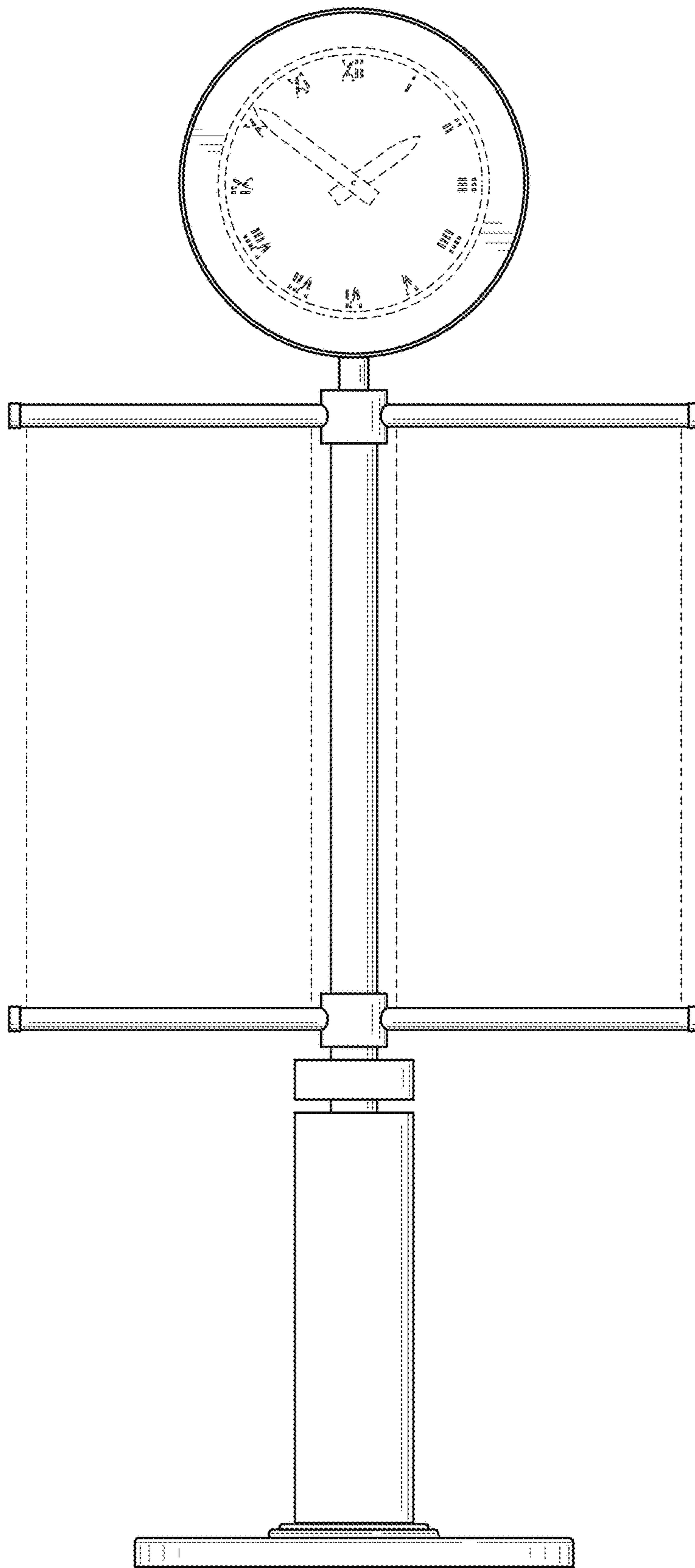
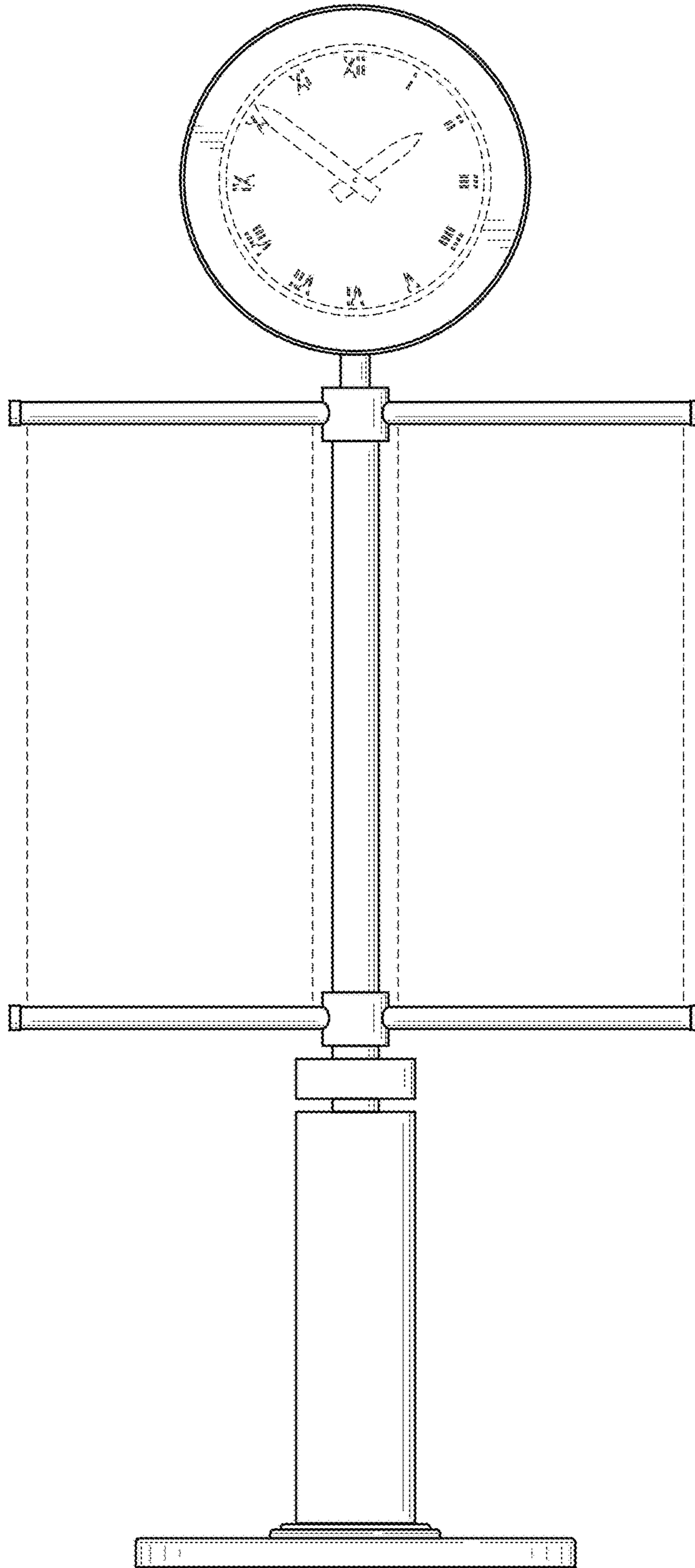


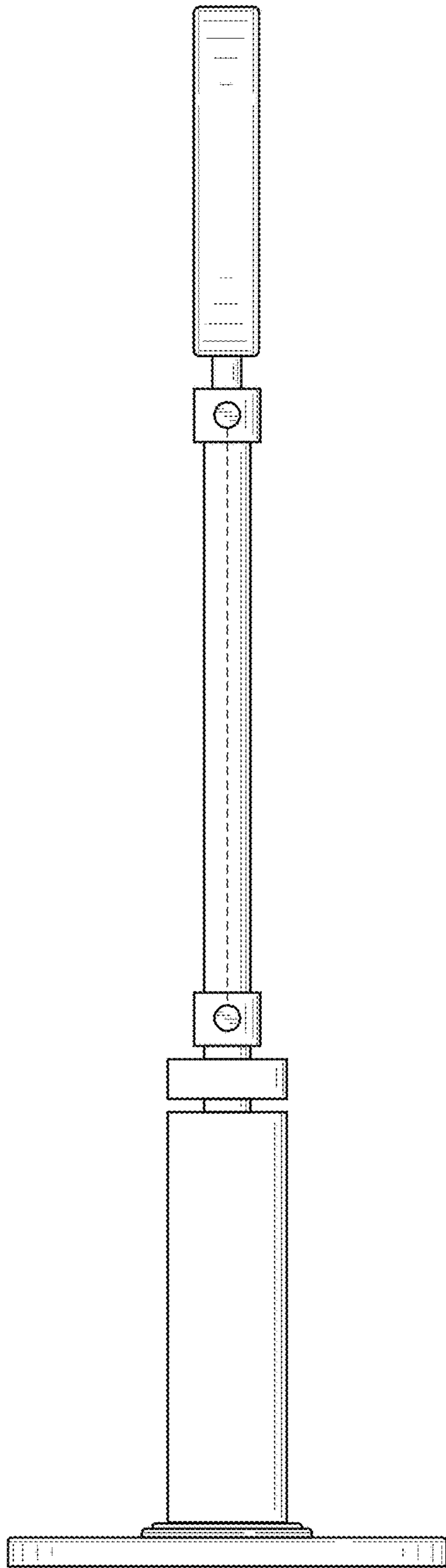
FIG. 1



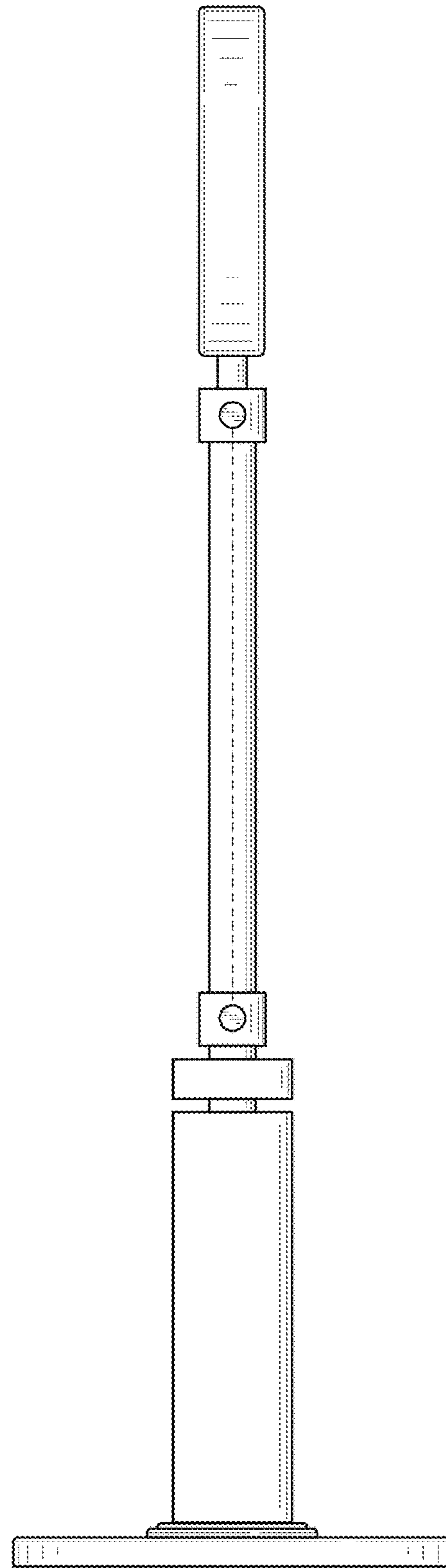
**FIG. 2**



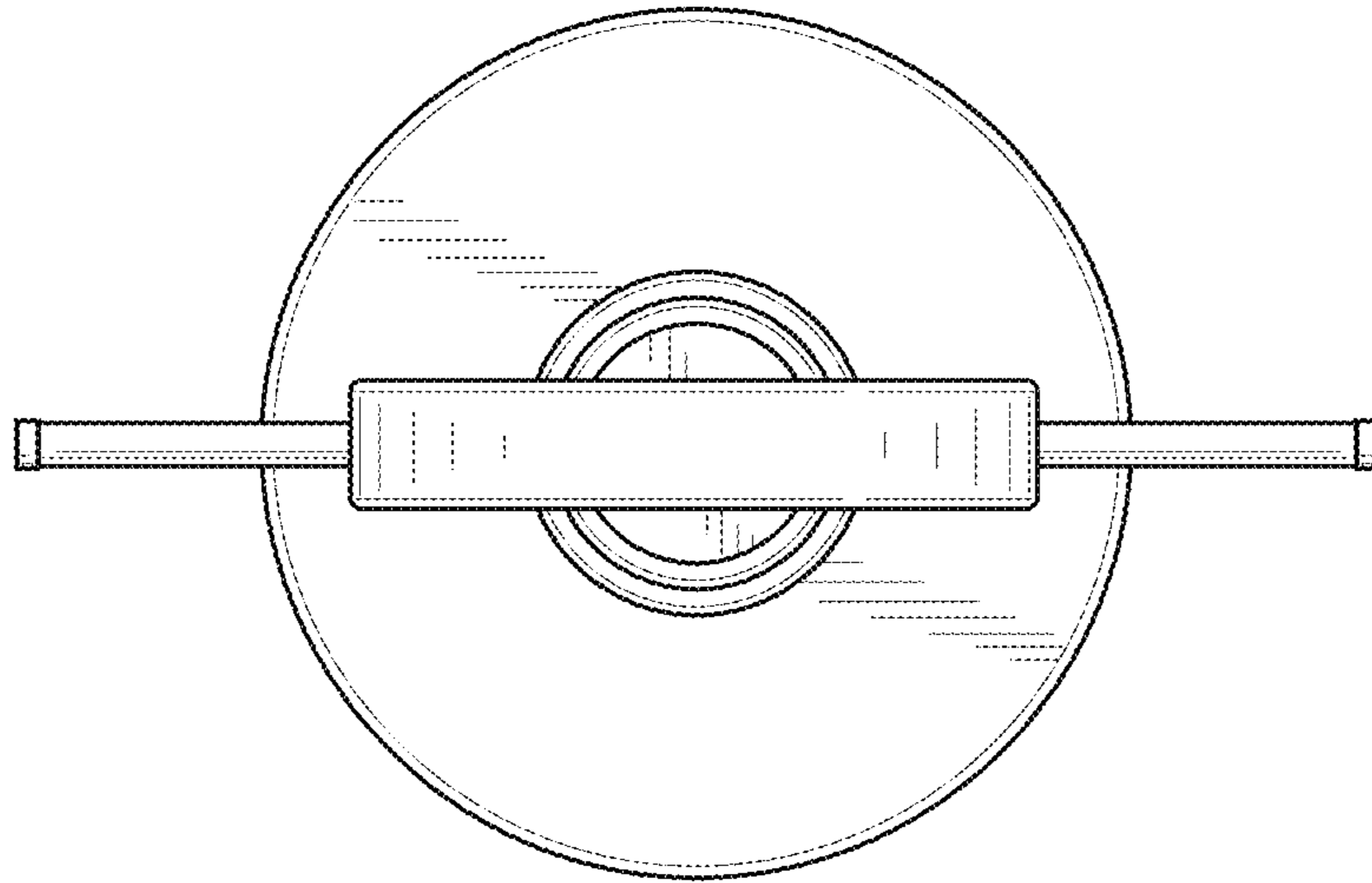
**FIG. 3**



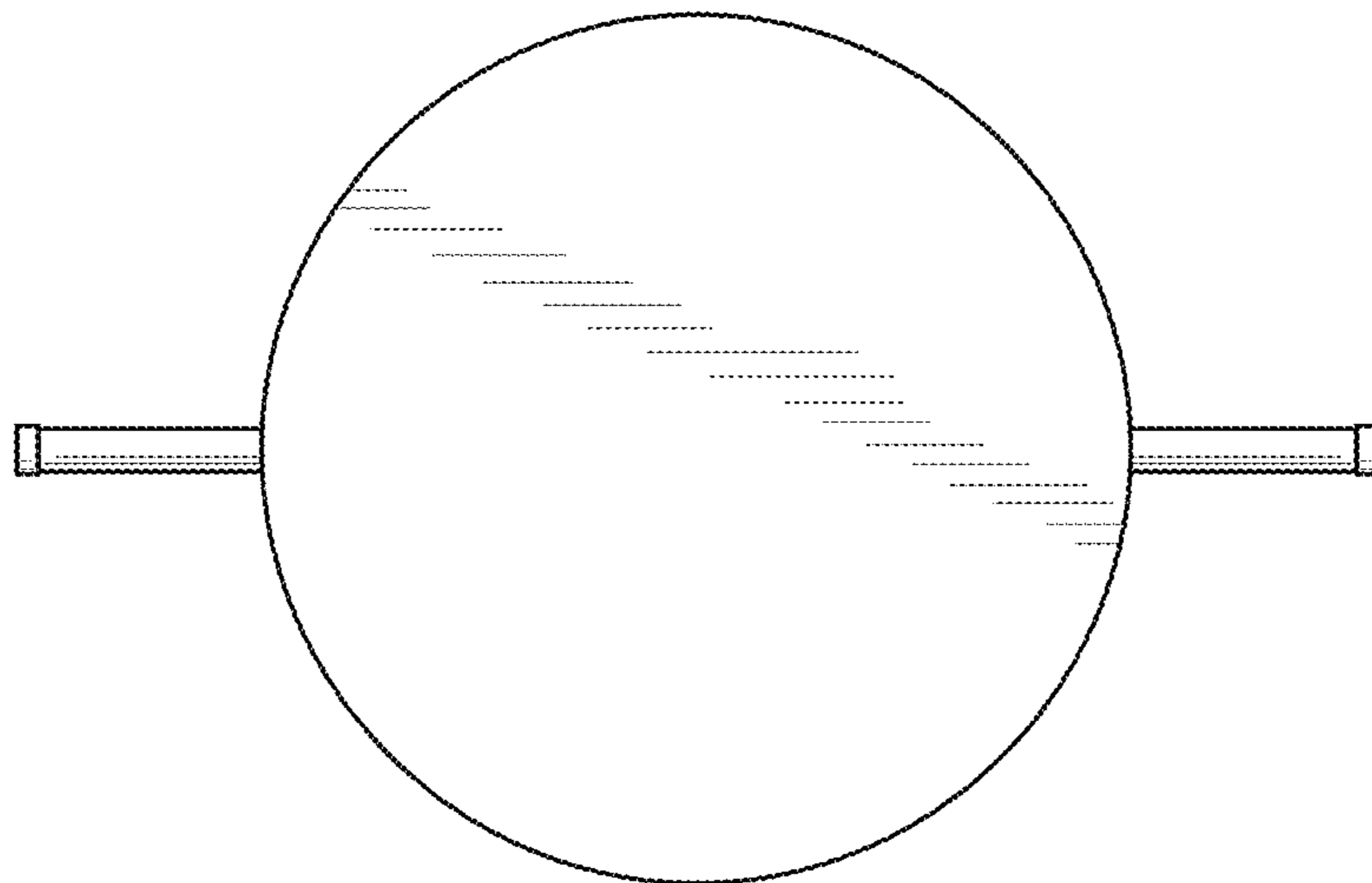
**FIG. 4**



**FIG. 5**



**FIG. 6**



**FIG. 7**