



US00D845143S

(12) **United States Design Patent** (10) **Patent No.:** **US D845,143 S**
Hershman et al. (45) **Date of Patent:** **** Apr. 9, 2019**

- (54) **CONTAINMENT BAG**
- (71) Applicants: **Jay Hershman**, Cheshire, CT (US);
Bryan DeAngelo, Cheshire, CT (US);
John Casner, Cheshire, CT (US)
- (72) Inventors: **Jay Hershman**, Cheshire, CT (US);
Bryan DeAngelo, Cheshire, CT (US);
John Casner, Cheshire, CT (US)
- (**) Term: **15 Years**
- (21) Appl. No.: **29/622,910**
- (22) Filed: **Oct. 20, 2017**
- (51) **LOC (11) Cl.** **09-05**
- (52) **U.S. Cl.**
USPC **D9/703**
- (58) **Field of Classification Search**
USPC D12/415-419, 191, 106, 96, 400, 195,
D12/345, 99; 296/37.1, 37.8, 70, 24.1,
296/24.2, 24.3, 137.1, 97.1, 97.2, 97.4,
296/97.5, 97.6, 97.7, 97.8, 180; 190/100,
190/102, 111, 115, 900; 224/311, 539,
224/281, 275; 383/6, 66, 23, 33, 61.1;
D7/601, 703, 705; 248/278.1, 274.1,
248/284.1; D3/319, 276, 283, 287, 902;
160/370.21, 370.23, 370.22; 220/1.5, 1.6,
220/495.01, 495.05; 206/317, 315.11
CPC B60R 5/00; B60R 5/04; B60R 7/00; B60R
7/02; A47G 29/00; A45C 13/30; B65D
88/1612; B65D 88/1618; B65D 88/1681
See application file for complete search history.

- D539,036 S * 3/2007 Potts D12/425
- 7,325,681 B2 * 2/2008 Schonenbach A45C 11/24
206/315.11
- D633,296 S * 3/2011 Potts D3/305
- 8,459,489 B2 * 6/2013 Potts A45C 7/0022
220/212
- D821,959 S * 7/2018 Baker D12/425

* cited by examiner

Primary Examiner — Abraham Bahta
(74) *Attorney, Agent, or Firm* — Adam P. Daniels, Esq.;
Polsinelli LLP

(57) **CLAIM**

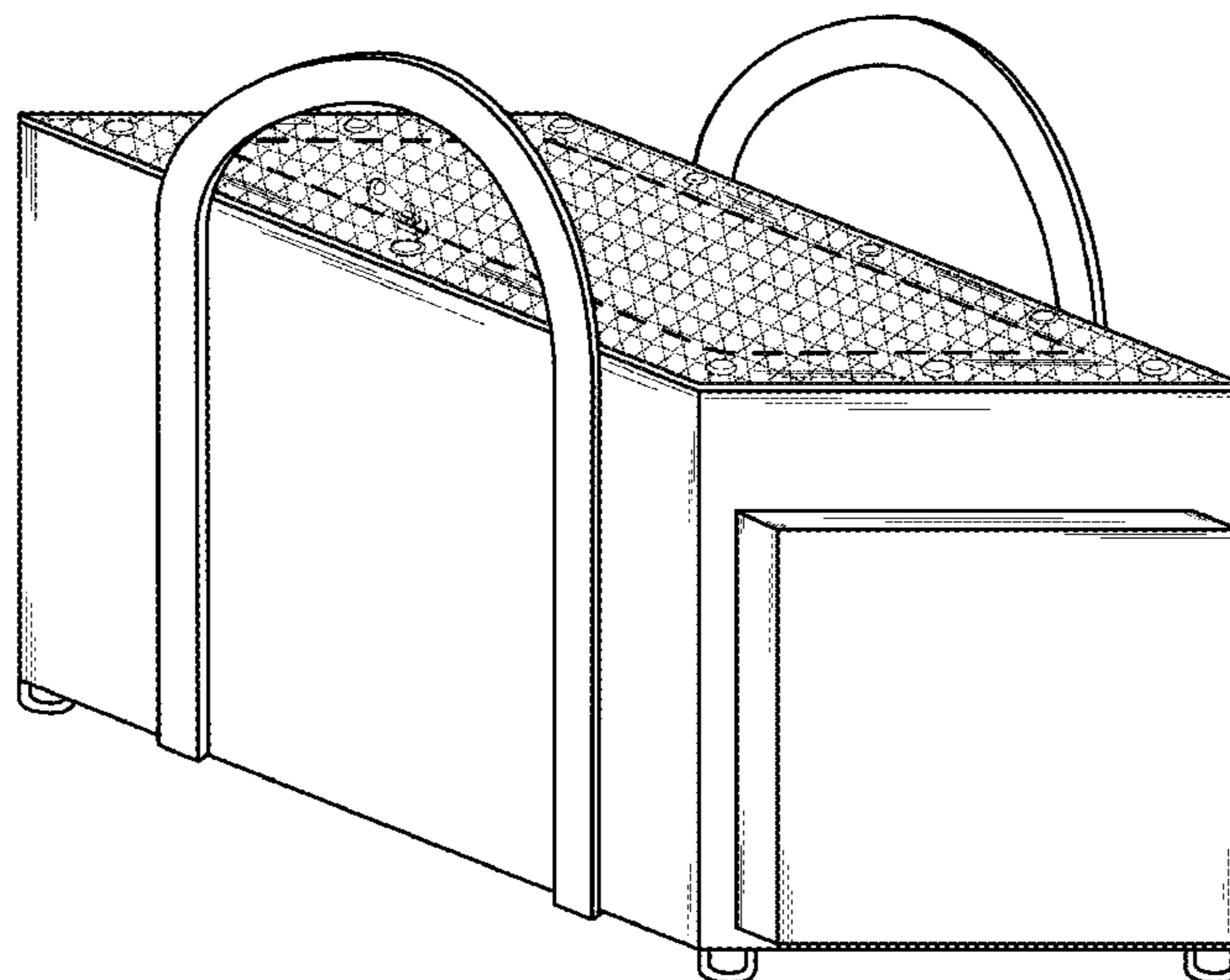
The ornamental design for a containment bag, as shown and described.

DESCRIPTION

FIG. 1 is an isometric perspective view of a containment bag, shown in a position of use, having an attached and unclaimed mesh top drawn in broken lines;
 FIG. 2 is a front elevation view of the containment bag shown in FIG. 1;
 FIG. 3 is a back elevation view of the containment bag shown in FIG. 1;
 FIG. 4 is a right side elevation view of the containment bag shown in FIG. 1;
 FIG. 5 is a left side elevation view of the containment bag shown in FIG. 1;
 FIG. 6 is a top plan view of the containment bag shown in FIG. 1, shown with the attached and unclaimed mesh top drawn in broken lines; and,
 FIG. 7 is a bottom plan view of the containment bag shown in FIG. 1.
 The broken lines showing the mesh top in FIG. 1 and FIG. 6 depict environment and form no part of the claimed design. All other broken lines depict portions of the containment bag that form no part of the claimed design.

1 Claim, 7 Drawing Sheets

- (56) **References Cited**
U.S. PATENT DOCUMENTS
2,164,493 A * 7/1939 Branen A45C 3/00
190/111
D475,251 S * 6/2003 Crandall D7/607



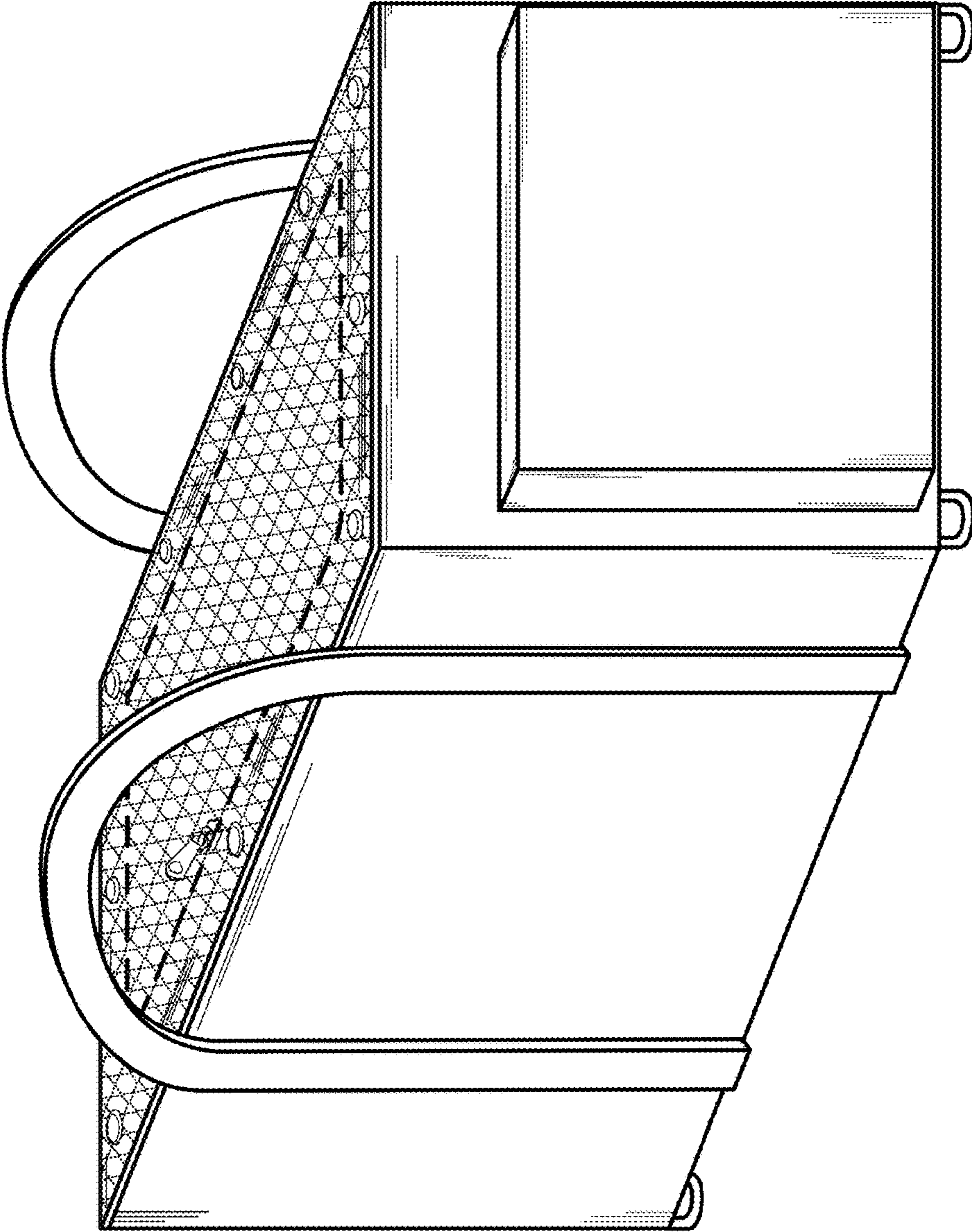


FIG. 1

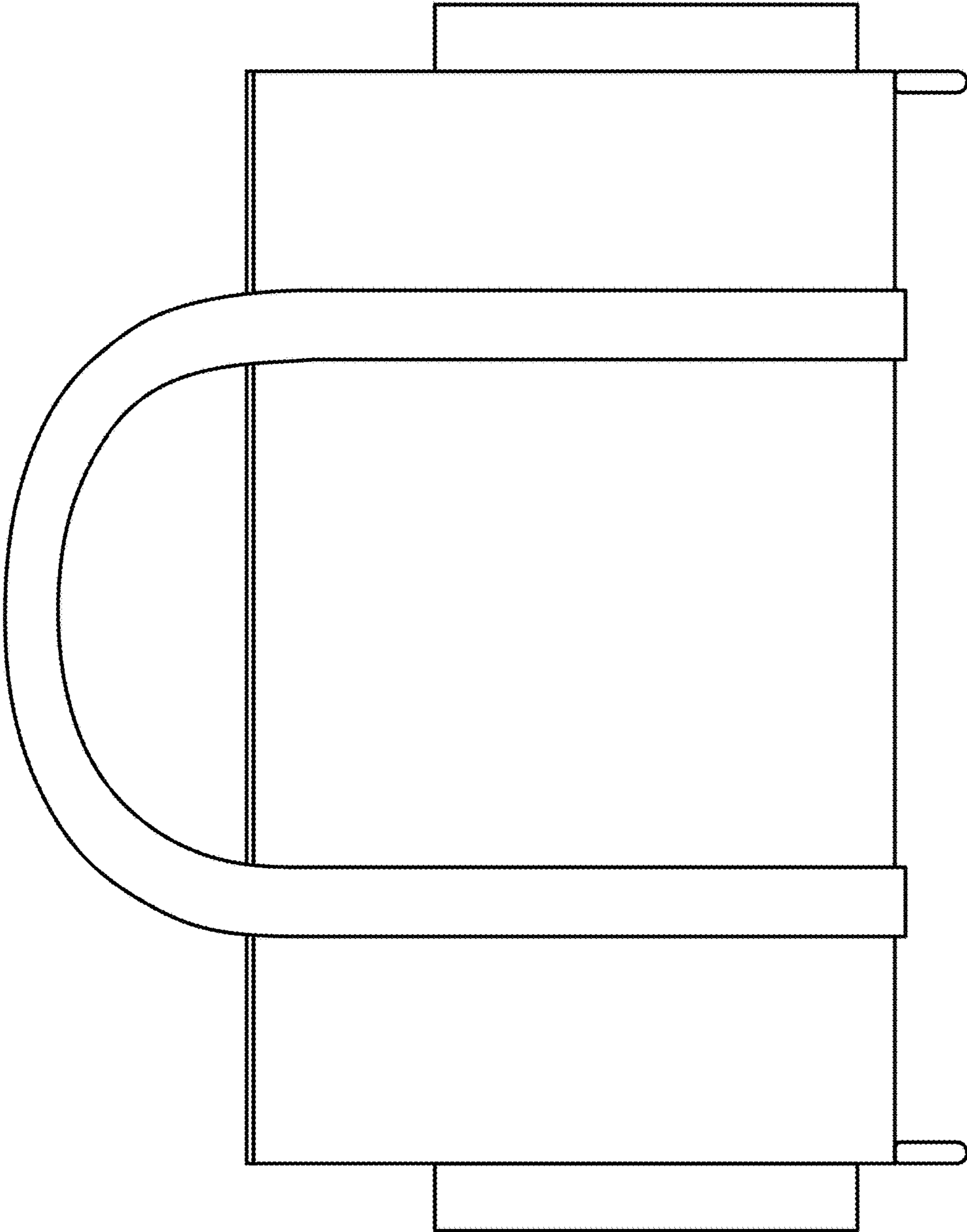


FIG. 2

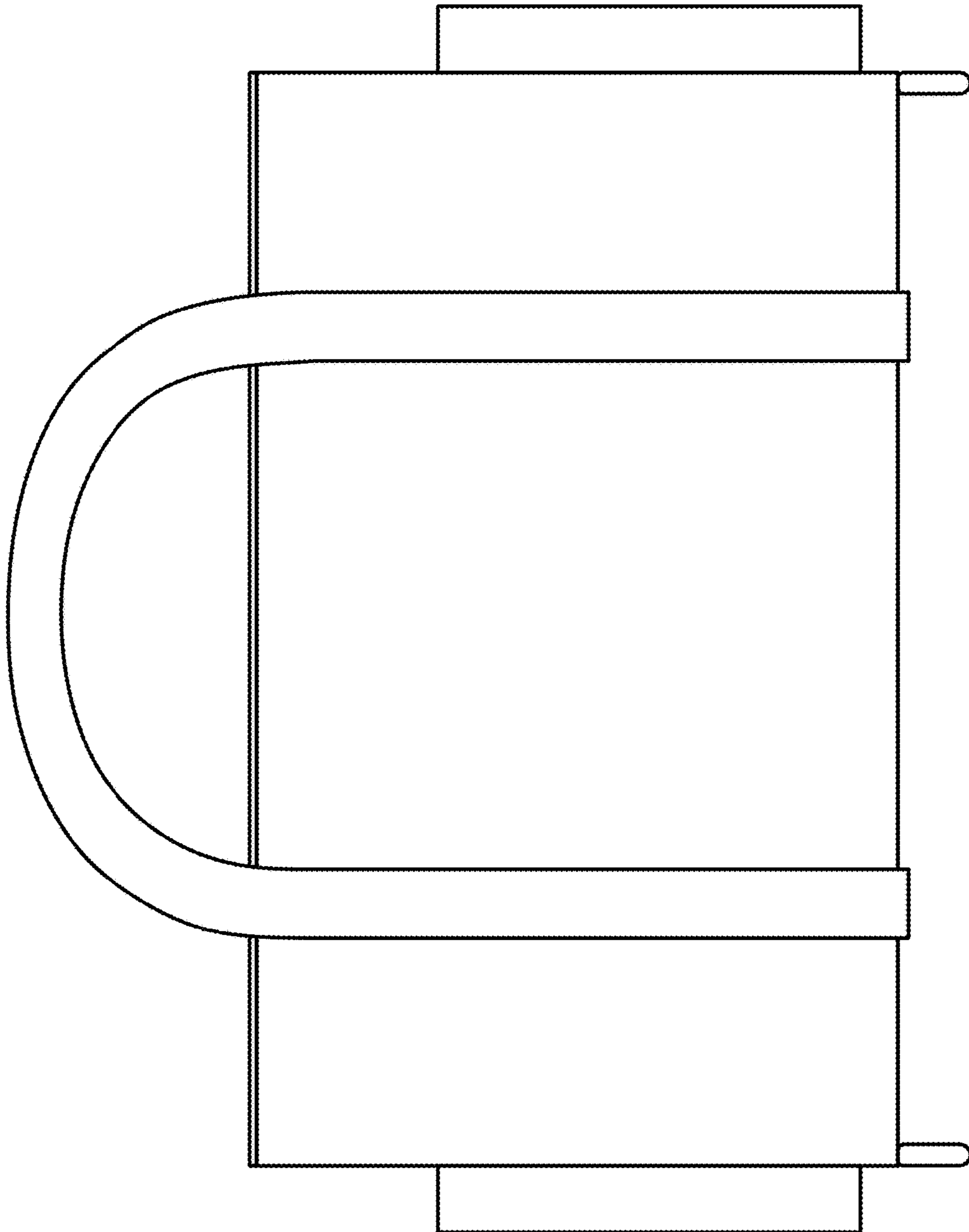


FIG. 3

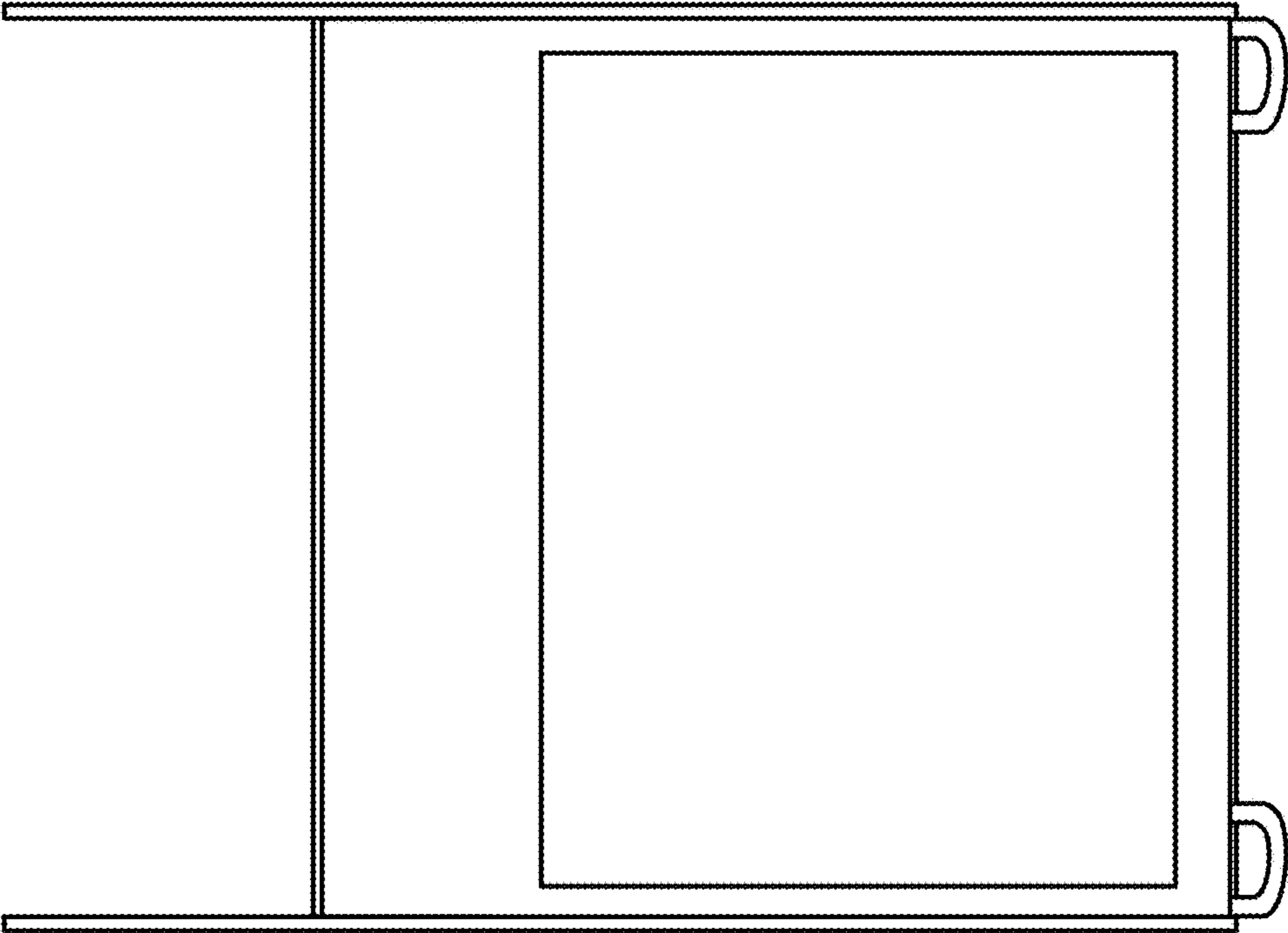


FIG. 4

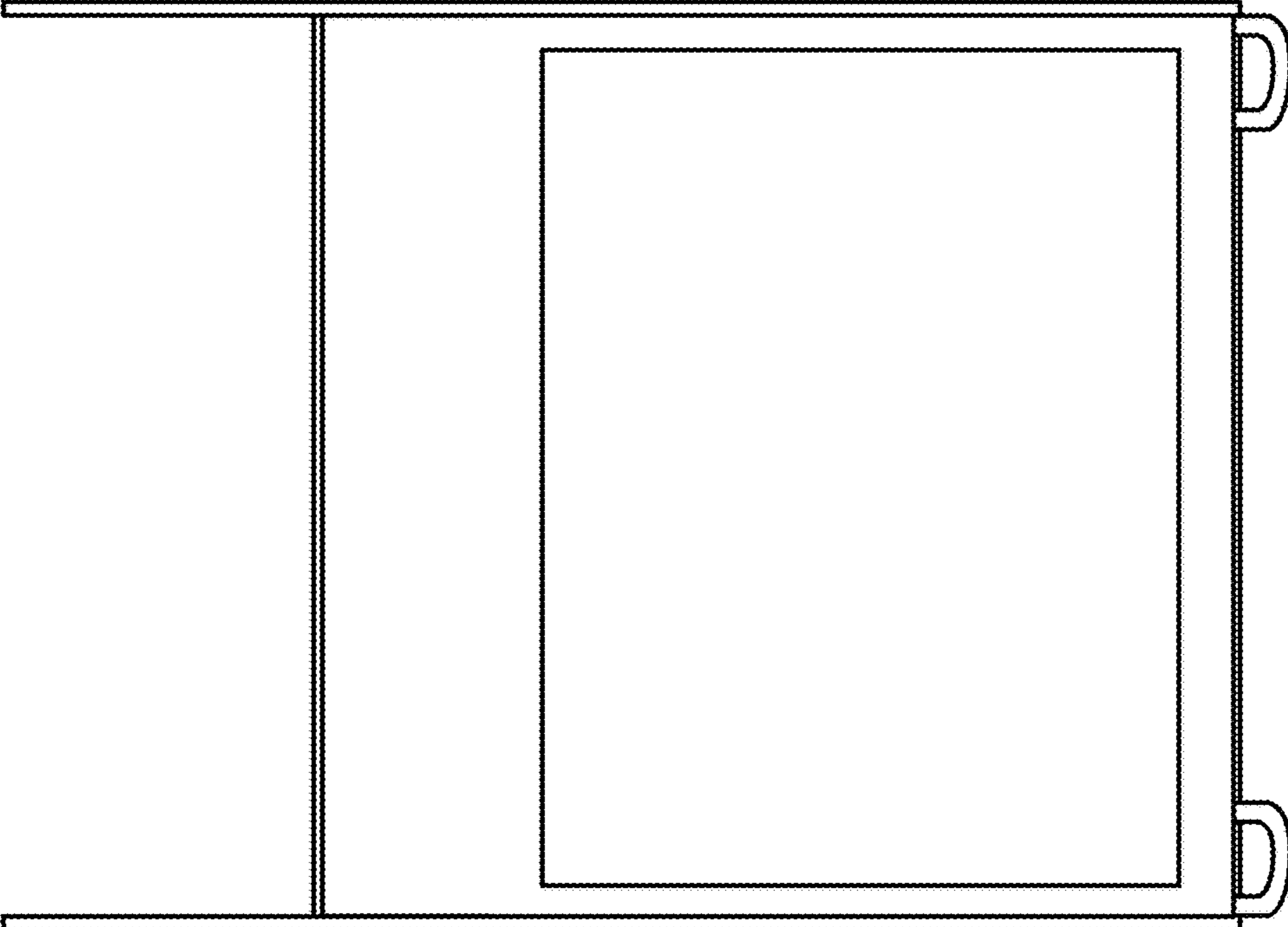


FIG. 5

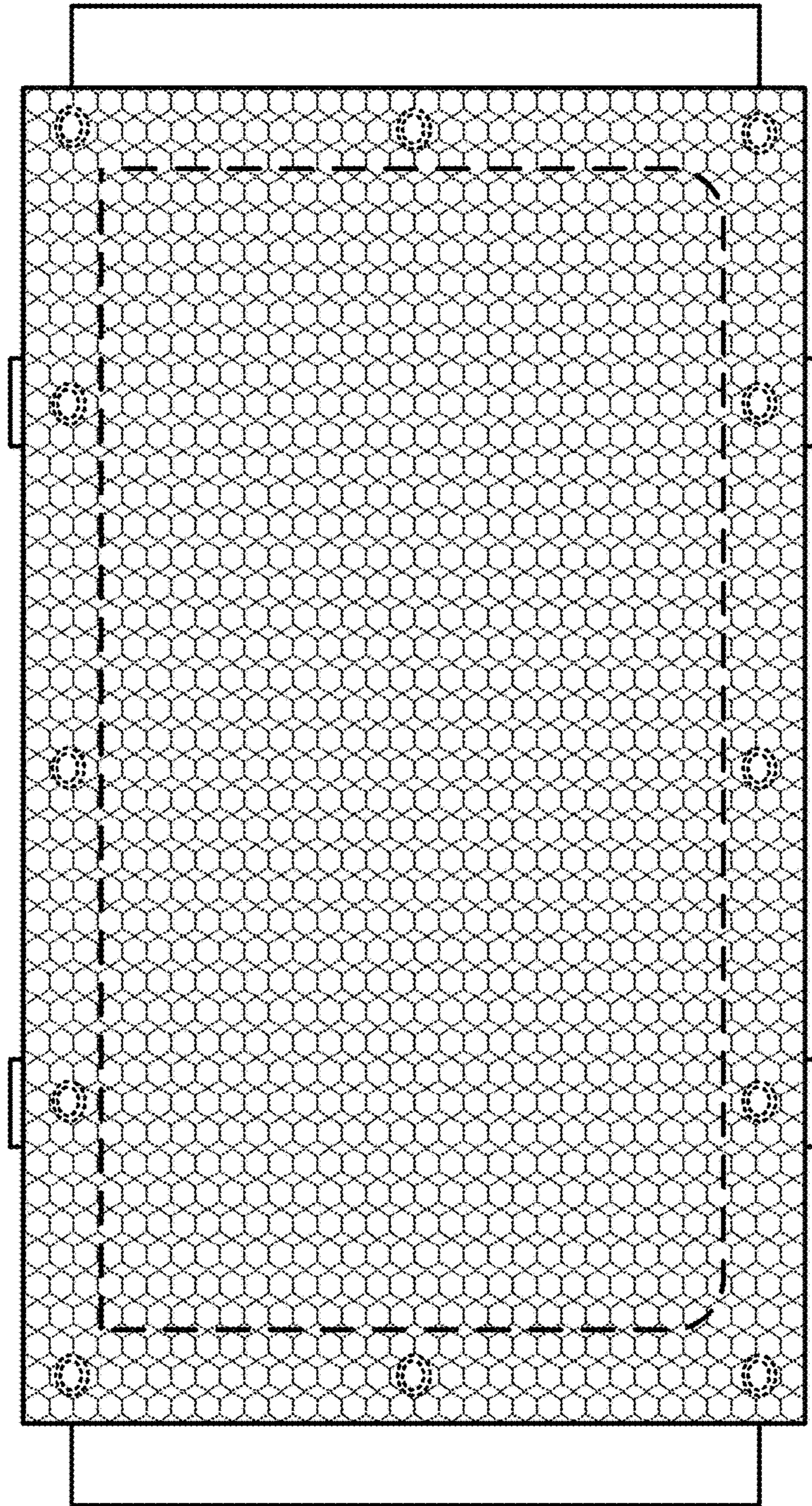


FIG. 6

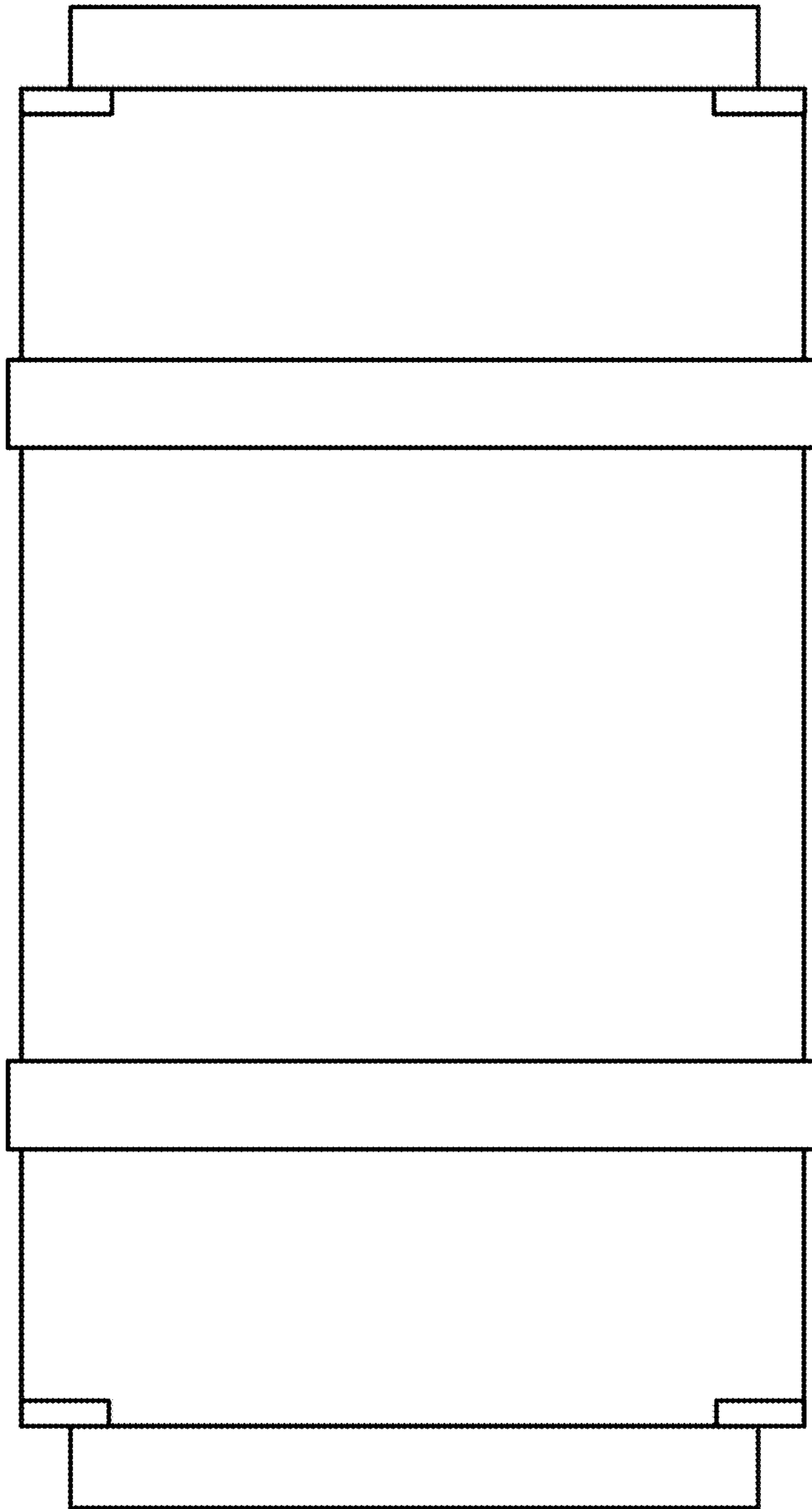


FIG. 7