



US00D845135S

(12) **United States Design Patent** (10) **Patent No.:** **US D845,135 S**
Spang, Jr. et al. (45) **Date of Patent:** **** Apr. 9, 2019**

(54) **BOTTLE NECK WITH CAP**
(71) Applicant: **S. C. Johnson & Son, Inc.**, Racine, WI (US)

4,408,702 A 10/1983 Horvath
4,437,587 A 3/1984 Duering
D279,267 S 6/1985 Morris
(Continued)

(72) Inventors: **Ronald H. Spang, Jr.**, Kenosha, WI (US); **Meghan Marie McGuire**, Milwaukee, WI (US); **Corey A. Cote**, Milwaukee, WI (US); **Lauren M. Mastroeni**, Oak Creek, WI (US)

FOREIGN PATENT DOCUMENTS

AT 2260/1997-0001 8/1997
AT 4690/1998-0001 1/1999
(Continued)

(73) Assignee: **S. C. Johnson & Son, Inc.**, Racine, WI (US)

OTHER PUBLICATIONS

Clorox Toilet Bowl Cleaner—Tough Stain Remover [online], [retrieved Jun. 14, 2018], Retrieved from Internet <URL: <https://www.clorox.com/products/clorox-toilet-bowl-cleaner-tough-stain-remover/#unscented>>; 4 color sheets, Date unknown but as early as Jun. 14, 2018.

(**) Term: **15 Years**

(Continued)

(21) Appl. No.: **29/595,098**

(22) Filed: **Feb. 24, 2017**

Primary Examiner — Ian Simmons
Assistant Examiner — Keith Frank

(51) **LOC (11) Cl.** **09-01**

(52) **U.S. Cl.**
USPC **D9/526; D9/543**

(57) **CLAIM**

(58) **Field of Classification Search**
USPC D9/516, 522, 523, 528, 530, 543, 560,
D9/563, 565, 571, 572, 575, 715, 719;
D3/202; D23/211, 211.1
CPC B65D 47/06; B65D 83/28; B65D 83/68;
B65D 11/04; B65D 11/10; B65D 25/42;
B65D 2501/0081

The ornamental design for a bottle neck with cap, as shown and described.

DESCRIPTION

See application file for complete search history.

FIG. 1 is a front perspective view of a bottle neck with cap showing our new design;
FIG. 2 is a front view thereof;
FIG. 3 is a rear view thereof;
FIG. 4 is a side view thereof;
FIG. 5 is an opposite side view thereof;
FIG. 6 is a top view thereof; and,
FIG. 7 is a bottom view thereof.

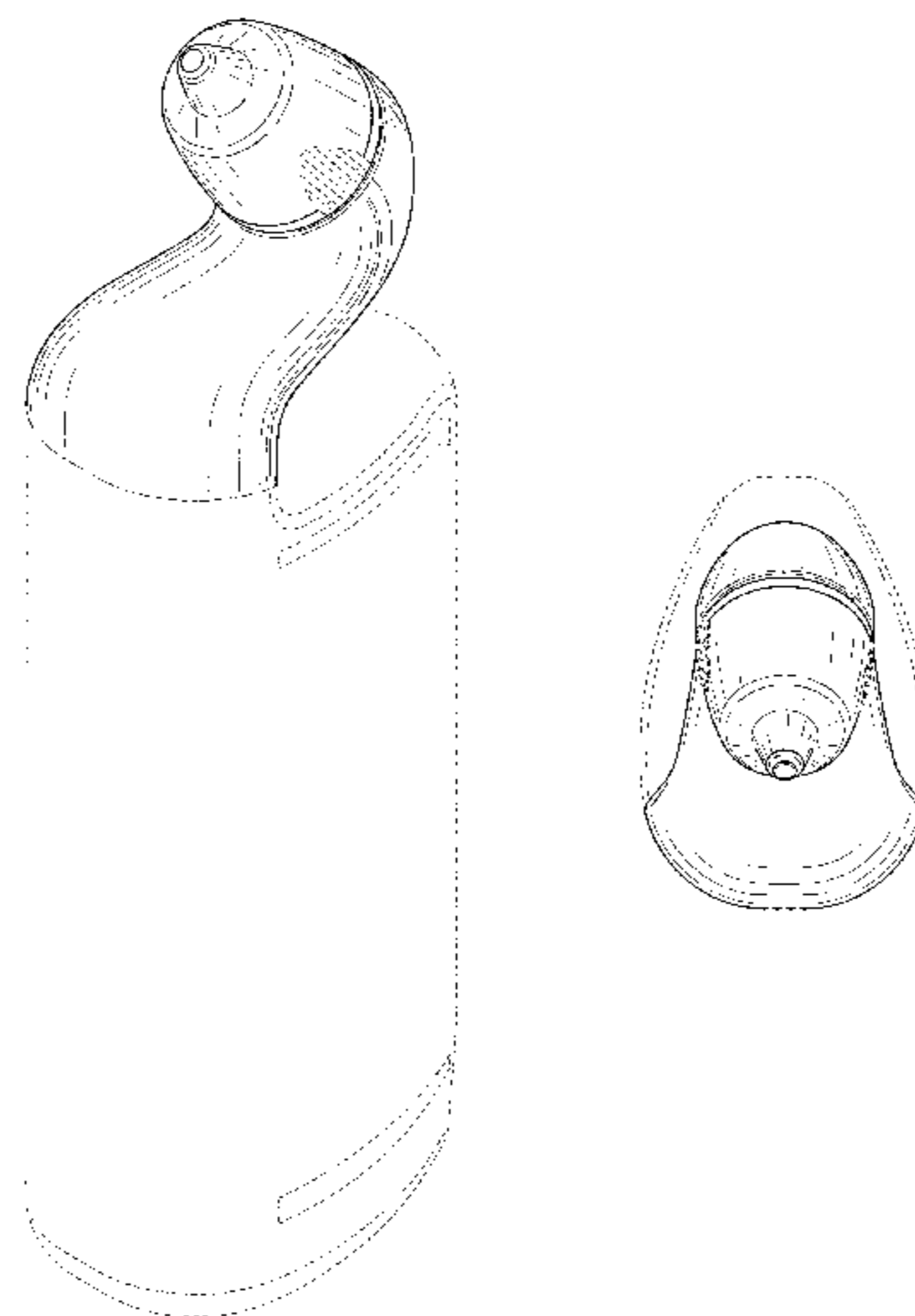
The even-length broken lines immediately adjacent to the shaded area define the bounds of the claimed design and form no part thereof. The uneven-length broken lines showing the remainder of the bottle neck with cap represent unclaimed subject matter and form no part of the claimed design.

(56) **References Cited**

U.S. PATENT DOCUMENTS

3,666,182 A 5/1972 Cureton
3,884,392 A 5/1975 Hazard
3,993,208 A 11/1976 Ostrowsky
4,002,275 A 1/1977 Crowle et al.
4,022,351 A 5/1977 Wright
4,310,105 A 1/1982 Gach
D270,518 S * 9/1983 Duering D9/526
D270,521 S 9/1983 Morris

1 Claim, 4 Drawing Sheets



(56)

References Cited

U.S. PATENT DOCUMENTS

4,600,128 A 7/1986 Rohrer
 4,653,676 A 3/1987 Stull
 4,705,181 A 11/1987 Burke et al.
 4,756,451 A 7/1988 Wilson
 4,775,078 A 10/1988 Schick et al.
 4,846,599 A 7/1989 Seddon
 D307,546 S * 5/1990 Lyons D9/526
 D307,714 S 5/1990 Rosenberg
 4,925,063 A 5/1990 Ali et al.
 D310,026 S * 8/1990 Verebelyi D9/520
 D310,960 S * 10/1990 Verebelyi D9/526
 D311,861 S * 11/1990 Vanhoutte D9/526
 4,967,941 A 11/1990 Beck
 5,025,957 A 6/1991 Ranalletta et al.
 D319,782 S 9/1991 Reif
 D331,195 S 11/1992 Weckman
 5,190,176 A 3/1993 Lavange
 5,229,084 A 7/1993 Livingston et al.
 5,238,153 A 8/1993 Castillo et al.
 5,261,567 A 11/1993 Krall
 5,269,445 A 12/1993 Tobler
 5,271,524 A 12/1993 Marston
 D350,484 S * 9/1994 Addis D9/526
 D355,853 S * 2/1995 Schmitt D9/446
 5,390,805 A 2/1995 Bilani et al.
 5,503,284 A * 4/1996 Li B65D 1/023
 215/383
 D378,573 S * 3/1997 Sherman D9/526
 D392,567 S 3/1998 Dumont et al.
 5,743,444 A 4/1998 Beck et al.
 D401,504 S 11/1998 Bolliger et al.
 5,836,466 A 11/1998 Briere et al.
 D402,553 S 12/1998 Webster et al.
 D404,650 S 1/1999 Hefter et al.
 D406,530 S * 3/1999 Bodker D9/526
 5,884,787 A 3/1999 Quintard et al.
 D409,495 S 5/1999 Hartman et al.
 5,915,576 A 6/1999 Robinson
 5,927,566 A 7/1999 Mueller
 D413,808 S 9/1999 Bolliger et al.
 D420,918 S 2/2000 Hefter et al.
 6,024,256 A 2/2000 Beck et al.
 6,036,036 A 3/2000 Bilani et al.
 D423,362 S 4/2000 Di Bartolo et al.
 6,065,648 A 5/2000 Tauber
 6,112,921 A 9/2000 Robinson
 6,119,894 A 9/2000 Hassan
 D432,021 S 10/2000 Caughey et al.
 6,135,318 A 10/2000 Valley
 D434,327 S 11/2000 Di Bartolo et al.
 6,315,165 B1 11/2001 Regan
 6,334,555 B1 1/2002 Randall et al.
 6,338,425 B1 1/2002 Berge et al.
 D470,051 S 2/2003 Bloom et al.
 6,543,650 B1 4/2003 Sprick et al.
 D476,232 S 6/2003 Maus et al.
 6,609,637 B1 8/2003 Suffa
 6,691,328 B2 2/2004 Delfino
 6,698,605 B2 3/2004 Clodfelter et al.
 6,715,697 B2 4/2004 Duqueroie
 6,745,919 B2 6/2004 Moros et al.
 6,766,922 B2 7/2004 da Silva
 D501,142 S * 1/2005 Pattison D9/526
 D514,451 S 2/2006 Weltgen et al.
 7,100,785 B1 9/2006 Suffa
 7,128,244 B2 10/2006 Antal, Sr.
 D539,668 S 4/2007 Muhlhausen et al.
 D550,093 S 9/2007 Suxdorf
 D552,472 S 10/2007 Dobson et al.
 D552,475 S * 10/2007 Muhlhausen D9/454
 D553,501 S * 10/2007 Arnett D9/526
 D553,990 S * 10/2007 Muhlhausen D9/447
 D554,511 S * 11/2007 Muhlhausen D9/454
 D556,045 S 11/2007 Kamath et al.
 D556,583 S 12/2007 Gurst et al.

7,306,121 B2 12/2007 Ophardt et al.
 7,307,052 B2 12/2007 Murthy et al.
 D561,592 S * 2/2008 Muhlhausen D9/526
 7,334,694 B2 2/2008 Suffa
 D578,893 S 10/2008 Rosinski et al.
 D579,779 S * 11/2008 Rosi ski D9/526
 D581,283 S 11/2008 Lobo
 7,448,556 B2 11/2008 Muehlhausen et al.
 D585,285 S * 1/2009 Rosinski D9/443
 D585,286 S * 1/2009 Rosinski D9/526
 D585,287 S * 1/2009 Rosinski D9/526
 7,552,832 B2 6/2009 Suffa
 D598,294 S 8/2009 Van Diepen
 7,637,402 B2 12/2009 Romanov et al.
 D608,645 S 1/2010 Handy et al.
 7,641,064 B2 1/2010 Robinson
 7,648,051 B1 1/2010 Montgomery et al.
 7,694,835 B1 4/2010 Montgomery
 D622,595 S * 8/2010 Rousselet D9/526
 7,815,062 B2 10/2010 Suffa
 D627,639 S 11/2010 Ziegler et al.
 7,828,166 B1 11/2010 Sprick
 7,878,373 B2 2/2011 Lindmayer
 D641,625 S 7/2011 Kaplan et al.
 7,988,004 B1 8/2011 Marret et al.
 8,007,478 B2 8/2011 Lu
 8,033,433 B2 10/2011 Gibson et al.
 8,123,057 B2 2/2012 Kunz et al.
 8,123,058 B2 2/2012 Brozell et al.
 8,245,880 B1 8/2012 Bragg et al.
 D668,542 S 10/2012 Thurin et al.
 D678,071 S 3/2013 Handy
 8,469,241 B2 6/2013 Romanov et al.
 8,511,492 B2 8/2013 Webster et al.
 8,517,228 B2 8/2013 Attie et al.
 D693,691 S 11/2013 Nachtsheim et al.
 8,727,244 B2 5/2014 Bernstein et al.
 D739,247 S * 9/2015 McDonnell D9/526
 D739,748 S * 9/2015 Van Wetten D9/449
 D746,693 S 1/2016 Davis
 D751,901 S 3/2016 Nottingham Colosimo et al.
 D758,882 S 6/2016 Bruining
 9,371,165 B2 6/2016 Brannon et al.
 D763,078 S 8/2016 Roy
 D790,970 S * 7/2017 Bos D9/526
 D790,971 S * 7/2017 Bos D9/526
 2006/0076370 A1 4/2006 Etesse
 2007/0000945 A1 1/2007 Geberzahn et al.
 2007/0029344 A1 2/2007 Schymitzek et al.
 2008/0314935 A1 12/2008 Spargo
 2010/0108724 A1 5/2010 Buchalter
 2010/0187195 A1 7/2010 Jamieson et al.
 2010/0320168 A1 12/2010 Bull
 2011/0284595 A1 11/2011 Jamieson et al.
 2012/0312895 A1 12/2012 Thurin et al.
 2013/0175273 A1 7/2013 Fox
 2014/0014611 A1 1/2014 Buehler et al.
 2014/0284299 A1 9/2014 Barber et al.
 2014/0311484 A1 10/2014 Duignan et al.
 2015/0132042 A1 5/2015 Chu
 2016/0167838 A1 6/2016 Dong et al.
 2016/0257461 A1 9/2016 Chehadeh

FOREIGN PATENT DOCUMENTS

AT 571/2008-0001 1/2009
 AT 572/2008-0001 1/2009
 AT 573/2008-0001 1/2009
 BX 28687-002 1/1998
 BX 29008 4/1998
 CA 62905 4/1989
 CA 69502 5/1991
 CA 73571 12/1993
 CA 74218 5/1994
 CA 75803 2/1995
 CA 76890 7/1995
 CA 80349 4/1997
 CA 81092 6/1997
 CA 83075 2/1998

(56) References Cited					
FOREIGN PATENT DOCUMENTS					
CA	83902	5/1998	EM	000136718-0004	5/2004
CA	84849	10/1998	EM	000136718-0005	5/2004
CA	85385	12/1998	EM	000136718-0006	5/2004
CA	85941	2/1999	EM	000136718-0007	5/2004
CA	85943	2/1999	EM	000136718-0008	5/2004
CA	85944	2/1999	EM	000136718-0010	5/2004
CA	85945	2/1999	EM	000136718-0011	5/2004
CA	85948	2/1999	EM	000136718-0012	5/2004
CA	85949	2/1999	EM	000136718-0014	5/2004
CA	86744	5/1999	EM	000136718-0018	5/2004
CA	90207	8/2000	EM	000161443-0002	6/2004
CA	91620	2/2001	EM	000342548-0001	7/2005
CA	99022	4/2003	EM	000349089-0001	7/2005
CA	102088	5/2004	EM	000360425-0001	8/2005
CA	103758	6/2004	EM	000360425-0002	8/2005
CA	111284	5/2006	EM	000453667-0001	2/2006
CA	118463	4/2007	EM	000453667-0002	2/2006
CA	118954	1/2008	EM	000453667-0003	2/2006
CA	118955	1/2008	EM	000484480-0001	1/2007
CA	119848	1/2008	EM	000511175-0001	1/2007
CA	121361	8/2008	EM	000526819-0001	2/2007
CA	126906	2/2009	EM	000526819-0002	2/2007
CA	126912	2/2009	EM	000526819-0003	2/2007
CA	126919	2/2009	EM	000652631-0001	2/2007
CA	128828	8/2009	EM	000652631-0002	2/2007
CA	128829	8/2009	EM	000652631-0003	2/2007
CA	128830	8/2009	EM	000610522-0001	4/2007
CA	134267	9/2010	EM	000647391-0001	4/2007
CA	138044	6/2011	EM	000647391-0002	4/2007
CA	132829	8/2011	EM	000710363-0001	5/2007
CA	144891	10/2012	EM	000710363-0002	5/2007
CA	158248	3/2015	EM	000605050-0001	6/2007
CA	158250	3/2015	EM	000605050-0002	6/2007
CA	158251	3/2015	EM	000605050-0003	6/2007
CA	160107	7/2015	EM	000727920-0001	6/2007
CA	160108	7/2015	EM	000727920-0003	6/2007
CN	3012861	3/1992	EM	000761358-0001	7/2007
CN	3015487	10/1992	EM	000426655-0001	1/2008
CN	3321900	9/2003	EM	000426655-0002	1/2008
CN	3369552	5/2004	EM	000426655-0003	1/2008
CN	3648400	5/2007	EM	000426671-0001	1/2008
CN	3648401	5/2007	EM	000426671-0002	1/2008
CN	3659188	6/2007	EM	000426671-0003	1/2008
CN	3664916	7/2007	EM	000426689-0001	1/2008
CN	300735153	1/2008	EM	000426689-0002	1/2008
CN	300915377	4/2009	EM	000426689-0003	1/2008
CN	301002536	9/2009	EM	000426697-0001	1/2008
CN	301019156	9/2009	EM	000426697-0002	1/2008
CN	301019157	9/2009	EM	000426697-0003	1/2008
CN	301019158	9/2009	EM	000834098-0001	1/2008
CN	301026587	9/2009	EM	000834098-0002	1/2008
CN	301026588	9/2009	EM	000792478-0001	7/2008
CN	301071355	12/2009	EM	000792478-0002	7/2008
CN	301116338	1/2010	EM	000792486-0001	7/2008
CN	301116339	1/2010	EM	000792502-0001	7/2008
CN	301175552	4/2010	EM	000792502-0002	7/2008
CN	301185009	5/2010	EM	000792528-0001	7/2008
CN	301416070	12/2010	EM	000792528-0002	7/2008
CN	302287729	1/2013	EM	000792544-0001	7/2008
CN	302452393	6/2013	EM	000792544-0002	7/2008
CN	302693043	12/2013	EM	000792544-0003	7/2008
DE	M9705778-0003	1/1998	EM	000792569-0001	7/2008
DE	M9705778-0004	1/1998	EM	000965207-0004	7/2008
DE	M9705778-0007	1/1998	EM	000965207-0005	7/2008
DE	19740686 A1	3/1999	EM	000965207-0006	7/2008
DE	19905449	8/2000	EM	000934039-0001	10/2008
DE	40202854-0001	7/2002	EM	000581095-0001	2/2009
DE	40301213-0001	5/2003	EM	000694104-0002	5/2009
DK	MR198900533-0001	8/1989	EM	000747498-0002	5/2009
DK	MR199001444-0001	11/1990	EM	001049910-0002	11/2009
DK	MR199200844-0001	11/1992	EM	001049910-0003	11/2009
DK	MR199200908-0001	11/1992	EM	001049910-0004	11/2009
DK	MR199900780-0001	9/1999	EM	001049910-0005	11/2009
DK	MR199900781-0001	9/1999	EM	001134357-0001	6/2011
EM	000062245-0006	11/2003	EM	001134357-0002	6/2011
			EM	001920570-0001	9/2011
			EM	001683343-0001	1/2012
			EM	001683343-0002	1/2012
			EM	001683343-0003	1/2012

(56)

References Cited

FOREIGN PATENT DOCUMENTS			GB	3010531	1/2004
EM	002007419-0001	5/2012	GB	4001540	11/2007
EM	002007419-0002	5/2012	GB	4006044	9/2008
EM	002009951-0001	2/2013	GB	4006045	9/2008
EM	002009951-0003	2/2013	GB	4006046	9/2008
EM	002047282-0001	2/2013	GB	4009729	12/2008
EM	001405344-0001	1/2015	GB	4009730	12/2008
EM	001405344-0002	1/2015	IE	20374-0001	9/2003
EM	001405344-0004	1/2015	IE	21112-0001	8/2008
EM	002495135-0001	4/2015	IE	21113-0001	8/2008
EM	002495135-0002	4/2015	IE	21118-0001	8/2008
EM	002444331-0001	10/2015	IL	30064	6/2000
EM	002444331-0002	10/2015	IL	30658	11/2000
EM	002745729-0001	6/2016	IL	30666	11/2000
EM	002745729-0002	6/2016	IL	38238	7/2005
EM	002745729-0003	6/2016	IN	211418-0001	6/2009
EM	002750687-0001	6/2016	IN	208769-0001	7/2009
EM	002750687-0002	6/2016	IN	204082-0001	9/2009
EM	002750687-0003	6/2016	IN	216999-0001	11/2009
EM	003122761-0003	6/2016	IN	217000-0001	11/2009
EM	002441477-0004	7/2016	IN	217001-0001	11/2009
EM	002441477-0005	7/2016	IN	220133-0001	7/2010
EM	002441477-0006	7/2016	IN	220136-0001	7/2010
EP	0343778	11/1989	IN	220134-0001	8/2010
EP	0591601	6/1996	IN	220135-0001	9/2010
EP	0753355	1/1997	IN	202432-0001	2/2012
EP	1383688 A1	1/2004	IN	202433-0001	2/2012
ES	10144083	3/1999	IN	247930-0001	5/2013
ES	I0150302	11/2001	IN	247928-0001	6/2013
ES	I0153777	12/2002	IN	249535-0001	8/2013
ES	I0156251	6/2003	IN	256326-0001	5/2014
FI	11324-0001	3/1988	IN	266480-0001	3/2015
FI	11325-0001	3/1988	IN	268228-0001	7/2015
FI	20624-0001	8/1999	IN	279807-0001	7/2016
FI	20625-0001	8/1999	JP	D1054192	8/2000
FR	030946-001	7/2003	JP	D1167172	3/2003
GB	1009827	4/1983	JP	D1189117	11/2003
GB	1038566	6/1987	JP	D1217855	9/2004
GB	1038567	6/1987	JP	D1318069	12/2007
GB	1041231	2/1988	JP	D1348249	1/2009
GB	1043293	3/1988	JP	D1348510	1/2009
GB	1041319	4/1988	JP	D1348511	1/2009
GB	1048930	9/1988	JP	D1449807	8/2012
GB	1057823	10/1989	JP	D1522176	4/2015
GB	2000867	3/1990	MX	006701-0001	12/1994
GB	2008141	11/1990	MX	012219-0001	11/2001
GB	2007430	6/1991	MX	015166-0001	11/2003
GB	2015082	8/1991	MX	015828-0001	4/2004
GB	2017580	3/1992	MX	017177-0001	3/2005
GB	2022791	10/1992	MX	019384-0001	2/2006
GB	2024740	11/1992	MX	027665-0001	5/2009
GB	2049198	12/1995	NO	19890801-0001	6/1990
GB	2053053	4/1996	NO	19980807-0001	6/1999
GB	2056885	9/1996	NO	19980808-0001	6/1999
GB	2056584	2/1997	PL	06073-0001	11/2004
GB	2056585	2/1997	PT	19724-0001	1/1989
GB	2066723	10/1997	PT	19725-0001	1/1989
GB	2061993	12/1997	PT	19864-0001	5/1989
GB	2074654	3/1999	PT	27980-0003	2/1998
GB	2074655	3/1999	PT	27980-0004	2/1998
GB	2080723	5/1999	PT	27980-0008	2/1998
GB	2080724	5/1999	PT	28749-0001	10/1999
GB	2077975	11/1999	PT	28749-0002	10/1999
GB	2077976	11/1999	PT	30103-0001	7/2001
GB	2084450	2/2000	RU	00046972	3/2000
GB	2088222	3/2000	RU	00046973	3/2000
GB	2097204	12/2000	RU	00049385	10/2001
GB	2094282	5/2001	RU	00055824	12/2004
GB	2100979	6/2001	RU	00068273	11/2008
GB	2100519	1/2002	RU	00072023	9/2009
GB	2101743	1/2002	RU	00072024	9/2009
GB	2105227	9/2002	RU	00072025	9/2009
GB	3007303	10/2002	RU	411753	7/2010
GB	3009693	1/2003	RU	D0094844	8/2015
GB	3006234	6/2003	RU	D0096539	12/2015
GB	3012861	6/2003	RU	00100968	12/2016
			RU	00101098	12/2016
			RU	00101099	12/2016
			SE	65716-0001	11/2000

(56)

References Cited

FOREIGN PATENT DOCUMENTS

SE	65717-0001	11/2000
SI	9850109-0001	4/1999
SI	9850109-0002	4/1999
SI	200050092-0001	12/2000
SI	200050092-0002	12/2000
TR	201600421-0001	2/2016
TR	201600421-0002	2/2016
TR	201600421-0003	2/2016
TR	201607172-0016	11/2016
WO	D009359-001	11/1987
WO	D010634-001	5/1988
WO	D014507-001	11/1989
WO	D016002-001	4/1990
WO	9004546	5/1990
WO	D016071-001	5/1990
WO	D020727-001	11/1991
WO	D022761-001	6/1992
WO	D022981-001	8/1992
WO	D023445-001	9/1992
WO	606719	8/1993
WO	9325441	12/1993
WO	D035529-001	4/1996
WO	D035529-002	4/1996
WO	D035529-003	4/1996
WO	D035529-004	4/1996
WO	D035529-005	4/1996
WO	D035529-006	4/1996
WO	9626124	8/1996
WO	D037846-001	12/1996
WO	D038105-001	1/1997
WO	D038106-001	1/1997
WO	D054387-001	2/2001
WO	D062377-001	2/2003
WO	D062377-003	2/2003
WO	D062377-004	2/2003
WO	D064037-001	7/2003
WO	D065332-003	6/2004
WO	05058710	6/2005
WO	D067252-001	6/2006
WO	D067252-002	6/2006
WO	D067633-001	9/2006
WO	D067633-002	9/2006
WO	D067633-003	9/2006
WO	D067665-001	10/2006
WO	D067665-002	10/2006
WO	07017036	2/2007
WO	D067950-001	3/2007
WO	D068346-001	4/2007
WO	D068346-002	4/2007
WO	D068601-001	7/2007
WO	D068553-001	8/2007
WO	D070465-004	1/2009
WO	D070465-005	1/2009
WO	D070465-006	1/2009
WO	2009034303	3/2009
WO	2009034306	3/2009
WO	10004252	1/2010
WO	D073176-001	7/2010
WO	11042232	4/2011
WO	2012022475	2/2012
WO	2015097606	7/2015
WO	2016012749 A1	1/2016
WO	D092179-001	9/2016
WO	2016188588 A1	12/2016
WO	2016204732 A1	12/2016

OTHER PUBLICATIONS

Duck Toilet Liquid Marine [online], [retrieved Jun. 14, 2018], Retrieved from Internet <URL: <https://www.whatsinsidescjohnson.com/ie/en/brands/duck/duck-toilet-liquid-marine>>; 4 color sheets, Dated unknown but at least as early as Jun. 14, 2018.

Lemon Verbena Toilet Bowl Cleaner [online], [retrieved Jun. 14, 2018], Retrieved from Internet <URL: <https://www.mrmsmeyers.com/lemon-verbena-toilet-bowl-cleaner/gclid=COG5yub0ztsCFQvlswodEZ0Fdw&gclid=ds>>; 3 color sheets, Date unknown but at least as early as Jun. 14, 2018.

Bref 6x Effect Power Gel Anti-limescale [online], [retrieved Jun. 14, 2018], Retrieved from Internet <URL: <https://www.drogeria-vmd.com/bref-6-x-effect-power-gel-anti-limescale-wc-gel-proti-vodnimu-kameni-750-ml/>>; 2 color sheets, Date unknown but at least as early as Jun. 14, 2018.

Kaboom BowlBlaster Clean Scent Liquid Toilet Bowl Cleaner [online], [retrieved Jun. 14, 2018], Retrieved from Internet <URL: <http://www.acehardware.com/product/index.jsp?productId=53093176>>; 7 color sheets, Date unknown but at least as early as Jun. 14, 2018.

The Works Toilet Bowl Cleaner [online], [retrieved Jun. 14, 2018], Retrieved from Internet <URL: <https://www.walmart.com/ip/The-Works-Toilet-Bowl-Cleaner-1-qt/26077283>>; 5 color sheets, Dated Jun. 14, 2018.

WC Net Total Hygiene Gel Disinfectant [online], [retrieved Jun. 14, 2018], Retrieved from Internet <URL: <https://saveco.com/wc-net-total-hygiene-gel-disinfectant-750ml-2/>>; 1 color sheet, Date unknown but at least as early as Jun. 14, 2018.

Cillit Bang Power Toilet Cleaner [online], [retrieved Jun. 14, 2018], Retrieved from Internet <URL: <http://www.cillitbang.co.uk/products/bathroom/cillit-bang-power-toilet-cleaner-stain-terminator/>>; 3 color sheets, Date unknown but at least as early as Jun. 14, 2018.

Frosch Lemon WC /Toilet Bowl Cleaner [online], [retrieved Jun. 14, 2018], Retrieved from Internet <URL: <https://froschusa.com/collections/bathroom/products/toilet-bowl-cleaner-lemon-750-ml?variant=12305583276111>>; 2 color sheets, Date unknown but at least as early as Jun. 14, 2018.

Method Antibacterial Toilet Cleaner [online], [retrieved Jun. 14, 2018], Retrieved from Internet <URL: <https://methodhome.com/products/antibacterial-toilet-bowl-cleaner/>>; 3 color sheets, Date unknown but at least as early as Jun. 14, 2018.

Domestos Extend Power Bleach [online], [retrieved Jun. 14, 2018], Retrieved from Internet <URL: <http://www.domestos.co.uk/product/detail/849382/domestos-extended-power-bleach>>; 1 color sheet, Date unknown but at least as early as Jun. 14, 2018.

Bloo Flower Festival Toilet Cleaner [online], [retrieved Jun. 14, 2018], Retrieved from Internet <URL: <https://www.amazon.com/Flower-Festival-Toilet-Cleaner-750ml/dp/B00MYA6GQG>>; 3 color sheets, Date unknown but at least as early as Jun. 14, 2018.

Foreign Russian Office Action dated May 31, 2018 for RU Application No. 2017504128, 16 pages.

Foreign Russian Office Action dated May 31, 2018 for RU Application No. 2017504130, 16 pages.

Emballages, vol. 457, pp. 81, JPO's Prior Design Ref. No. HB01011324. Packagingweek, No. 43, vol. 5, pp. 8, JPO's Prior Design Ref. No. HB03002803.

Packaging News, No. 11, pp. 36, JPO's Prior Design Ref. No. HB21006952.

Foreign Russian Office Action dated Oct. 9, 2018 for RU Application No. 2017504128, 10 pages.

Foreign Russian Office Action dated Oct. 9, 2018 for RU Application No. 2017504130, 17 pages.

"Toilet Cleaner Toilet Duckling Super Power, Visable Effect—Review"; iRecommend; retrieved Oct. 18, 2018; published Jul. 24, 2015; URL: <<https://irecommend.ru/content/idealnaya-chistota-unitaza-eto-uzhe-ne-mechta-realnost>>.

"Toilet Cleaner Toilet Duckling 5 in 1 "Sea""; Otzovik; retrieved Oct. 15, 2018; published Feb. 18, 2012; URL: <http://otzovik.com/review_177434.html>.

"Toilet Cleaner Toilet Duckling 5 in 1 "Sea""; Otzovik; retrieved May 30, 2018; published May 12, 2014; URL: <http://otzovik.com/review_1032711.html>.

* cited by examiner

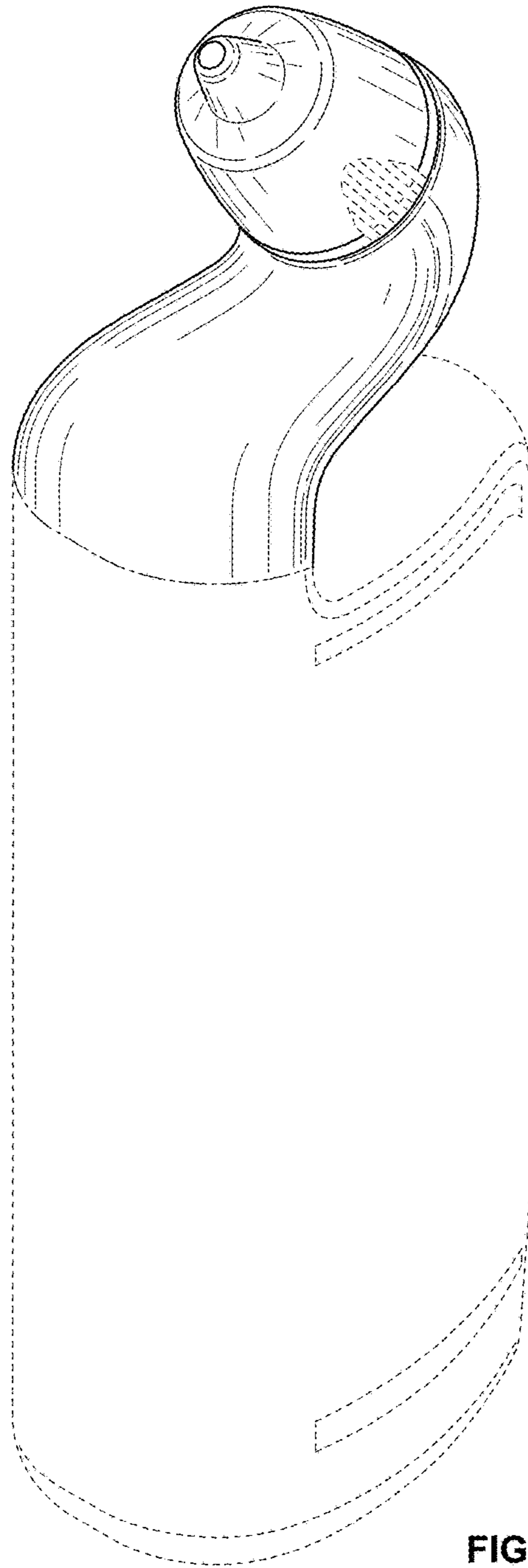


FIG. 1

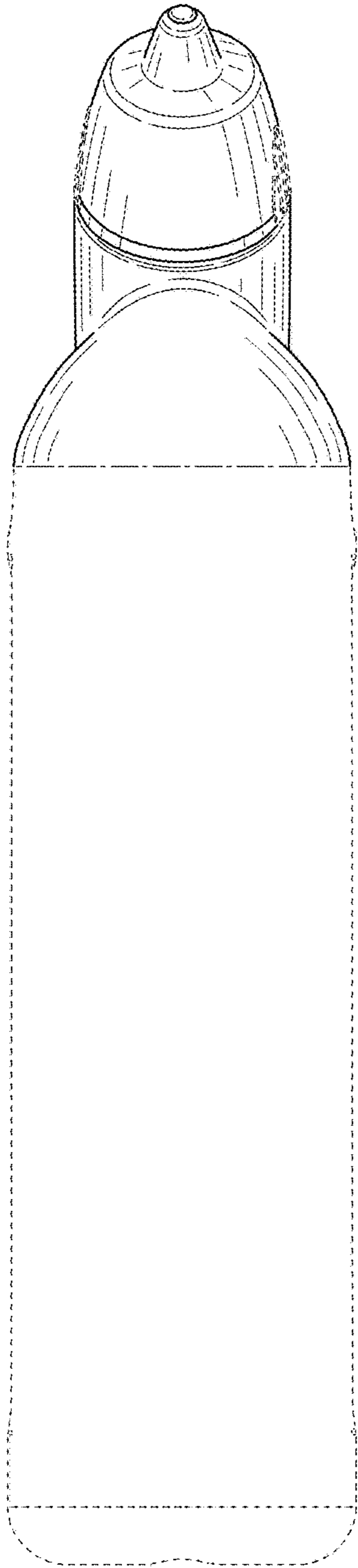


FIG. 2

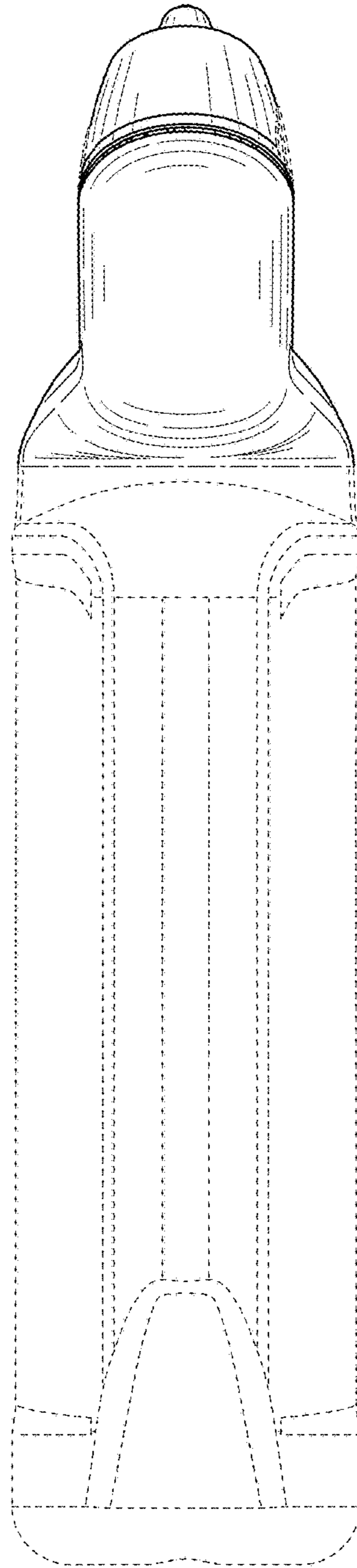


FIG. 3

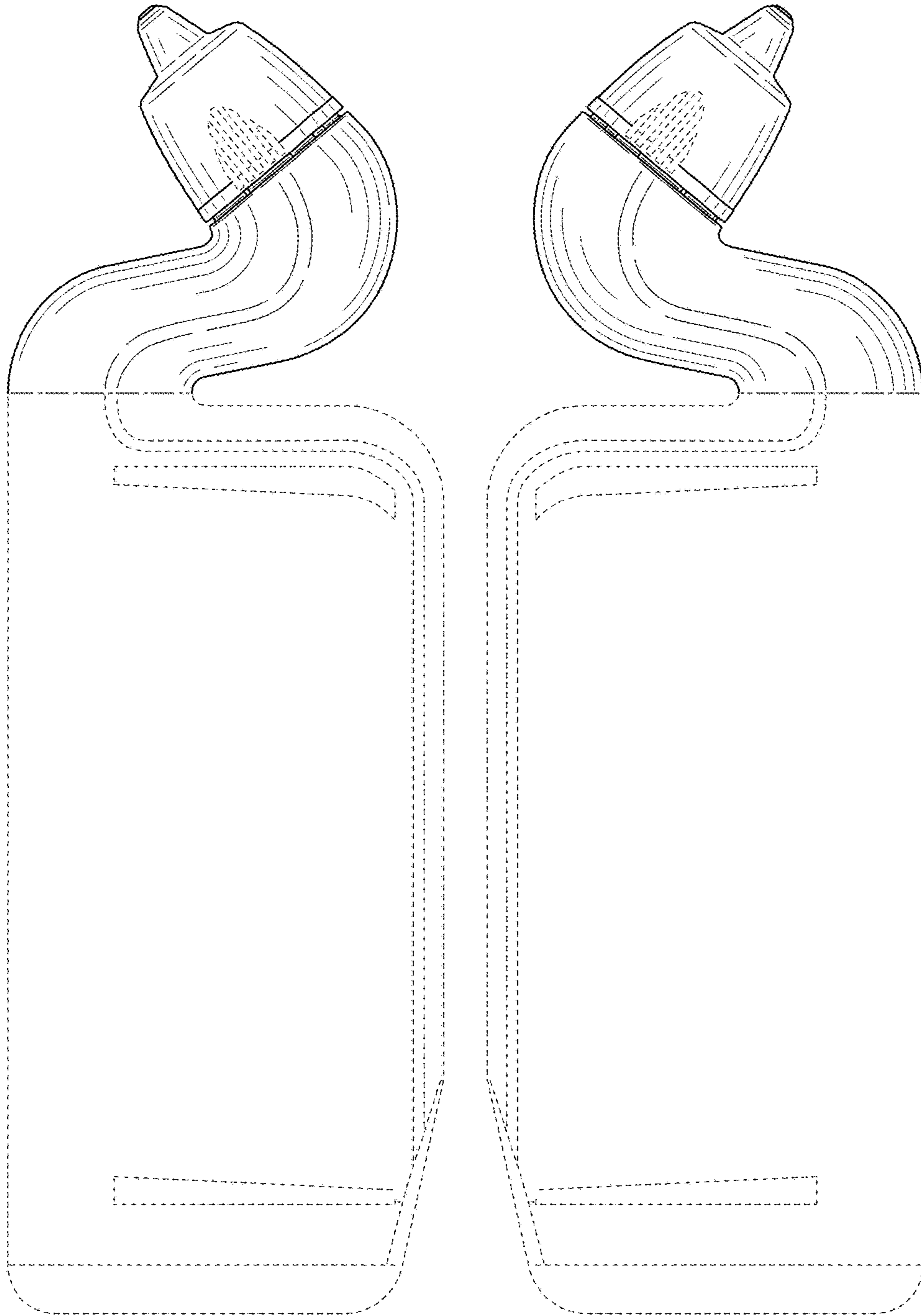


FIG. 4

FIG. 5

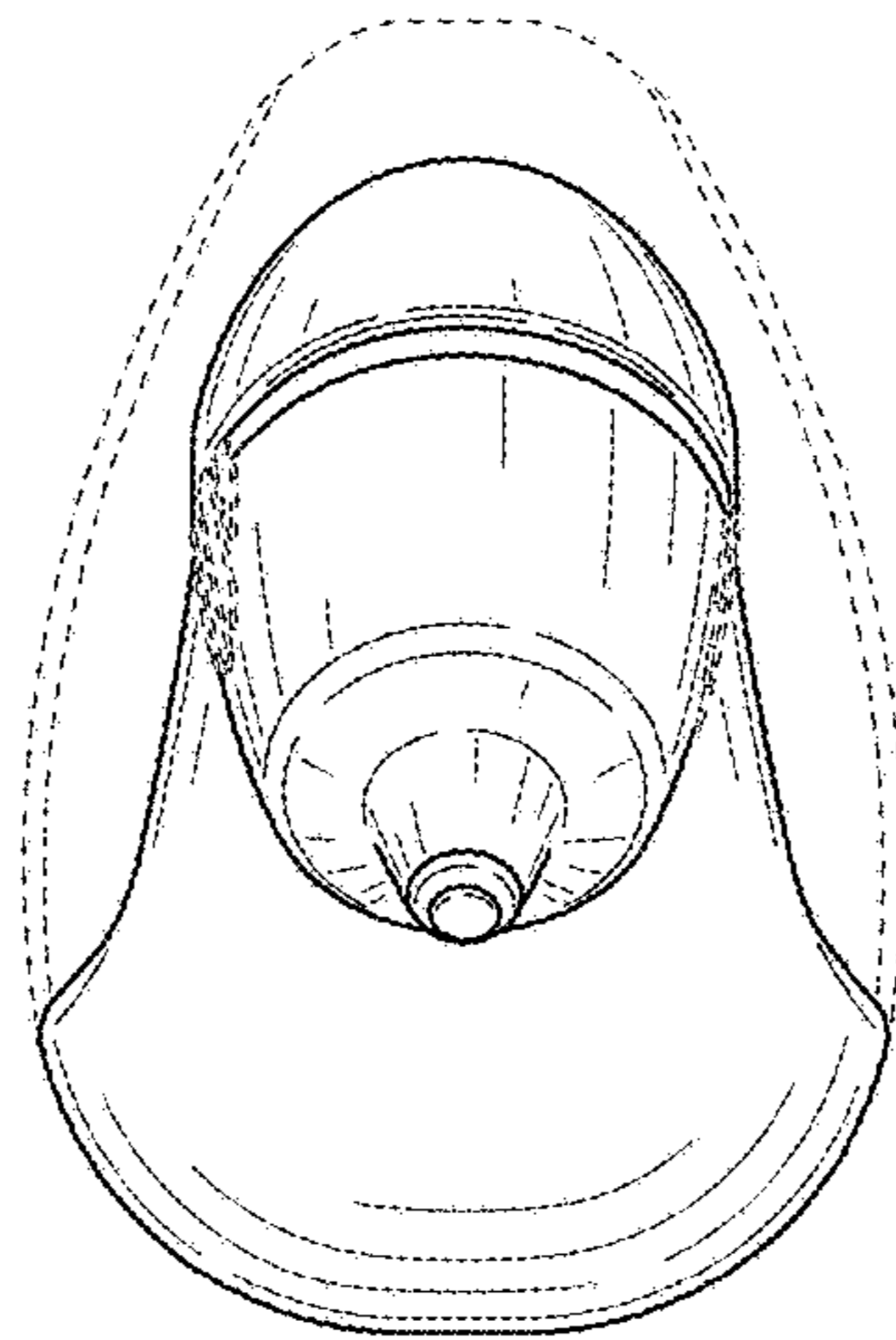


FIG. 6

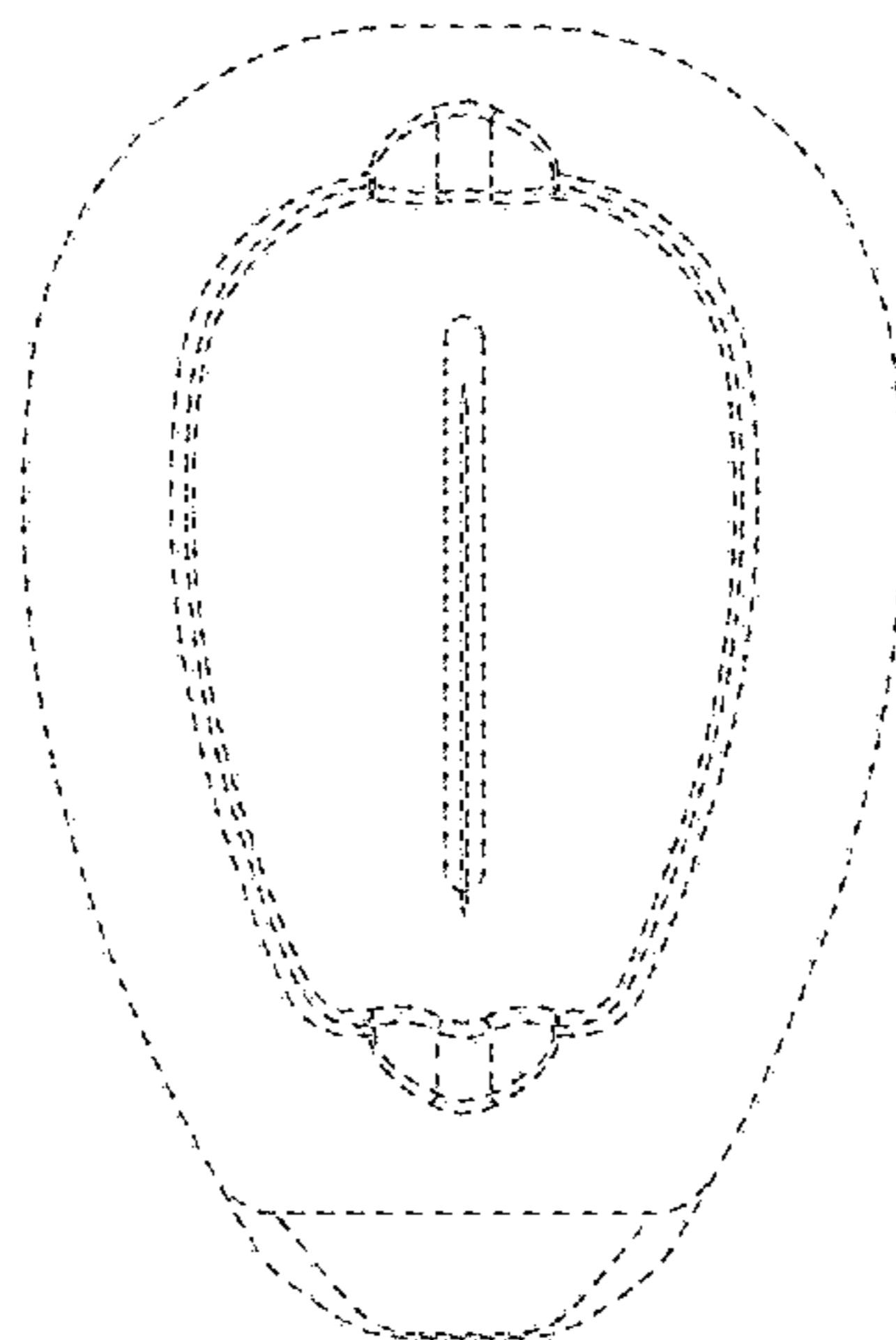


FIG. 7