



US00D845134S

(12) **United States Design Patent**  
**Palmer**

(10) **Patent No.:** **US D845,134 S**

(45) **Date of Patent:** **\*\* Apr. 9, 2019**

(54) **SPOUT**

(71) Applicant: **Consolidated Container Company LP,**  
Atlanta, GA (US)

(72) Inventor: **Joey Palmer,** Marietta, GA (US)

(73) Assignee: **Consolidated Container Company LP,**  
Atlanta, GA (US)

(\*\*) Term: **15 Years**

(21) Appl. No.: **29/617,384**

(22) Filed: **Sep. 13, 2017**

(51) **LOC (11) Cl.** ..... **09-01**

(52) **U.S. Cl.**  
USPC ..... **D9/516**

(58) **Field of Classification Search**  
USPC ..... D9/434, 436, 440, 445, 447, 449, 453,  
D9/454, 516, 528, 531, 540-543, 558,  
D9/715, 719  
CPC ..... B65D 1/023; B65D 41/0442  
See application file for complete search history.

(56) **References Cited**

**U.S. PATENT DOCUMENTS**

D488,381 S *	4/2004	Peronek	.....	D9/516
D488,721 S *	4/2004	Peronek	.....	D9/516
D494,068 S *	8/2004	Taylor	.....	D9/516
D538,662 S *	3/2007	Goetz	.....	D9/516
D560,118 S *	1/2008	Higgins	.....	D9/434
D568,753 S *	5/2008	Woolf	.....	D9/516
D587,118 S *	2/2009	Sadiq	.....	D9/516
D660,161 S *	5/2012	Braun	.....	D9/516
D678,072 S *	3/2013	Lobbestael	.....	D9/531
D690,599 S *	10/2013	Moore	.....	B65D 7/04
				D9/516
D691,048 S *	10/2013	Kanda	.....	D9/516
D696,953 S *	1/2014	Kanda	.....	D9/516
D719,026 S *	12/2014	Prero	.....	D9/516
D742,747 S *	11/2015	Lobbestael	.....	D9/531

D749,422 S *	2/2016	Janeczek	.....	D9/531
D780,584 S *	3/2017	Lang	.....	D9/516
D801,815 S *	11/2017	Mount, III	.....	D9/516

(Continued)

**OTHER PUBLICATIONS**

Canadian Intellectual Property Office, Examiner's Report for Application No. 176963, dated Mar. 21, 2018, 3 pages, Canada.

*Primary Examiner* — Ian Simmons

*Assistant Examiner* — Keith Frank

(74) *Attorney, Agent, or Firm* — Alston & Bird LLP

(57) **CLAIM**

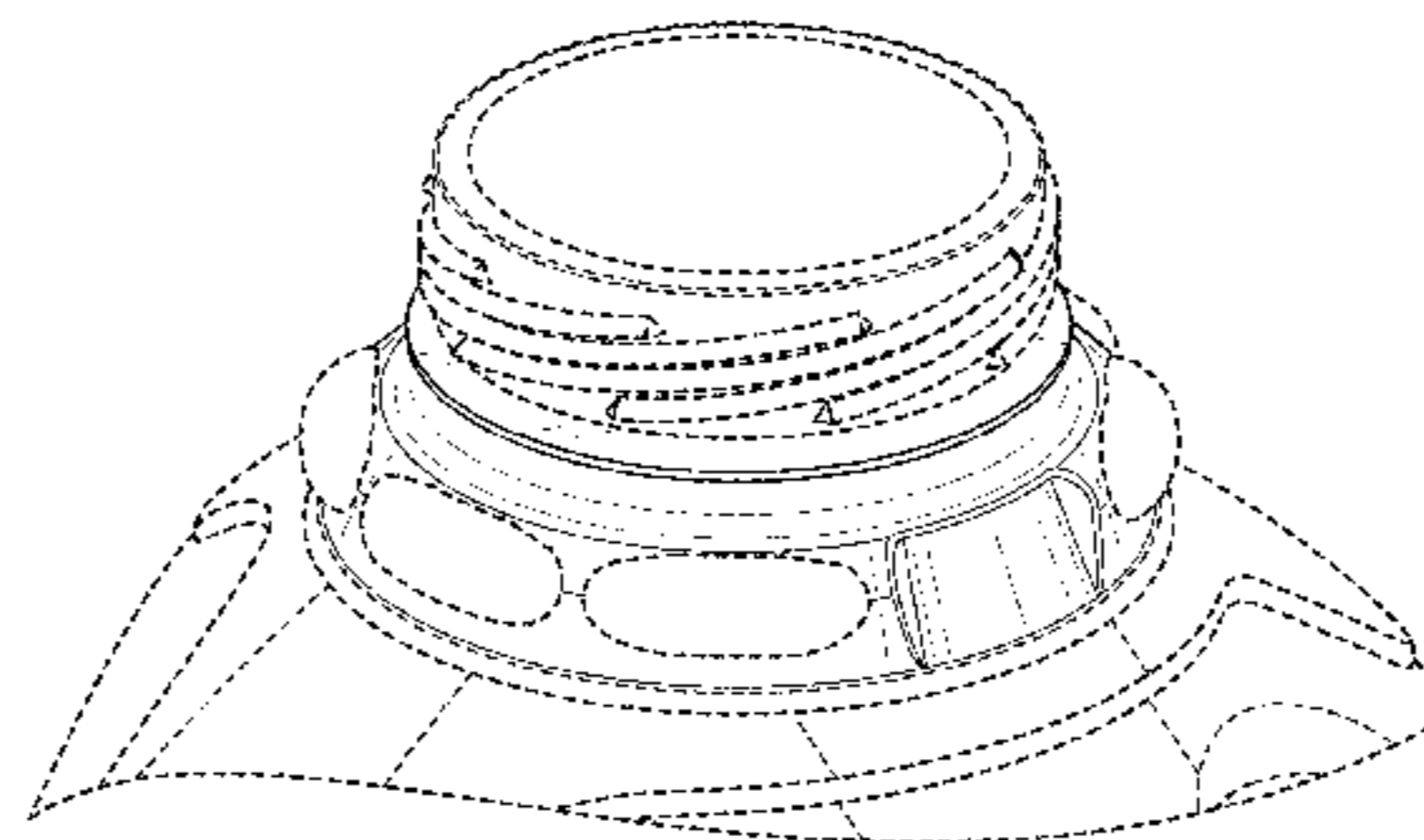
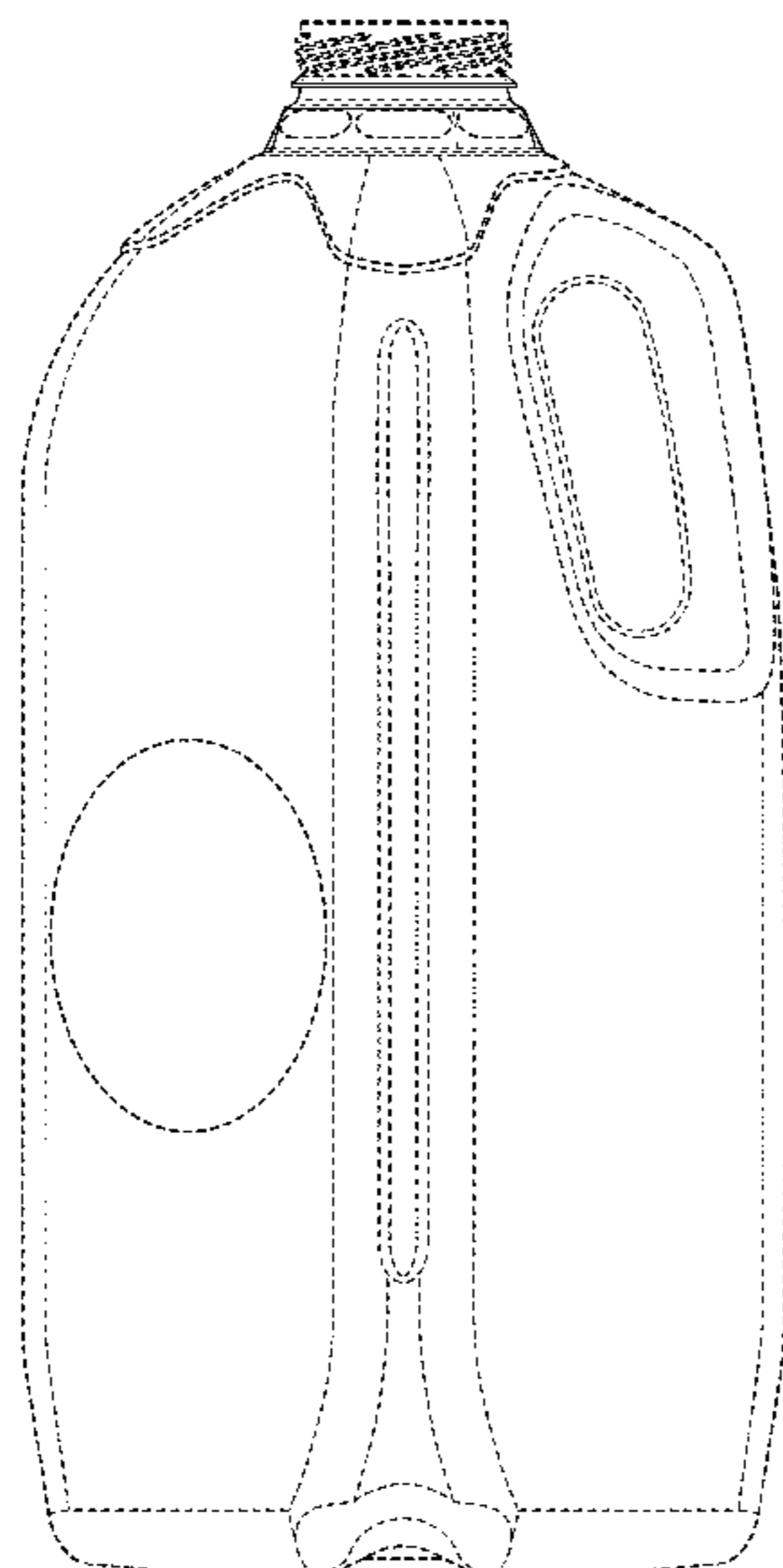
The ornamental design for a spout, as shown and described.

**DESCRIPTION**

FIG. 1 is a rear, left top perspective view of an embodiment of a spout according to my new design;  
 FIG. 2 is a left side elevation view thereof;  
 FIG. 3 is a rear elevation view thereof;  
 FIG. 4 is a right side elevation view thereof;  
 FIG. 5 is a front elevation view thereof;  
 FIG. 6 is a top plan view thereof;  
 FIG. 7 is a bottom plan view thereof;  
 FIG. 8 is an enlarged front, right top perspective view thereof;  
 FIG. 9 is a rear, left top perspective view of a second embodiment of a spout according to my new design;  
 FIG. 10 is a left side elevation view thereof;  
 FIG. 11 is a rear elevation view thereof;  
 FIG. 12 is a right side elevation view thereof;  
 FIG. 13 is a front elevation view thereof;  
 FIG. 14 is a top plan view thereof;  
 FIG. 15 is a bottom plan view thereof; and,  
 FIG. 16 is an enlarged front, right top perspective view thereof.

The broken lines shown represent unclaimed portions of the article and form no part of the claimed design.

**1 Claim, 16 Drawing Sheets**



(56)

**References Cited**

U.S. PATENT DOCUMENTS

D808,810 S *	1/2018	Rajesh .....	D9/516
D811,226 S *	2/2018	Logel .....	D9/516
D823,690 S *	7/2018	Palmer .....	D9/531
D823,691 S *	7/2018	Palmer .....	D9/531
D830,175 S *	10/2018	Rognard .....	D9/454

\* cited by examiner

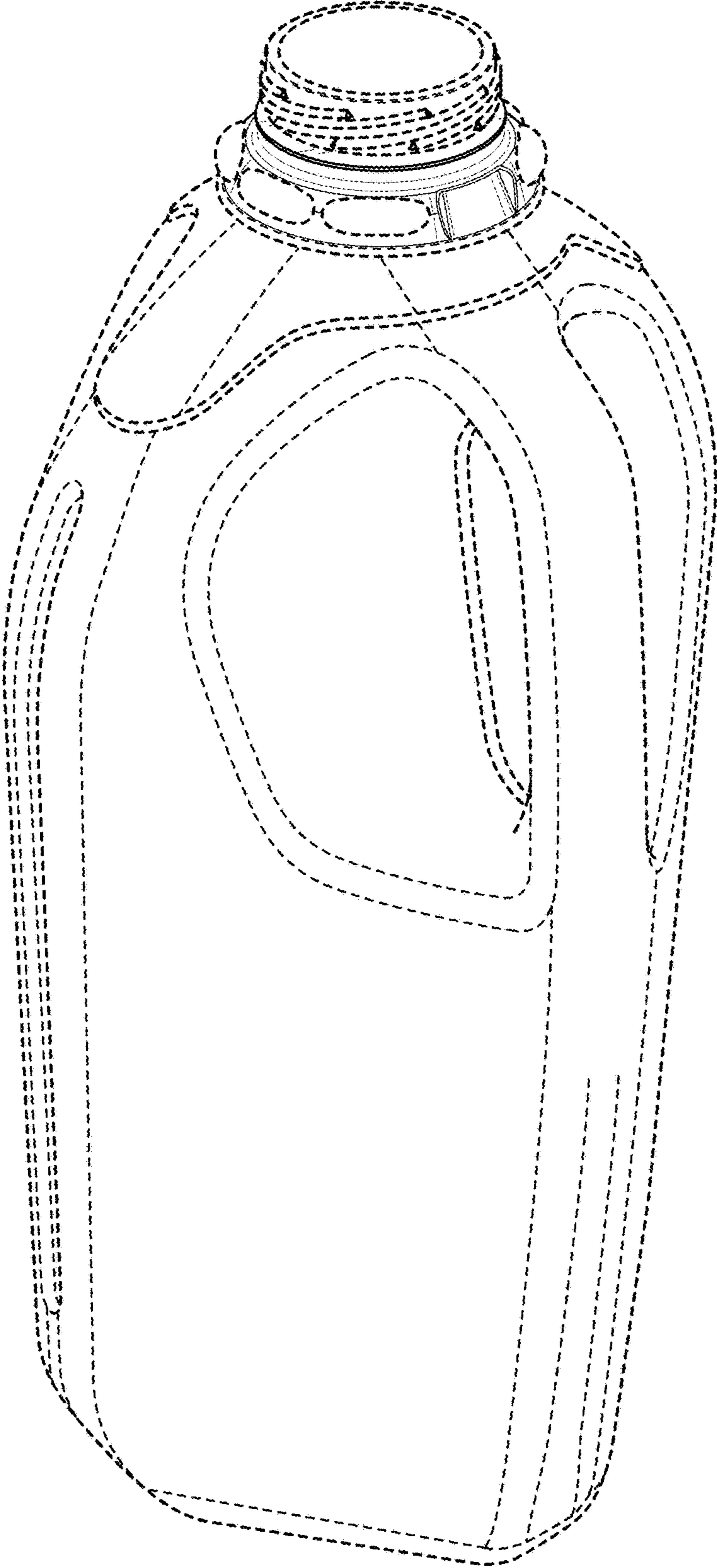


FIG. 1

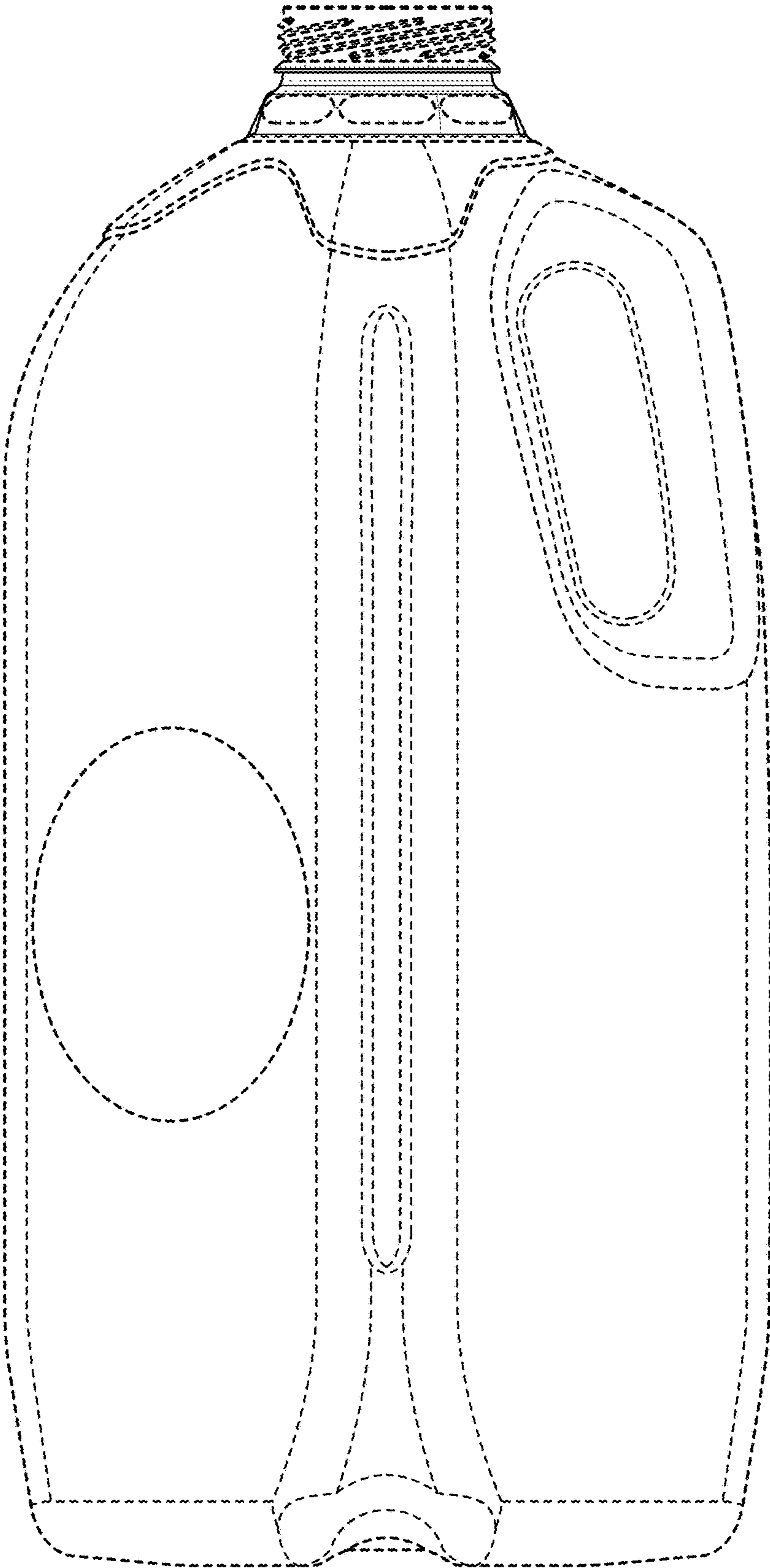


FIG. 2

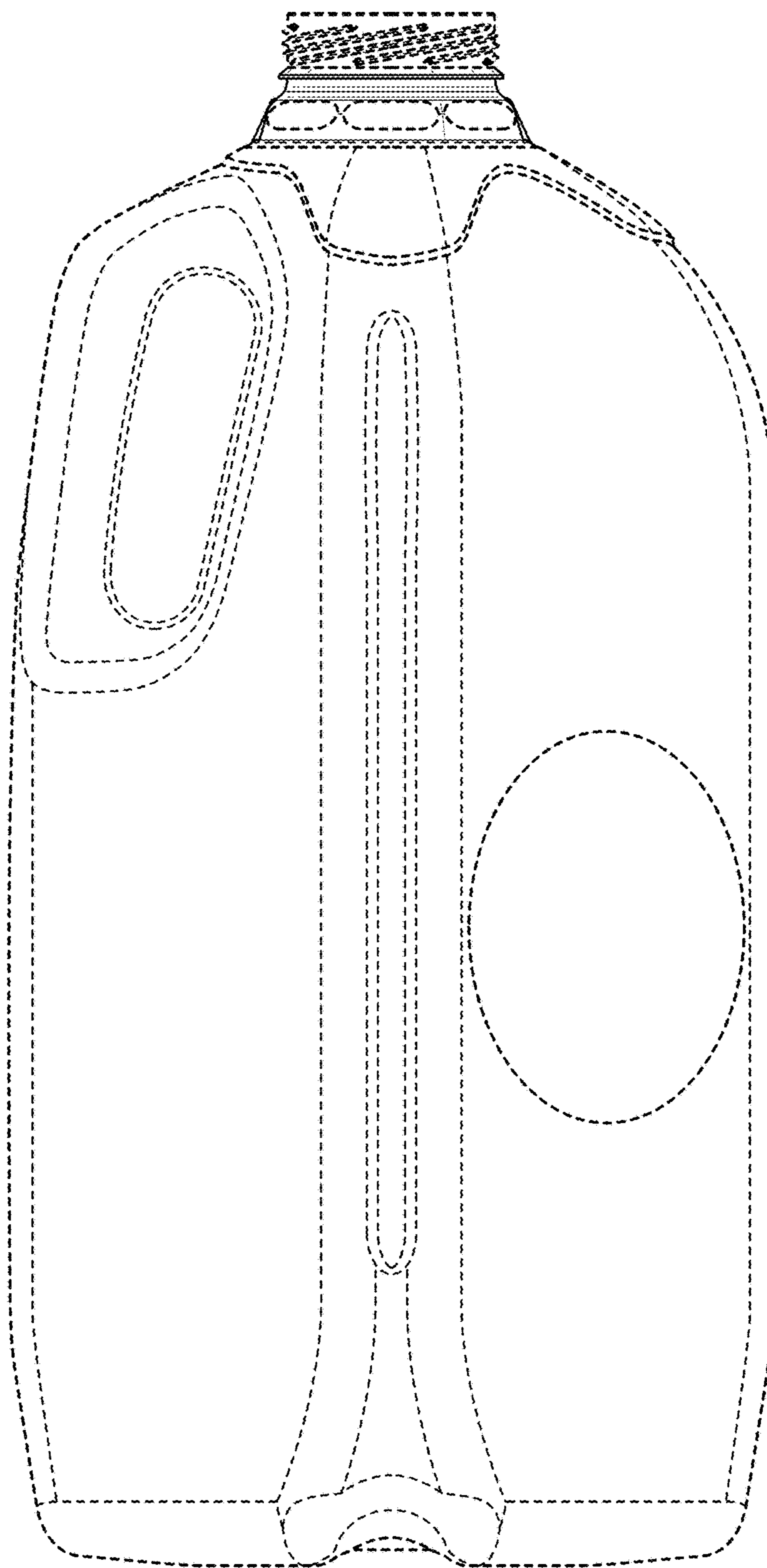


FIG. 3

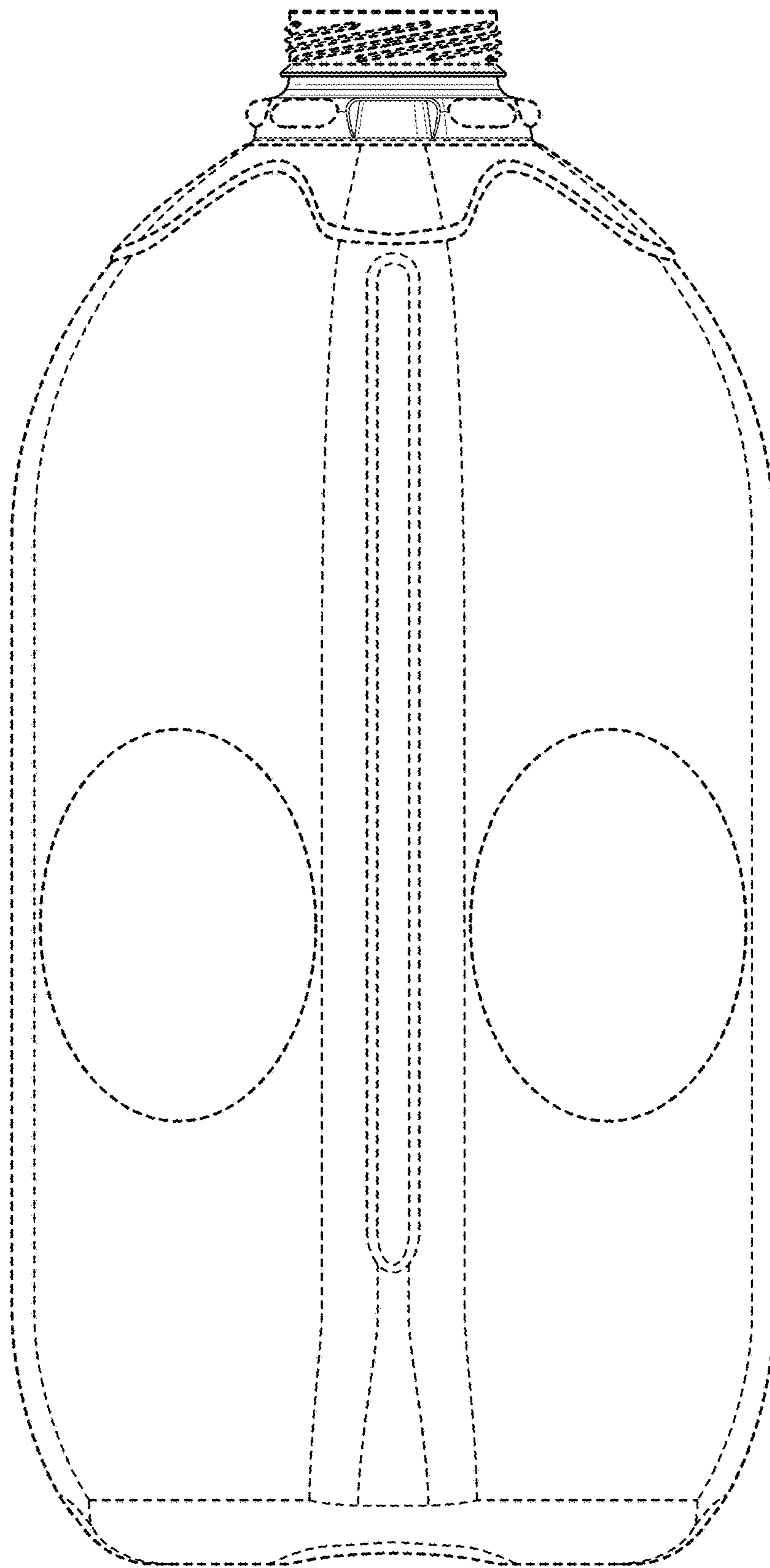


FIG. 4

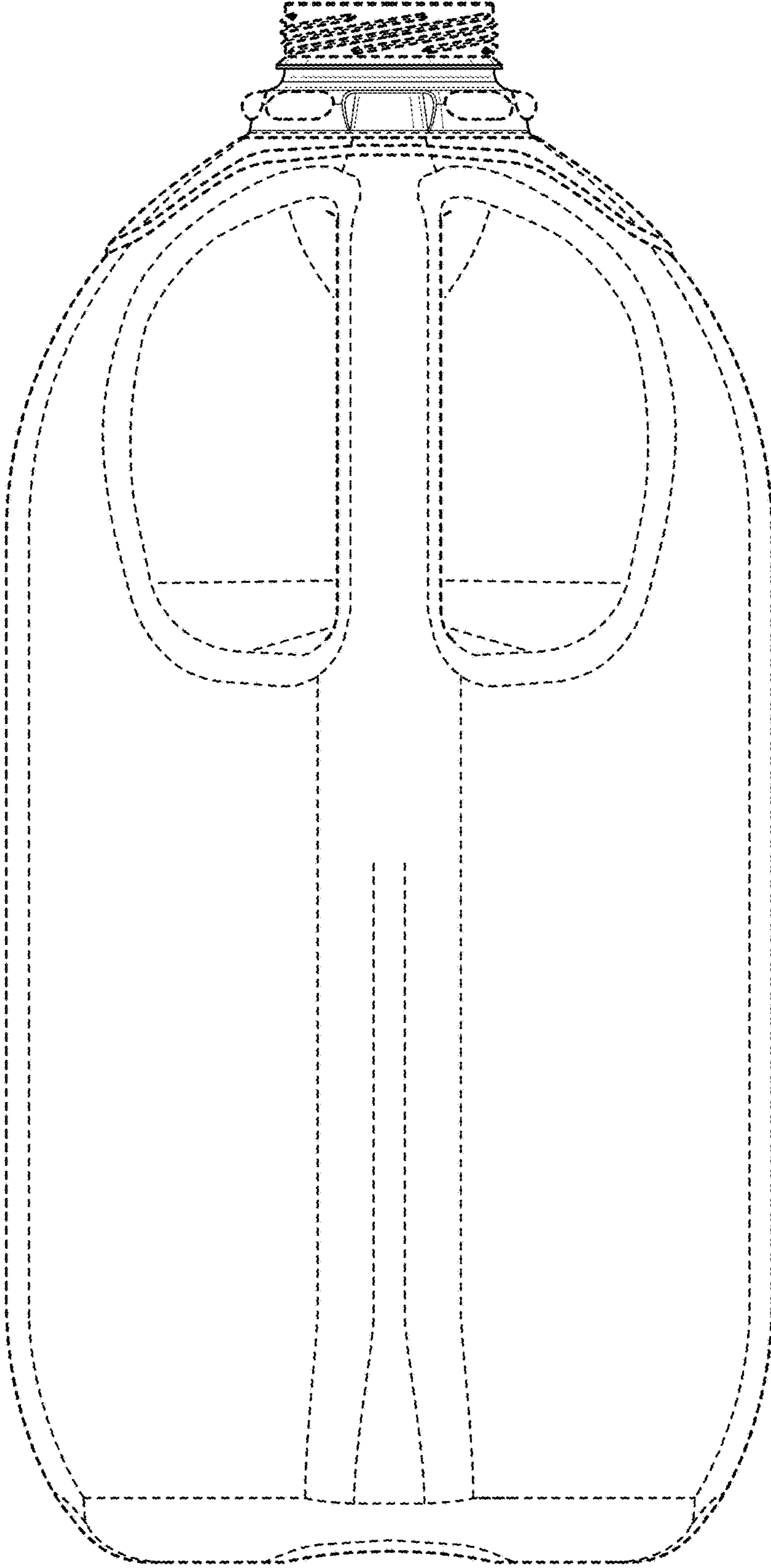


FIG. 5

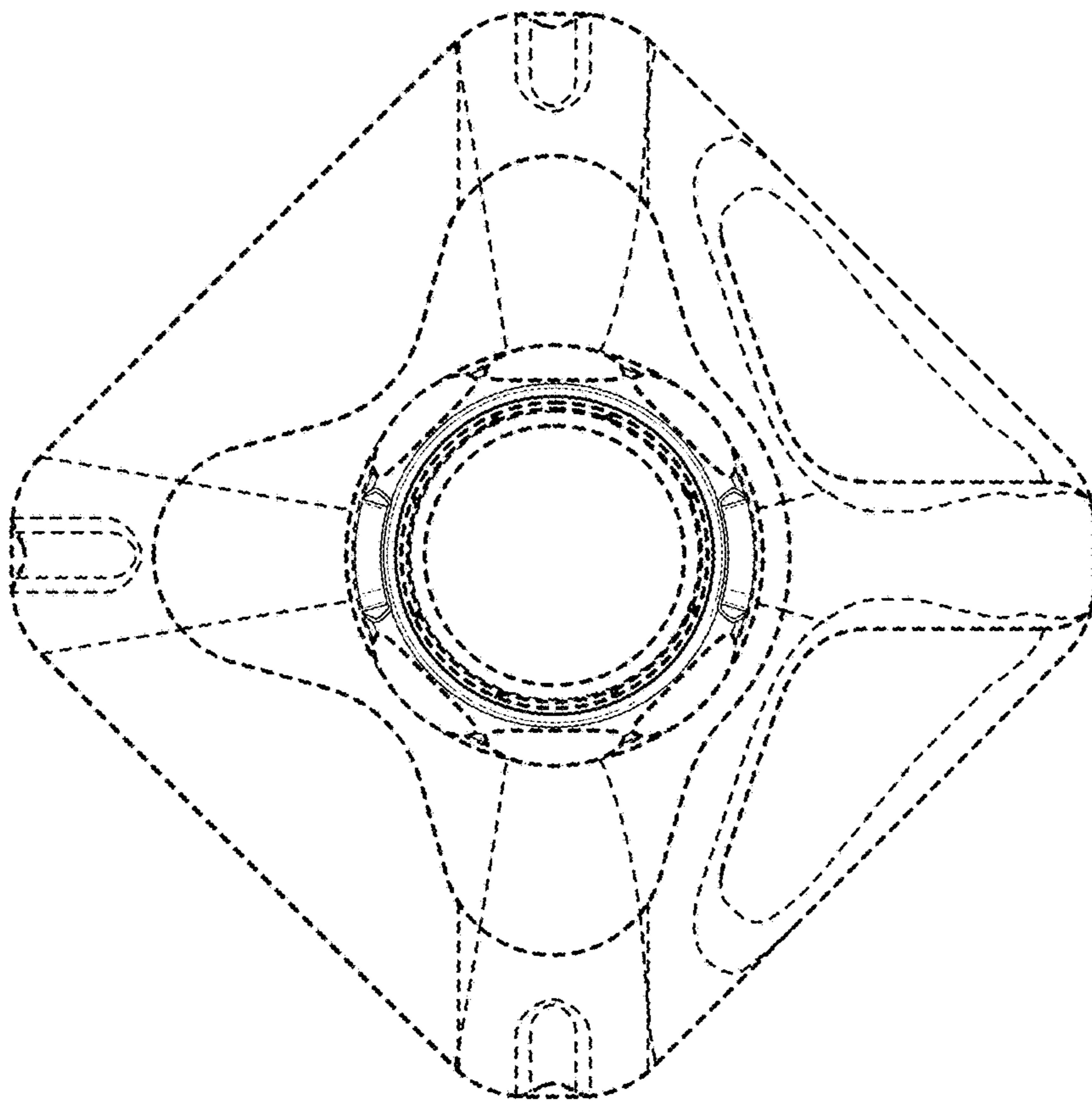


FIG. 6



- REPLACEMENT SHEET -

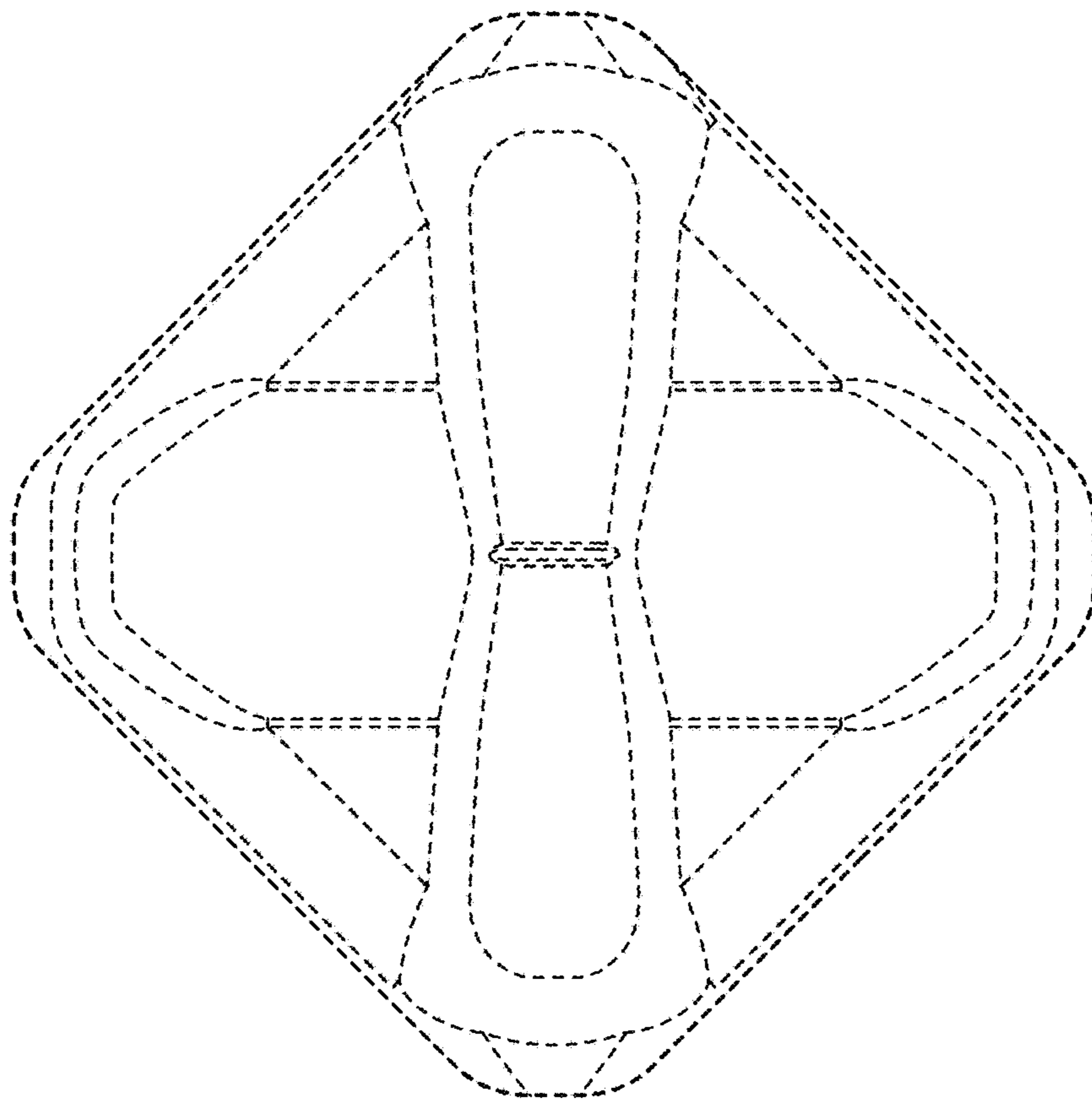


FIG. 7

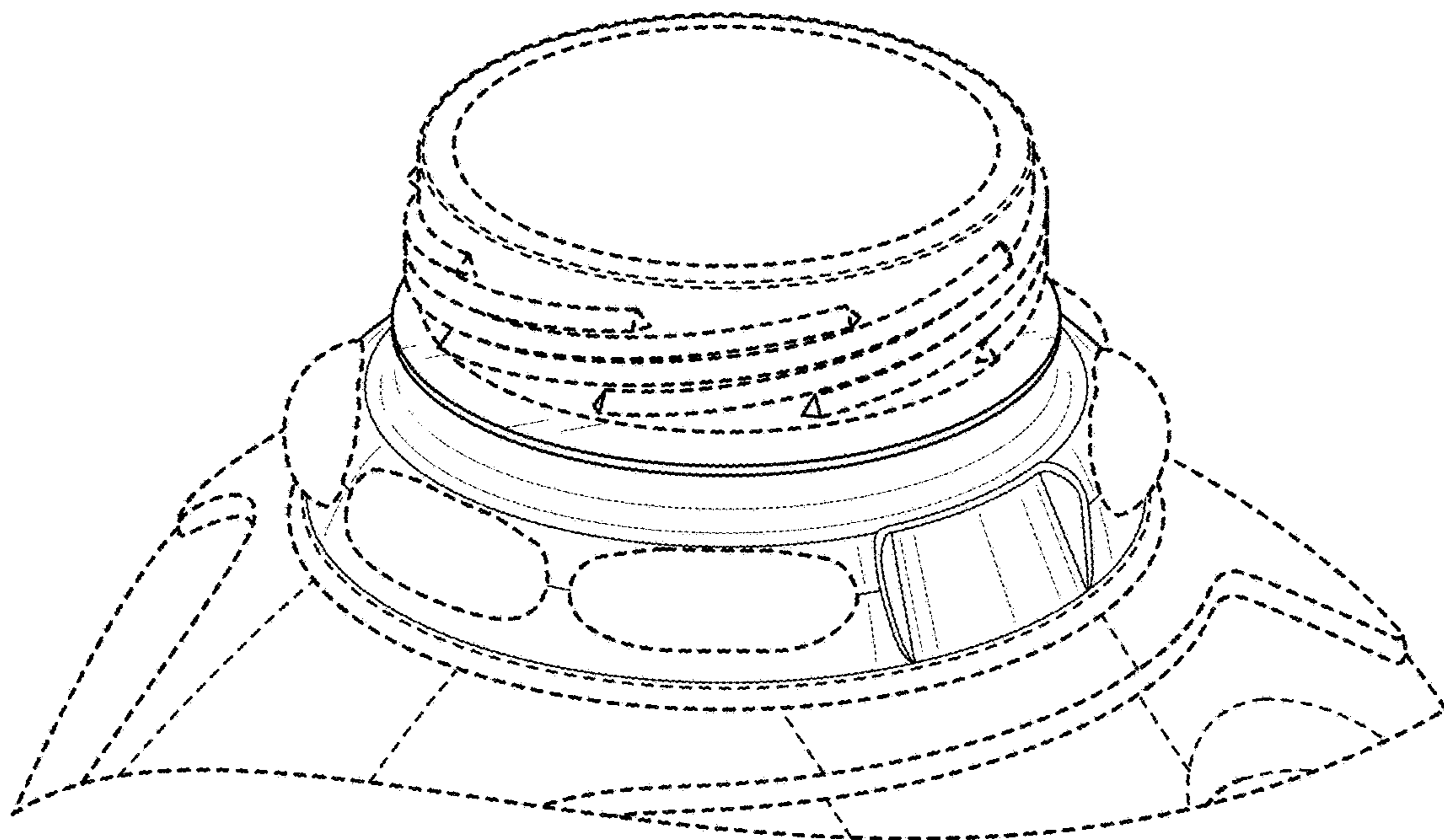


FIG. 8

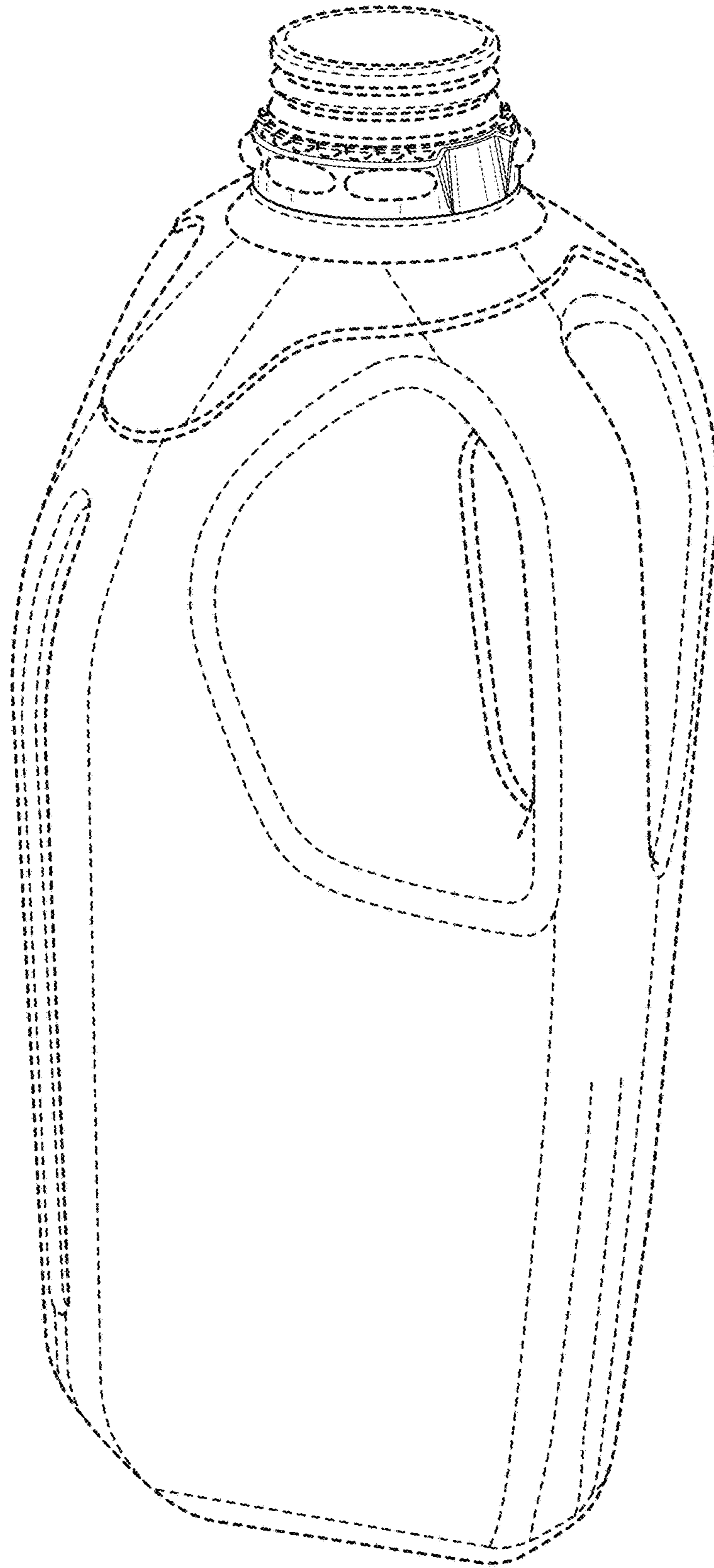


FIG. 9

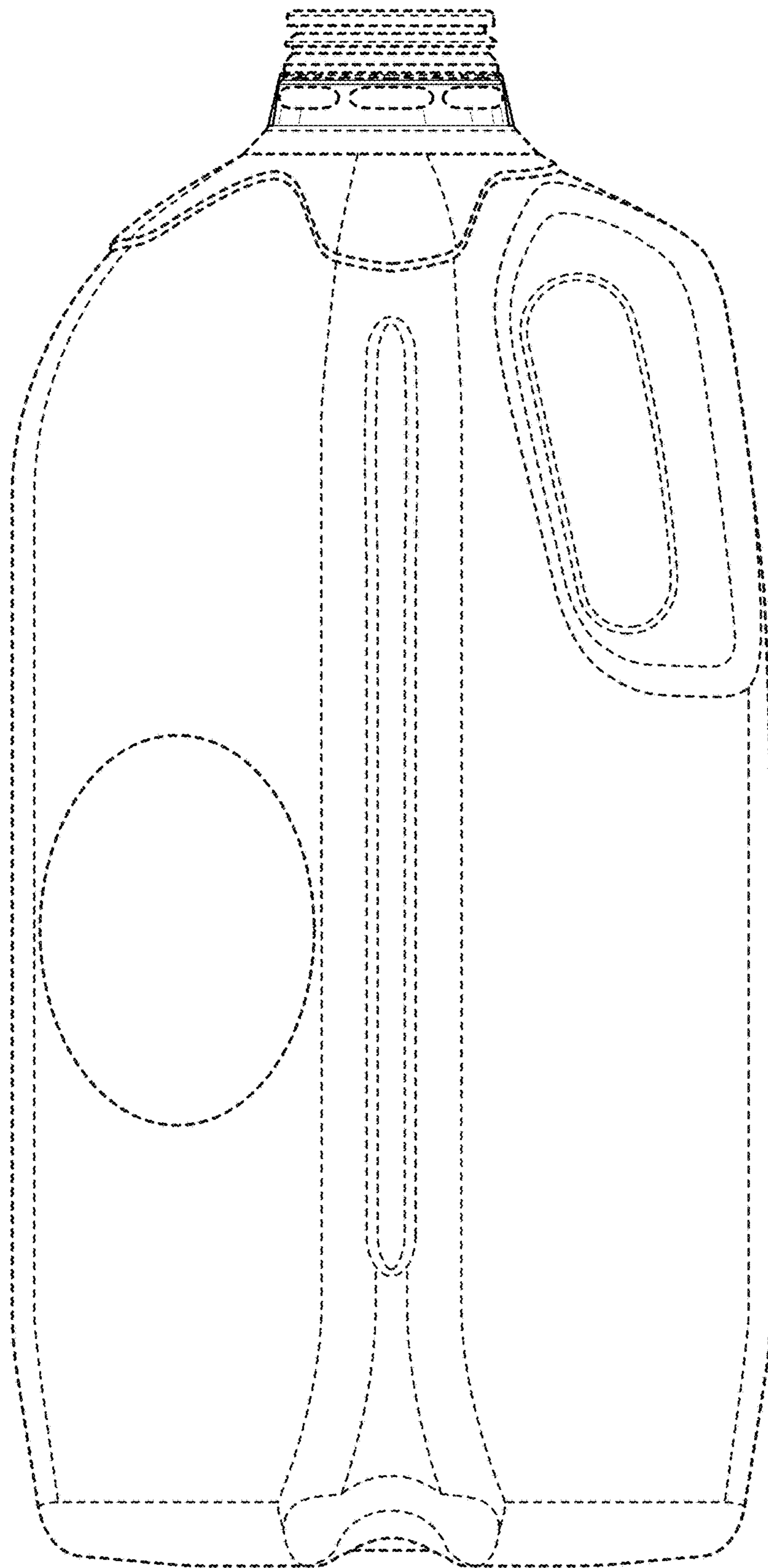


FIG. 10

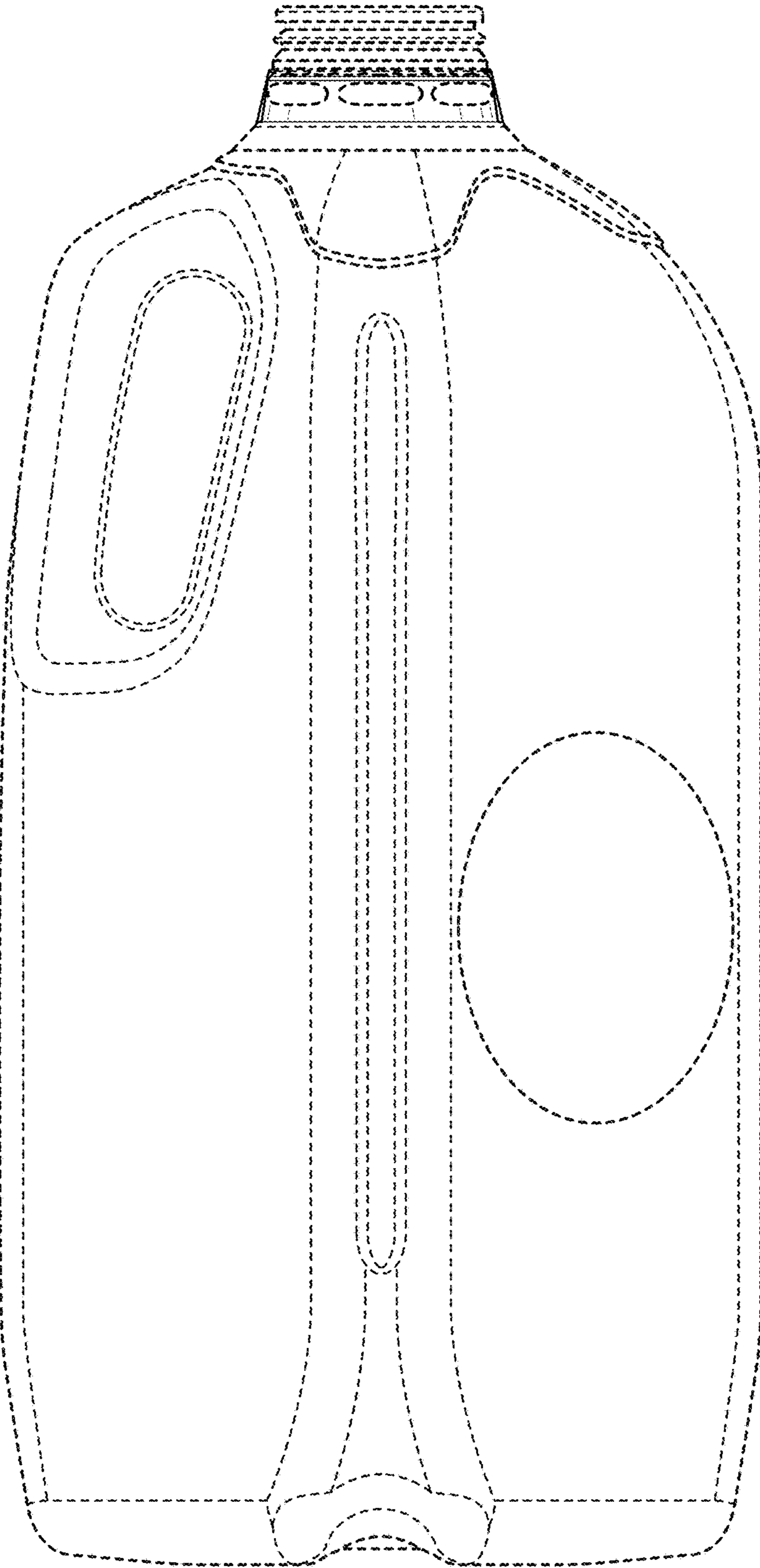


FIG. 11

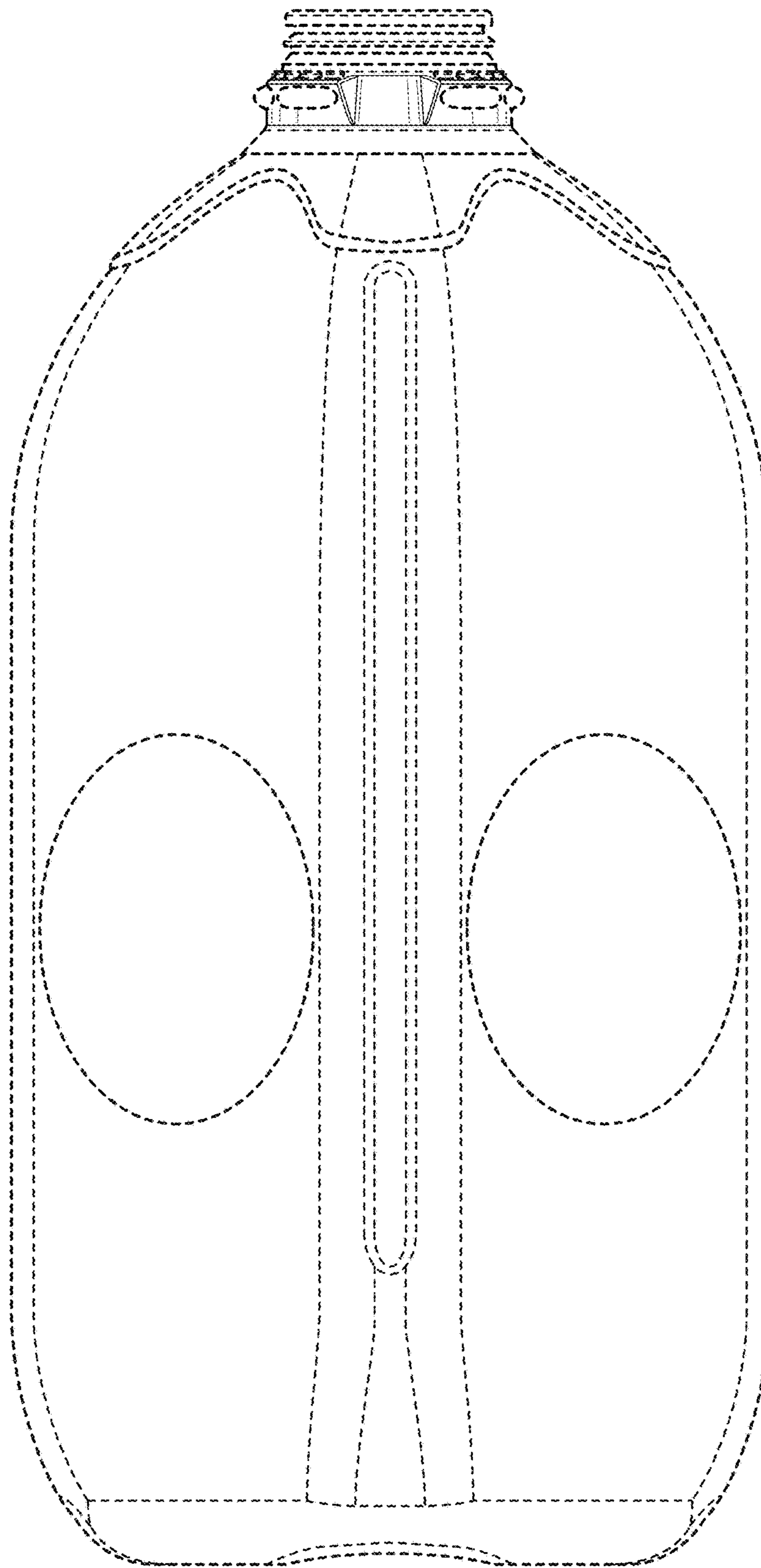


FIG. 12

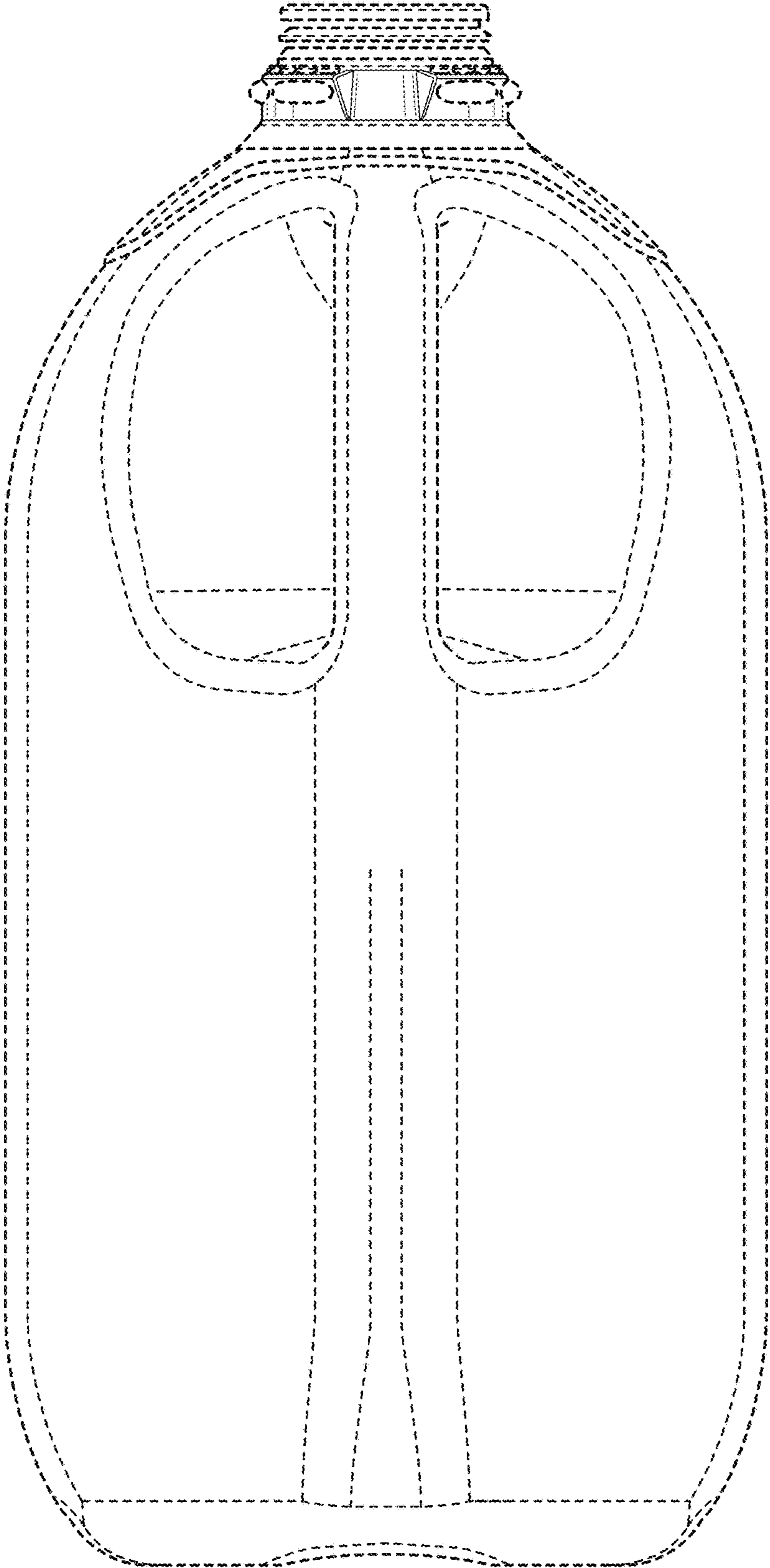


FIG. 13

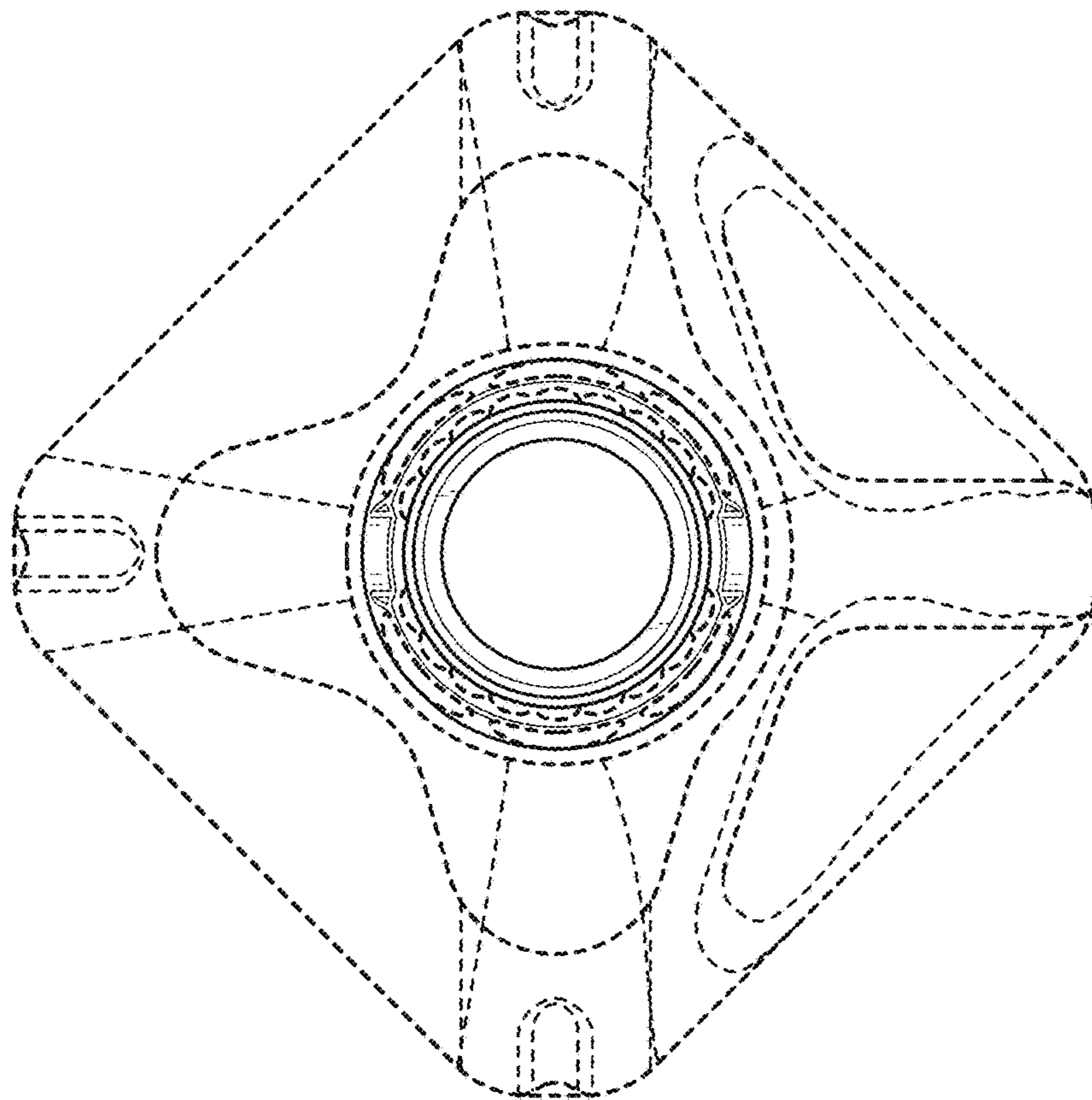


FIG. 14



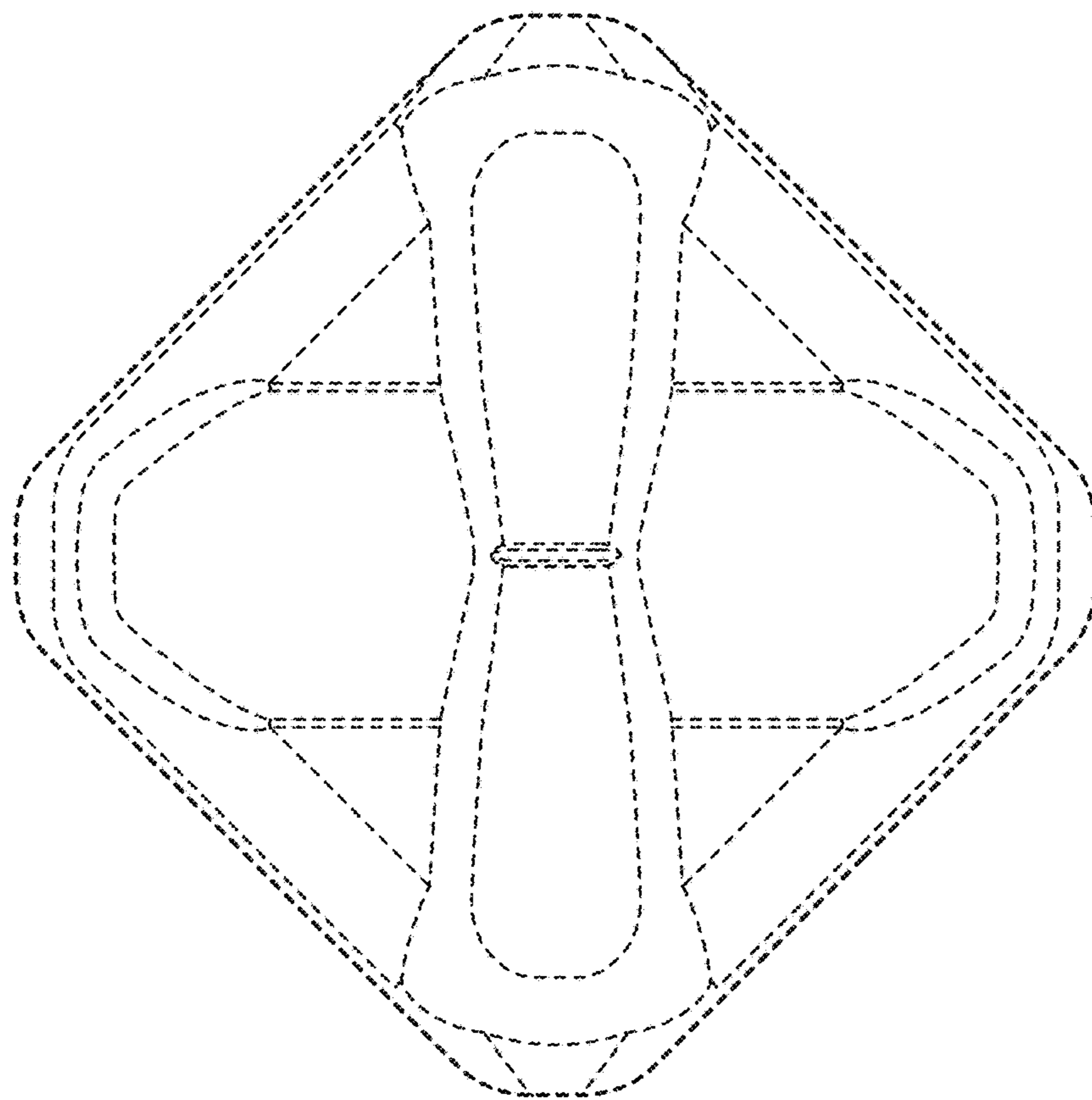


FIG. 15

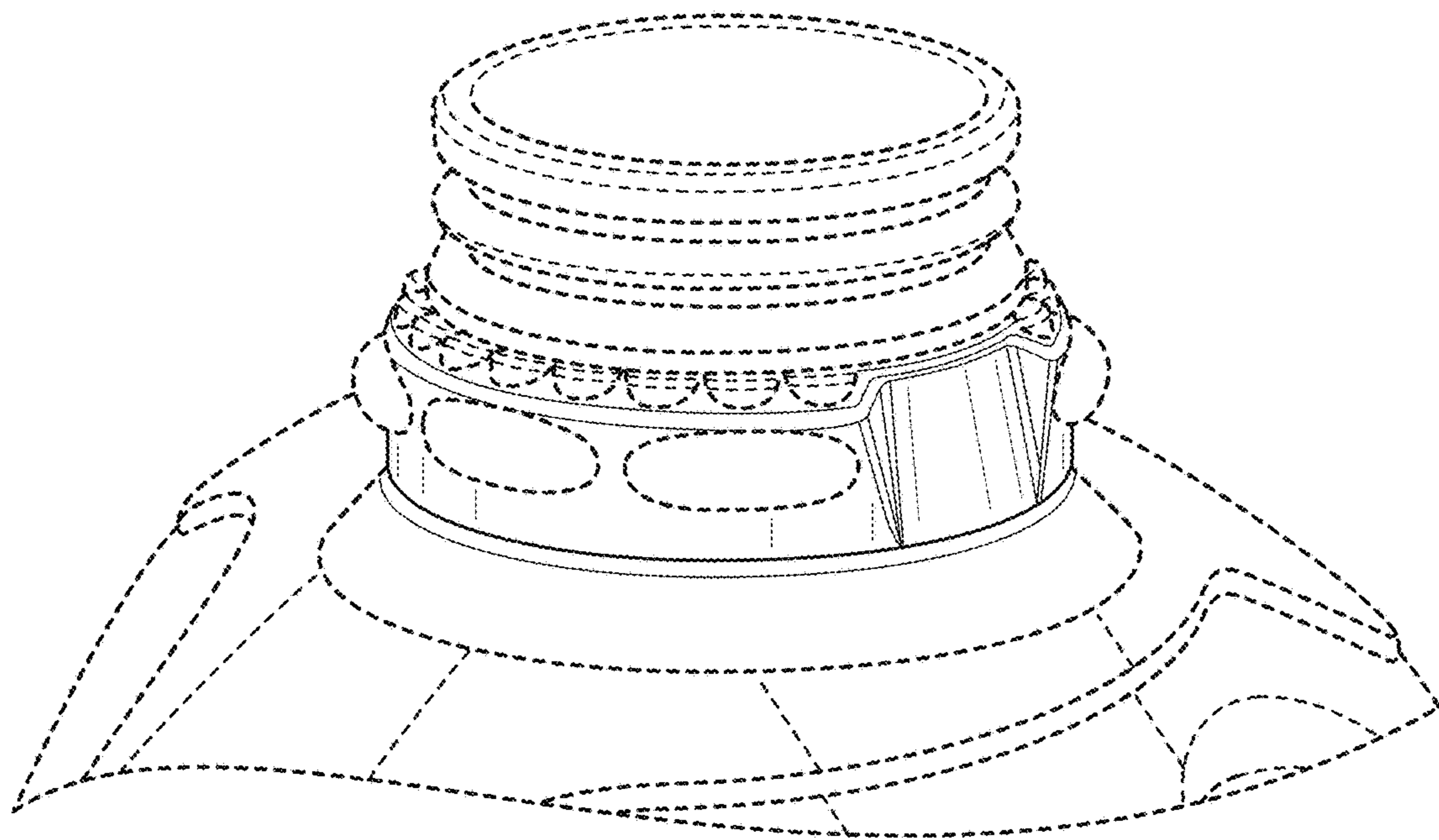


FIG. 16