



US00D845130S

(12) **United States Design Patent**
Walling et al.

(10) **Patent No.:** **US D845,130 S**

(45) **Date of Patent:** **** Apr. 9, 2019**

(54) **FOAM CONTAINER**

17/025; B65B 35/10; A45C 13/001; A45C
13/002; A45C 13/02; A61J 1/00; A61J
1/1412

(71) Applicants: **Mark Walling**, Grand Haven, MI (US);
Benjamin Howard, Grand Rapids, MI
(US); **Kevin Dewald**, Grand Haven, MI
(US)

See application file for complete search history.

(72) Inventors: **Mark Walling**, Grand Haven, MI (US);
Benjamin Howard, Grand Rapids, MI
(US); **Kevin Dewald**, Grand Haven, MI
(US)

(56) **References Cited**

U.S. PATENT DOCUMENTS

D289,825 S * 5/1987 Humphries D3/313
D325,526 S * 4/1992 Deguchi D9/415
(Continued)

(**) Term: **15 Years**

OTHER PUBLICATIONS

(21) Appl. No.: **29/627,385**

Foam Packaging Insert for Guns: Site Visited [Sep. 21st, 2018].
Available from Internet URL: <https://www.ebay.com/itm/1-CHARCOAL-FIRM-FOAM-PACKAGING-INSERTS-FOR-GUN-CASES-2-THICK-/371809425761>.*

(22) Filed: **Nov. 27, 2017**

(51) **LOC (11) Cl.** **09-07**

(52) **U.S. Cl.**
USPC **D9/456**

(58) **Field of Classification Search**

USPC D3/200, 201, 203.1, 204, 254; D6/663,
D6/665, 672, 674, 675; D7/550.1, 551.1,
D7/600.1, 601, 401.1, 553.1, 553.2,
D7/553.4, 553.5, 555, 598, 800; D9/424,
D9/430, 432, 600, 624, 674, 680, 737,
D9/721, 722, 501, 414, 434, 455, 456,
D9/457, 499, 758, 756, 751, 415, 433,
D9/560, 568, 575, 715, 719, 723;
D20/10, 11, 22, 23, 27, 28, 34, 40, 42,
D20/44, 99, 12, 13, 14, 17, 19; D19/1, 4,
D19/9, 59

CPC B65D 2571/00283; B65D 2571/00444;
B65D 2571/00456; B65D 2571/0066;
B65D 2571/0045; B65D 67/02; B65D
21/0224; B65D 71/44; B65D 71/50;
B65D 71/502; B65D 17/12; B65D
77/047; B65D 77/042; B65D 75/366;
B65D 43/161; B65D 1/00; B65D 1/02;
B65D 1/10; B65D 1/46; B65D 2585/56;
B65D 41/00; B65D 41/56; B65D 41/62;
B65D 47/06; B65D 47/08; B65D 47/265;
B65D 25/02; B65D 25/04; B65D 81/02;
B65D 81/022; B65D 81/025; B65B

(Continued)

Primary Examiner — Jennifer Rivard

Assistant Examiner — Catherine S Posthauer

(74) *Attorney, Agent, or Firm* — Foster Swift Collins &
Smith, P.C.; Zachary W. Behler

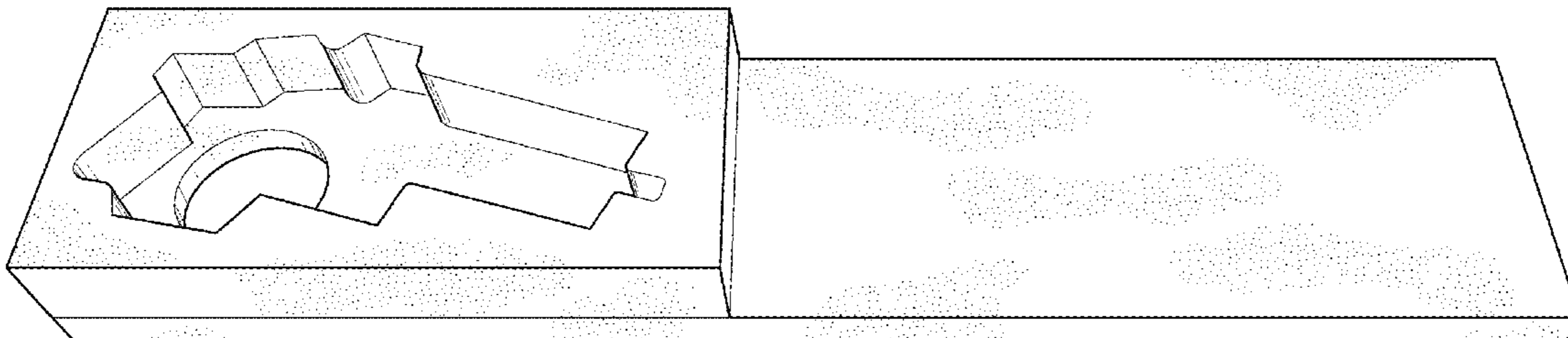
(57) **CLAIM**

The ornamental design for a foam container, substantially as
shown and described.

DESCRIPTION

FIG. 1 is a top perspective view of a foam container,
showing our new design;
FIG. 2 is a top view thereof;
FIG. 3 is a bottom view thereof;
FIG. 4 is a left side view thereof;
FIG. 5 is a right side view thereof;
FIG. 6 is an end view thereof; and,
FIG. 7 is an end view thereof, opposite FIG. 6.

(Continued)



The stipple shading is fragmentarily shown, it being understood that the stipple shading is uniformly continuous across the surface of the container.

1 Claim, 3 Drawing Sheets

(56)

References Cited

U.S. PATENT DOCUMENTS

D369,547 S * 5/1996 Dahlheimer D9/415
 5,782,346 A * 7/1998 Gray B65D 81/025
 206/228
 D481,311 S * 10/2003 Humphrey D9/415
 D648,630 S * 11/2011 Doster D19/83
 D652,294 S * 1/2012 Seneca D9/418
 D655,750 S * 3/2012 Clegg D19/1
 D661,188 S * 6/2012 Fahy D9/456
 D723,920 S * 3/2015 Wakeham D9/456
 D739,551 S * 9/2015 Castaing D24/222
 D746,061 S * 12/2015 Wax D3/318

D746,595 S * 1/2016 Wax D3/318
 D748,498 S * 2/2016 Pipes D9/424
 D774,882 S * 12/2016 Kemker D9/414
 D782,332 S * 3/2017 Kim D9/456
 D796,204 S * 9/2017 Wax D3/318
 D808,656 S * 1/2018 Zheng D3/319
 D818,824 S * 5/2018 Balander D9/456
 D826,714 S * 8/2018 Pipes D9/456
 2008/0237939 A1 * 10/2008 McDonnough A45C 13/02
 264/500
 2010/0308038 A1 * 12/2010 Davidson B65D 81/025
 220/4.21
 2013/0082051 A1 * 4/2013 Kaufmann A47G 21/14
 220/23.83
 2017/0165022 A1 * 6/2017 Dam-Huisman A61J 1/03

OTHER PUBLICATIONS

Foam Insert for Handgun Packaging: Site Visited [Sep. 21, 2018]. Available from Internet URL: <https://www.ebay.com/itm/New-Handgun-Pistol-Revolver-Foam-conversion-kit-fits-your-Pelican-1200-case-/322797566974>.*

* cited by examiner

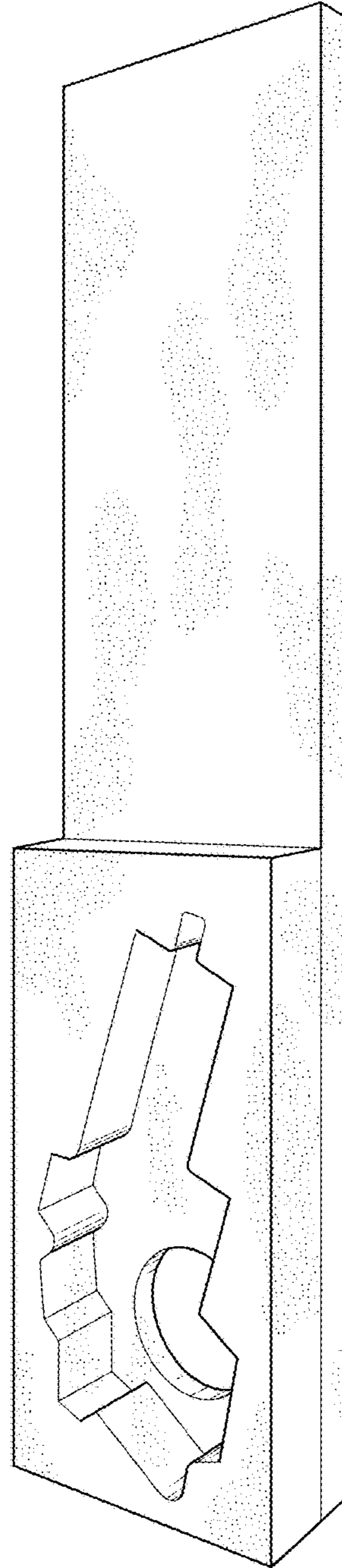


FIG. 1

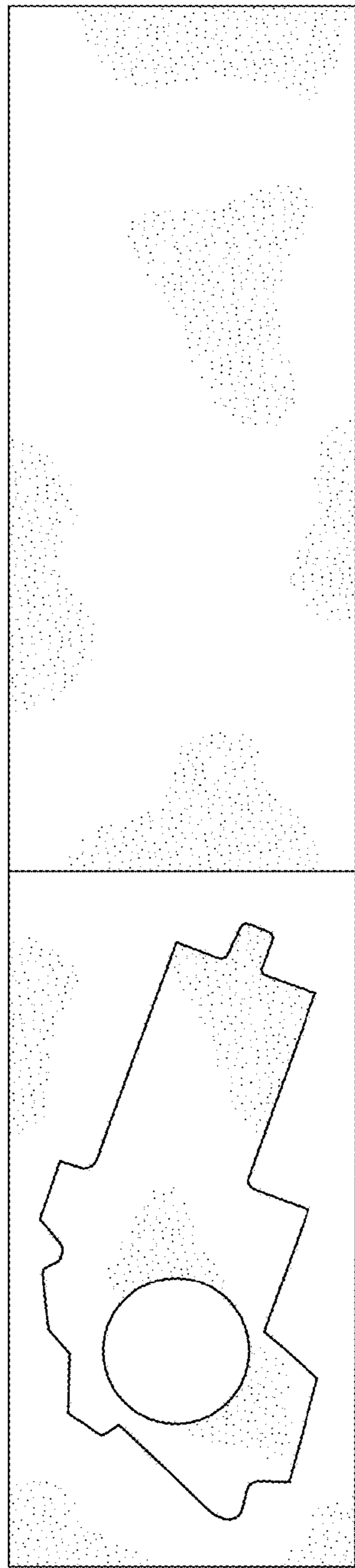


FIG. 2

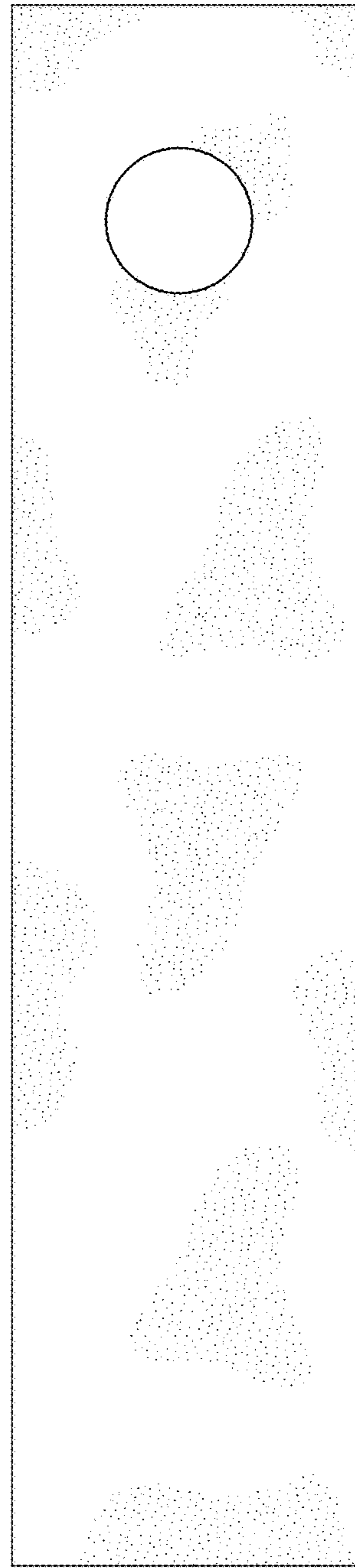


FIG. 3

FIG. 4

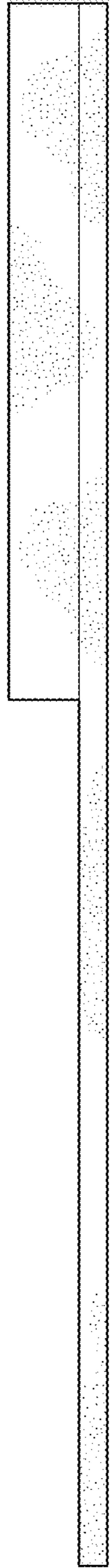


FIG. 5



FIG. 6

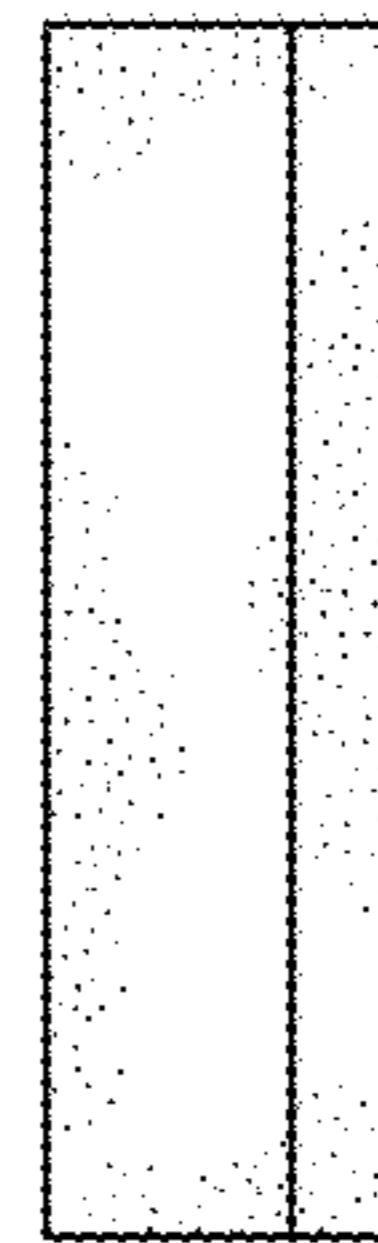


FIG. 7

