



US00D845129S

(12) **United States Design Patent** (10) **Patent No.:** **US D845,129 S**
Lee (45) **Date of Patent:** **** Apr. 9, 2019**

(54) **COSMETIC VESSEL**
(71) Applicant: **LG HOUSEHOLD & HEALTH CARE LTD.**, Seoul (KR)
(72) Inventor: **Henson Lee**, Seoul (KR)
(73) Assignee: **LG HOUSEHOLD & HEALTH CARE LTD.**, Seoul (KR)
(**) Term: **15 Years**
(21) Appl. No.: **29/586,862**
(22) Filed: **Dec. 7, 2016**
(30) **Foreign Application Priority Data**
Nov. 1, 2016 (KR) 30-2016-0052320
(51) **LOC (11) Cl.** **09-07**
(52) **U.S. Cl.**
USPC **D9/454**
(58) **Field of Classification Search**
USPC D3/10, 15, 17, 29, 200, 202, 203.1, 207;
D7/387, 391, 392, 392.1, 393, 396.1,
D7/396.2, 398, 900; D8/300, 303, 310,
D8/321, 354, 400, 402; D9/434, 435,
D9/439, 445, 446, 447, 448, 449, 452,
D9/453, 454, 442, 651, 695-699,
D9/702-715, 723-729, 425, 428,
D9/500-505, 516, 529, 530, 537, 538,
D9/541, 546, 548, 549, 566, 569, 570,
D9/571, 692, 694, 738, 745, 746, 774;
D12/197, 200, 220; D19/96, 162, 163,
D19/187, 194; D23/259, 260, 261;
D24/112, 127, 194, 196, 197, 199, 224;
D28/4, 73, 76, 78, 82; D6/516; D26/36,
D26/123, 124; D11/40, 41, 220, 222;
(Continued)

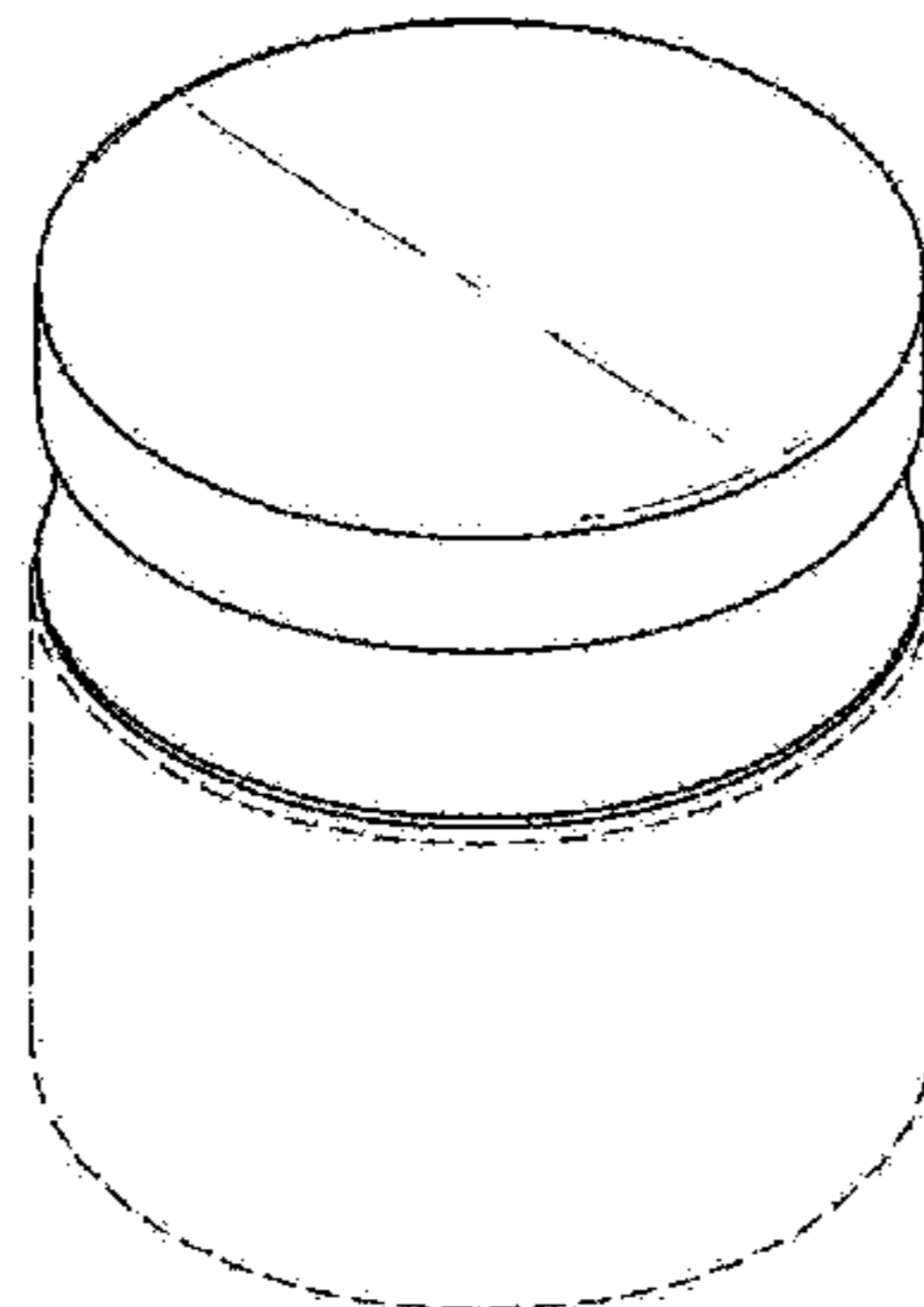
(56) **References Cited**
U.S. PATENT DOCUMENTS
D28,413 S * 3/1898 Taite D9/504
D54,606 S * 3/1920 Curtin D9/439
D422,218 S * 4/2000 Ohchi D9/454
(Continued)
FOREIGN PATENT DOCUMENTS
JP 2015100552 A * 6/2015 A45D 33/06
JP 2015104490 A * 6/2015
JP 2015119900 A * 7/2015

OTHER PUBLICATIONS
O Hui Cosmetic Products: Site Visited Oct. 20, 2018: Available from Internet URL: http://www.ohui.co.kr/en/product/category.jsp?cid1=1&cid2=E.*
Primary Examiner — Jennifer Rivard
Assistant Examiner — Catherine S Posthauer
(74) *Attorney, Agent, or Firm* — Mintz Levin Cohn Ferris Glovsky and Popeo, P.C.; Kongsik Kim

(57) **CLAIM**
The ornamental design for a cosmetic vessel, as shown and described.

DESCRIPTION
FIG. 1 is a perspective view of a cosmetic vessel according to the present invention.
FIG. 2 is a front view of the cosmetic vessel of FIG. 1.
FIG. 3 is a rear view of the cosmetic vessel of FIG. 1.
FIG. 4 is a left side view of the cosmetic vessel of FIG. 1.
FIG. 5 is a right side view of the cosmetic vessel of FIG. 1.
FIG. 6 is a top view of the cosmetic vessel of FIG. 1; and, FIG. 7 is a bottom view of the cosmetic vessel of FIG. 1.
The broken lines are shown for the purpose of illustrating parts of the article that form no part of the claim.

1 Claim, 7 Drawing Sheets



(58) **Field of Classification Search**

USPC D21/374, 459, 460; D27/137, 172, 175,
D27/193
CPC A45D 34/00; A45D 34/03; A45D 2200/05;
A45D 2200/051; A45D 34/02; A45D
40/40; A45D 40/0068; A45D 40/0073;
A45D 40/00; A45D 2034/007; A45D
33/00; A45D 33/003; A45D 33/18; A45D
33/22; B65D 75/5883; B65D 41/3414;
B65D 41/00; B65D 41/3447; B65D
2101/0023; B65D 2101/0046; B65D
2213/00; B65D 81/3272; B65D 85/12;
B65D 23/065; B65D 47/066; A45F 3/16;
A47G 19/2266; A47G 19/2272

See application file for complete search history.

(56) **References Cited**

U.S. PATENT DOCUMENTS

D484,644	S	*	12/2003	Noh	D28/76
D485,017	S	*	1/2004	Noh	D28/76
D515,928	S	*	2/2006	Pace	D9/504
D678,771	S	*	3/2013	Kawamura	D9/452
D682,097	S	*	5/2013	Chiorazzi	D9/439
D822,282	S	*	7/2018	Montoli	A45D 33/00 D28/82
D825,334	S	*	8/2018	Ristich	D9/454
2017/0303661	A1	*	10/2017	Salciarini	A45D 40/0068
2018/0132592	A1	*	5/2018	Chung	A45D 33/006
2018/0242712	A1	*	8/2018	Salciarini	A45D 40/0068

* cited by examiner

FIG. 1

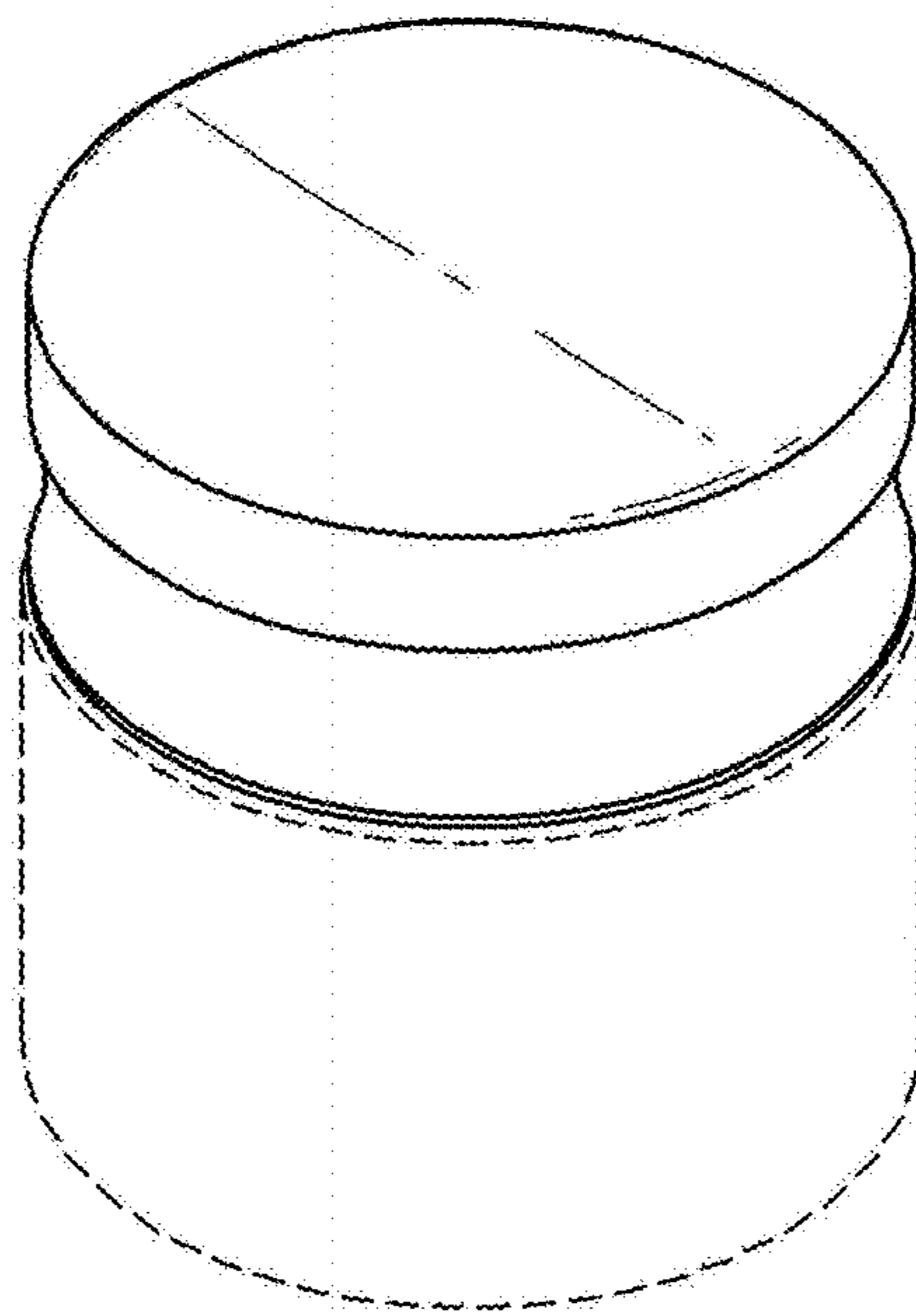


FIG. 2

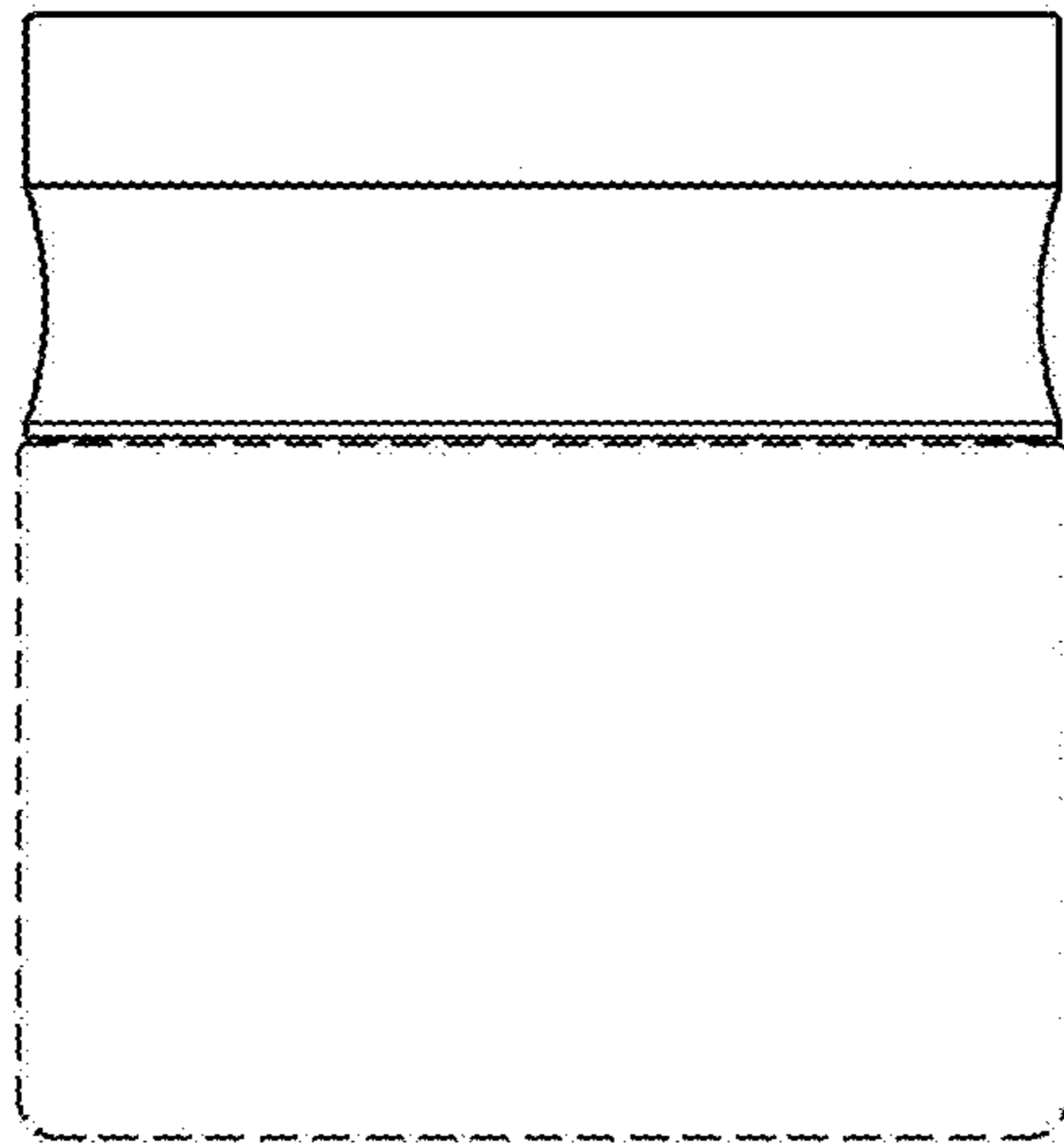


FIG. 3

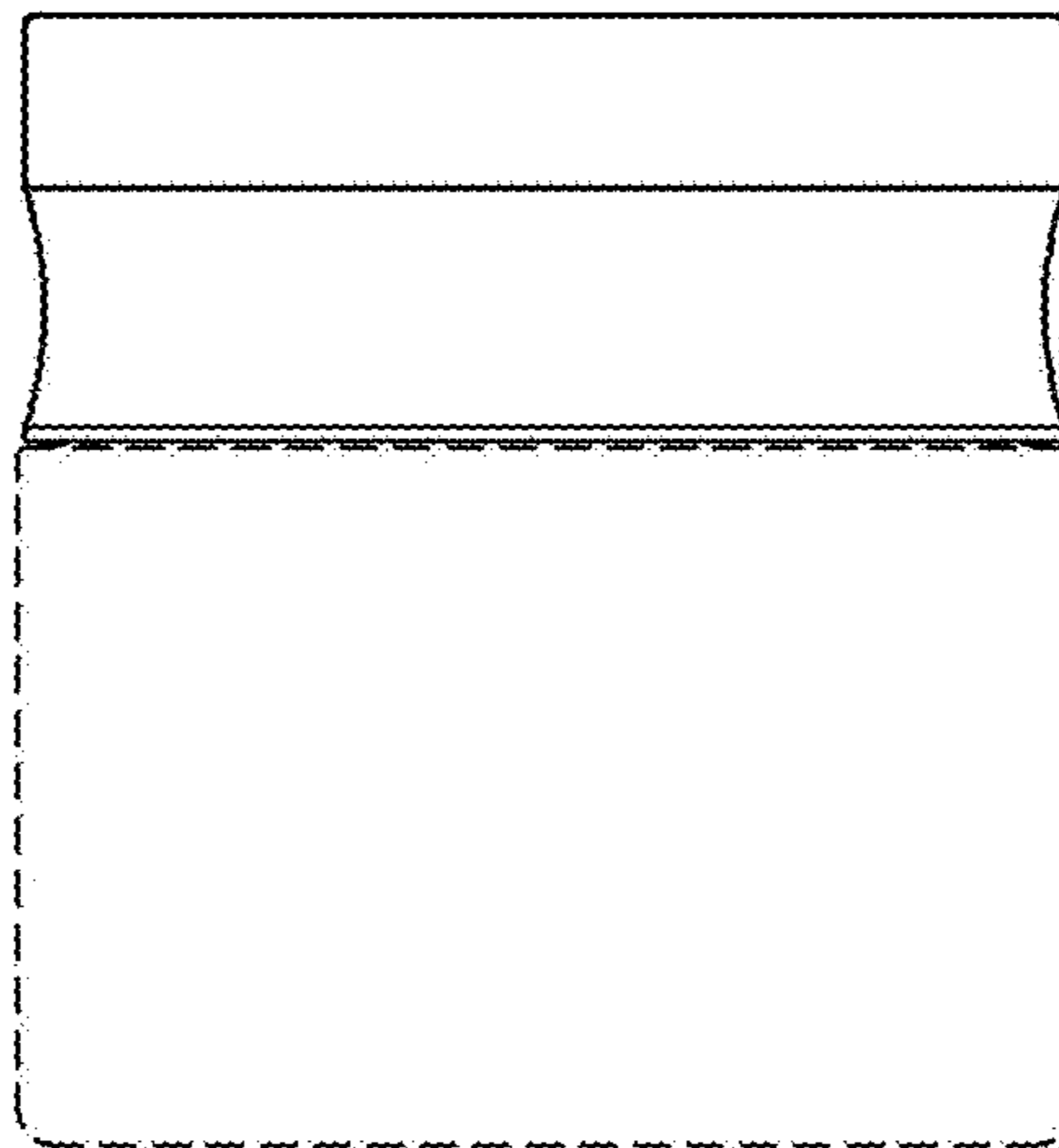


FIG. 4

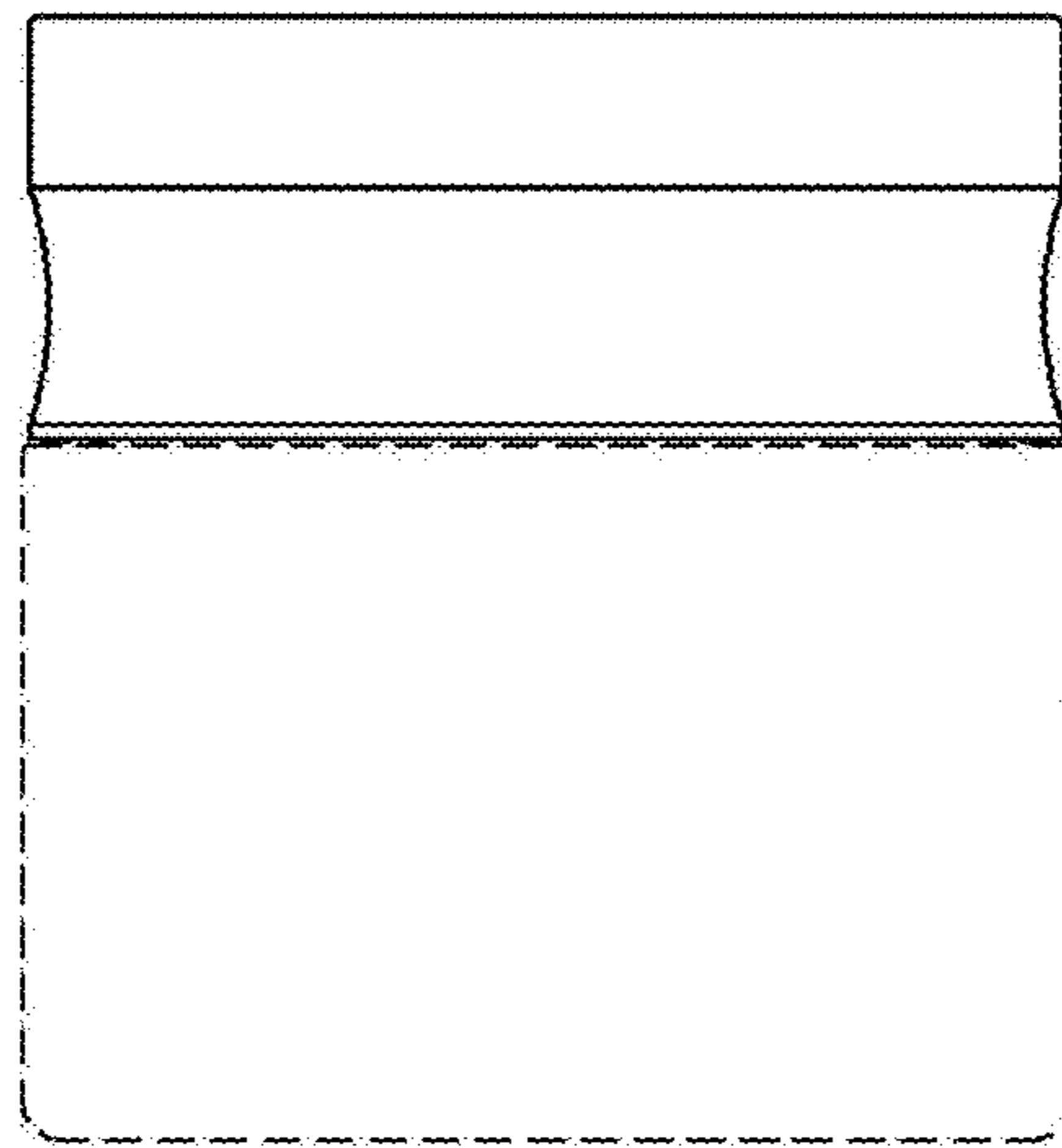


FIG. 5

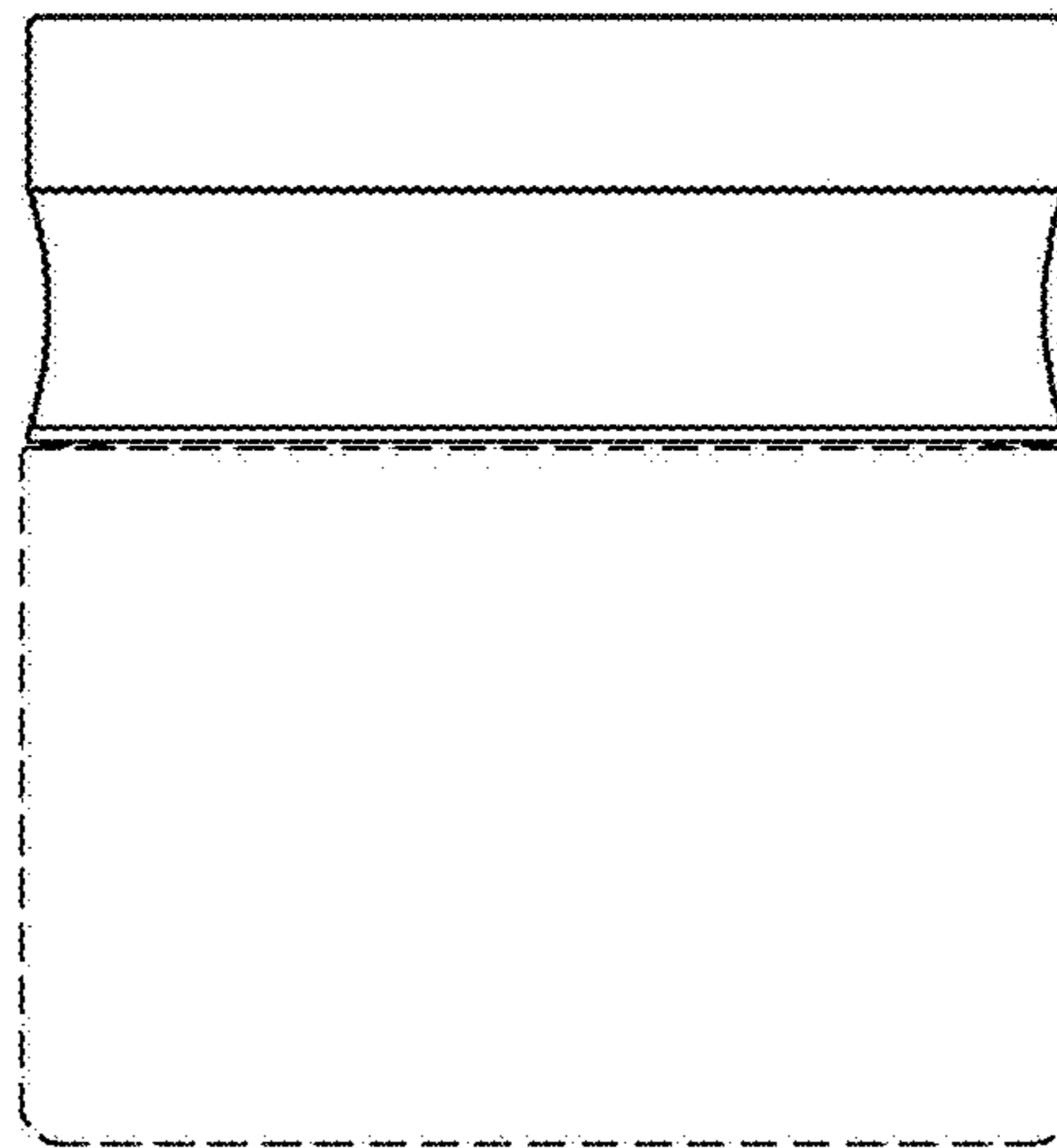


FIG. 6

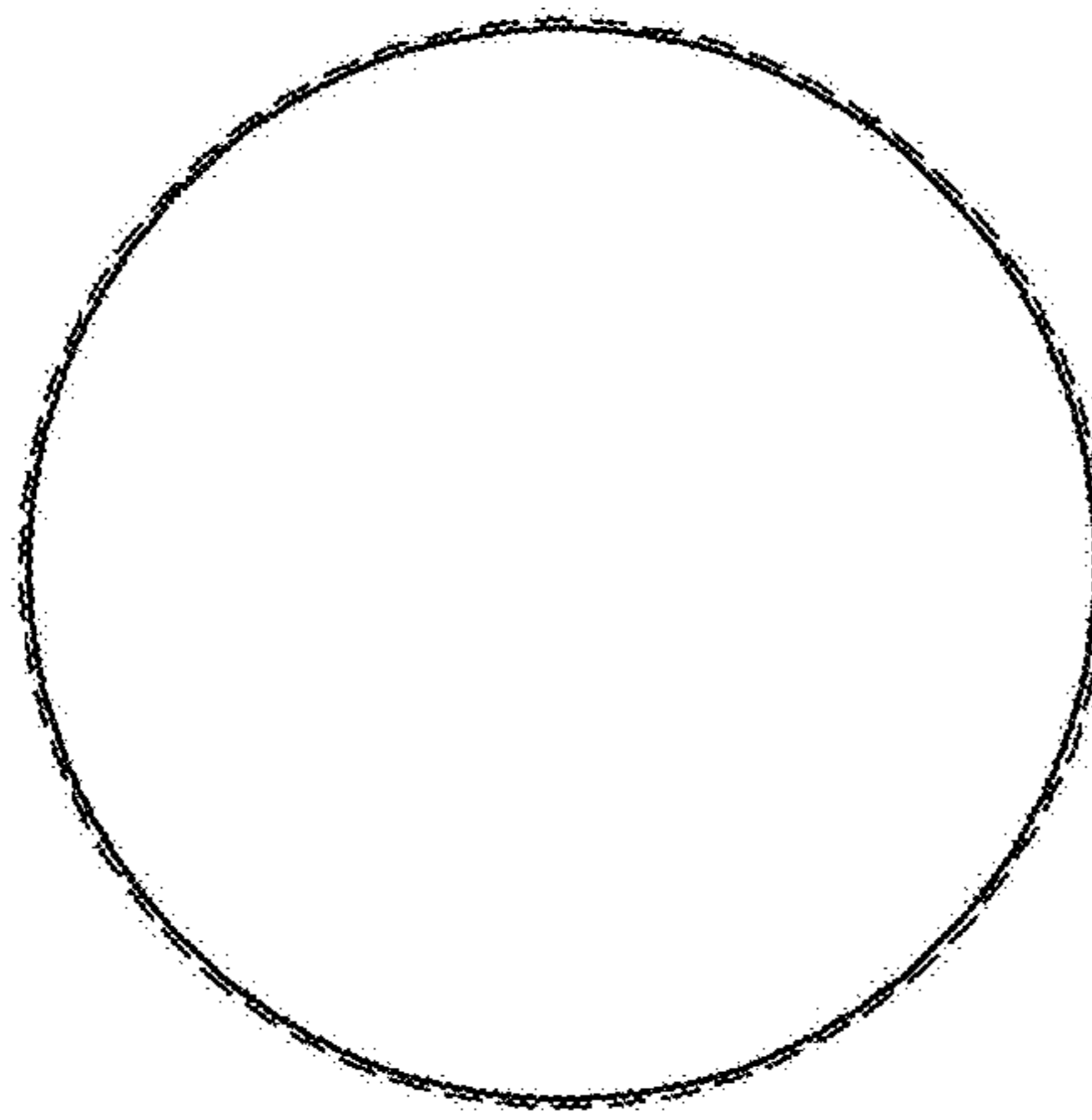


FIG. 7

