



US00D845127S

(12) **United States Design Patent** (10) **Patent No.:** **US D845,127 S**  
**Arminak** (45) **Date of Patent:** **\*\* Apr. 9, 2019**

(54) **HAND PUMP WITH FOLDING NOZZLE**

- (71) Applicant: **Armin Arminak**, Pasadena, CA (US)
- (72) Inventor: **Armin Arminak**, Pasadena, CA (US)
- (\*\*) Term: **15 Years**
- (21) Appl. No.: **29/646,168**
- (22) Filed: **May 2, 2018**

**Related U.S. Application Data**

- (63) Continuation of application No. 15/946,436, filed on Apr. 5, 2018.
- (51) **LOC (11) Cl.** ..... **09-07**
- (52) **U.S. Cl.**  
USPC ..... **D9/449**
- (58) **Field of Classification Search**  
USPC ..... D6/515, 530, 542-545; D7/387, 392, D7/392.1, 397, 398, 401.1, 589, 590; D8/14.1; D9/434-436, 439, 440, 443, D9/447-450, 454, 499, 682, 685-691; D21/720; D23/208, 213, 252, 255, 321; D28/76, 91.1  
CPC .... B05B 11/3059; B05B 11/3001; F04B 9/14; F04B 23/023  
See application file for complete search history.

(56) **References Cited**

**U.S. PATENT DOCUMENTS**

D214,883 S *	8/1969	Hazard	.....	D9/450
D217,710 S *	6/1970	Hazard	.....	D9/450
D226,806 S *	5/1973	Hazard	.....	D9/450
3,874,562 A	4/1975	Hazard		
D240,021 S *	5/1976	Lawhead	.....	D9/439

(Continued)

**FOREIGN PATENT DOCUMENTS**

GB	1466436	3/1977
JP	08038959	2/1996

(Continued)

**OTHER PUBLICATIONS**

Clare's Auntie. Its time for the #sweetup! 3 Custom Color & Mario Badescu reviews (plus action shots!)—Skincare. Jan. 27, 2011 [earliest online date], [site visited May 18, 2018]. Available from Internet, <URL:http://claresauntie.typepad.com/beauty\_school/mario-badescu/>. (Year: 2011).\*

*Primary Examiner* — George D. Kirschbaum  
*Assistant Examiner* — Darcey E Helfin  
(74) *Attorney, Agent, or Firm* — Cislo & Thomas, LLP

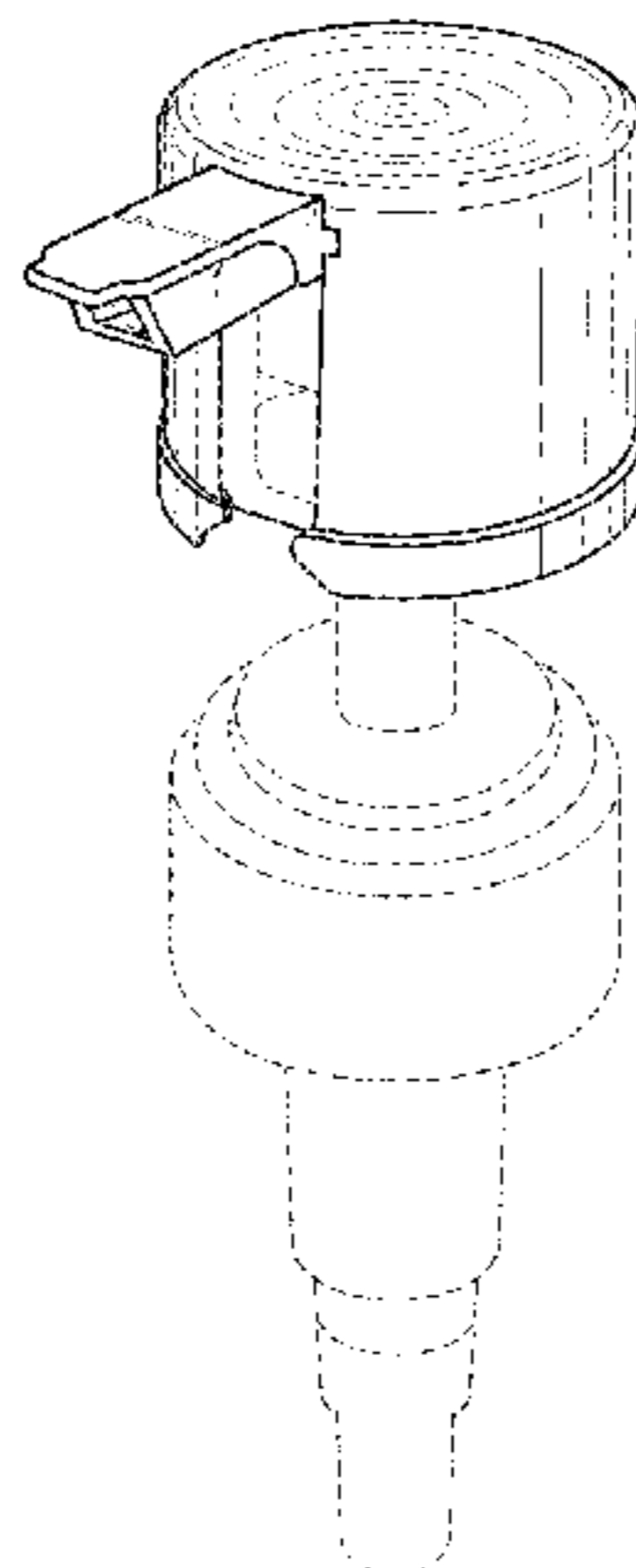
(57) **CLAIM**

The ornamental design for a hand pump with folding nozzle, as shown and described herein.

**DESCRIPTION**

FIG. 1 is a front perspective view of the hand pump with folding nozzle, showing my new design, with the nozzle in the open position;  
FIG. 2 is a rear perspective view thereof;  
FIG. 3 is a front elevation view thereof;  
FIG. 4 is a rear elevation view thereof;  
FIG. 5 is a side elevation view thereof;  
FIG. 6 is a top plan view thereof; and  
FIG. 7 is a bottom plan view thereof.  
FIG. 8 is a front perspective view of the hand pump with folding nozzle, showing my new design, with the nozzle in the closed position;  
FIG. 9 is a rear perspective view thereof;  
FIG. 10 is a front elevation view thereof;  
FIG. 11 is a rear elevation view thereof;  
FIG. 12 is a side elevation view thereof;  
FIG. 13 is a top plan view thereof; and,  
FIG. 14 is a bottom plan view thereof.  
The broken lines are for environmental purposes only and form no part of the claimed design.

**1 Claim, 10 Drawing Sheets**



(56)

**References Cited**

U.S. PATENT DOCUMENTS

4,479,589	A	10/1984	Ford	
4,819,832	A	4/1989	Lawson	
D368,223	S *	3/1996	Williamson .....	D9/435
D381,909	S *	8/1997	Sayers .....	D9/447
D381,910	S *	8/1997	Sayers .....	D9/447
D385,792	S *	11/1997	Sayers .....	D9/448
D419,877	S *	2/2000	Sayers .....	D9/448
D532,301	S *	11/2006	Moretti .....	D9/448
D539,143	S *	3/2007	Arminak .....	D9/448
7,249,692	B2	7/2007	Walters et al.	
D551,003	S *	9/2007	Leonard .....	D6/543
D590,713	S *	4/2009	Ray .....	D9/450
D611,814	S *	3/2010	Marotti .....	D9/454
D681,475	S *	5/2013	Park .....	D9/682
D720,218	S *	12/2014	Hutson .....	D9/443
D770,798	S *	11/2016	Yang .....	D6/542
D792,764	S *	7/2017	Jacobs .....	D9/448
D798,148	S *	9/2017	Bai .....	D9/448
D807,692	S *	1/2018	Yao .....	D7/392.1
D812,966	S *	3/2018	Murosky .....	D7/392.1
2010/0006606	A1	1/2010	Lee	
2018/0070780	A1 *	3/2018	Rodriguez .....	A47K 5/1201

FOREIGN PATENT DOCUMENTS

JP	10101115	4/1998
WO	2017140542	8/2017

\* cited by examiner

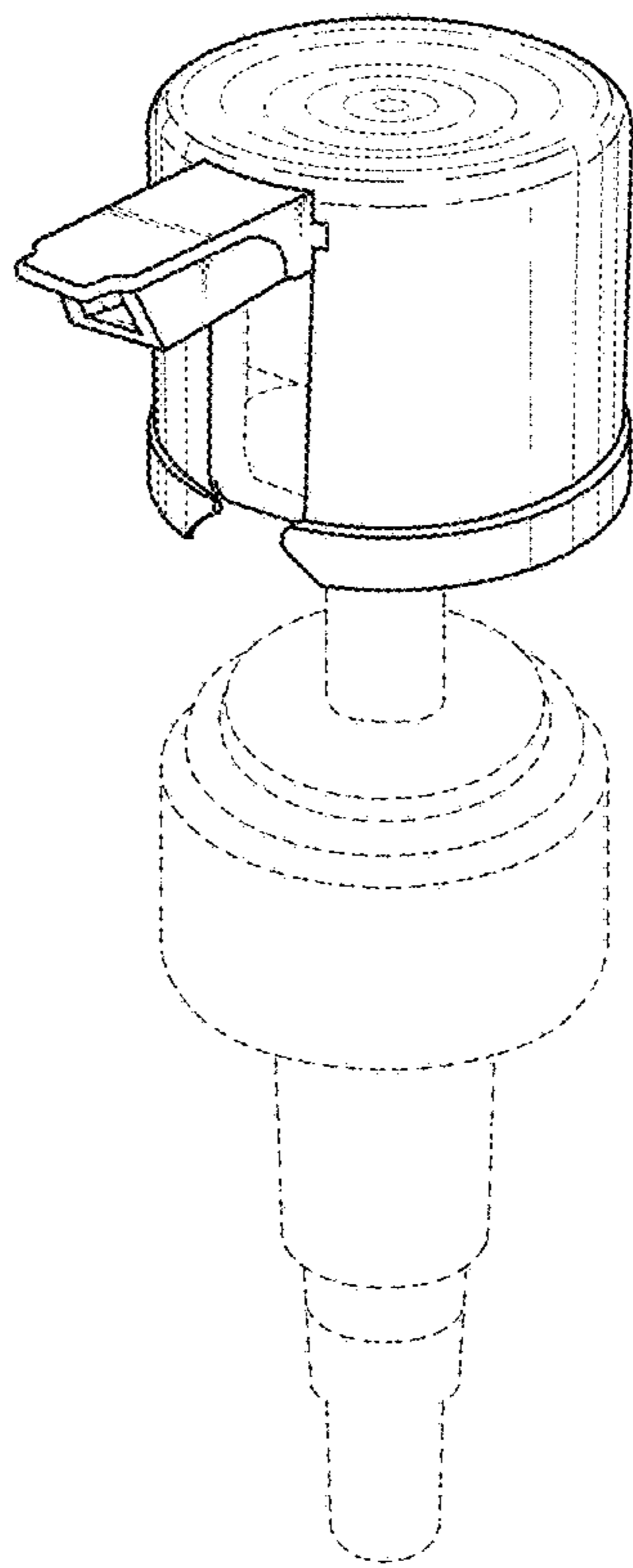


Fig. 1

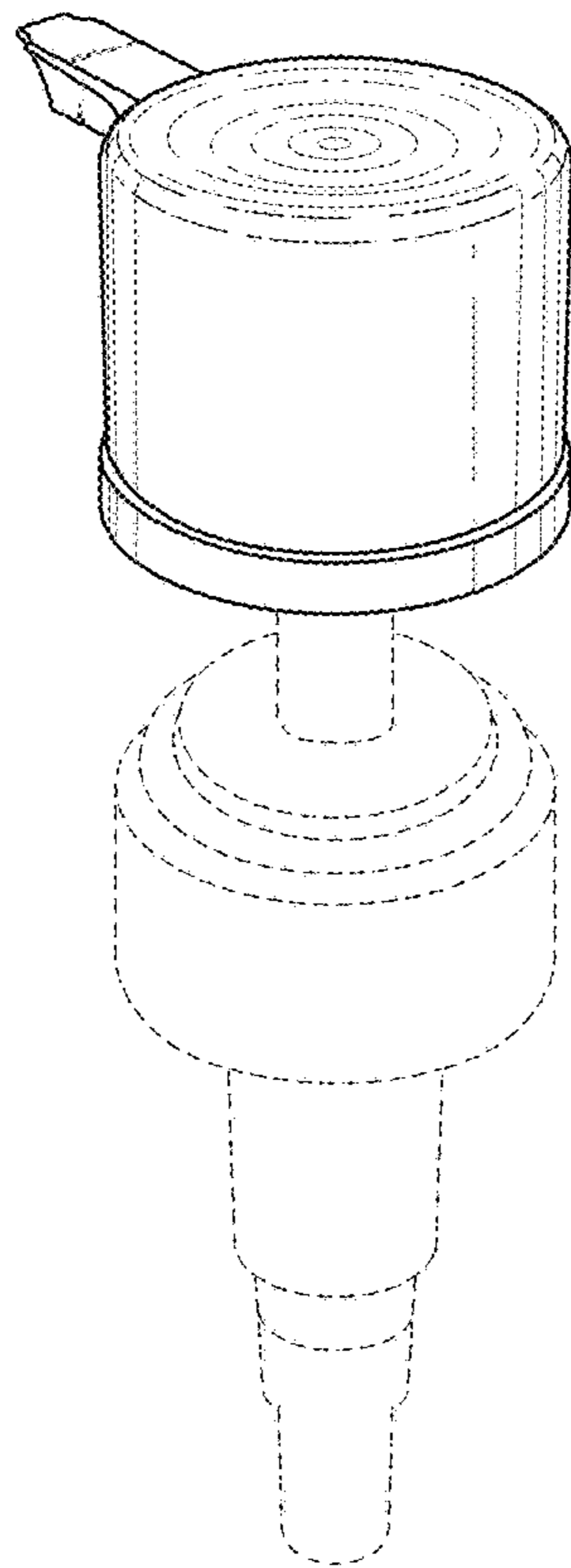


Fig. 2

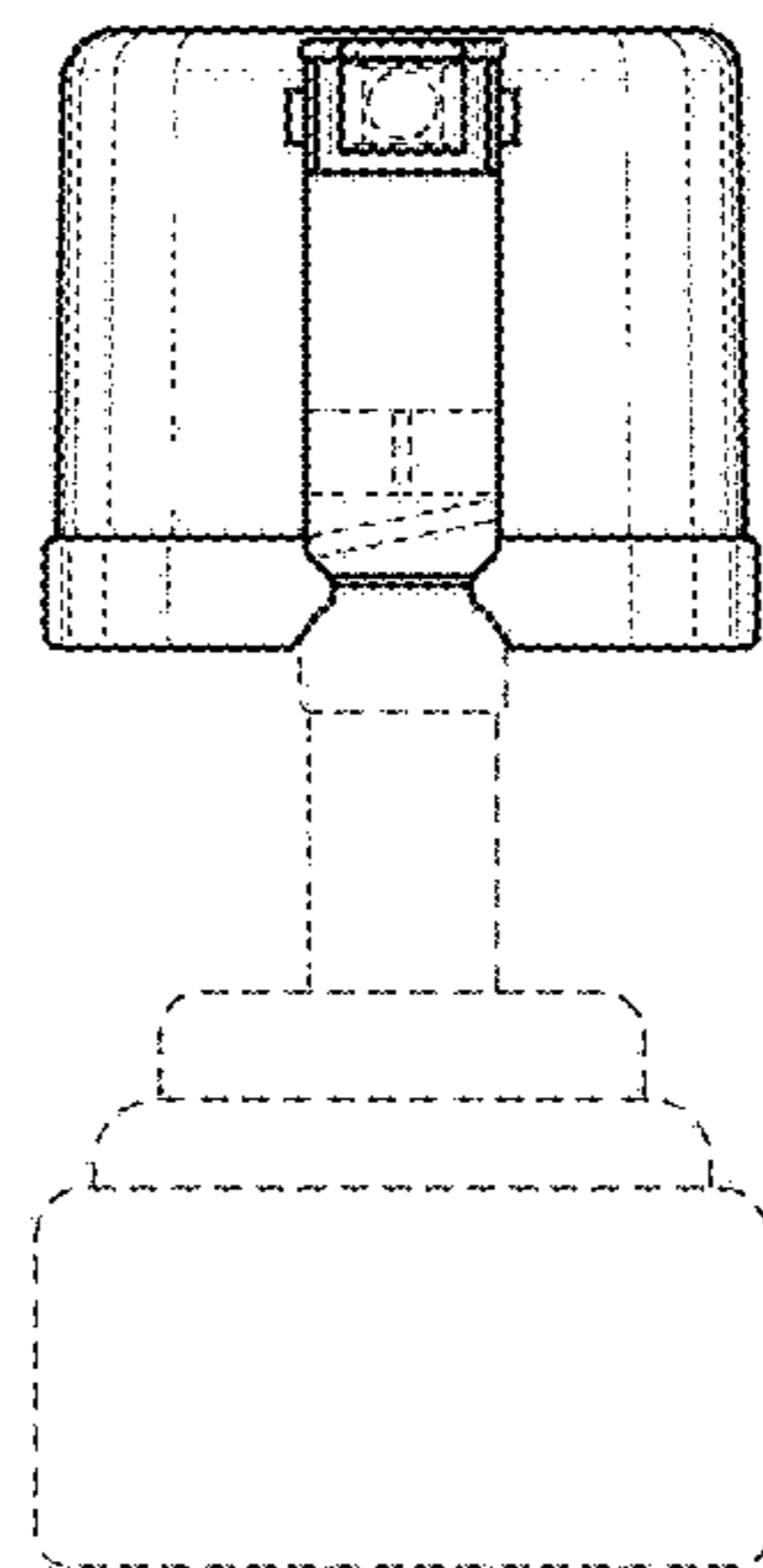


Fig. 3

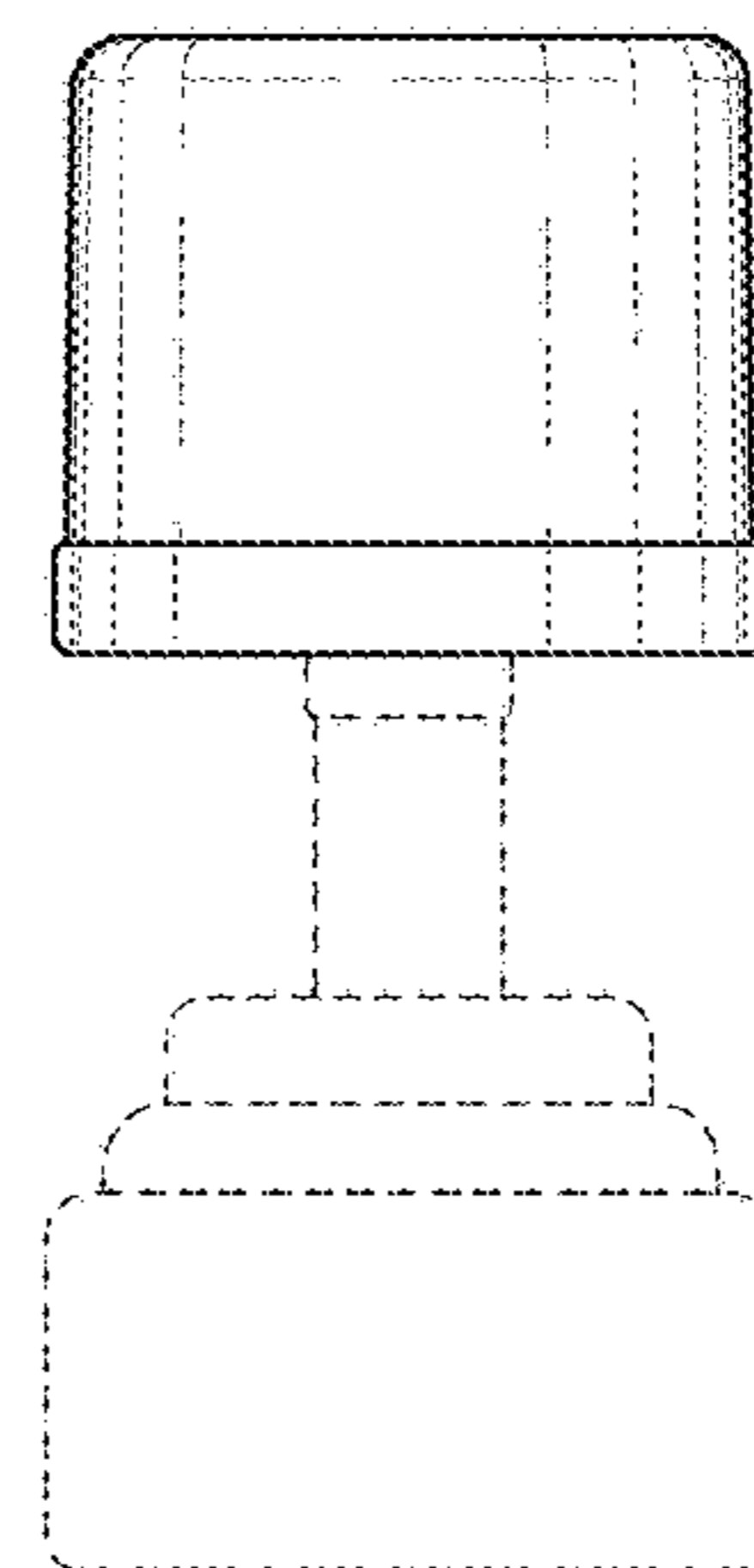


Fig. 4

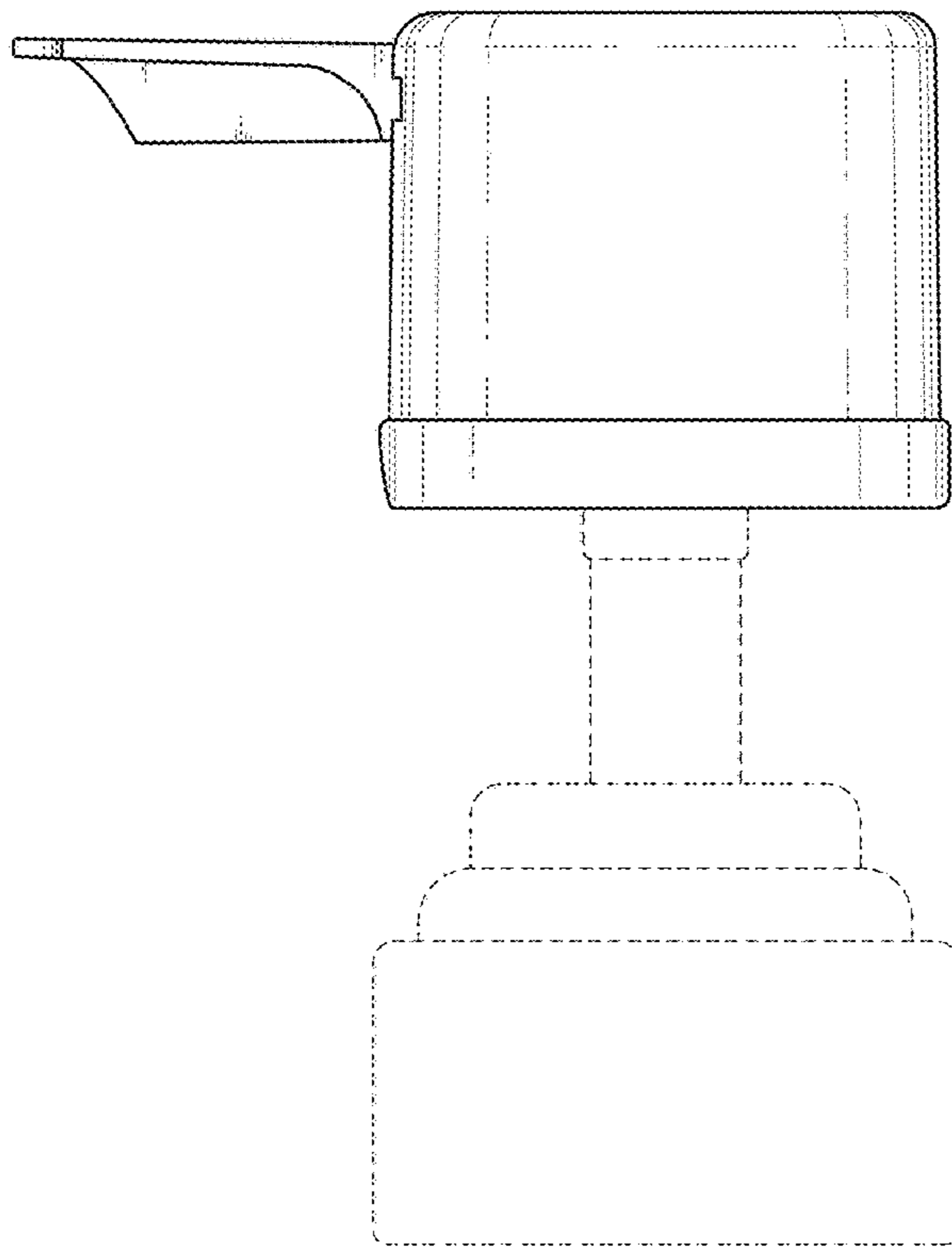


Fig. 5

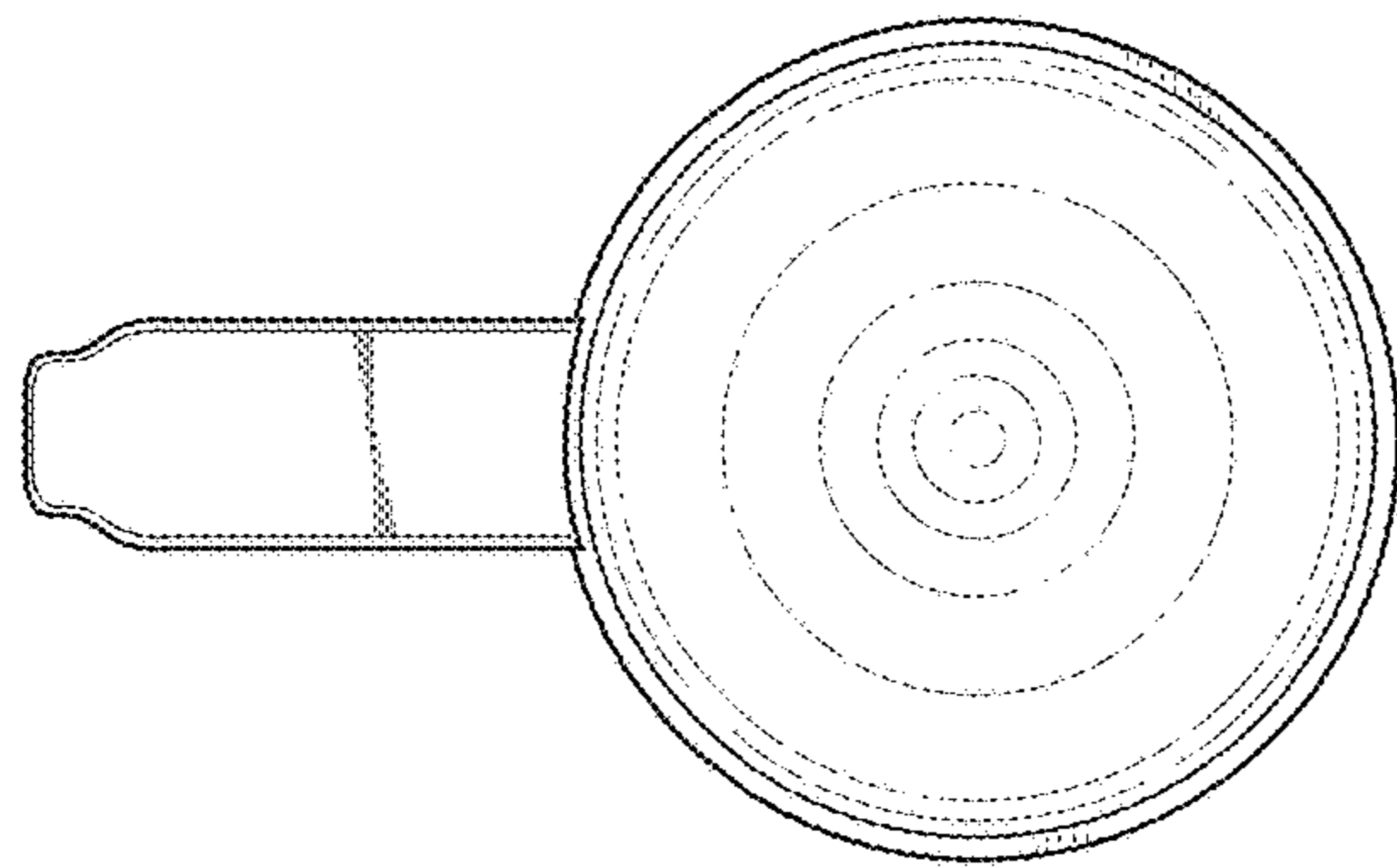


Fig. 6

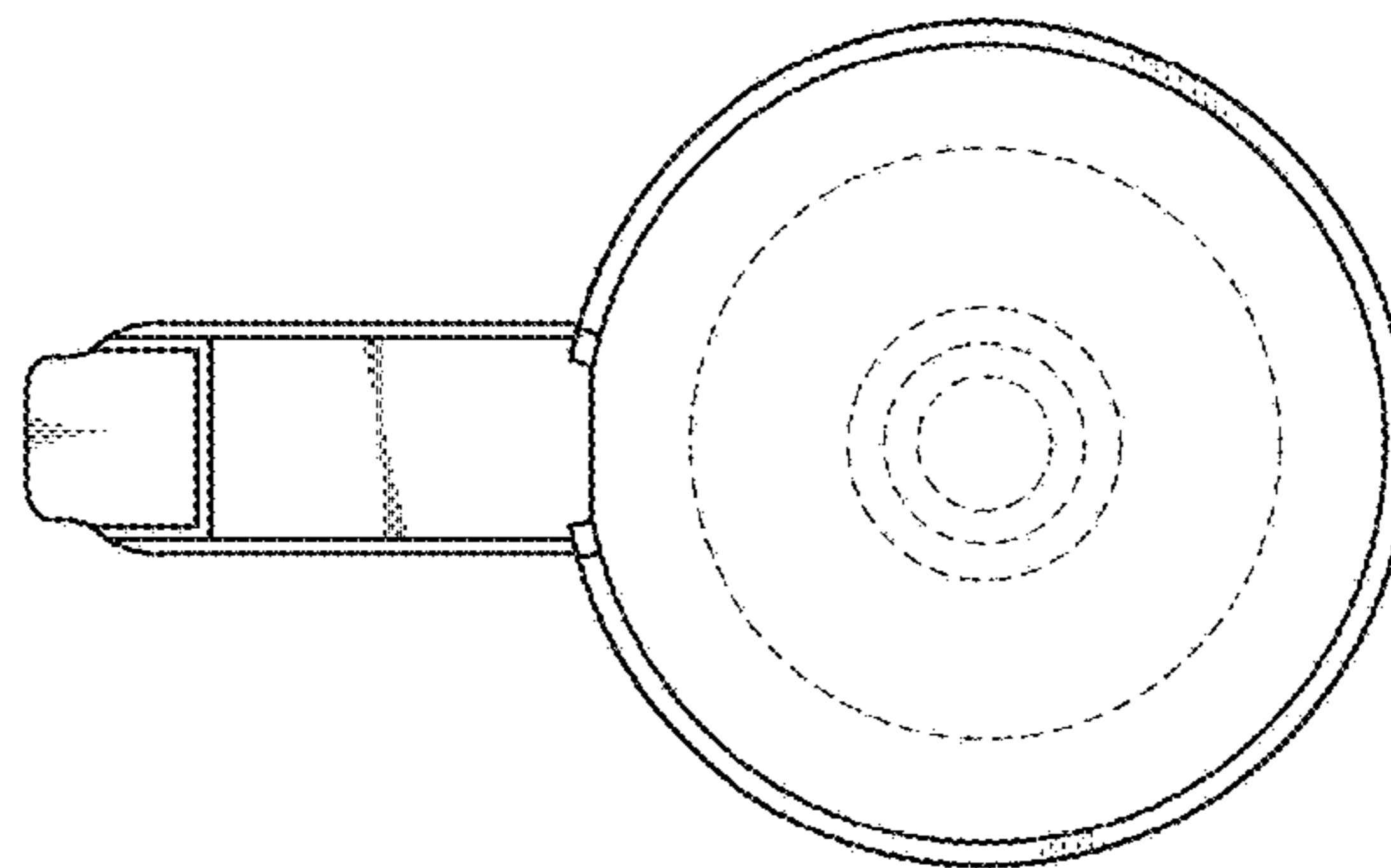


Fig. 7

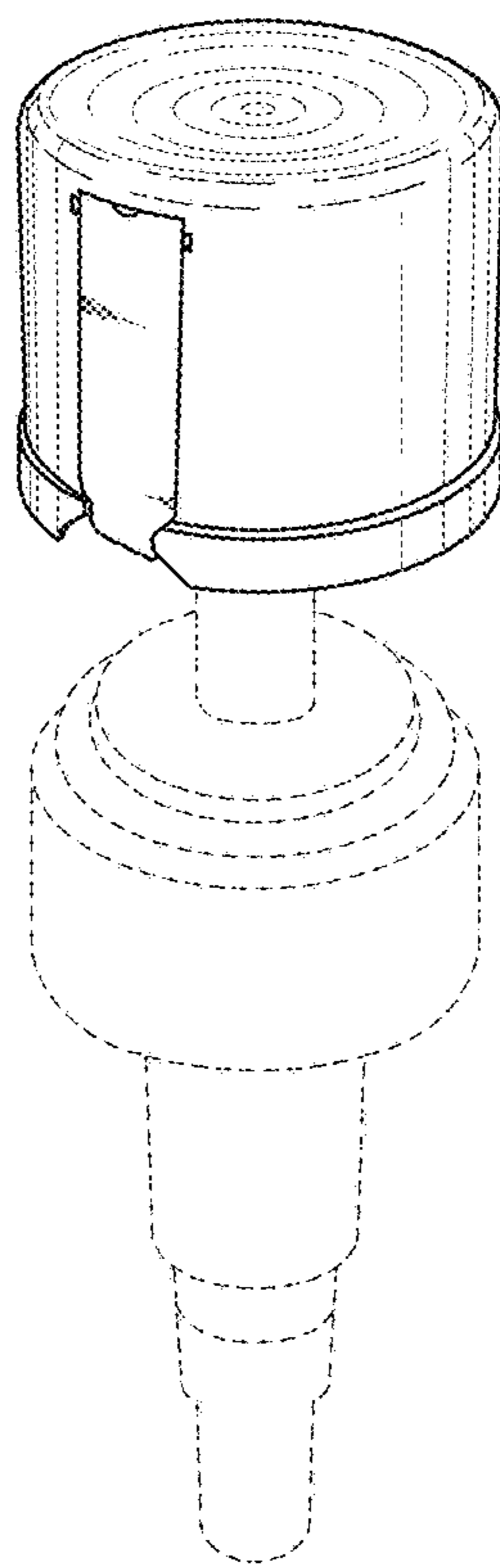


Fig. 8



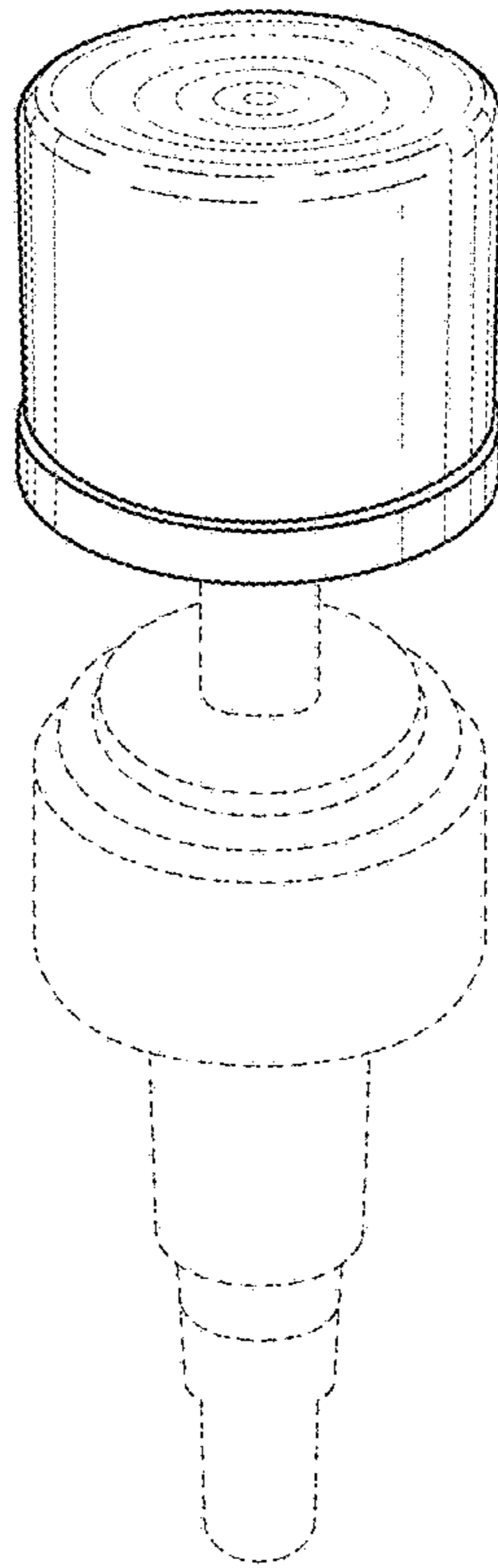


Fig. 9

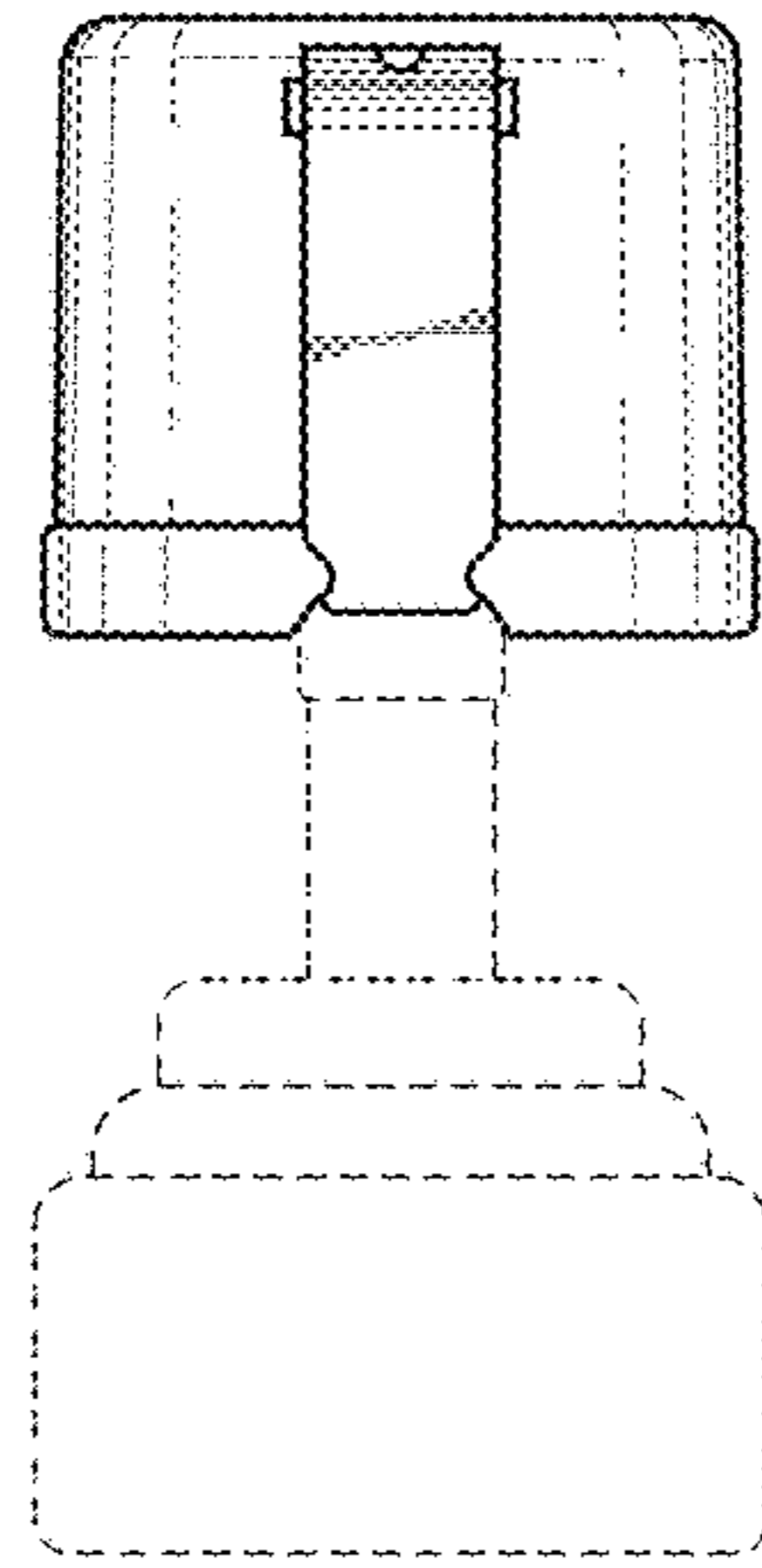


Fig. 10

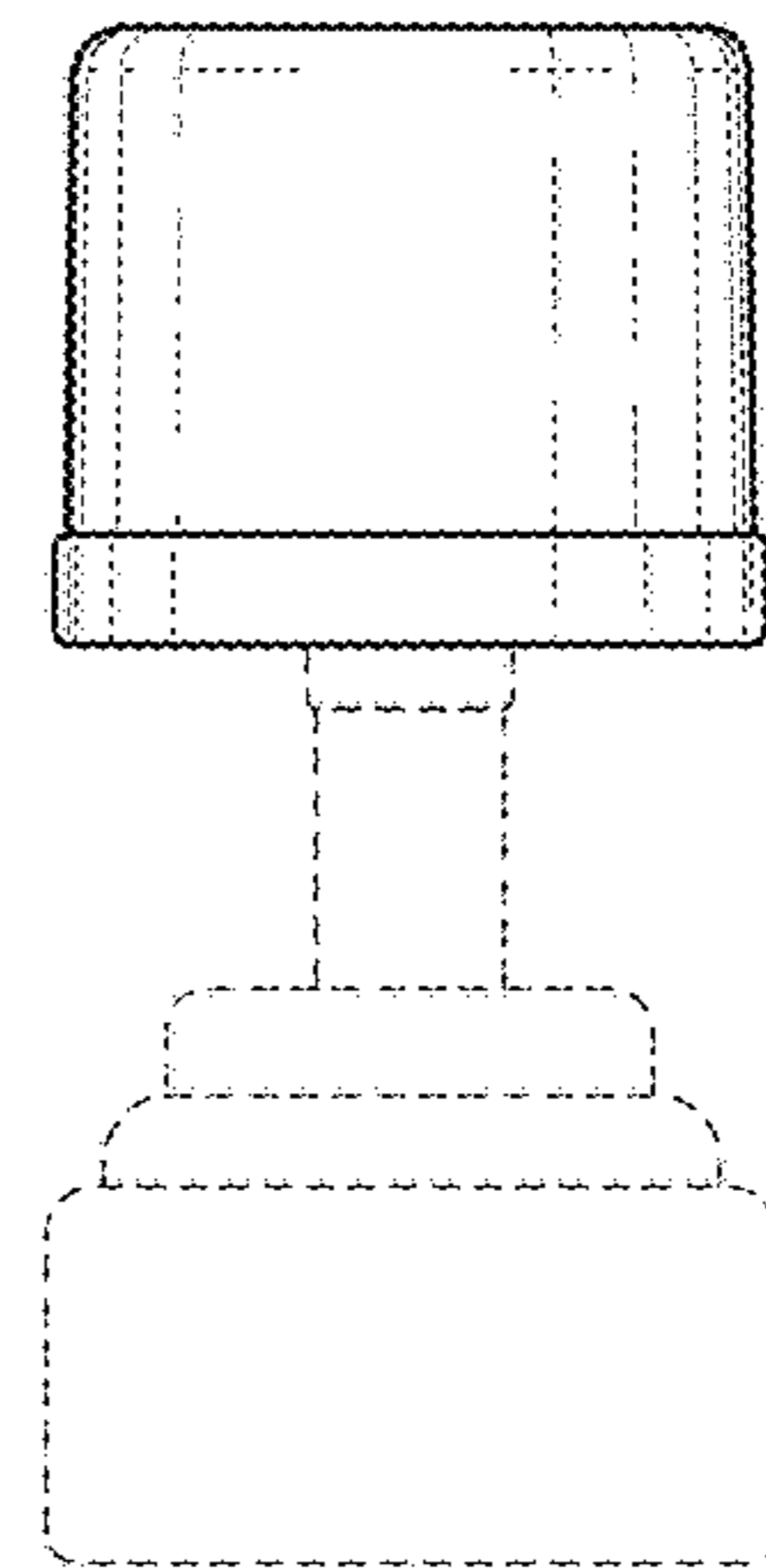


Fig.11

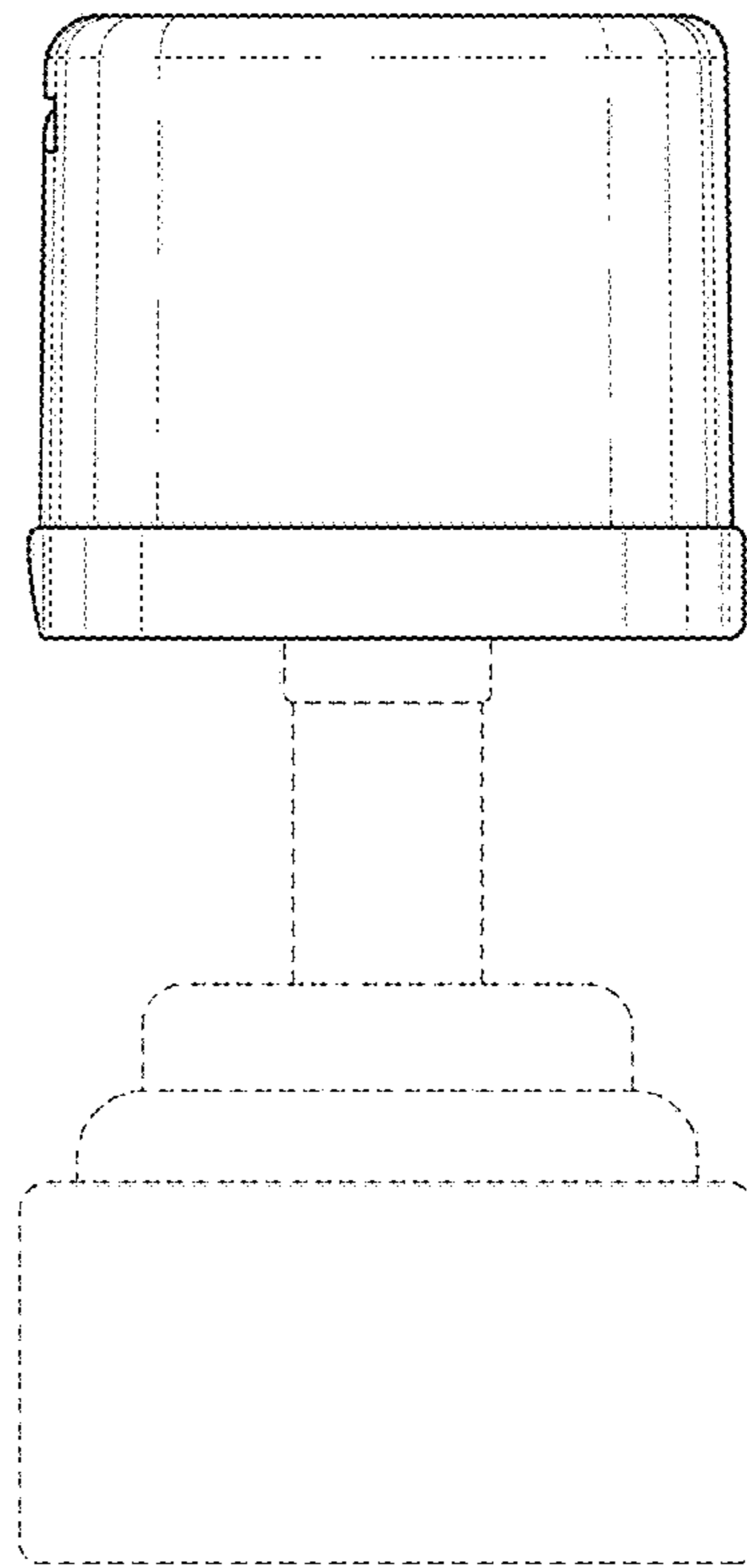


Fig.12

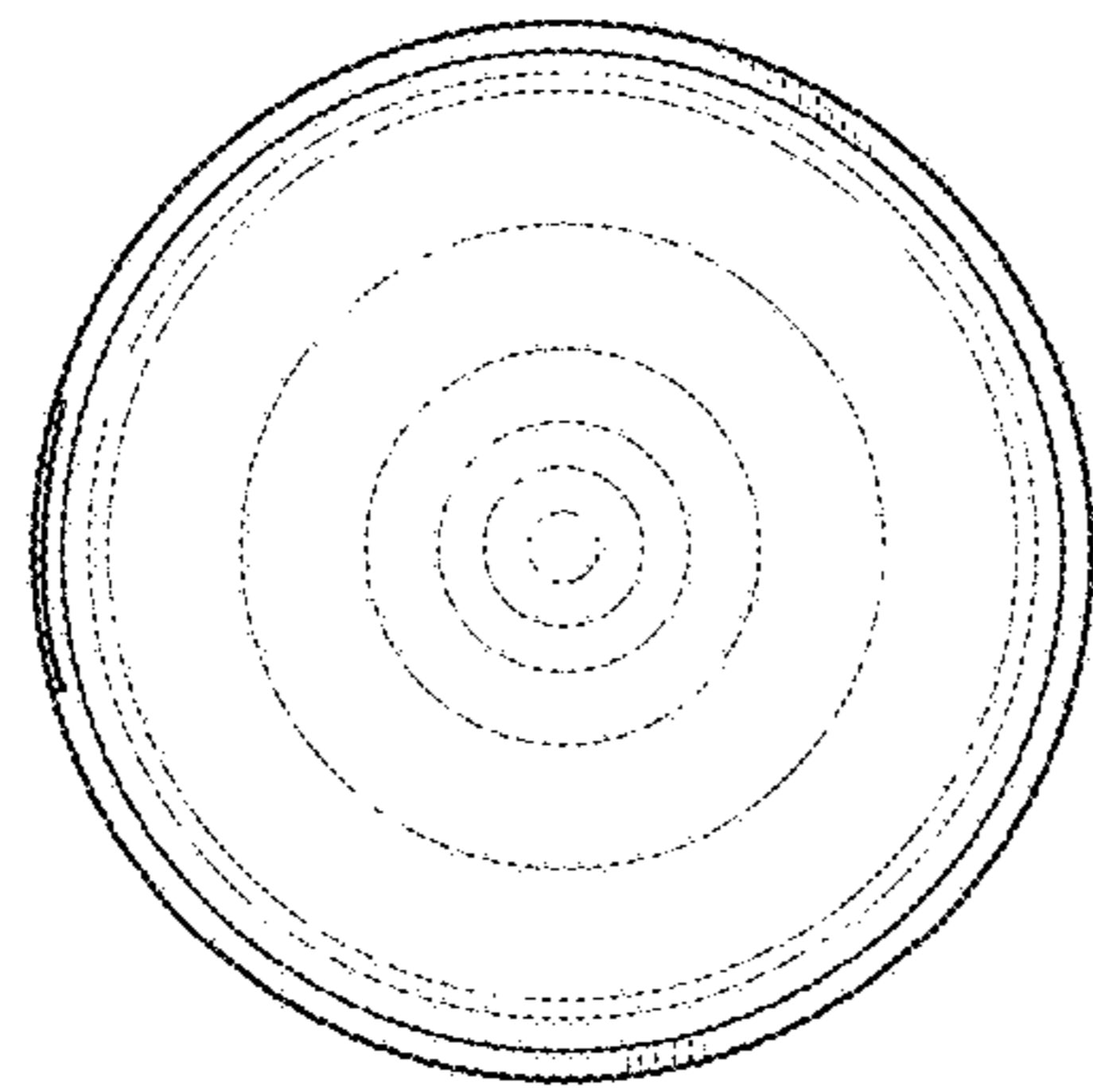


Fig. 13

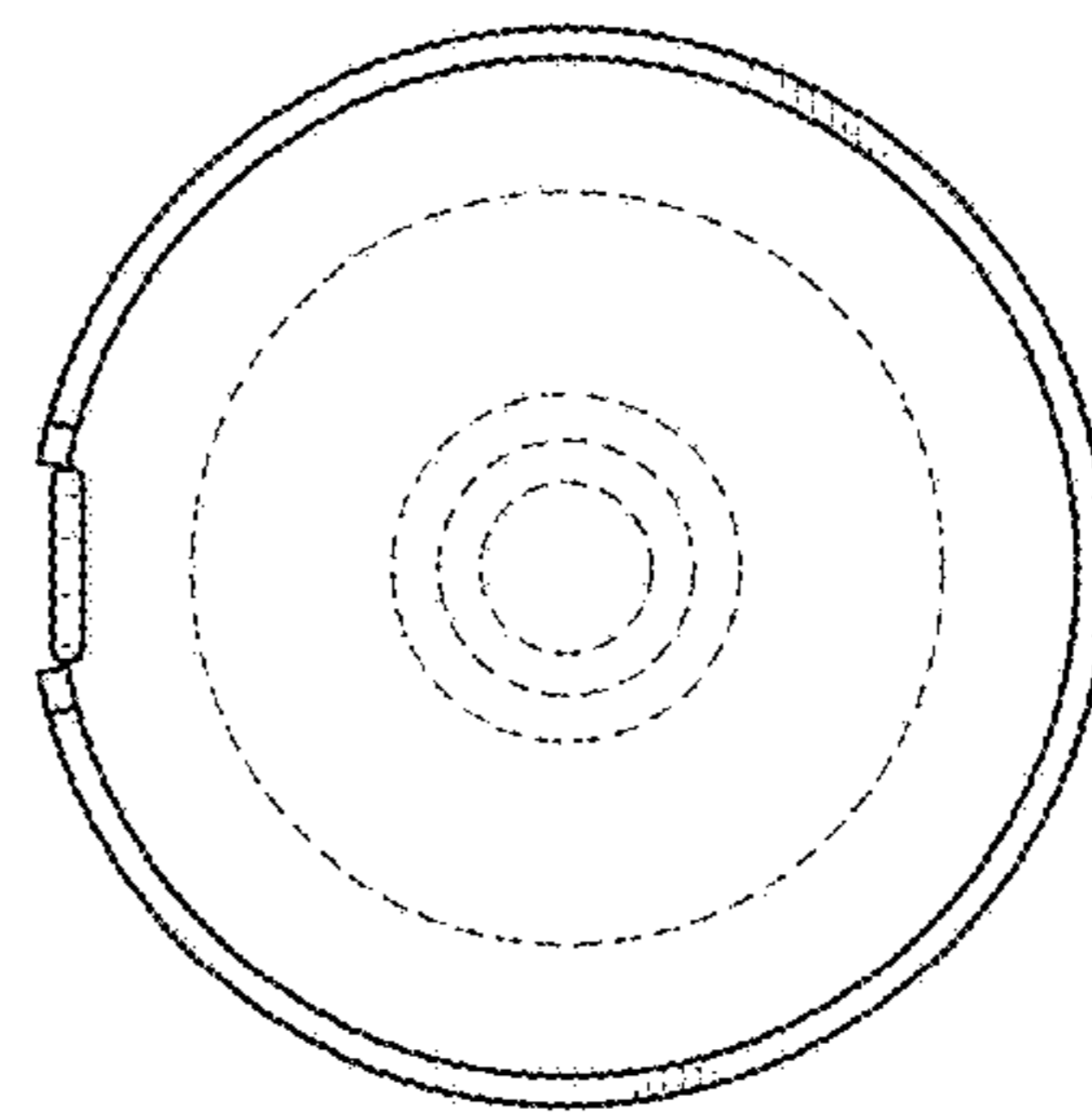


Fig. 14