



US00D845126S

(12) **United States Design Patent** (10) **Patent No.:** **US D845,126 S**  
**Prozumenshchikov** (45) **Date of Patent:** **\*\* Apr. 9, 2019**

(54) **BOTTLE CAP**  
(71) Applicant: **Andrey Prozumenshchikov**, Moscow (RU)  
(72) Inventor: **Andrey Prozumenshchikov**, Moscow (RU)  
(\*\*) Term: **15 Years**  
(21) Appl. No.: **29/638,928**  
(22) Filed: **Mar. 1, 2018**  
(51) **LOC (11) Cl.** ..... **09-07**  
(52) **U.S. Cl.**  
USPC ..... **D9/439; D9/453**  
(58) **Field of Classification Search**  
USPC ..... D9/414, 416, 425, 434, 435, 436, 438, D9/439, 440, 442, 443, 446-450, D9/452-457, 499, 503-505, 682, 685, D9/686; D7/387, 391, 392, 392.1, 393, D7/394, 396.1-396.4, 401.1, 503-505, D7/509-511, 538, 900; D3/201, 202, D3/203.2, 318; D28/91, 91.1  
CPC .. A61J 1/00; A61J 1/1412; B65D 1/00; B65D 1/02; B65D 1/10; B65D 1/46; B65D 2585/56; B65D 2585/545; B65D 41/00; B65D 41/38; B65D 41/56; B65D 41/62; B65D 47/00; B65D 47/06; B65D 47/08; B65D 2543/00046; B65D 2543/00092; B65D 2543/00296; B65D 5/46; B65D 2251/00  
See application file for complete search history.

D233,507 S \* 11/1974 Stevens, Jr. .... D8/312  
D264,054 S \* 4/1982 Kieber ..... D9/453  
D286,620 S \* 11/1986 Schneider ..... D9/435  
D301,117 S \* 5/1989 Baxter ..... D24/224  
D396,007 S \* 7/1998 Palestrant ..... D9/447  
D420,589 S \* 2/2000 Baxter ..... D9/439  
7,114,625 B2 \* 10/2006 Jones ..... B65D 41/0414  
215/318  
D548,081 S \* 8/2007 Noonan ..... D9/453  
D620,358 S \* 7/2010 Jewett ..... D9/439  
D631,351 S \* 1/2011 Coon ..... D9/453  
D639,657 S \* 6/2011 Hoyt ..... D9/439  
D666,495 S \* 9/2012 Biesecker ..... D9/445  
D695,115 S \* 12/2013 Juna ..... D9/447  
D704,554 S \* 5/2014 Baird ..... D9/435  
D708,945 S \* 7/2014 Jetmar ..... D9/439  
D729,063 S \* 5/2015 Koop ..... D9/439  
D754,537 S 4/2016 Prozumenshchikov  
D768,492 S \* 10/2016 Kim ..... D9/434  
D826,046 S \* 8/2018 Niles ..... D9/439

\* cited by examiner

*Primary Examiner* — Michael A. Pratt  
*Assistant Examiner* — Wendy L Arminio  
(74) *Attorney, Agent, or Firm* — John Alunit

(57) **CLAIM**

I claim the ornamental design for a bottle cap, as shown and described.

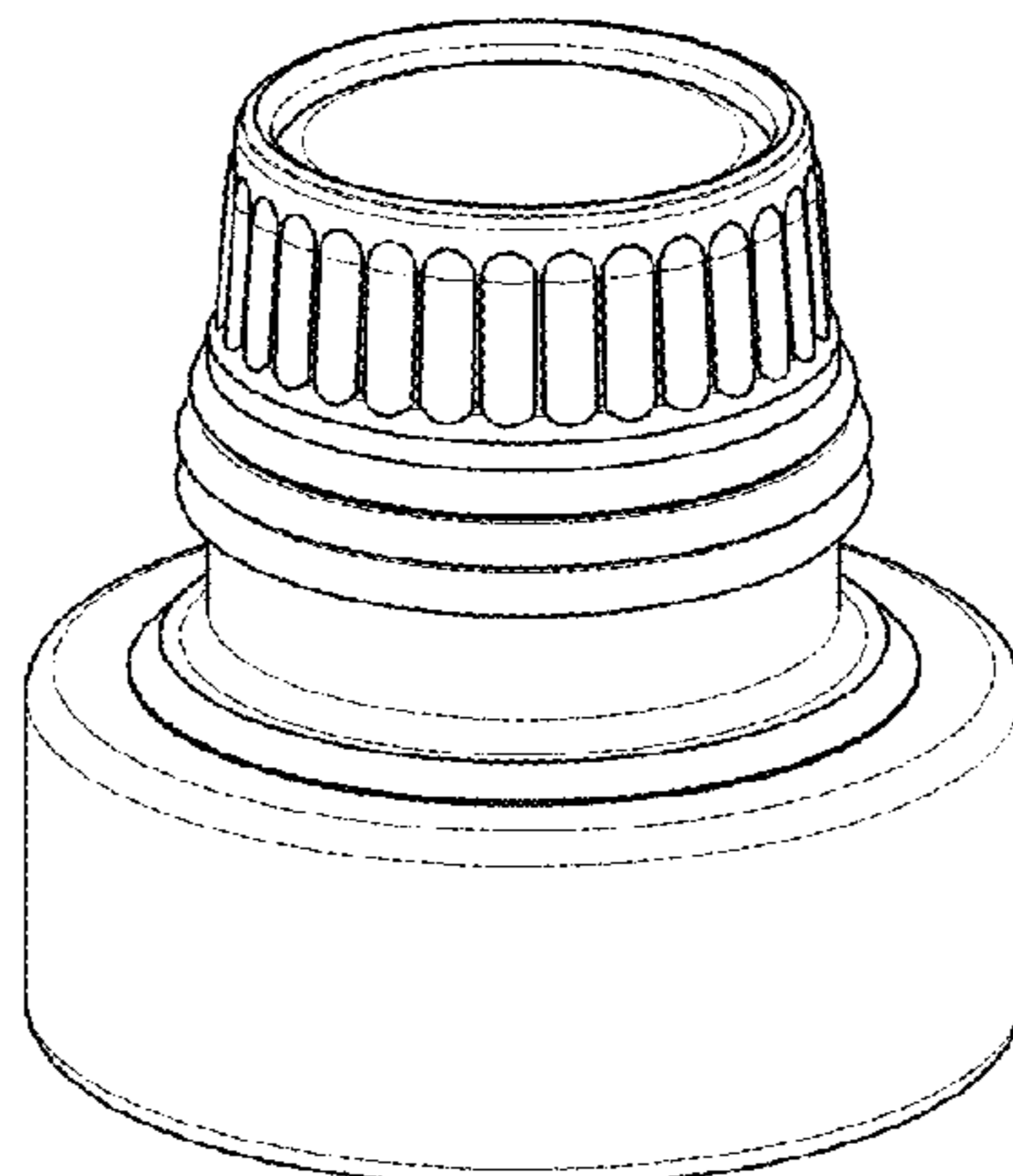
**DESCRIPTION**

FIG. 1 is a side view of a bottle cap according to the new design.  
FIG. 2 is a top view of the bottle cap according to the new design.  
FIG. 3 is a perspective view of the bottle cap according to the new design; and,  
FIG. 4 is a bottom view of the bottle cap according to the new design.

**1 Claim, 4 Drawing Sheets**

(56) **References Cited**  
U.S. PATENT DOCUMENTS

D27,780 S \* 10/1897 Estes ..... D9/439  
D223,812 S \* 6/1972 Long ..... D9/453



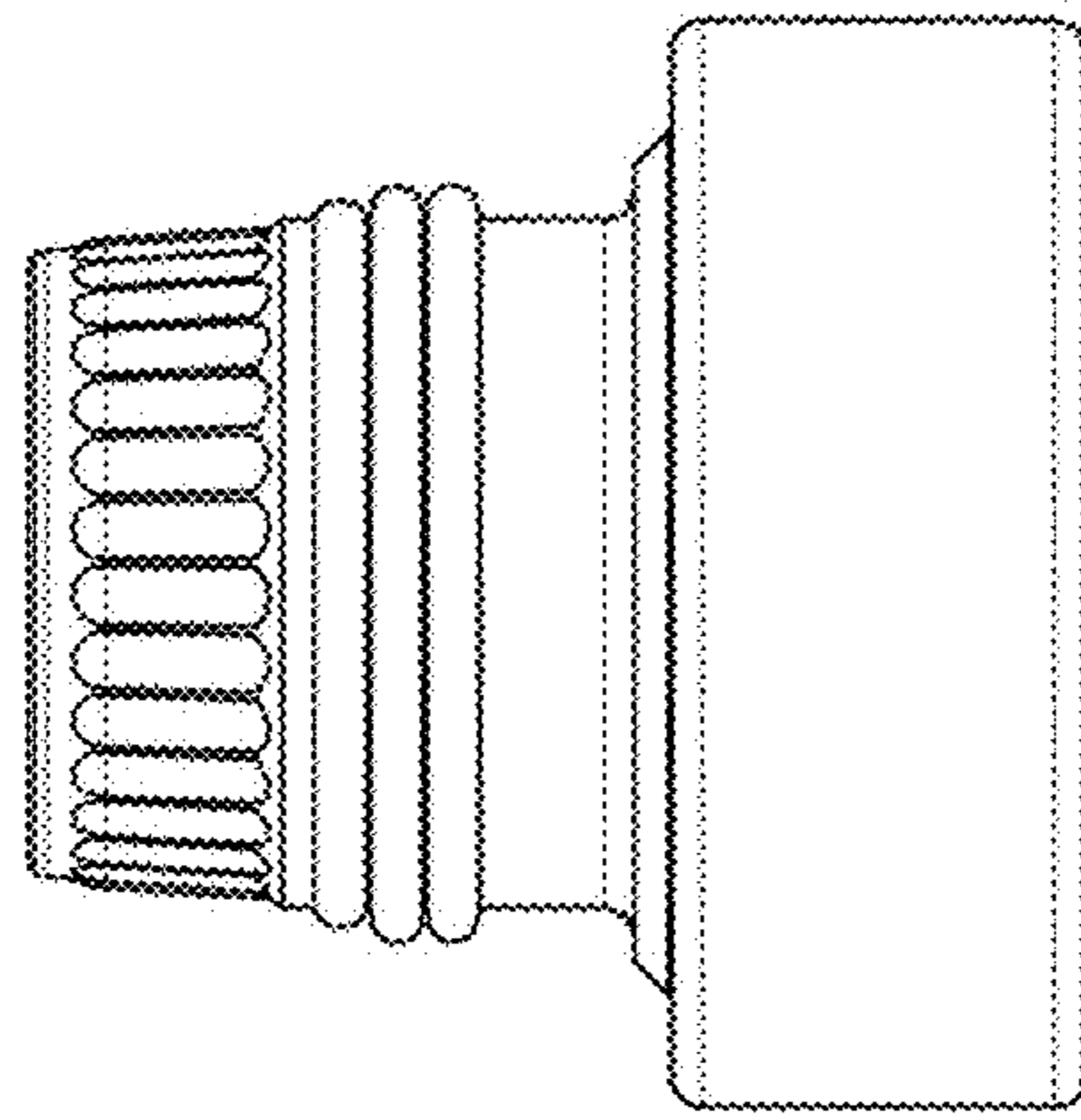


Fig. 1

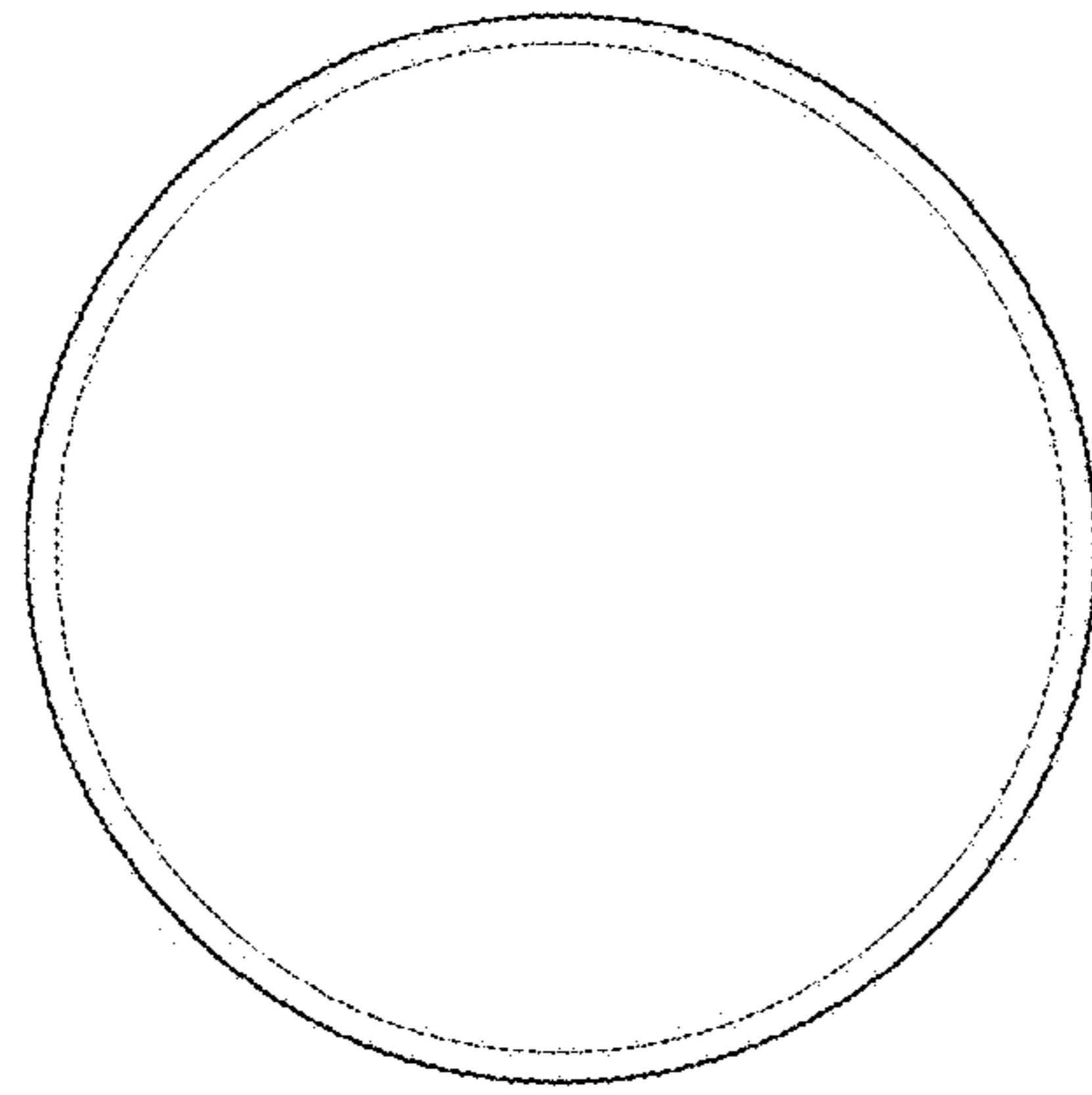


Fig. 2

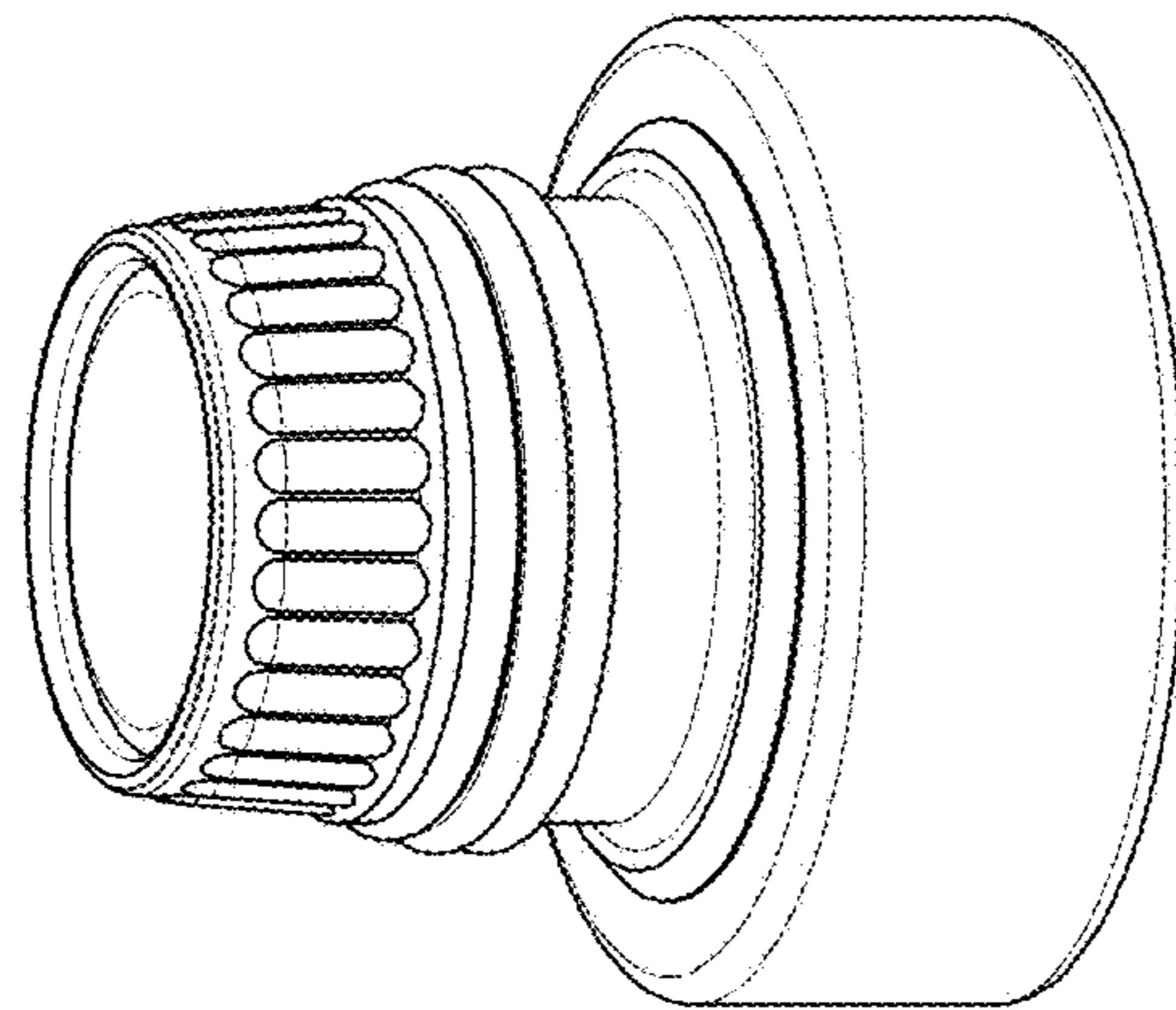


Fig. 3

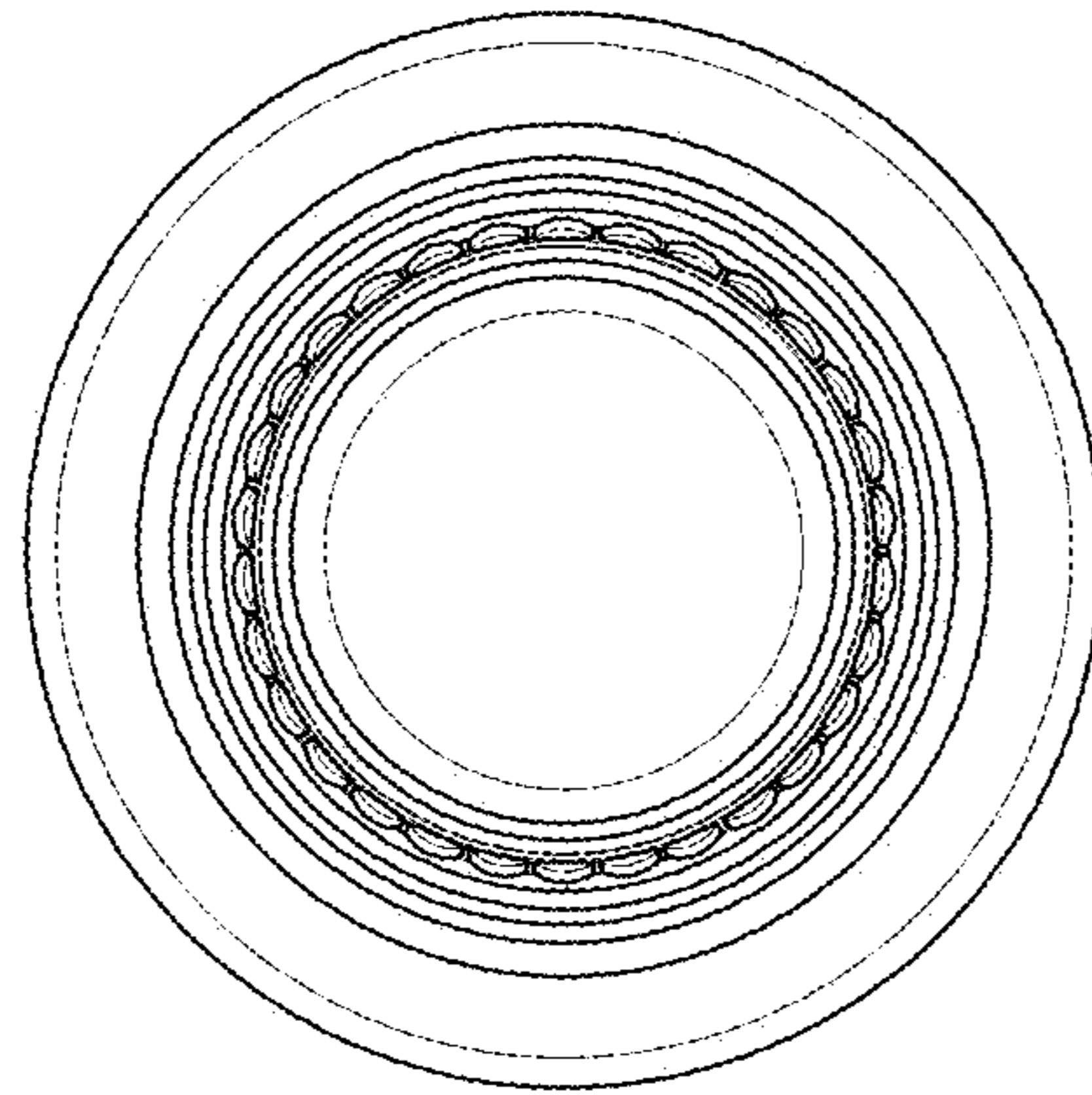


Fig. 4