



US00D845125S

(12) **United States Design Patent**
Patterson

(10) **Patent No.:** **US D845,125 S**

(45) **Date of Patent:** **** Apr. 9, 2019**

(54) **CONTAINER LID**

B65D 2543/00277; B65D 81/3453; A47G
19/02; A47G 19/065; A47G 23/0608;
A47G 23/06

(71) Applicant: **YourGreen2Go, Inc.**, Spring, TX (US)

See application file for complete search history.

(72) Inventor: **Scott Patterson**, Spring, TX (US)

(73) Assignee: **YourGreen2Go Inc.**, Spring, TX (US)

(56) **References Cited**

(**) Term: **15 Years**

U.S. PATENT DOCUMENTS

(21) Appl. No.: **29/613,212**

(22) Filed: **Aug. 8, 2017**

(51) **LOC (11) Cl.** **09-03**

(52) **U.S. Cl.**
USPC **D9/435**; D3/323

(58) **Field of Classification Search**

USPC D9/341, 347, 414-432, 440, 444, 447,
D9/449-454, 503, 504, 737, 759, 761,
D9/456, 435; D7/672, 601, 550.1, 551.1,
D7/551.2, 551.3, 552.1, 552.2, 553.1,
D7/553.2, 553.4, 553.5, 553.7, 553.8,
D7/554.1, 554.3, 555, 557, 602, 629, 630,
D7/538-542, 612-615, 584, 586, 587,
D7/392.1, 709, 502, 608, 622, 701, 703,
D7/543-549, 317-319, 391, 392, 396.2,
D7/510, 511; D3/273, 201-206, 276,
D3/283, 284, 295, 274, 302, 318, 323;
D11/143; 220/575, 500, 505-507, 523,
220/553, 555, 556; 206/216, 217,
206/541-550, 518, 557, 558, 561, 564,
206/223, 467; 229/107, 406, 120,
229/125.17; 249/126, 134; 426/106;
215/211, 200, 224, 243
CPC B65D 85/34; B65D 85/345; B65D 43/161;
B65D 43/162; B65D 43/16; B65D 51/28;
B65D 2543/00194; B65D 2543/00296;
B65D 1/24; B65D 21/0237; B65D
2543/00101; B65D 2543/00351; B65D
1/36; B65D 2543/00555; B65D
2581/3425; B65D 25/04; B65D 43/0218;
B65D 2543/00083; B65D 2543/00268;

D270,346	S	*	8/1983	Smith	D13/182
D365,986	S	*	1/1996	Holsken	D9/435
5,706,951	A	*	1/1998	Oinuma	H01L 21/67366 206/592
D504,563	S	*	5/2005	Broussard	D3/20
D523,338	S	*	6/2006	Hoge	D9/456
D596,935	S	*	7/2009	Golota	D9/420
D629,310	S	*	12/2010	Tran	D9/418
8,573,397	B1	*	11/2013	Fager	B65D 71/14 206/320
8,752,701	B2	*	6/2014	Jacobs	A61N 5/1027 206/370

(Continued)

Primary Examiner — Cathron C Brooks

Assistant Examiner — W. A. Teddy Falloway

(74) *Attorney, Agent, or Firm* — Dossey & Jones, PLLC;
Phillip Black

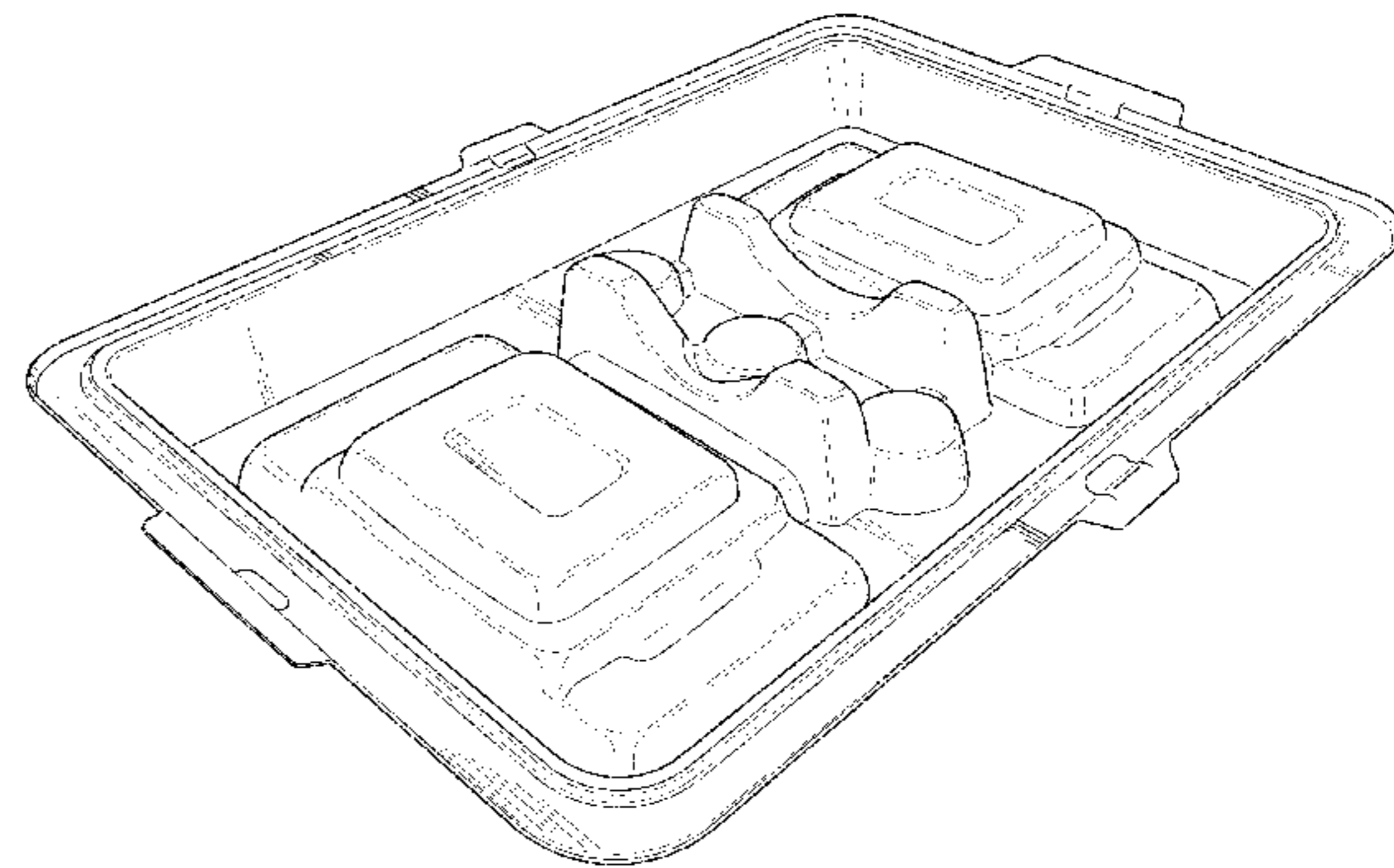
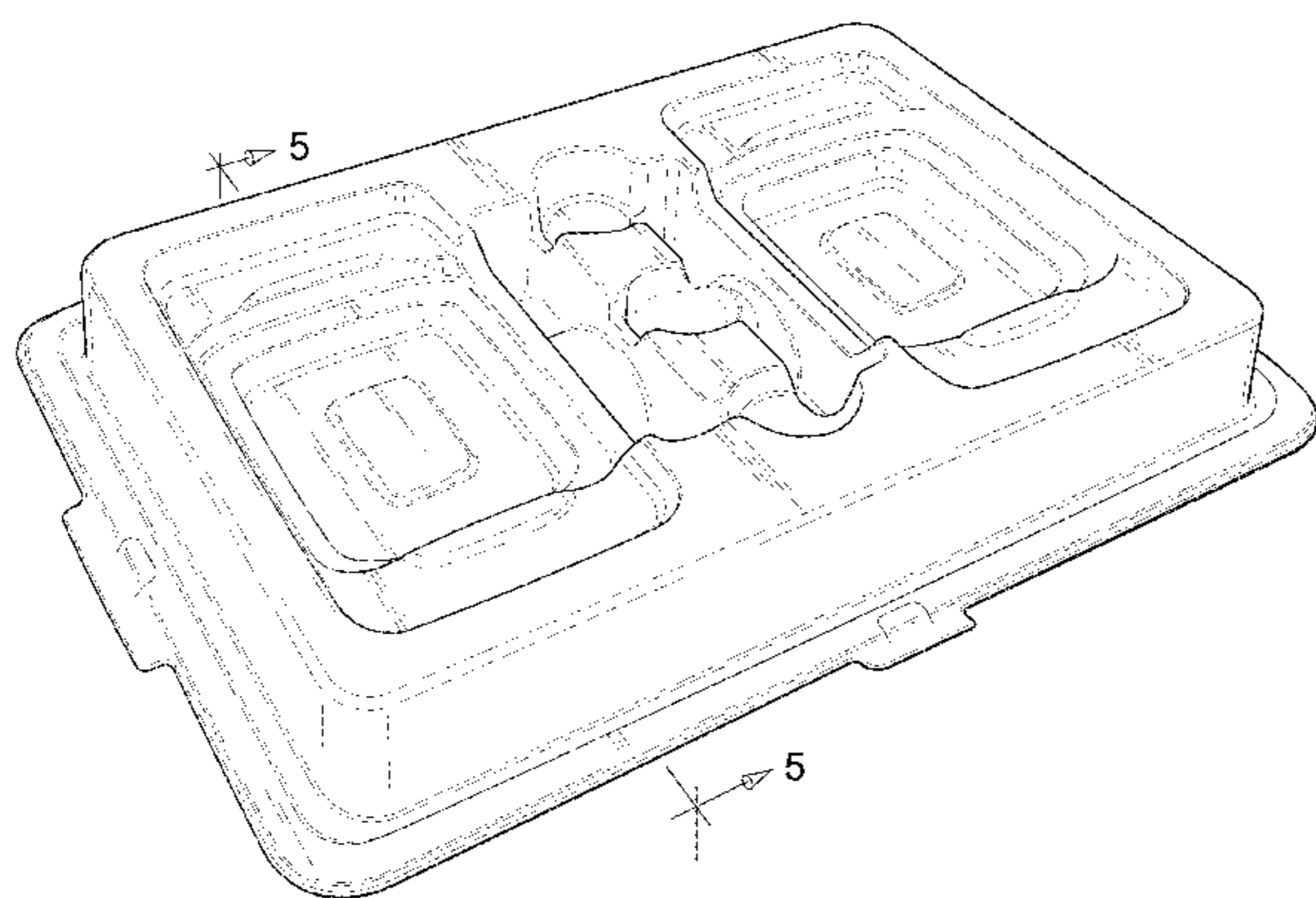
(57) **CLAIM**

The ornamental design for a container lid, as shown and described.

DESCRIPTION

FIG. 1 is a top perspective view of a container lid;
FIG. 2 is a top plan view thereof;
FIG. 3 is a right side view thereof, the left side view being a mirror image thereof;
FIG. 4 is a front side view thereof, the back side view being a mirror image thereof;
FIG. 5 is a cross-sectional view thereof, taken along and in the direction of line 5-5 of FIG. 1; and,
FIG. 6 is a bottom perspective view thereof.

1 Claim, 4 Drawing Sheets



(56)

References Cited

U.S. PATENT DOCUMENTS

D715,148 S * 10/2014 Kuo D9/456
D723,943 S * 3/2015 Kim D18/43
D782,332 S * 3/2017 Kim D9/456
D786,073 S * 5/2017 Hutcheson, Jr. D22/134
D833,149 S * 11/2018 Sofy D3/323
D833,301 S * 11/2018 Liu D9/737
2012/0193261 A1* 8/2012 Begim B65D 81/058
206/521
2013/0240403 A1* 9/2013 Shih B65D 81/133
206/591
2014/0027337 A1* 1/2014 Marchetti B65D 81/05
206/521
2015/0284129 A1* 10/2015 Lindley 206/557
2018/0215504 A1* 8/2018 Liu B65D 11/20

* cited by examiner

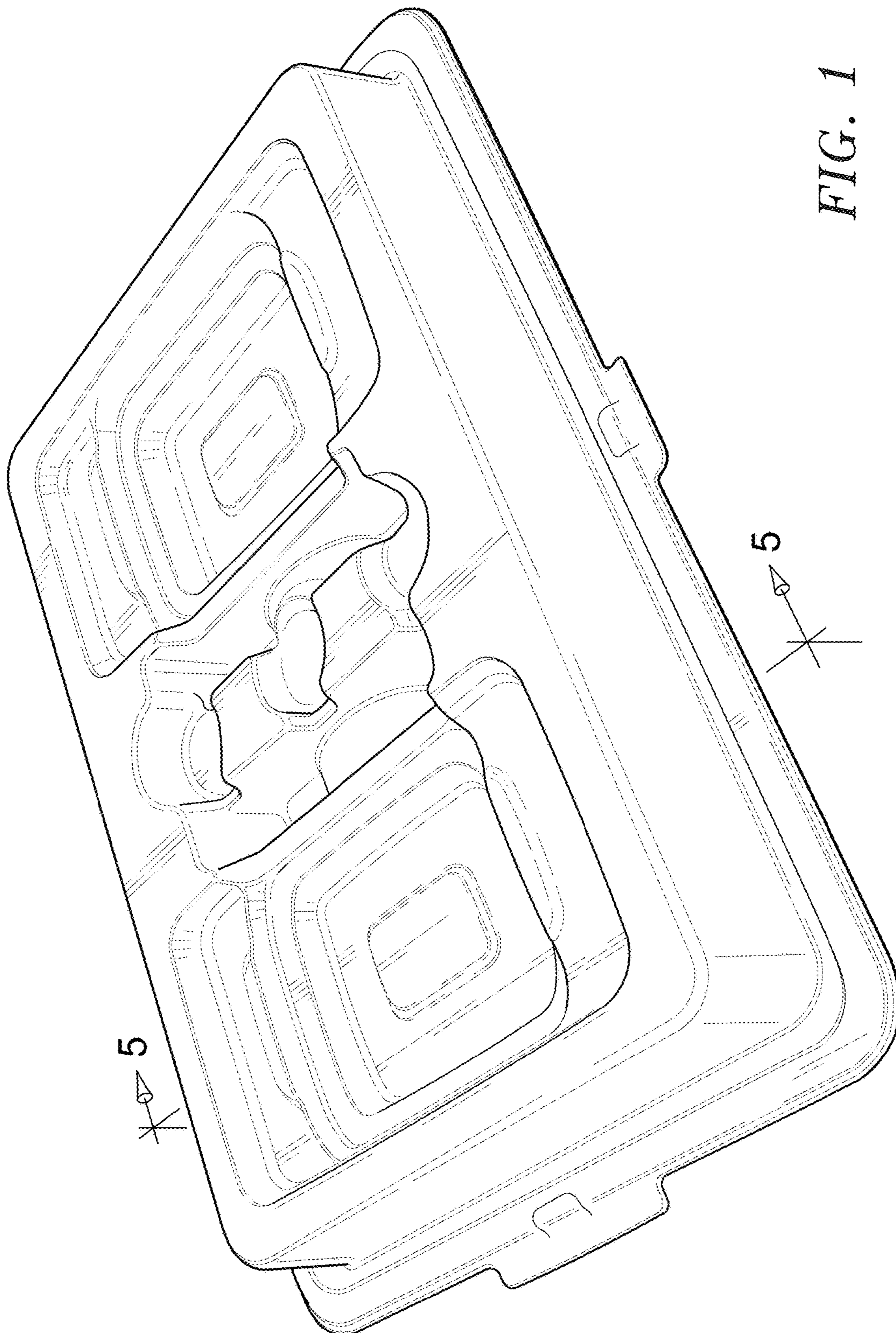


FIG. 1

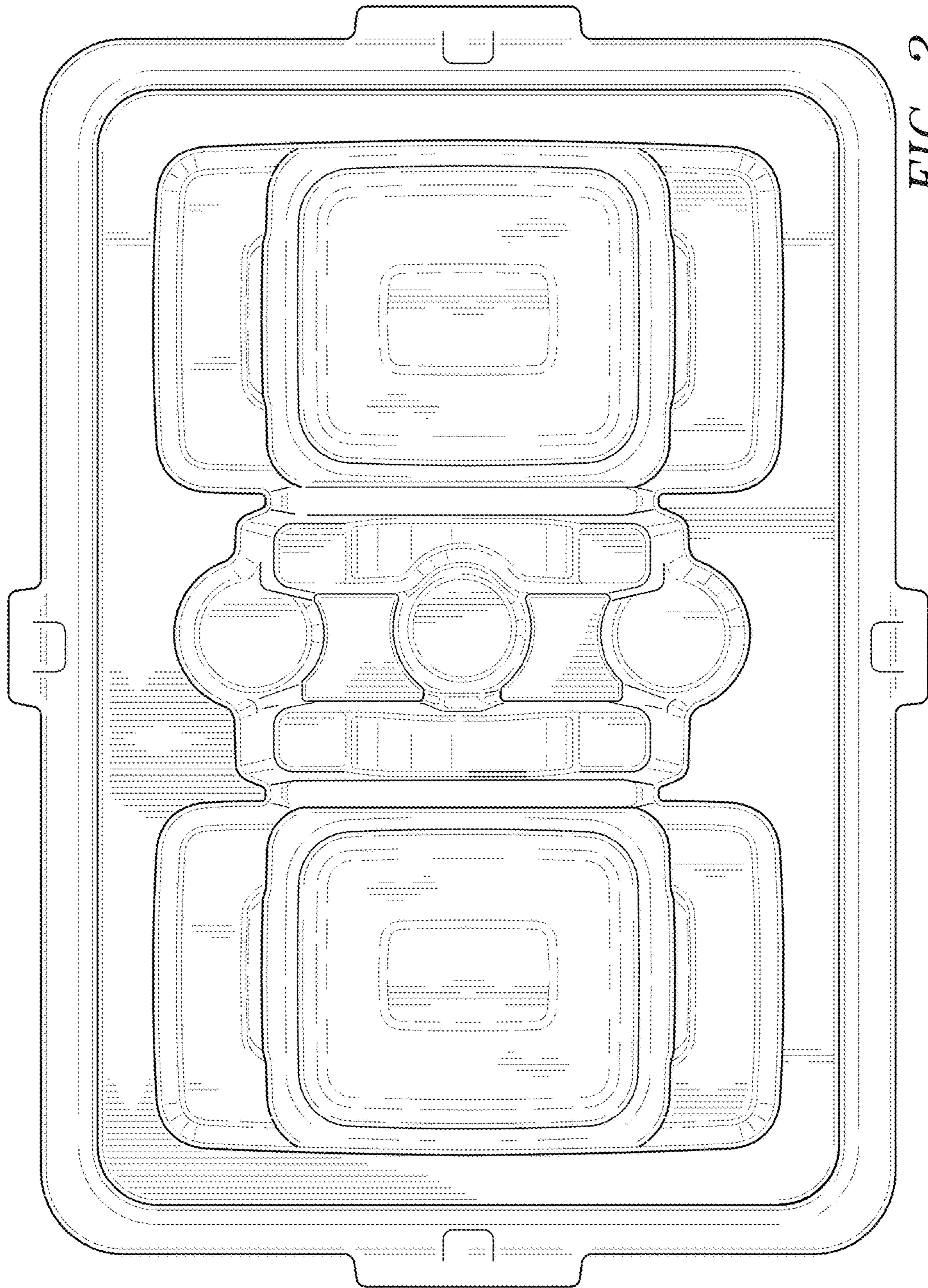
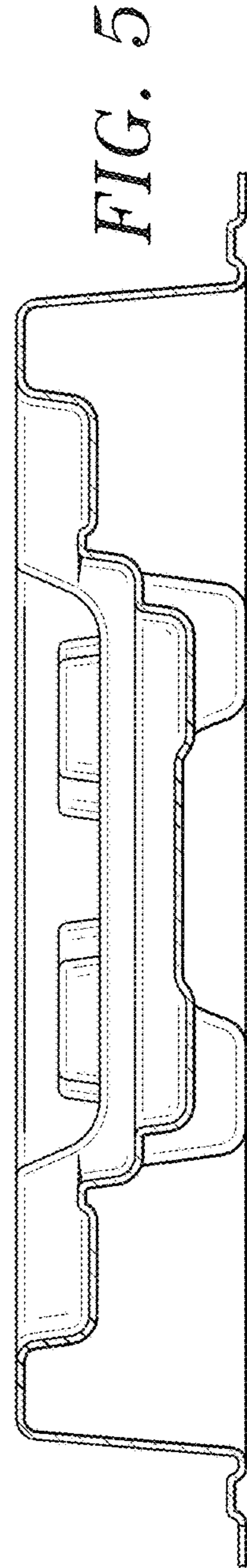
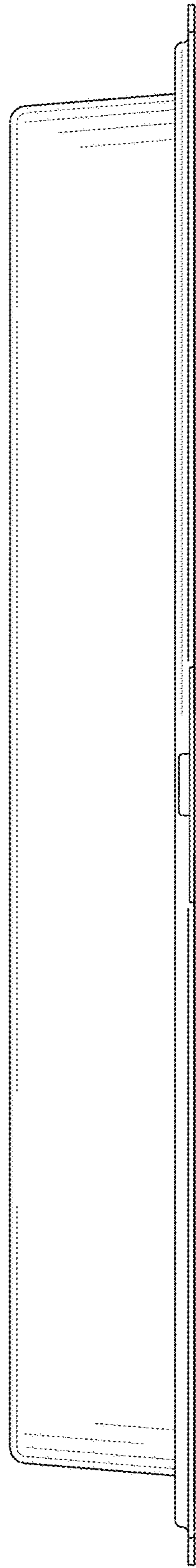
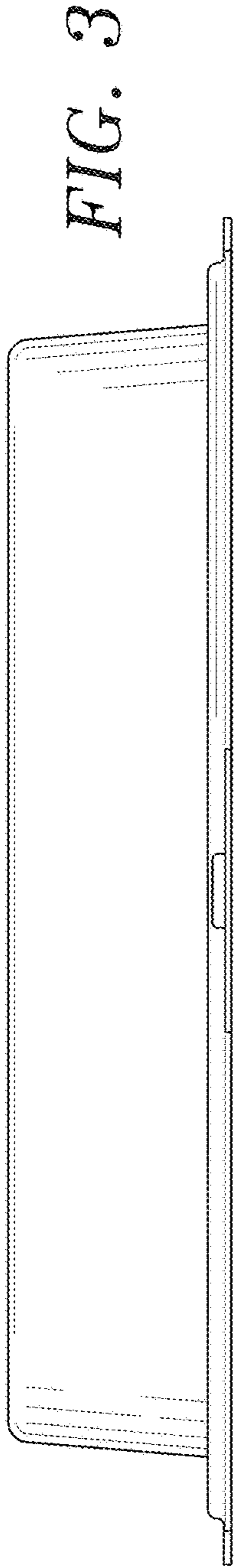


FIG. 2



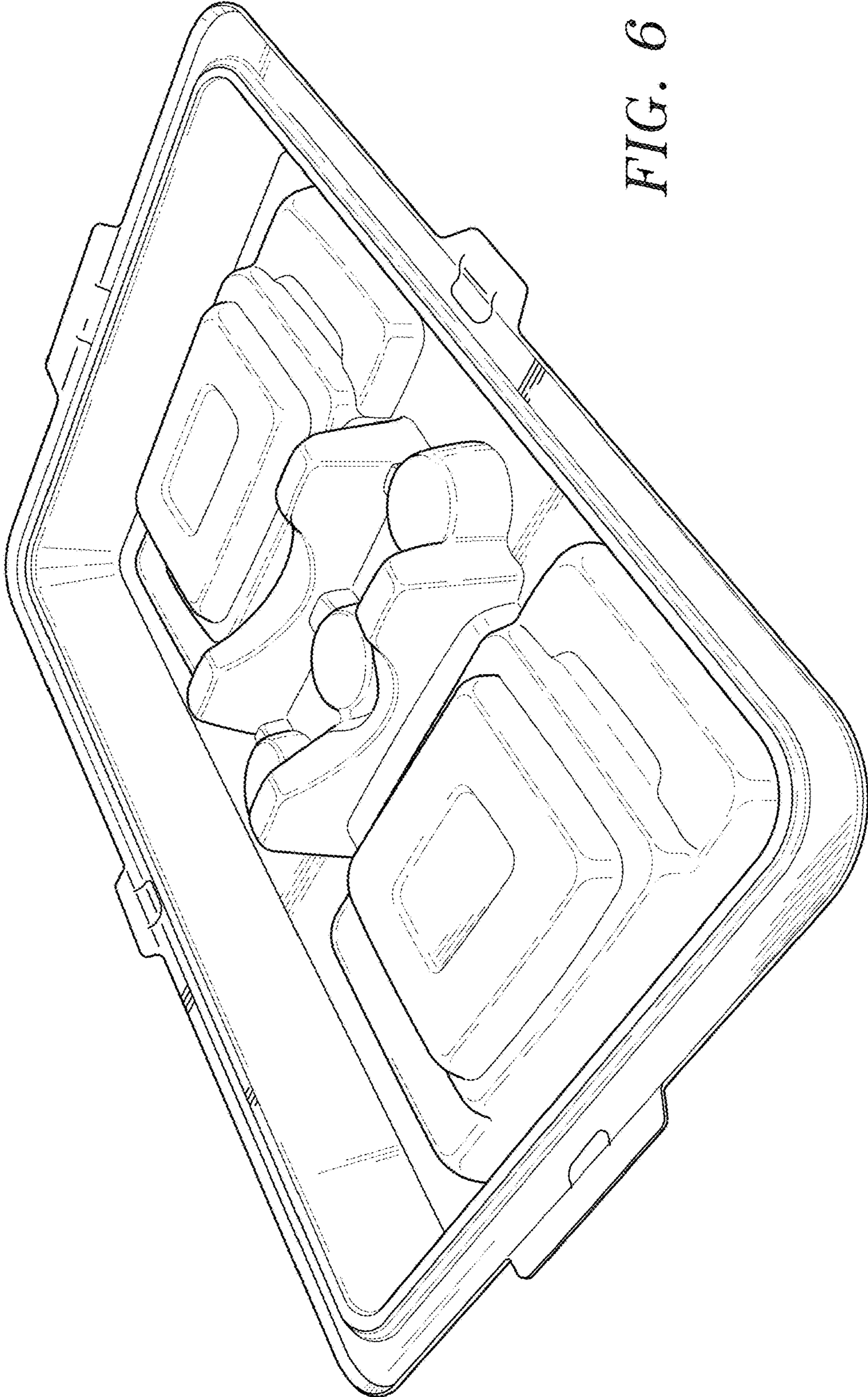


FIG. 6