



US00D845121S

(12) **United States Design Patent**
Webb et al.

(10) **Patent No.:** **US D845,121 S**

(45) **Date of Patent:** **** Apr. 9, 2019**

(54) **PACKAGING BOX**

(71) Applicant: **GENERAL PRINTING & DESIGN, INC.**, Southborough, MA (US)

(72) Inventors: **Alex Webb**, Wayland, MA (US); **Doug Dratch**, Southborough, MA (US)

(73) Assignee: **GENERAL PRINTING & DESIGN, INC.**, Southborough, MA (US)

(**) Term: **15 Years**

(21) Appl. No.: **29/604,104**

(22) Filed: **May 15, 2017**

(51) **LOC (11) Cl.** **09-03**

(52) **U.S. Cl.**
USPC **D9/414**

(58) **Field of Classification Search**
USPC D9/414-416, 418, 420, 423, 425, 426, D9/430, 432, 433, 522, 721, 734; D6/407, 632, 632.1, 620, 629, 702; D27/185-192; D3/201, 221, 225, 257, D3/294; 206/236-242, 45.14, 45.19; 229/105, 117.09, 117.26, 189, 406, 407, 229/902, 905
CPC B65D 5/00; B65D 5/20; B65D 5/5425; B65D 2207/00; B65D 1/34; B65D 1/36; B65D 1/40

See application file for complete search history.

(56) **References Cited**

U.S. PATENT DOCUMENTS

D264,313 S *	5/1982	Austin	D9/416
D270,042 S *	8/1983	Fisher	D9/430
D290,689 S *	7/1987	Forbes, Jr.	D9/433
4,930,680 A *	6/1990	Hanus	B65D 5/06 229/110
D387,984 S *	12/1997	Magister	D9/430
D444,062 S *	6/2001	Harrison	D9/430
D447,408 S *	9/2001	Humphrey	D9/415

D481,945 S *	11/2003	Jarvinen	D9/433
D485,173 S *	1/2004	Jacquet	D9/416
D490,310 S *	5/2004	Aggenberg	D9/430
D495,247 S *	8/2004	Keberlein	D9/418
D602,098 S *	10/2009	Seinkbeil	D21/335
D693,675 S *	11/2013	Staller	D9/430
D708,480 S *	7/2014	Kramer	D7/510
D732,613 S *	6/2015	Davies, III	D21/680
D737,825 S *	9/2015	Kumar	D14/433
D750,972 S	3/2016	Fan		

(Continued)

OTHER PUBLICATIONS

“Cardboard Camera” posted Apr. 21, 2016, [online], retrieved Jul. 27, 2018, Retrieved from Internet: <https://makezine.com/2016/04/21/working-with-cardboard-tips-cut-fold-mold-papier-mache/>.*

Primary Examiner — Barbara Fox

Assistant Examiner — Mehri F Bajoul

(74) *Attorney, Agent, or Firm* — Kriegsmann & Kriegsmann

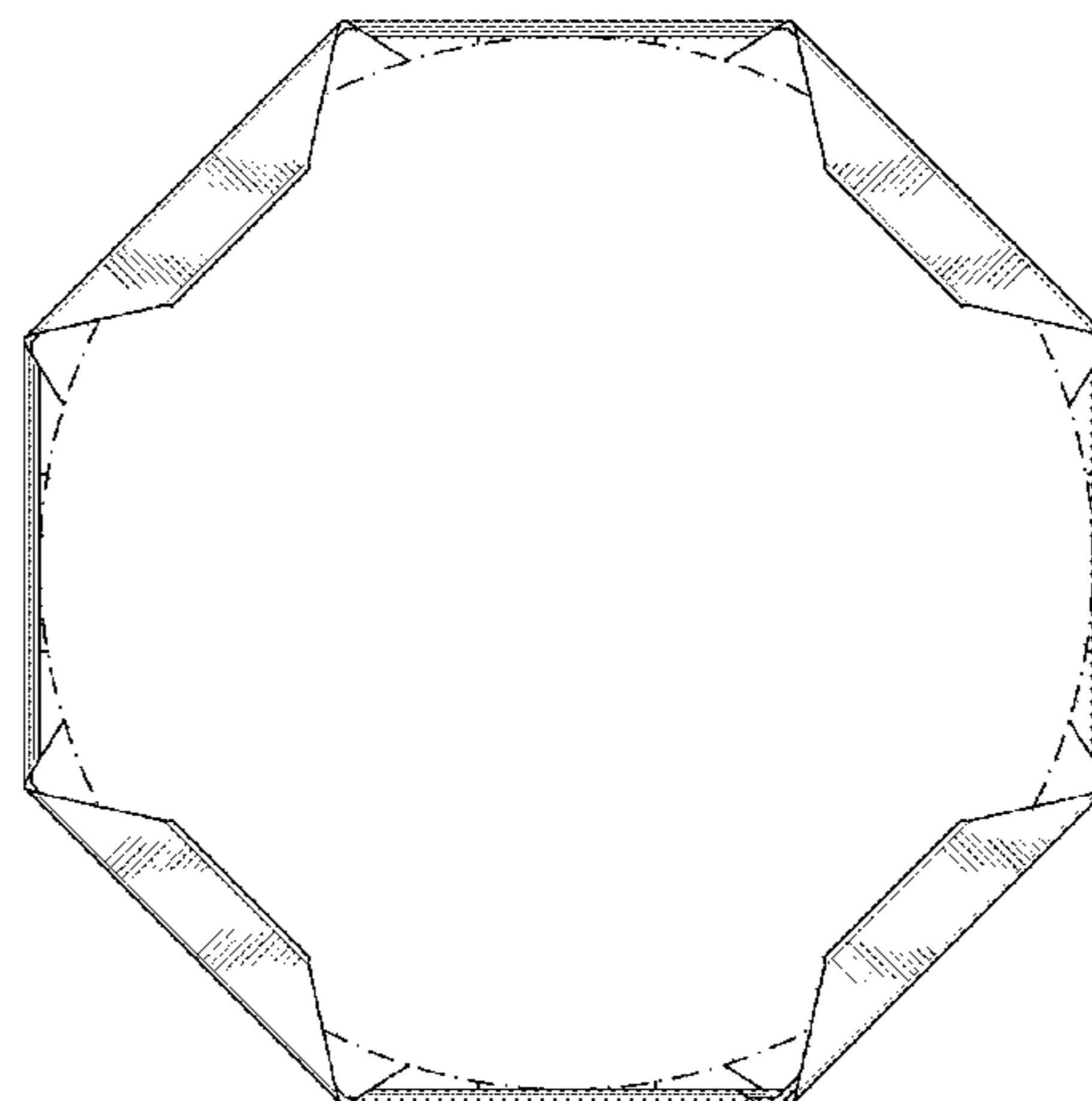
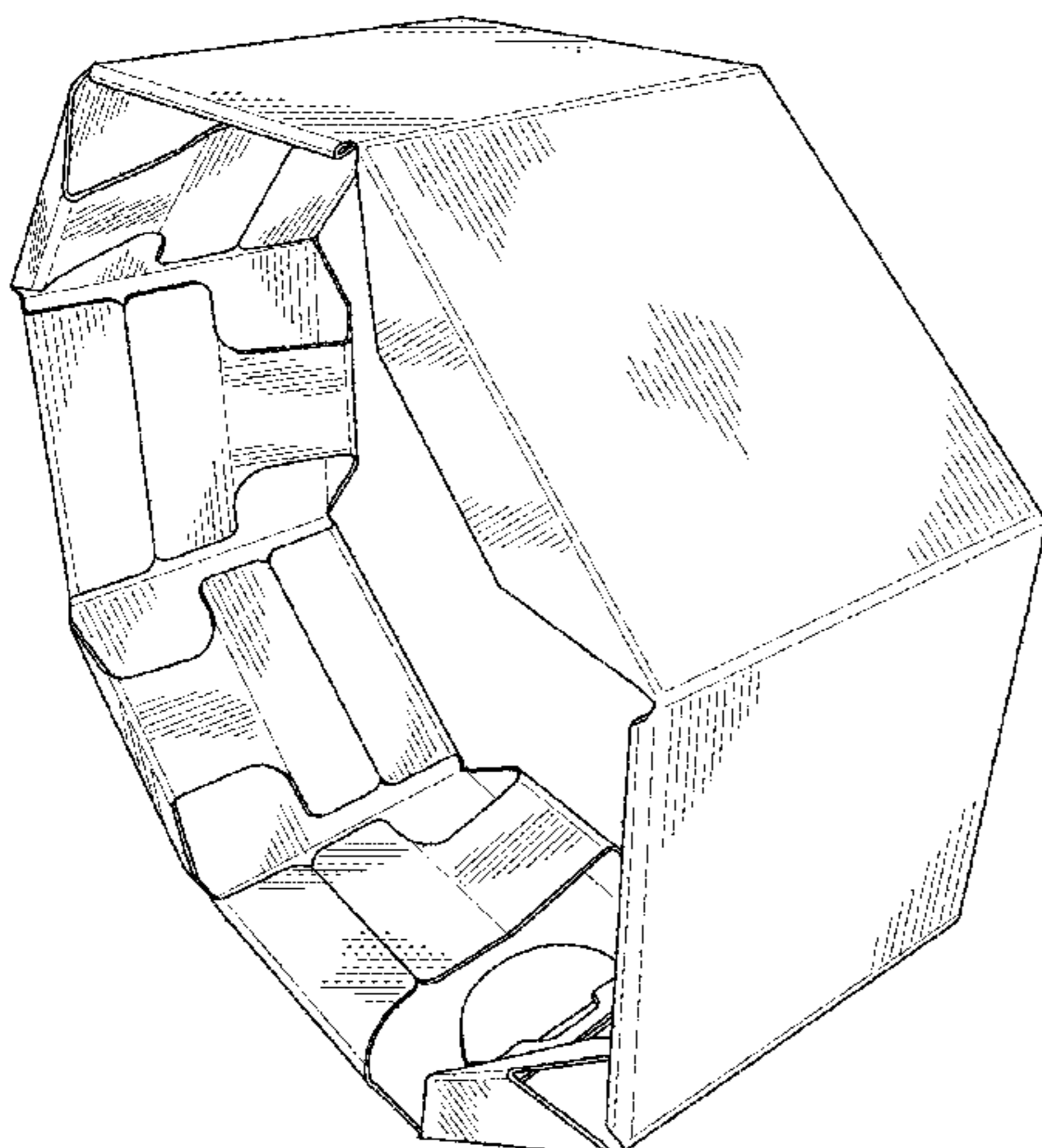
(57) **CLAIM**

The ornamental design for a packaging box, as shown and described.

DESCRIPTION

FIG. 1 is a front perspective view of a packaging box showing our new design;
FIG. 2 is a front view thereof, shown holding a ball in broken line;
FIG. 3 is a rear view thereof;
FIG. 4 is a top view thereof;
FIG. 5 is a bottom view thereof;
FIG. 6 is a left side view thereof;
FIG. 7 is a right side view thereof; and,
FIG. 8 is a top perspective view of the packaging box of FIG. 1, the packaging box being shown in a partially disassembled state with its ends uncoupled to each other.
The broken line showing of a ball in FIGS. 2-7 depicts environment and forms no part of the claimed design.

1 Claim, 8 Drawing Sheets



(56)

References Cited

U.S. PATENT DOCUMENTS

D752,994 S * 4/2016 Fan D9/721
D772,055 S * 11/2016 O'Dowd D9/430
D800,233 S * 10/2017 Januszek D21/662
D802,063 S * 11/2017 Nelson D21/680

* cited by examiner

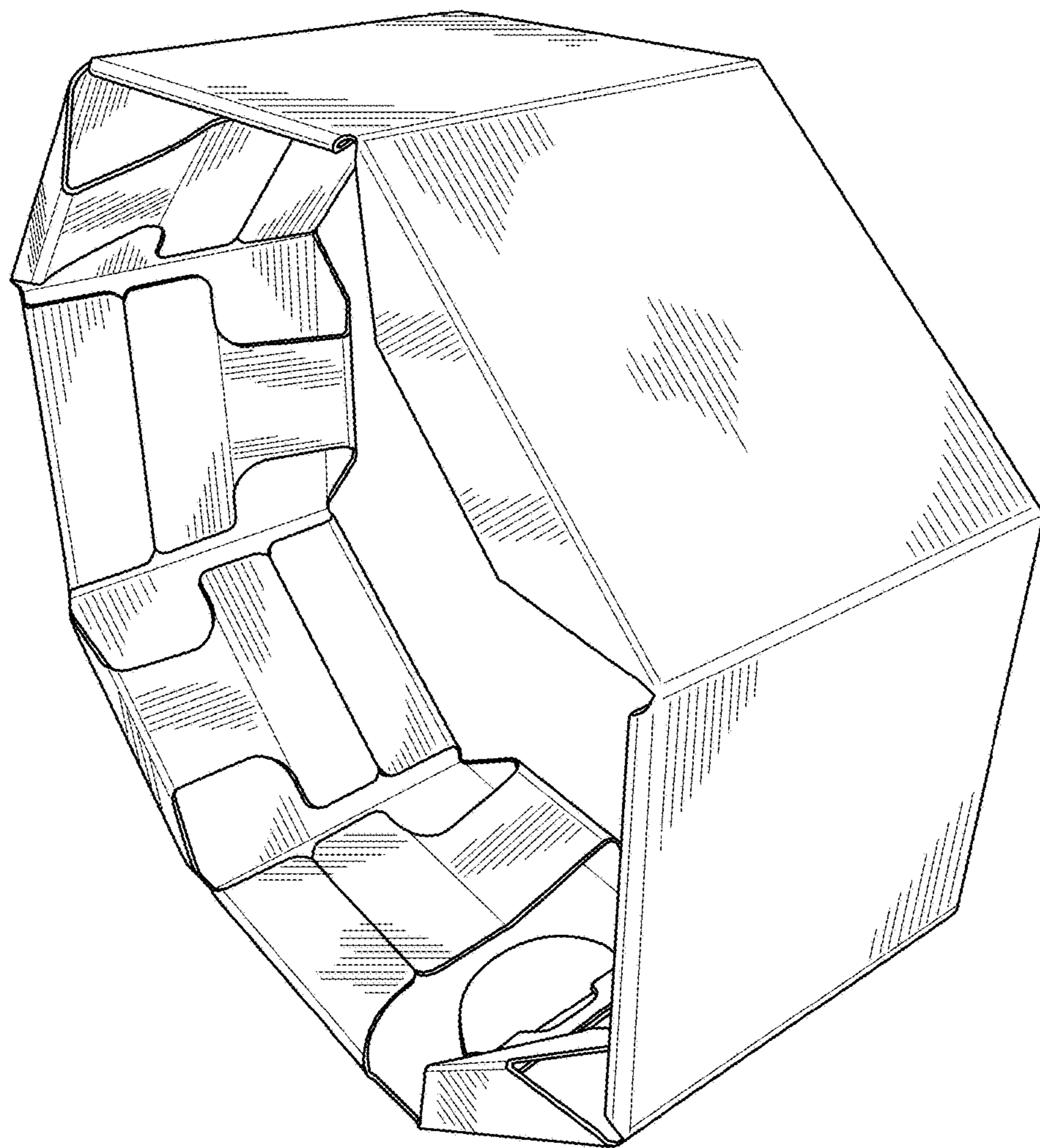


FIG. 1

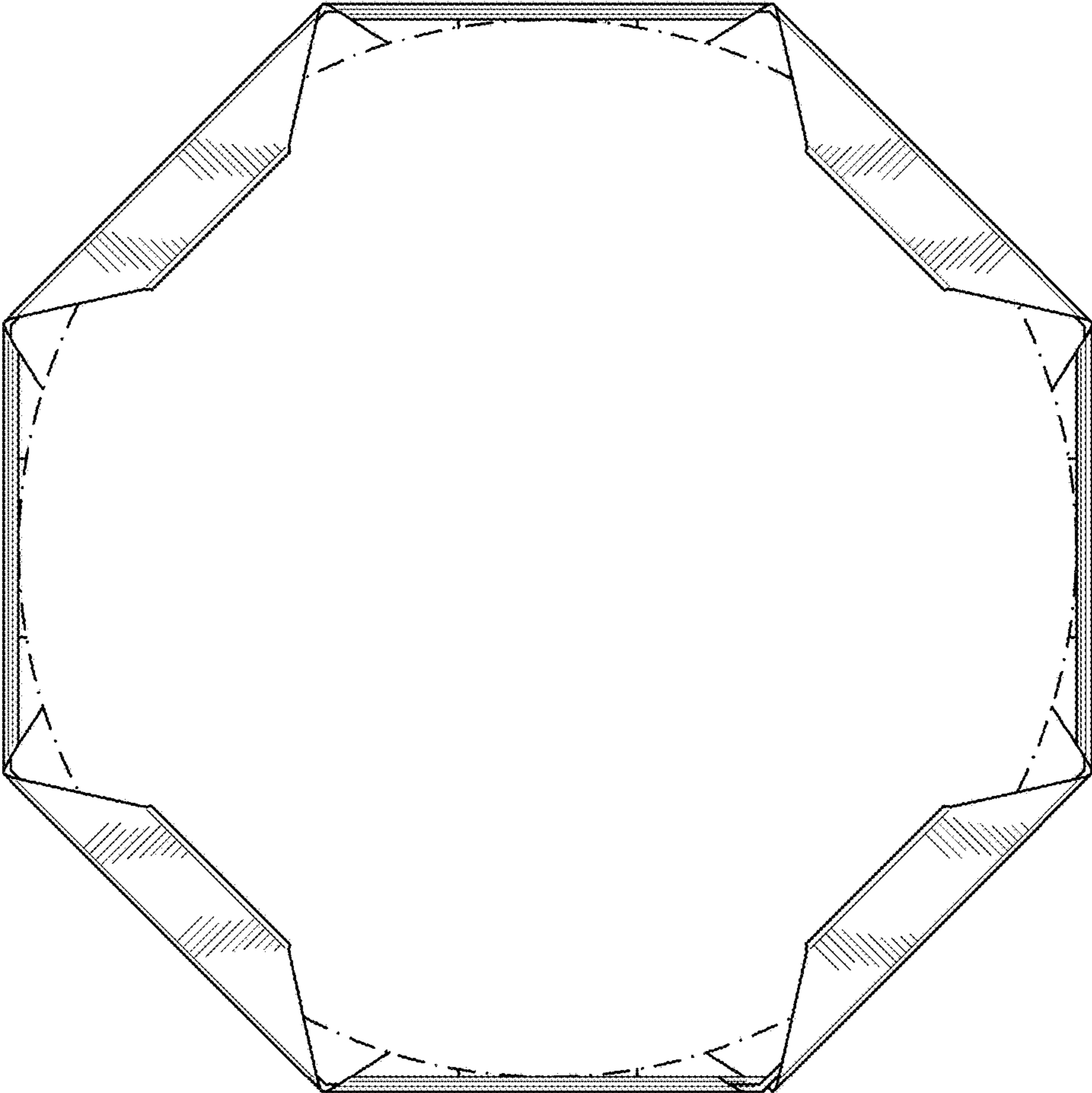


FIG. 2

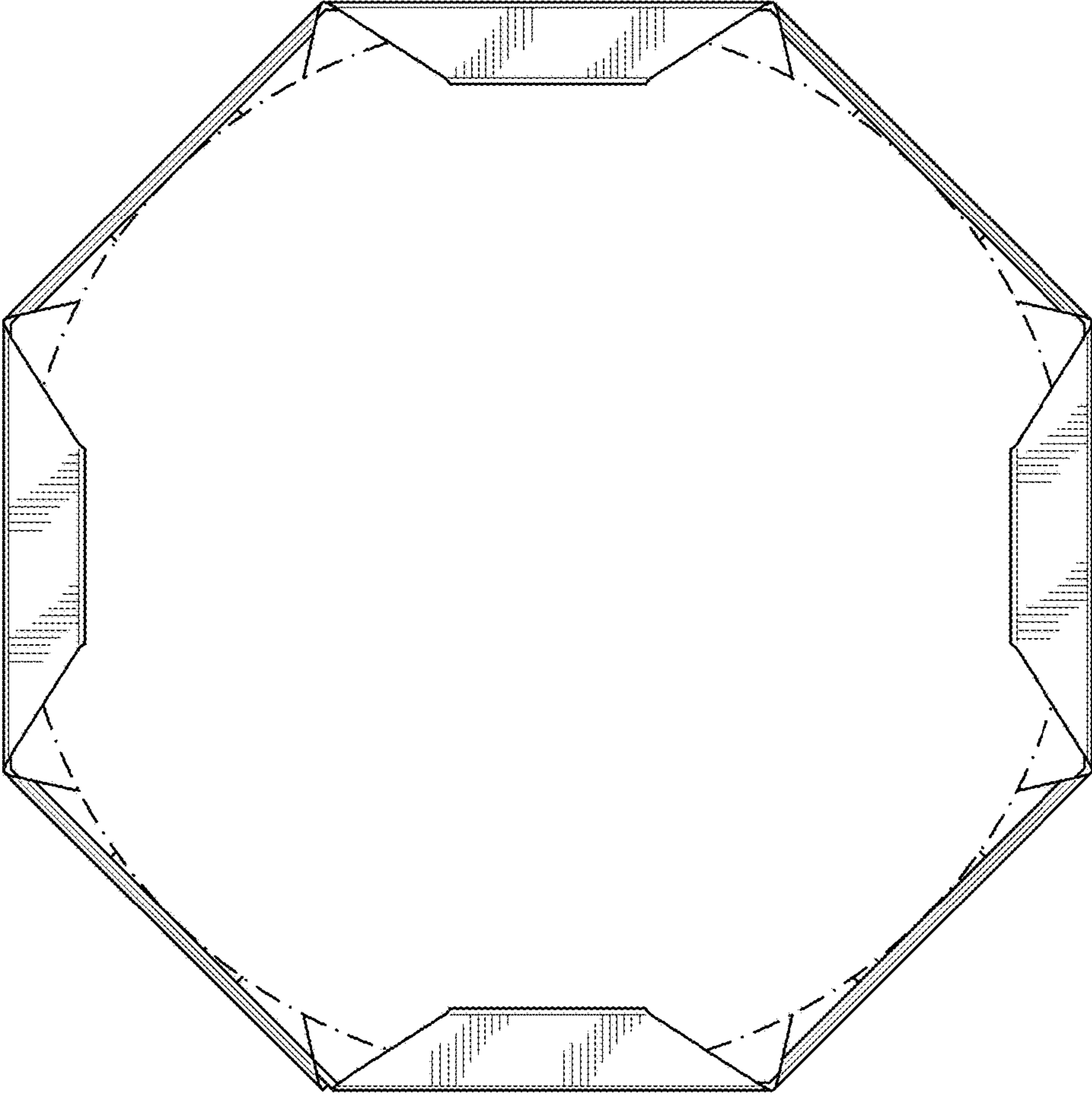


FIG. 3

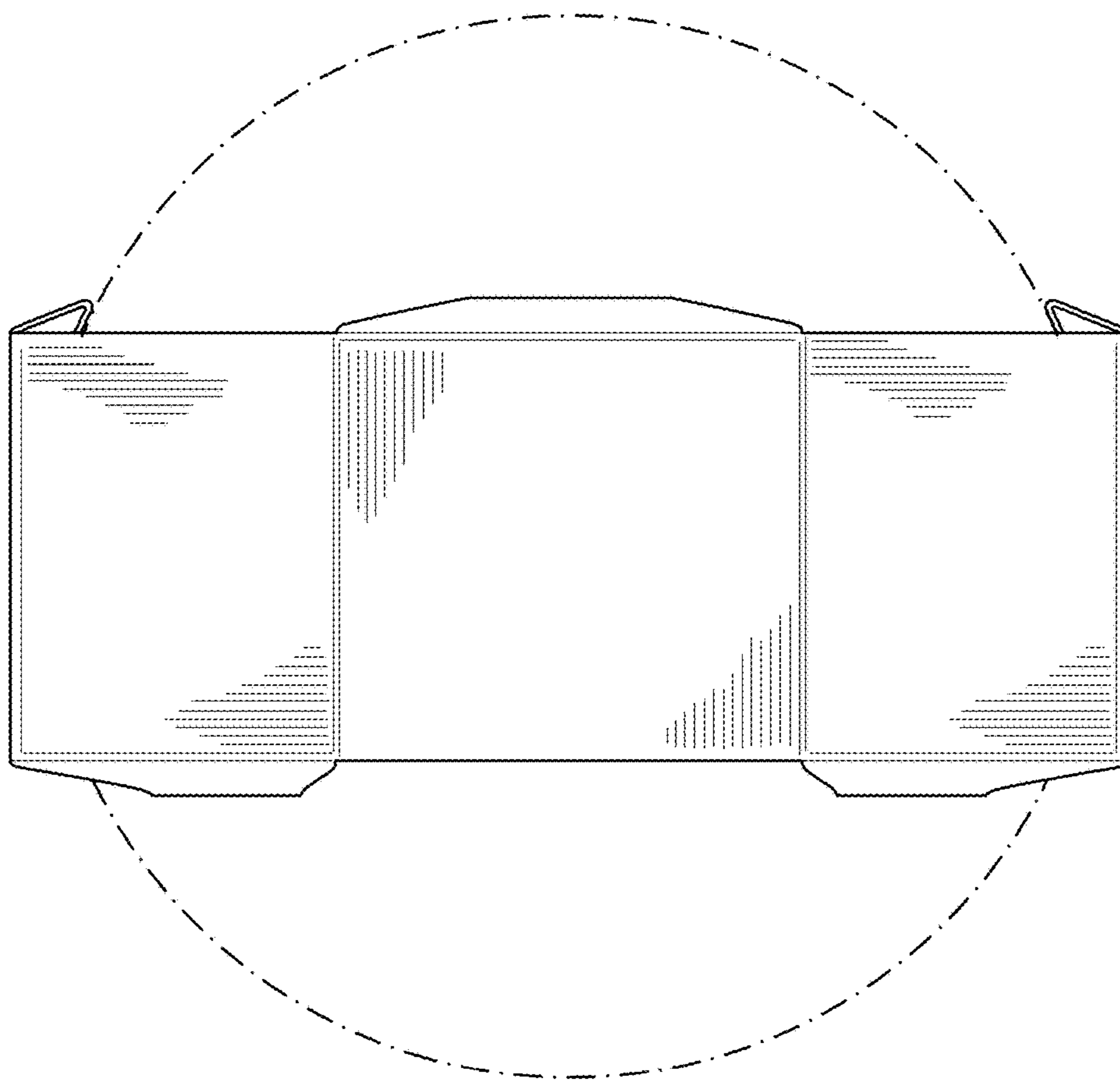


FIG. 4

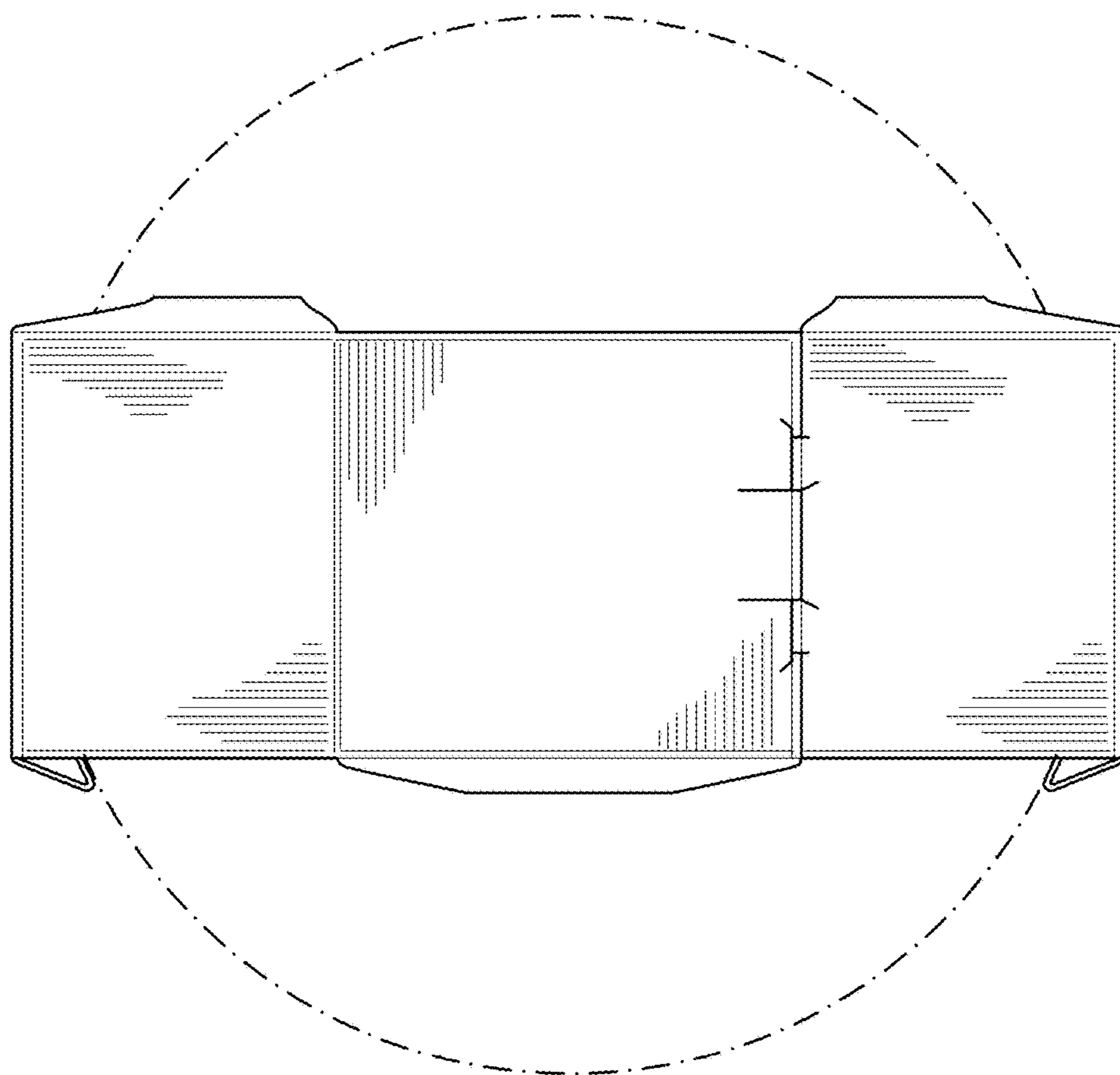


FIG. 5

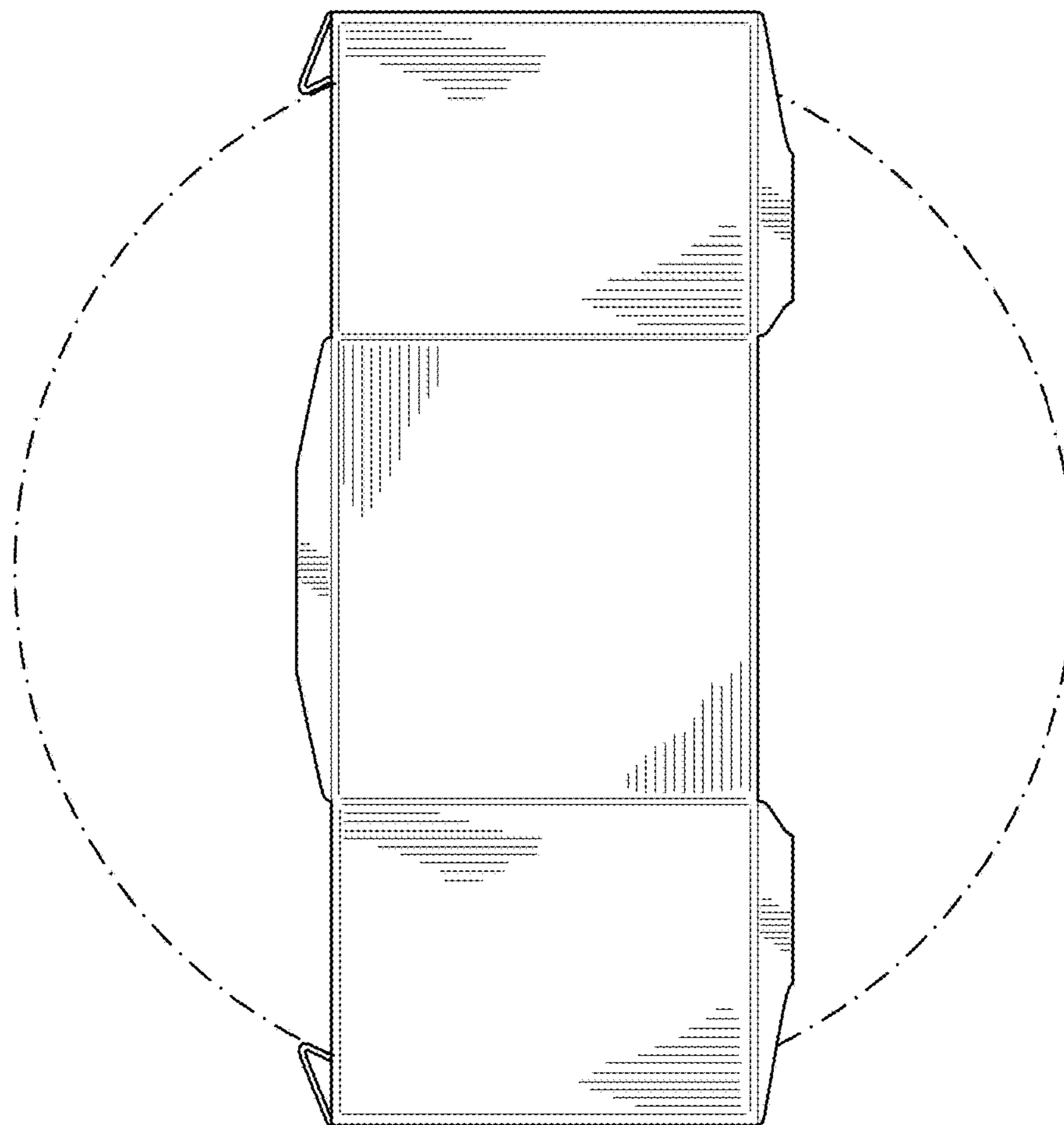


FIG. 6

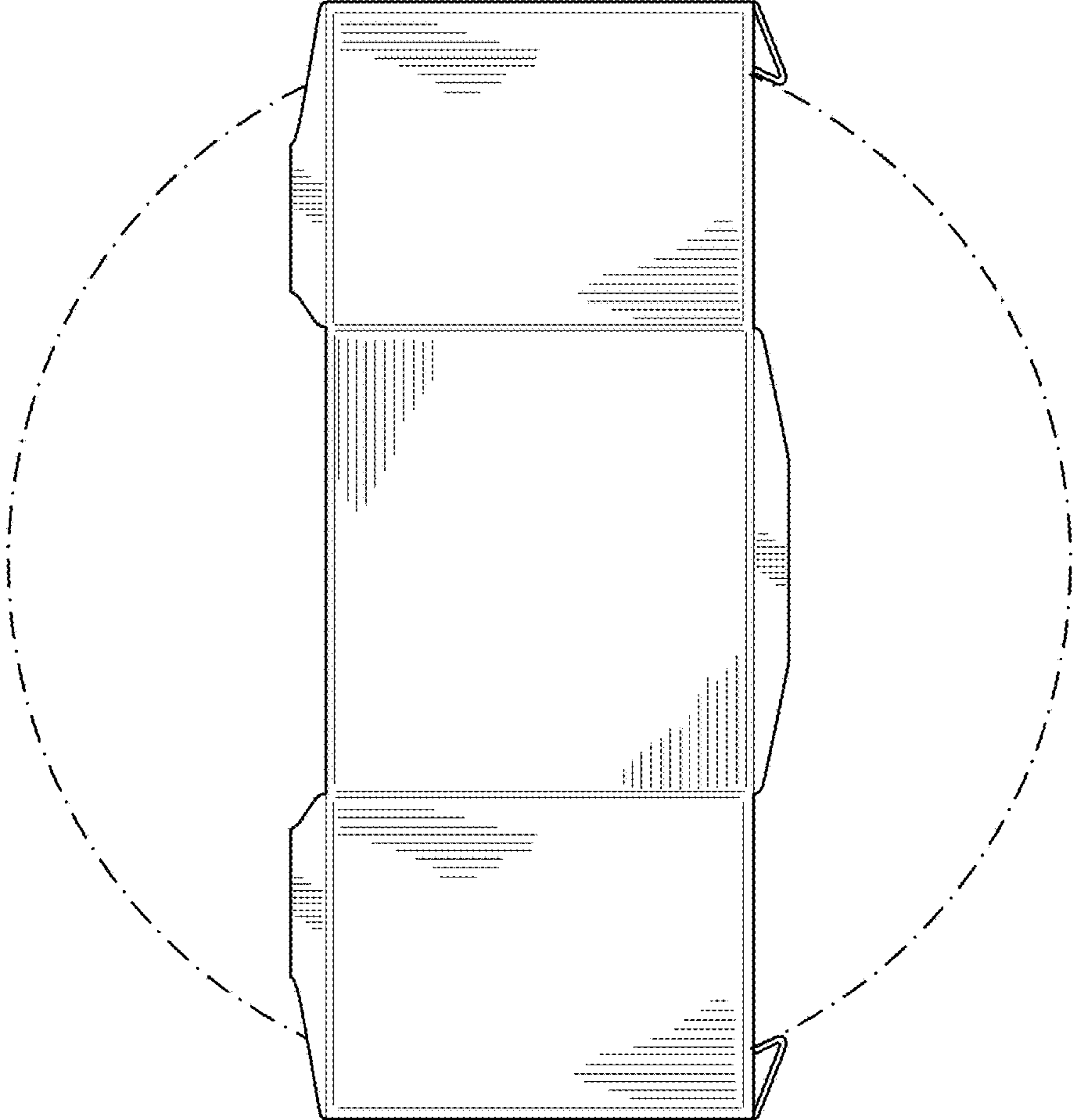


FIG. 7

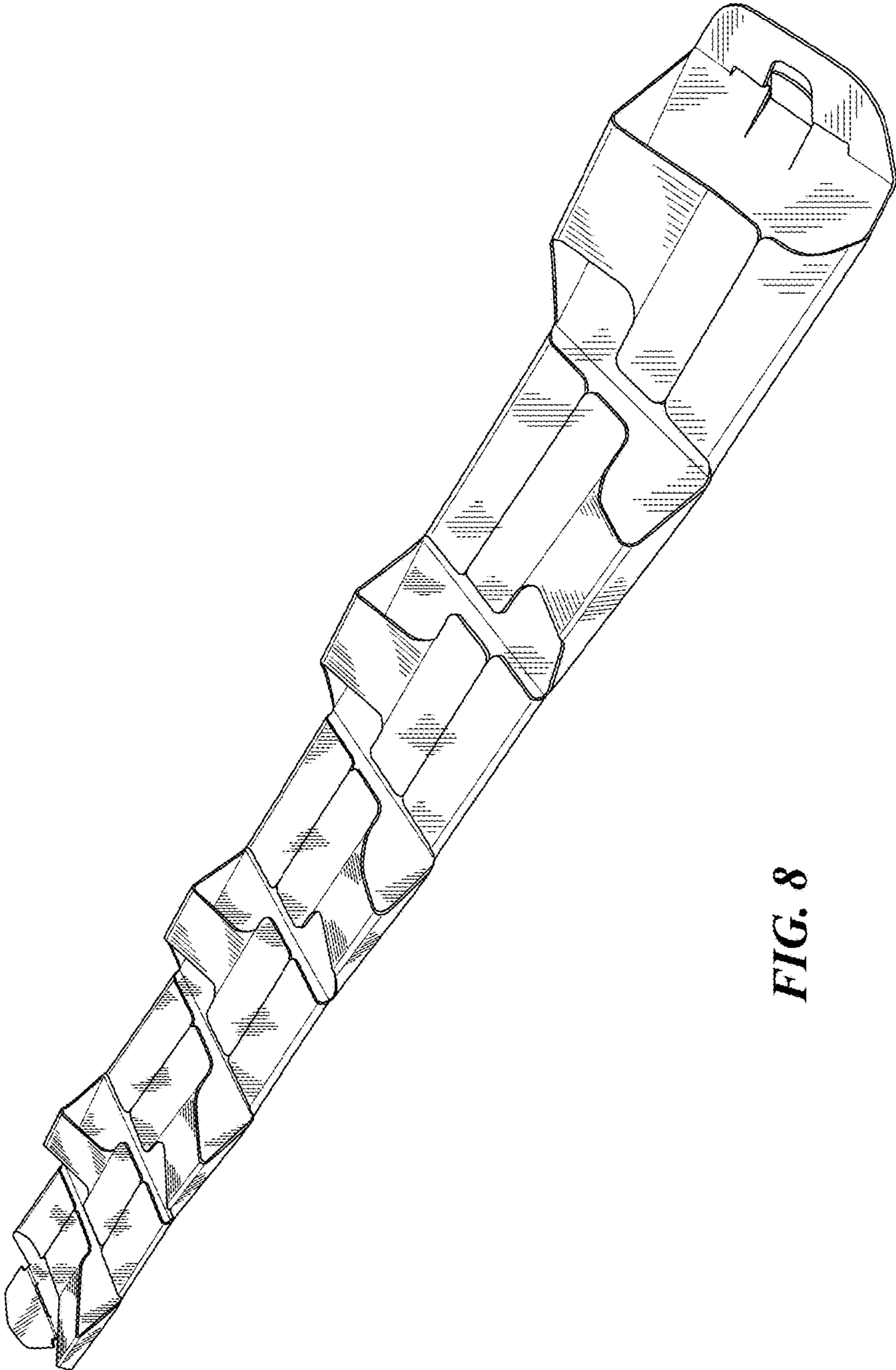


FIG. 8