



US00D845120S

(12) **United States Design Patent**
Kosidlo

(10) **Patent No.:** **US D845,120 S**

(45) **Date of Patent:** **** Apr. 9, 2019**

- (54) **RETENTION CLIP**
- (71) Applicant: **Engineered Fastener Company, LLC**,
St. Louis, MO (US)
- (72) Inventor: **John Michael Kosidlo**, White Lake, MI
(US)
- (73) Assignee: **Engineered Fastener Company, LLC**,
St. Louis, MO (US)
- (**) Term: **15 Years**
- (21) Appl. No.: **29/637,835**
- (22) Filed: **Feb. 22, 2018**
- (51) **LOC (11) Cl.** **08-08**
- (52) **U.S. Cl.**
USPC **D8/395**
- (58) **Field of Classification Search**
USPC D8/349, 354, 356, 366, 382, 394, 395,
D8/396
CPC F16B 21/08; F16B 21/075; Y10T 24/304;
Y10T 24/1391; Y10T 24/1394; Y10T
24/44; Y10T 24/44256; Y10T 24/44923;
Y10T 29/49607; B42F 1/003; B42F 1/006
See application file for complete search history.

- 6,928,705 B2 * 8/2005 Osterland B60R 13/0206
24/289
- 7,188,392 B2 * 3/2007 Giugliano F16B 5/065
24/295
- 7,278,189 B2 * 10/2007 Smith F16B 5/065
24/295
- 7,428,770 B2 * 9/2008 Dickenson F16B 5/0614
24/289
- 7,640,634 B2 * 1/2010 Vassiliou F16B 5/0614
24/293
- D620,342 S * 7/2010 Mikkelsen D8/354
- D625,580 S * 10/2010 Giordano D8/349
- D674,685 S * 1/2013 Dixon D8/395
- D690,583 S * 10/2013 Sendra-Gonzalez ... H02S 20/00
D8/394
- D732,382 S * 6/2015 Zalanca D8/394
- D762,106 S * 7/2016 Lo D8/349
- D762,456 S * 8/2016 Lo D8/349
- D762,457 S * 8/2016 Lo D8/349
- D767,372 S * 9/2016 Itou H02G 3/26
D8/356

(Continued)

Primary Examiner — John Windmuller
Assistant Examiner — Steven J Czyz
 (74) *Attorney, Agent, or Firm* — Howard & Howard
 Attorneys PLLC

(57) **CLAIM**

The ornamental design for a retention clip, substantially as shown and described.

DESCRIPTION

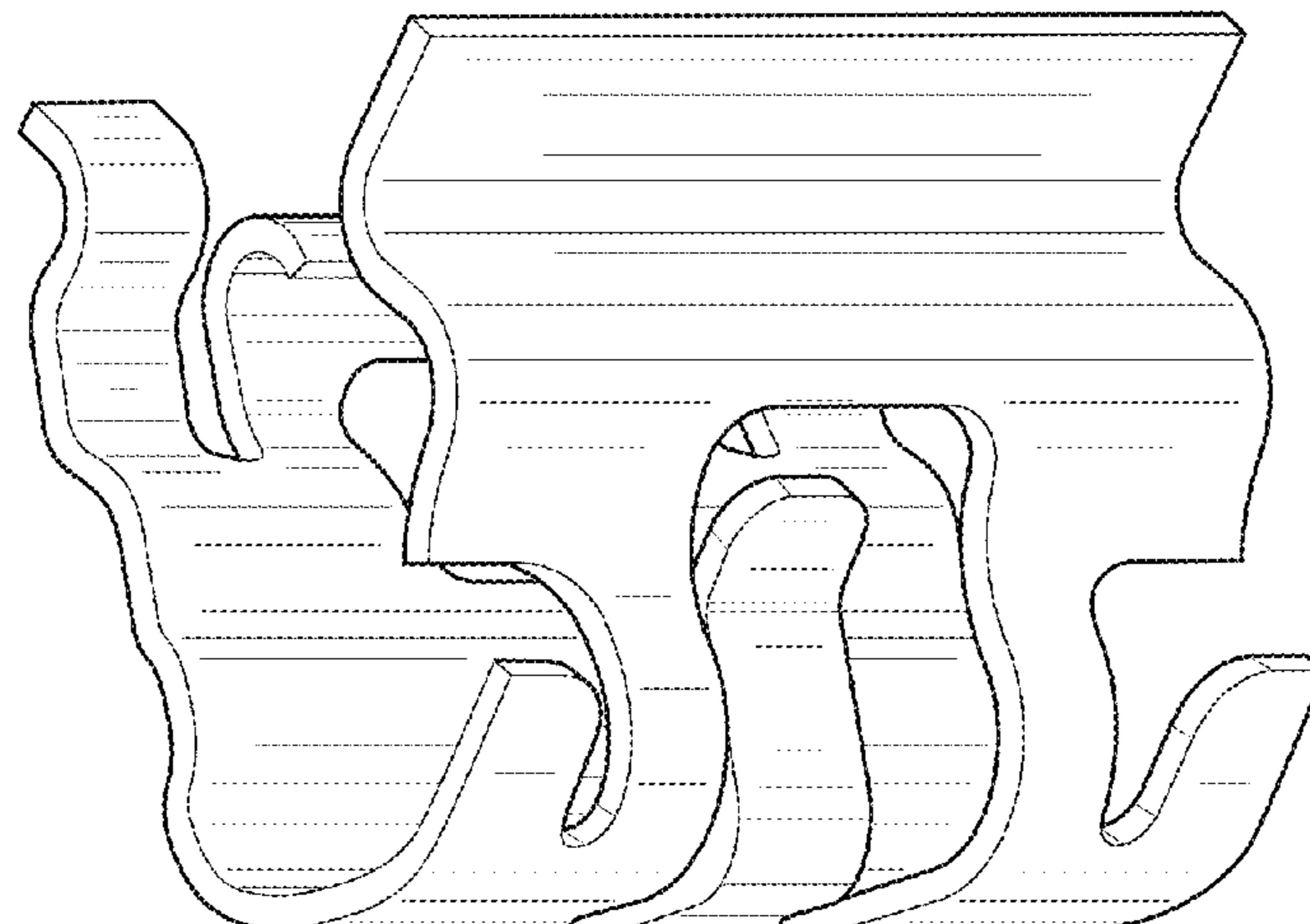
FIG. 1 is a front view of a retention clip;
 FIG. 2 is a back view thereof;
 FIG. 3 is left view thereof;
 FIG. 4 is a right view thereof;
 FIG. 5 is a top view thereof;
 FIG. 6 is a bottom view thereof;
 FIG. 7 is a perspective front view thereof; and,
 FIG. 8 is a perspective back view thereof.

1 Claim, 4 Drawing Sheets

(56) **References Cited**

U.S. PATENT DOCUMENTS

- D220,424 S * 4/1971 Hindenburg et al. D8/395
- 3,673,643 A * 7/1972 Kindell F16B 2/241
24/458
- 3,720,395 A * 3/1973 Schuplin H02G 3/126
220/3.9
- 6,353,981 B1 * 3/2002 Smith F16B 2/241
24/289
- 6,691,380 B2 * 2/2004 Vassiliou F16B 5/0614
24/289
- 6,718,599 B2 * 4/2004 Dickinson F16B 5/0614
24/289



(56)

References Cited

U.S. PATENT DOCUMENTS

9,440,596	B2 *	9/2016	Huelke	B60N 3/026
D811,869	S *	3/2018	Gallion	D8/394
D815,939	S *	4/2018	Geiger	D8/382
D816,474	S *	5/2018	Ochi	D8/395
D816,475	S *	5/2018	Ochi	D8/395
10,119,606	B2 *	11/2018	Ahmed	F01L 13/0005

* cited by examiner

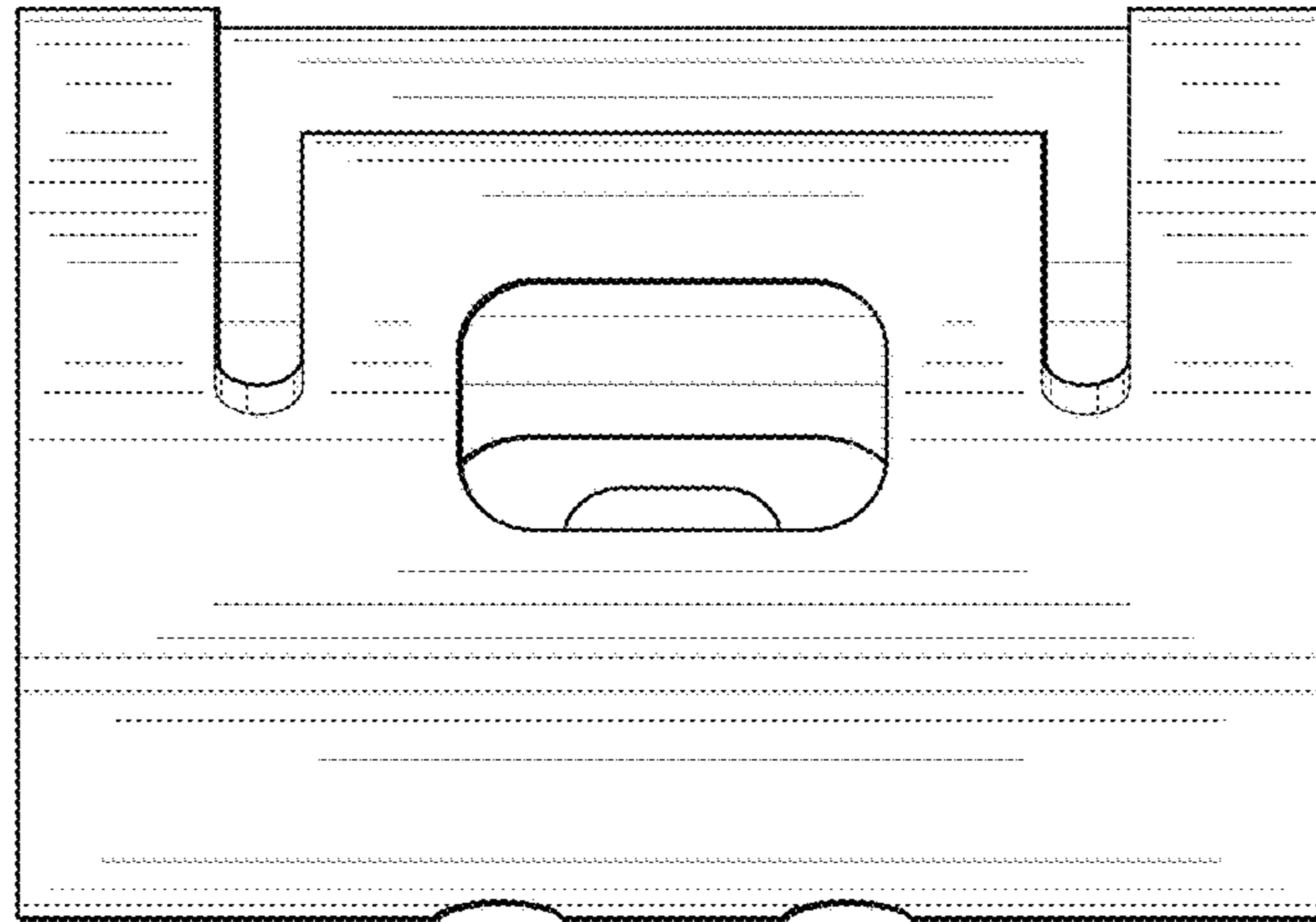


FIG. 1

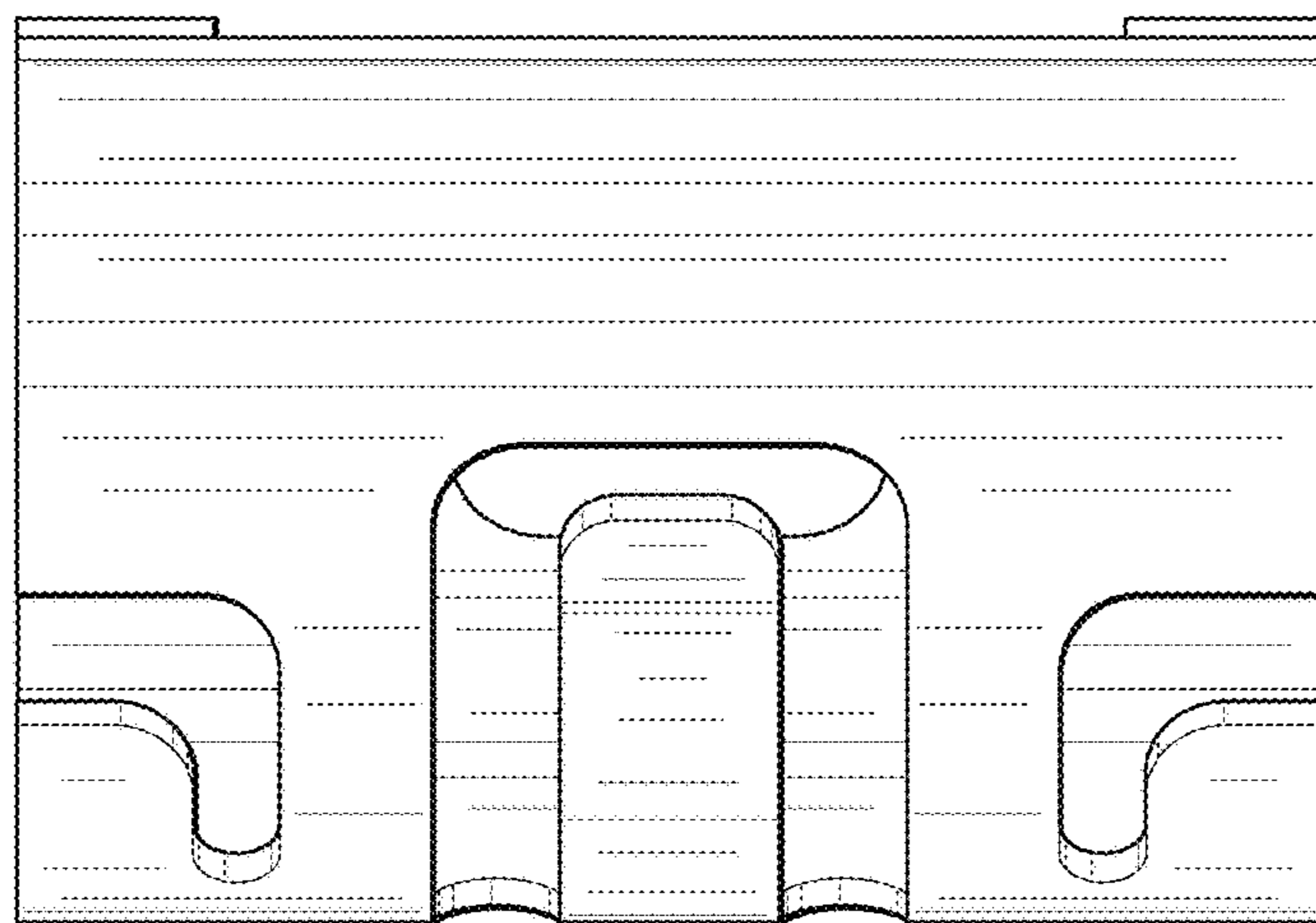


FIG. 2

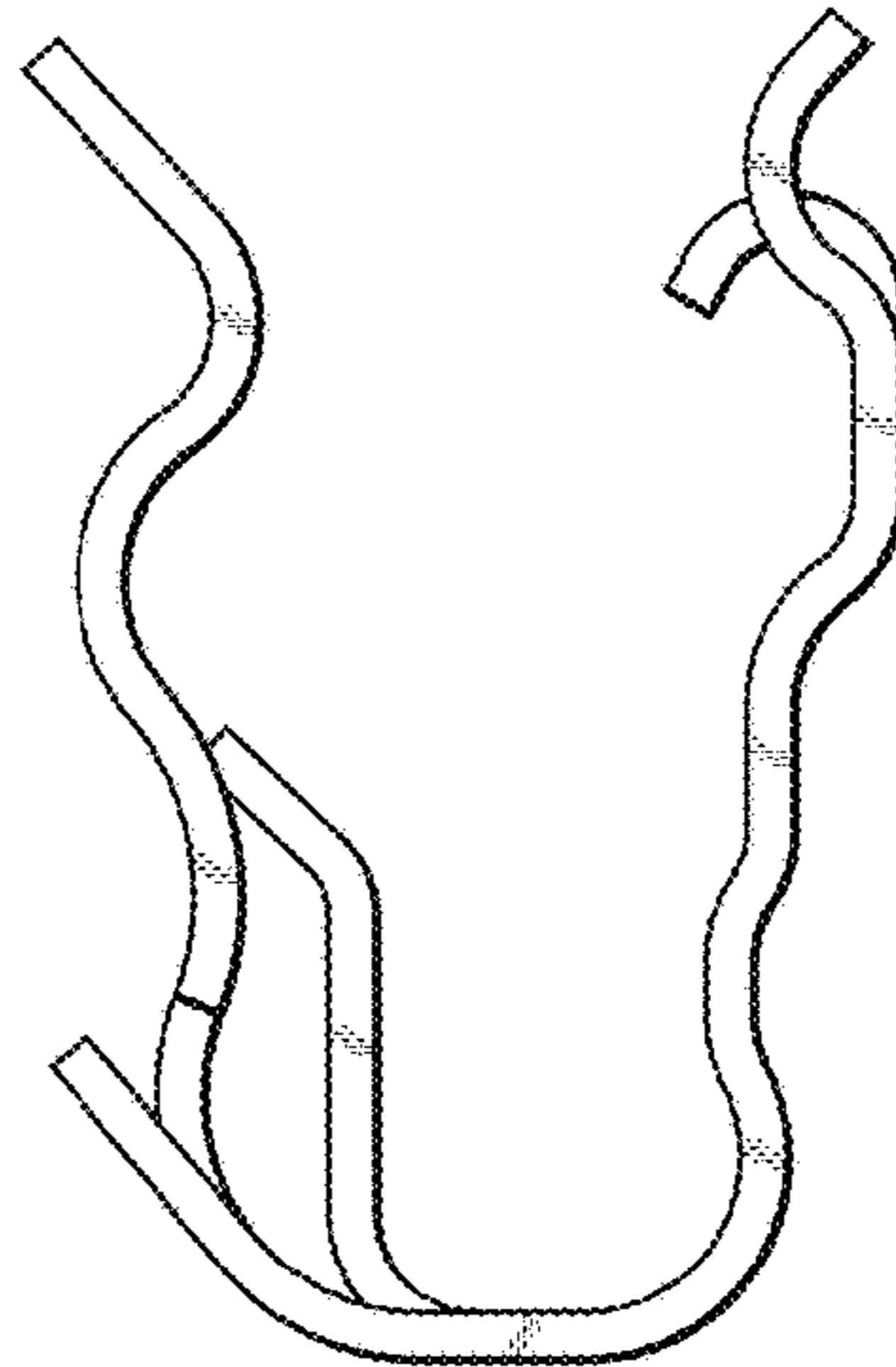


FIG. 3

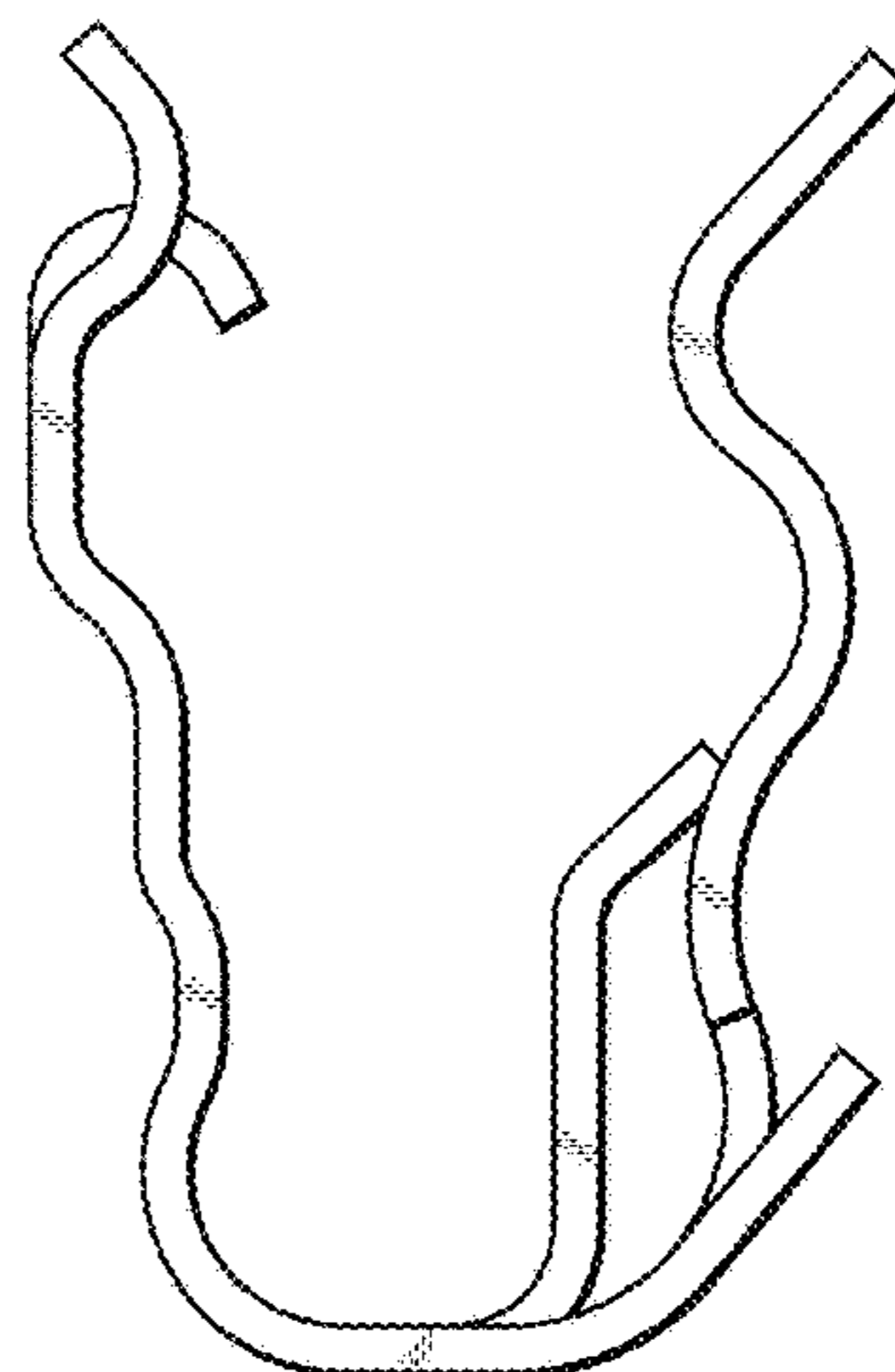


FIG. 4

FIG. 5

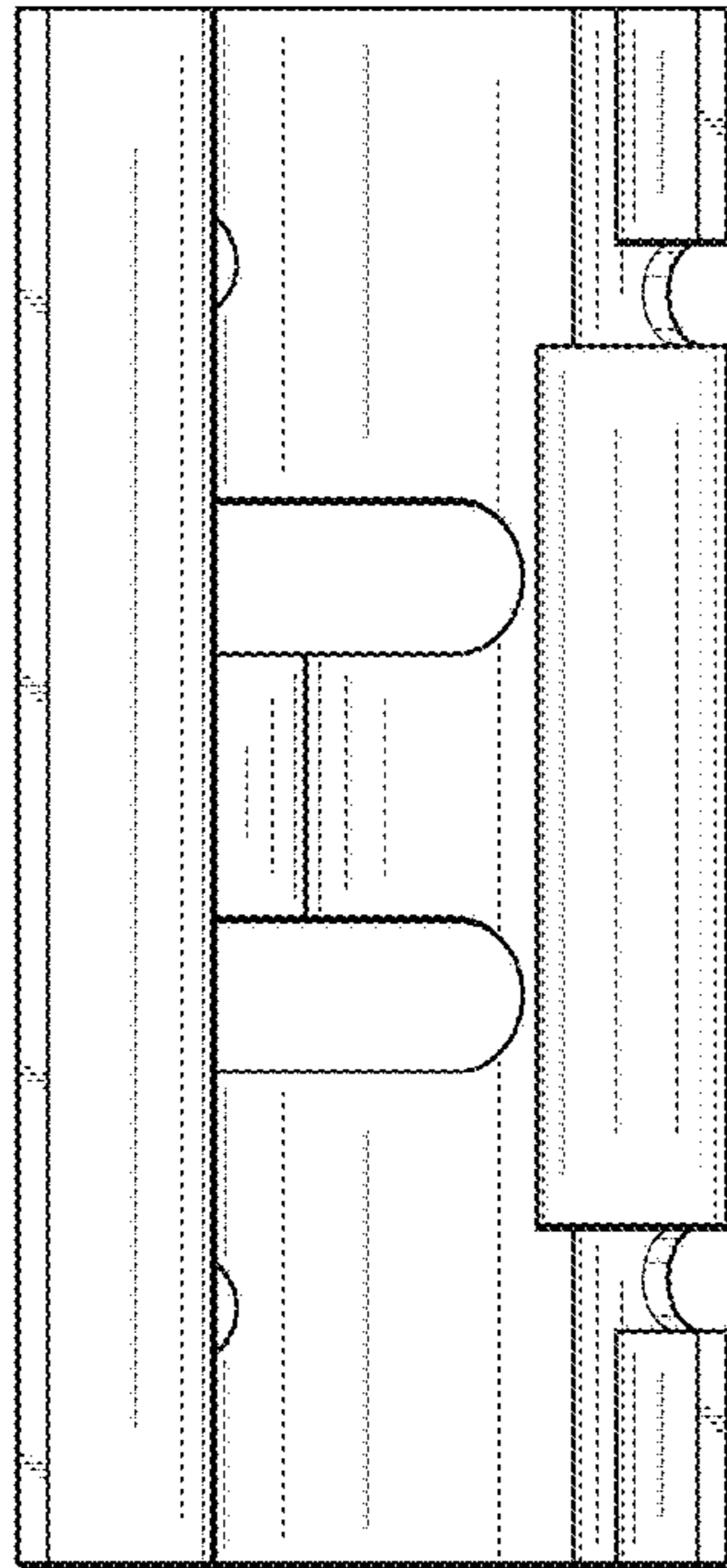
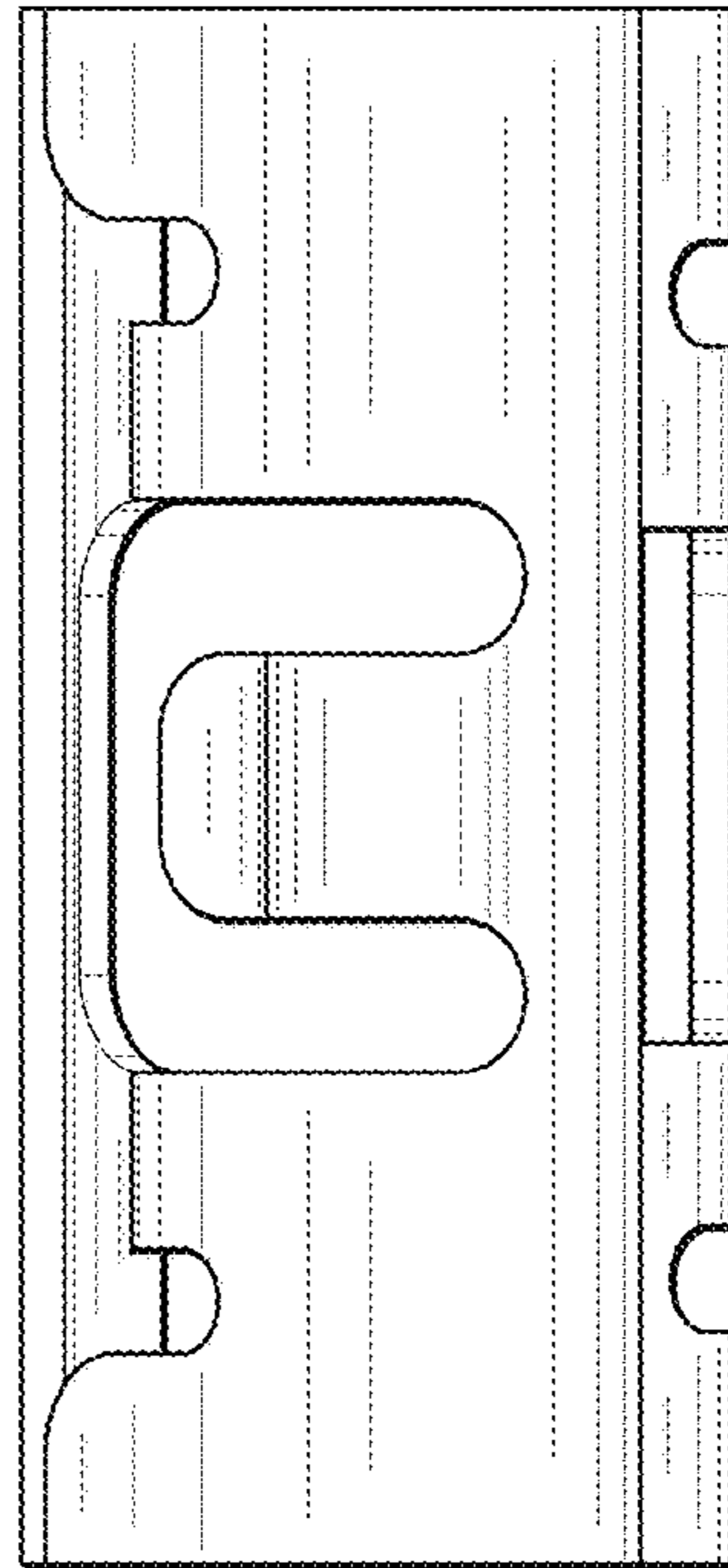


FIG. 6



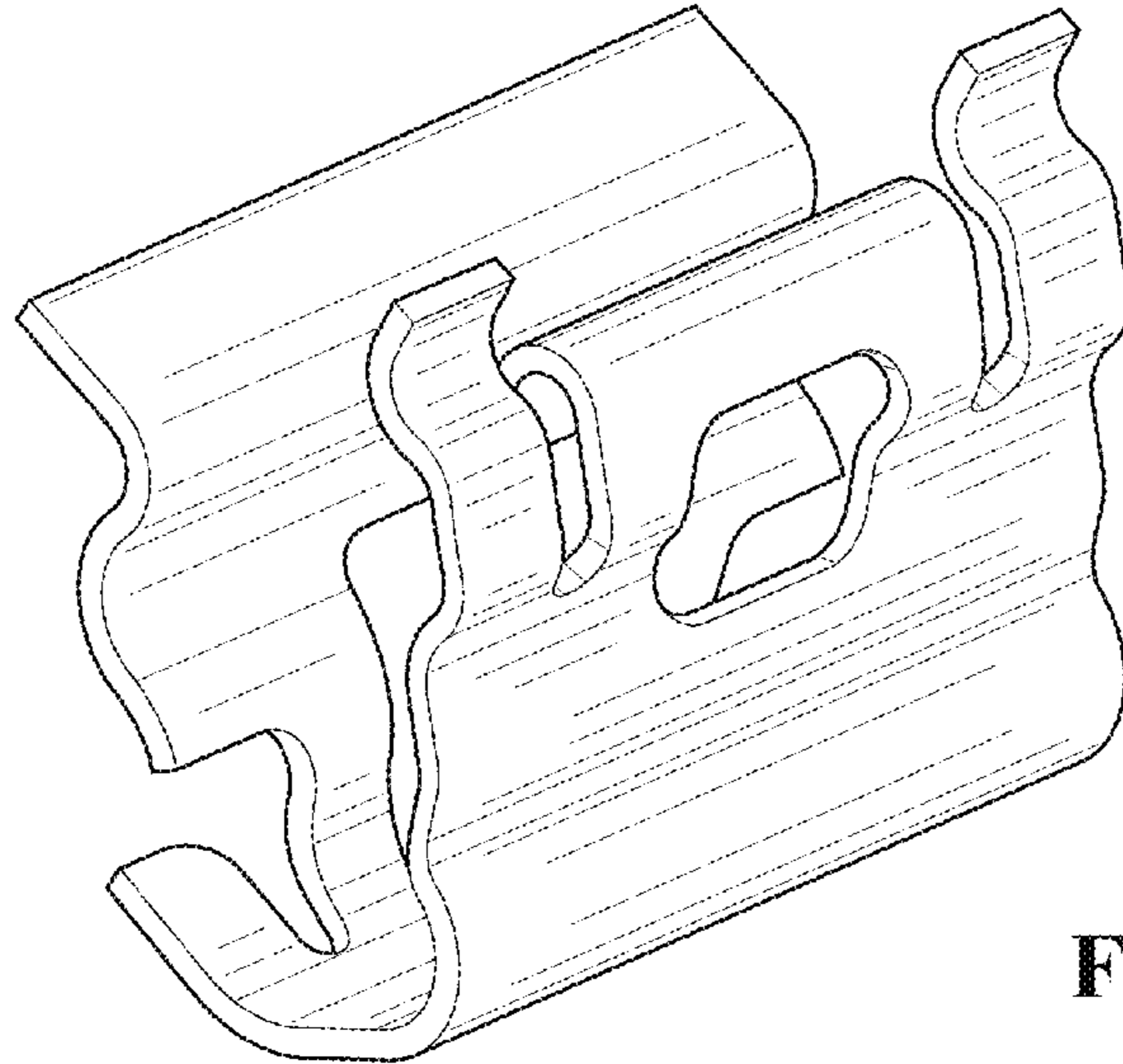


FIG. 7

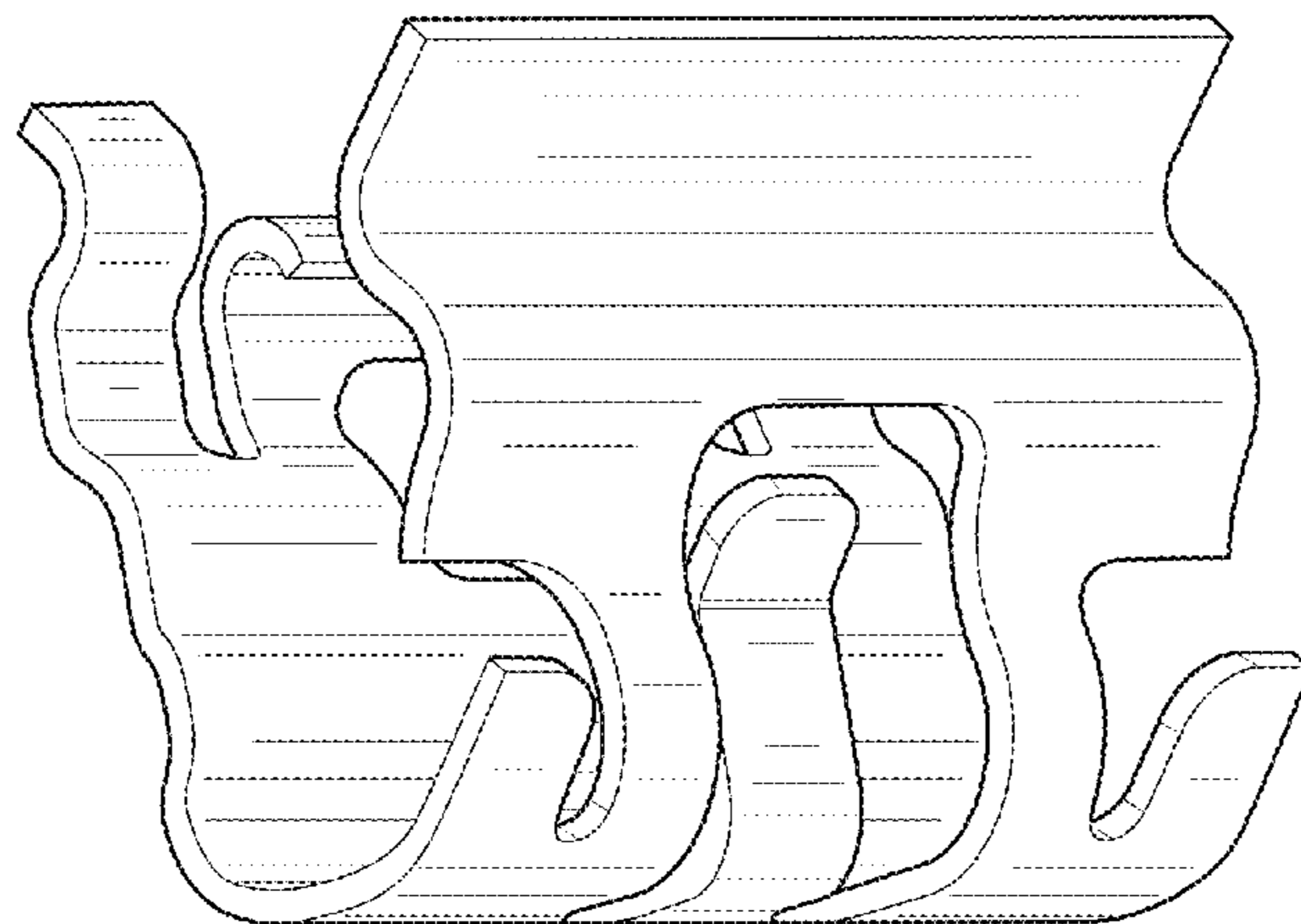


FIG. 8