

US00D845119S

(12) **United States Design Patent** (10) **Patent No.:** **US D845,119 S**
Hutchison et al. (45) **Date of Patent:** **** Apr. 9, 2019**

- (54) **BOARD-FREE ROOF JACK CLIP**
- (71) Applicants: **Jeffrey R. Hutchison**, Steubenville, OH (US); **Jeffrey W. Hutchison**, Amsterdam, OH (US)
- (72) Inventors: **Jeffrey R. Hutchison**, Steubenville, OH (US); **Jeffrey W. Hutchison**, Amsterdam, OH (US)
- (**) Term: **15 Years**
- (21) Appl. No.: **29/591,622**
- (22) Filed: **Jan. 22, 2017**

D236,441 S *	8/1975	Lloyd	D8/394
D238,049 S *	12/1975	Hertzel	D8/380
D261,584 S *	11/1981	Enders	D8/394
D280,800 S *	10/1985	Chalberg	D8/380
D286,971 S *	12/1986	Lund	D8/394
5,322,264 A *	6/1994	Giambro	B25C 11/00 254/25
5,392,579 A *	2/1995	Champagne	E04D 1/34 52/520
6,079,696 A *	6/2000	Bette	B66F 15/00 254/131
D506,118 S *	6/2005	Rau	D8/89
D523,329 S *	6/2006	Klippel	D8/394
7,618,031 B2 *	11/2009	Weaver	B66F 15/00 269/131
D614,482 S *	4/2010	Hay	D8/394
D722,003 S *	2/2015	Gibson	D12/223
D757,532 S *	5/2016	Cerar	D10/103
D769,174 S *	10/2016	Badillo	D12/223

Related U.S. Application Data

- (63) Continuation of application No. 14/882,328, filed on Oct. 13, 2015, now Pat. No. 9,551,159.
- (51) **LOC (11) Cl.** **08-08**
- (52) **U.S. Cl.**
USPC **D8/394**
- (58) **Field of Classification Search**
USPC D8/356, 371, 394-396; D19/65, 56;
D25/58, 121, 122
CPC . E04B 9/067; E04B 9/068; E04B 9/12; E04B
9/18; E04B 9/30; E04B 2009/062; E04C
2003/0413; E04C 2003/0439; E04C
2003/046; E04G 3/26; A63B 27/00
See application file for complete search history.

References Cited

U.S. PATENT DOCUMENTS

D87,702 S *	9/1932	Aufiero	248/300
D204,906 S *	5/1966	Kus	D8/394
D213,802 S *	4/1969	Manville	D8/380

* cited by examiner

Primary Examiner — John Windmuller

(74) *Attorney, Agent, or Firm* — Gary P. Topolosky

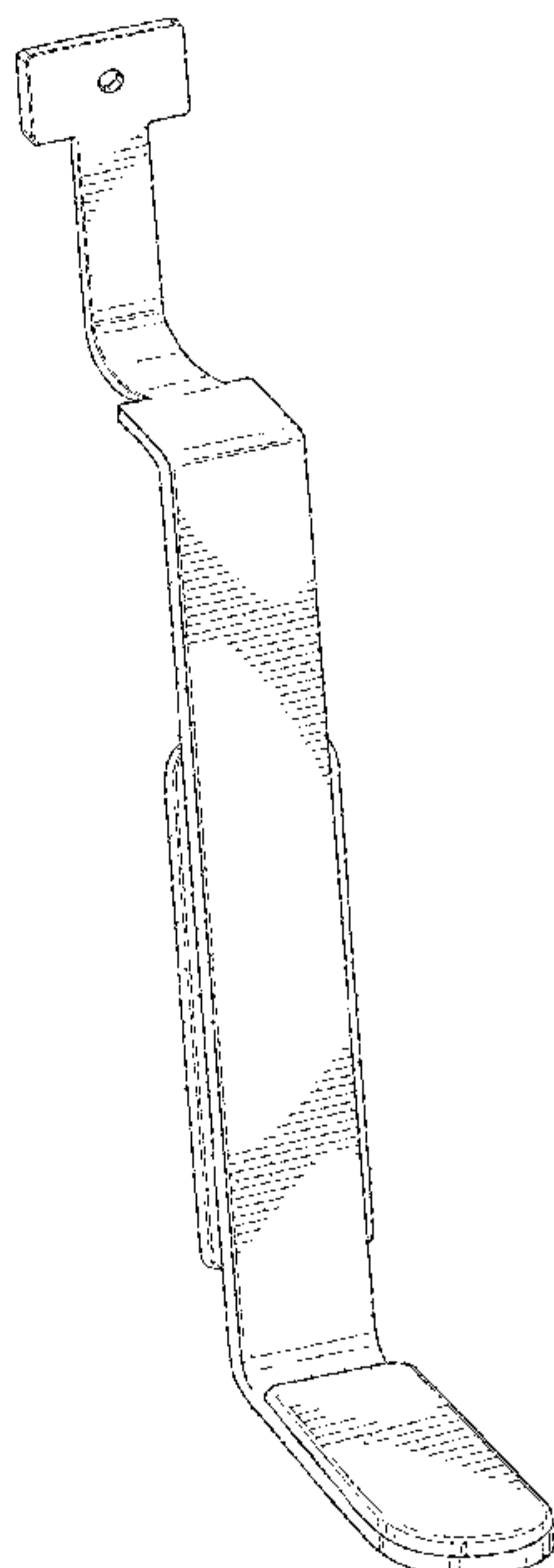
(57) **CLAIM**

The ornamental design for a board-free roof jack clip, as shown and described.

DESCRIPTION

FIG. 1 is a left front perspective view of a board-free roof jack clip showing our new design; FIG. 2 is a front elevation view thereof; FIG. 3 is a rear elevation view thereof; FIG. 4 is a top plan view thereof; FIG. 5 is a bottom plan view thereof; and, FIG. 6 is a left side elevation view thereof; the right side elevation view being a mirror image of FIG. 6.

1 Claim, 5 Drawing Sheets



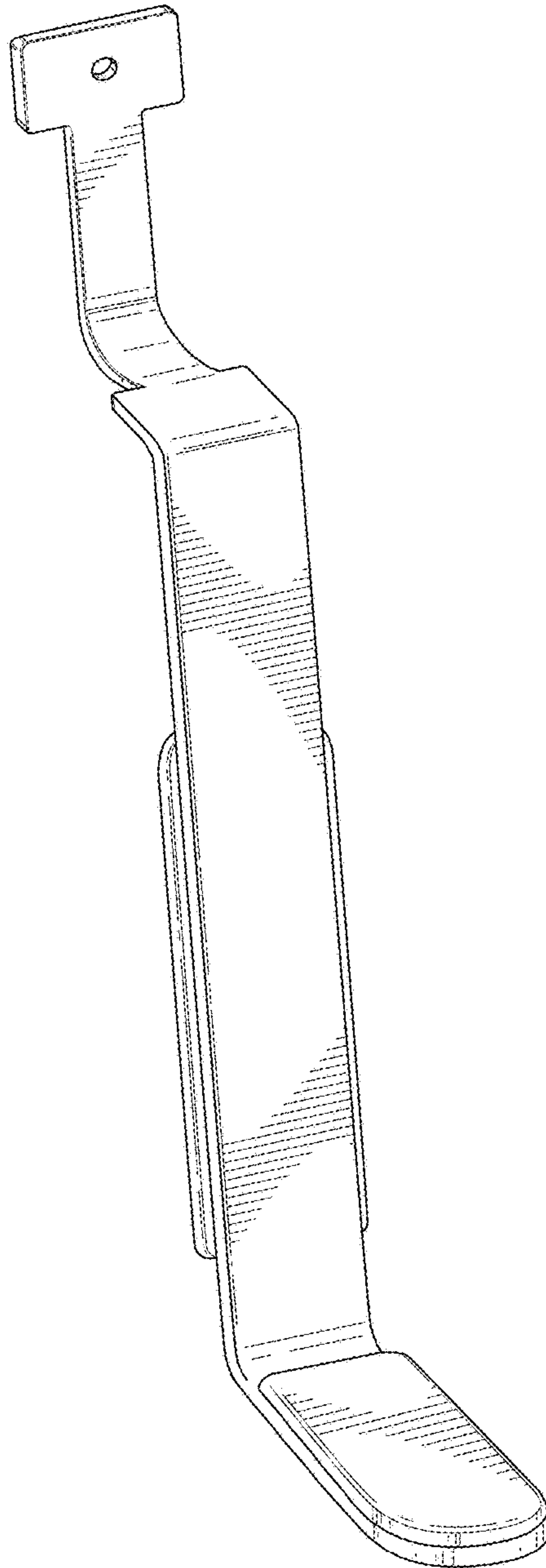


FIG. 1

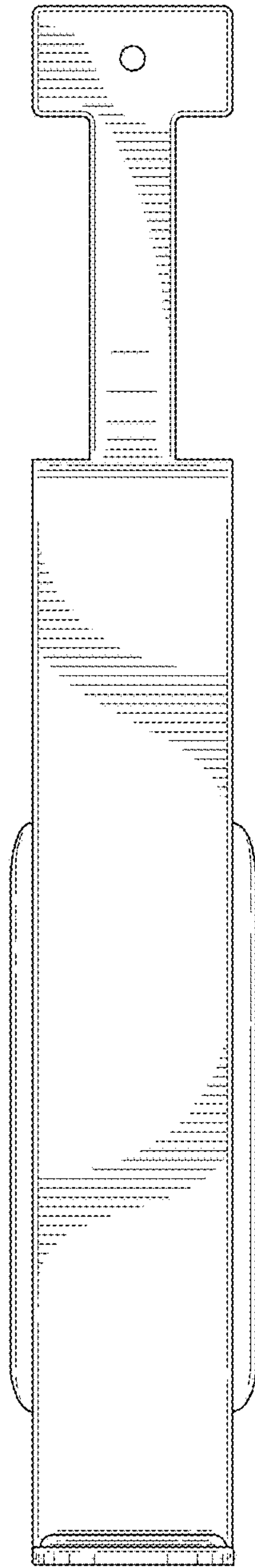


FIG. 2

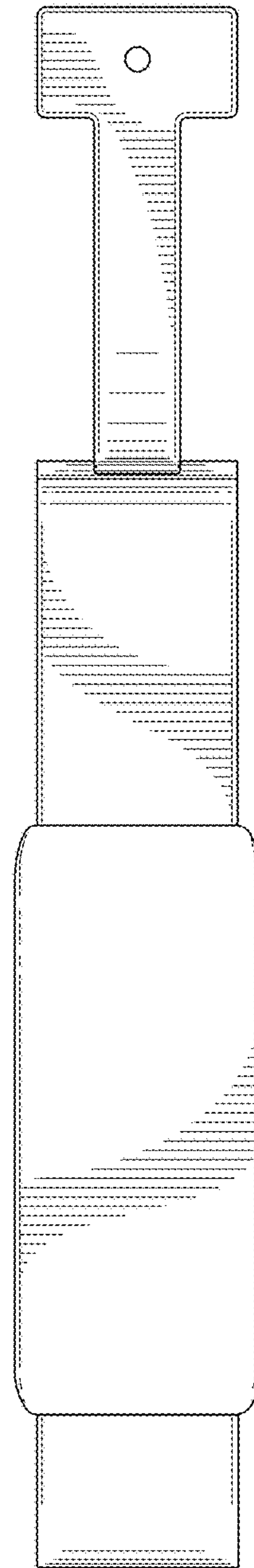


FIG. 3

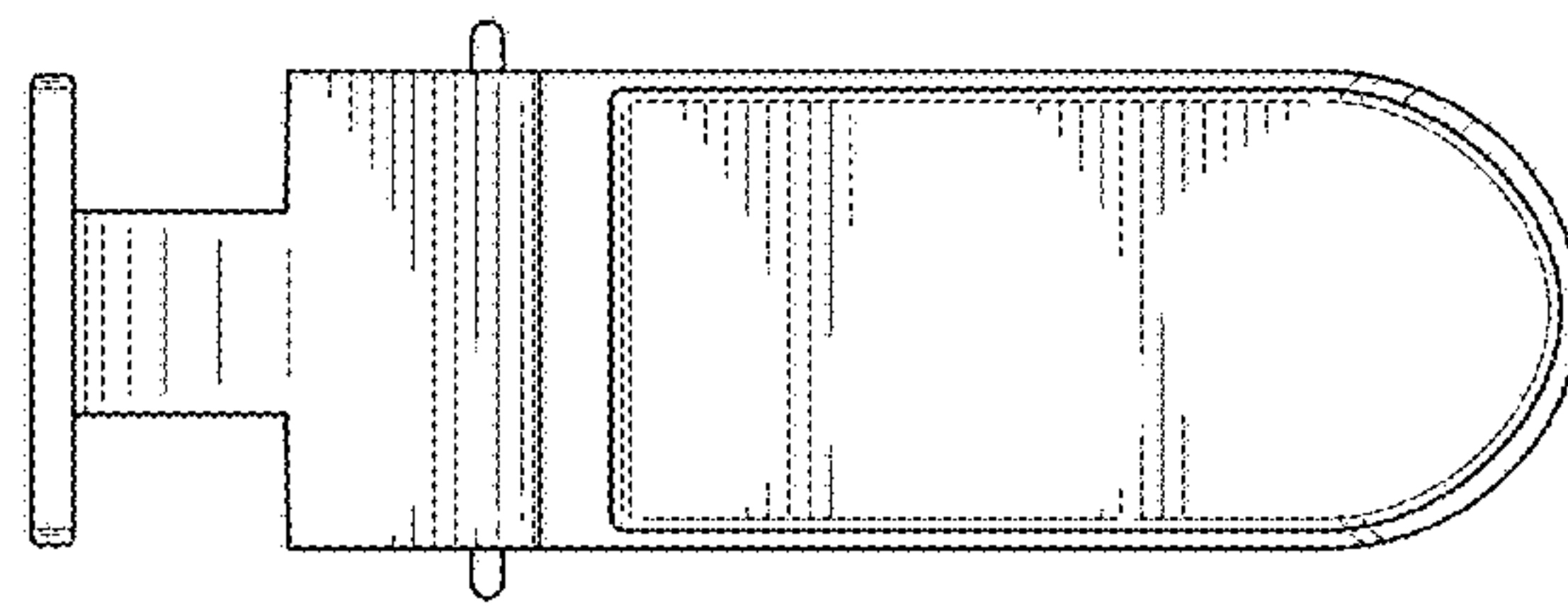


FIG. 4

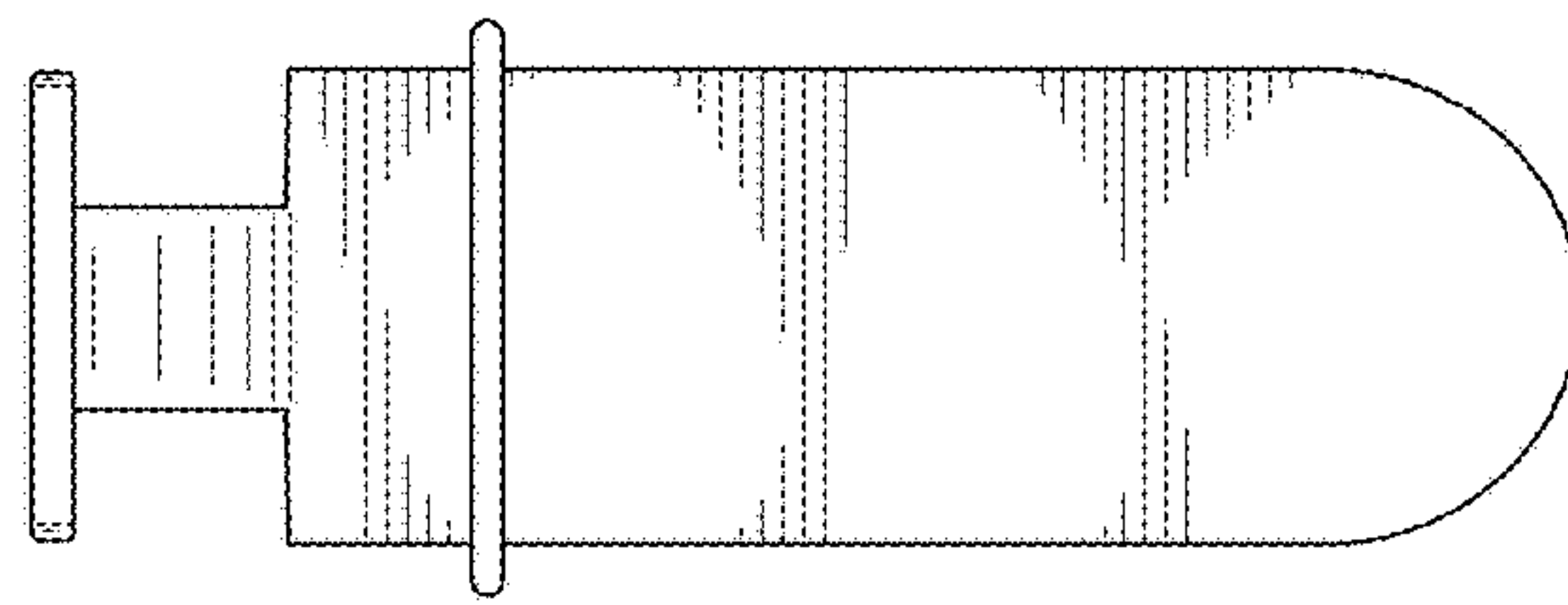


FIG. 5

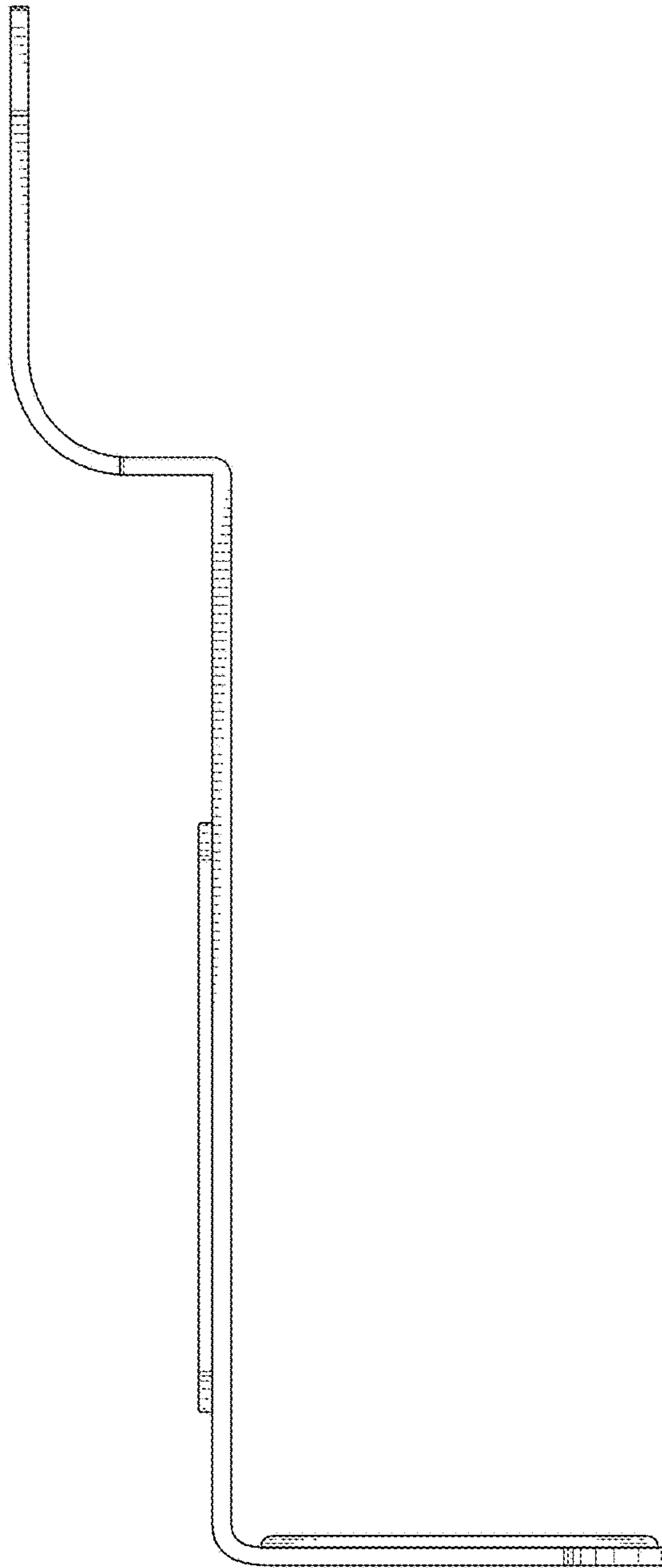


FIG. 6