



US00D845118S

(12) **United States Design Patent**
Liu

(10) **Patent No.:** **US D845,118 S**
(45) **Date of Patent:** **** Apr. 9, 2019**

(54) **SCREW**
(71) Applicant: **A-STAINLESS INTERNATIONAL CO., LTD., Taipei (TW)**
(72) Inventor: **Yin-Feng Liu, Taipei (TW)**
(73) Assignee: **A-STAINLESS INTERNATIONAL CO., LTD., Taipei (TW)**
(**) Term: **15 Years**
(21) Appl. No.: **29/601,251**

3,045,523 A * 7/1962 Reed F16B 25/0015
411/387.1
3,884,117 A * 5/1975 Eager B21K 1/56
408/226
4,599,024 A * 7/1986 Sano F16B 25/0021
408/228
4,781,506 A * 11/1988 Roberts F16B 25/0084
408/230
5,201,627 A * 4/1993 Biedenbach F16B 43/00
411/156
5,540,531 A * 7/1996 Choiniere F16B 25/0031
411/387.1
6,152,666 A * 11/2000 Walther F16B 25/0015
411/311

(Continued)

(22) Filed: **Apr. 20, 2017**
(51) **LOC (11) Cl.** **08-08**
(52) **U.S. Cl.**
USPC **D8/387**
(58) **Field of Classification Search**
USPC D8/385, 387, 388, 393, 349, 382
CPC .. F16B 23/00; F16B 23/0015; F16B 23/0023;
F16B 23/003; F16B 23/0038; F16B
23/0046; F16B 25/0036; F16B 25/0052;
F16B 25/0057; F16B 25/0063; F16B
25/0068; F16B 25/0078; F16B 25/0084;
F16B 35/041; F16B 35/044; F16B 35/06
See application file for complete search history.

Primary Examiner — Sandra S Snapp
Assistant Examiner — Ieisha N Price
(74) *Attorney, Agent, or Firm* — Muncy, Geissler, Olds & Lowe, P.C.

(57) **CLAIM**

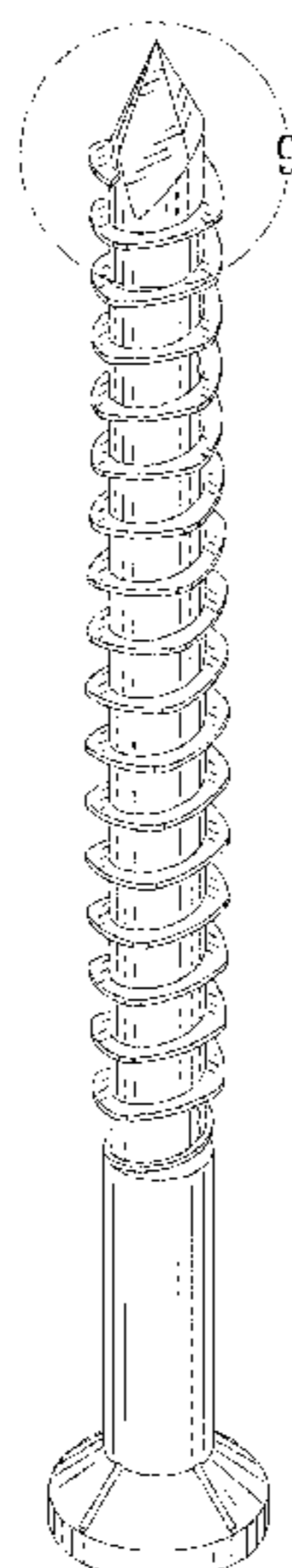
I claim the ornamental design for a screw, as shown and described.

DESCRIPTION

FIG. 1 is a front, right, top perspective view of a screw showing my new design;
FIG. 2 is a front elevational view thereof;
FIG. 3 is a rear elevational view thereof;
FIG. 4 is a left side view thereof;
FIG. 5 is a right side view thereof;
FIG. 6 is a top plan view thereof;
FIG. 7 is a bottom plan view thereof;
FIG. 8 is a front, left, bottom perspective view thereof;
FIG. 9 is an enlarged perspective view of the top portion of the claimed design taken along line 9 of FIG. 1;
FIG. 10 is a perspective sectional cut view of FIG. 9 taken along line 10-10; and,
FIG. 11 is an enlargement drawing of FIG. 6.

(56) **References Cited**
U.S. PATENT DOCUMENTS
234,759 A * 11/1880 Eckford F16B 35/06
411/399
449,037 A * 3/1891 Chapman F16B 23/0015
411/406
933,865 A * 9/1909 Umholtz F16B 35/06
411/399
1,908,080 A * 5/1933 Thompson F16B 23/0023
16/DIG. 39
2,816,473 A * 12/1957 Labbee A47G 3/00
411/406
2,959,086 A * 11/1960 Gerlach F16B 15/00
411/416

1 Claim, 8 Drawing Sheets



(56)

References Cited

U.S. PATENT DOCUMENTS

6,328,516 B1 * 12/2001 Hettich F16B 25/0015
411/311
6,698,987 B1 * 3/2004 Dicke F16B 25/0031
411/387.4
D557,131 S * 12/2007 Liu D8/387
D567,644 S * 4/2008 Liu D8/387
D581,776 S * 12/2008 Yin-Feng D8/387
D696,103 S * 12/2013 Hsu D8/387
2006/0165504 A1 * 7/2006 Huang F16B 13/0833
411/29
2007/0065255 A1 * 3/2007 Liu F16B 25/0052
411/411
2011/0170985 A1 * 7/2011 Vandenberg F16B 25/0015
411/393
2013/0309042 A1 * 11/2013 Chao F16B 25/0015
411/387.1
2016/0115989 A1 * 4/2016 Hubmann F16B 25/0036
411/411
2017/0108026 A1 * 4/2017 Yang F16B 25/103
2017/0122356 A1 * 5/2017 Lajewardi F16B 25/0052
2017/0138386 A1 * 5/2017 Hsu F16B 23/0023

* cited by examiner

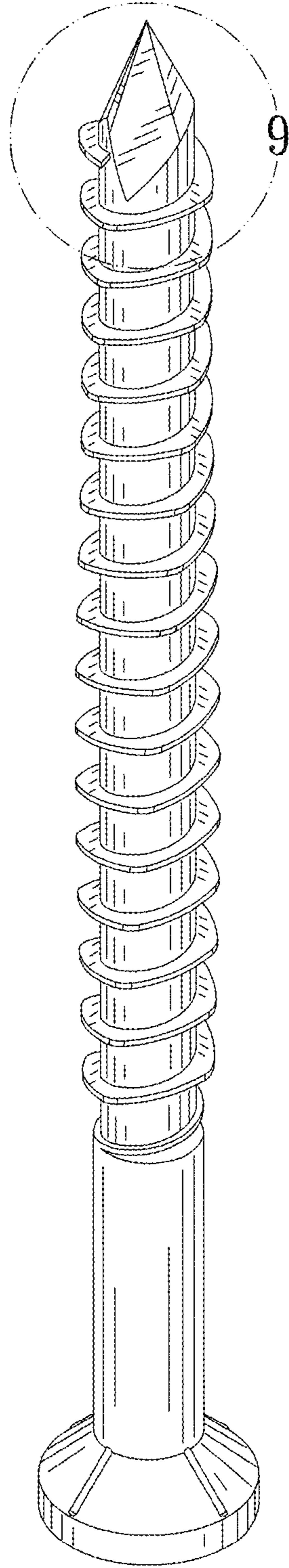


FIG. 1

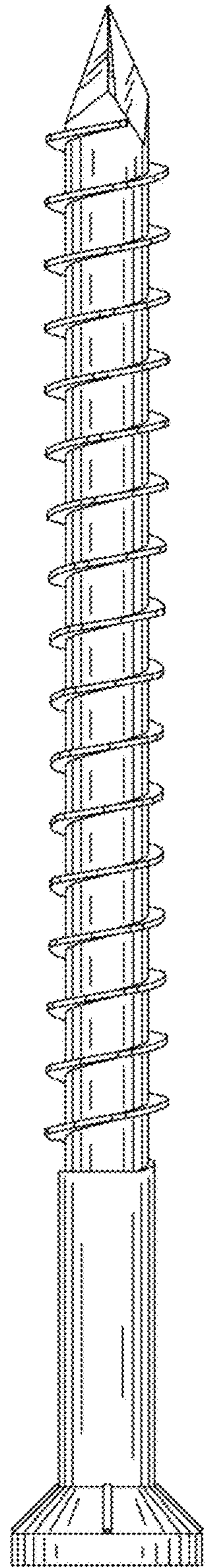


FIG. 2

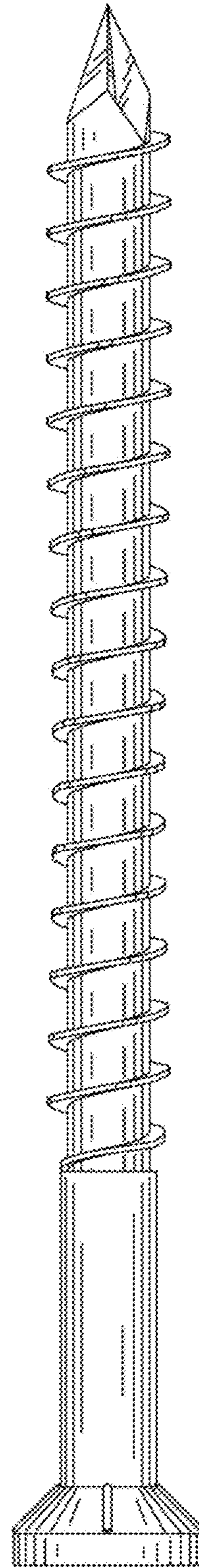


FIG. 3

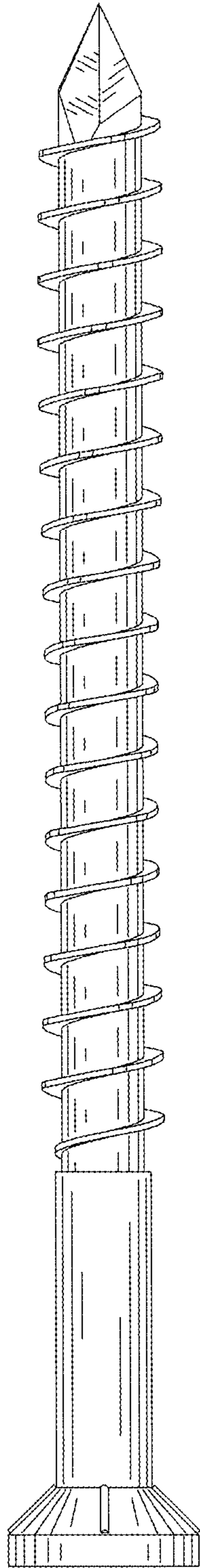


FIG. 4

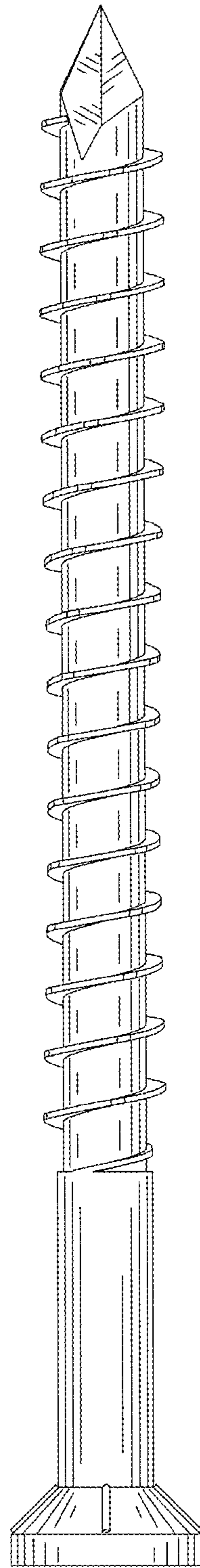


FIG. 5

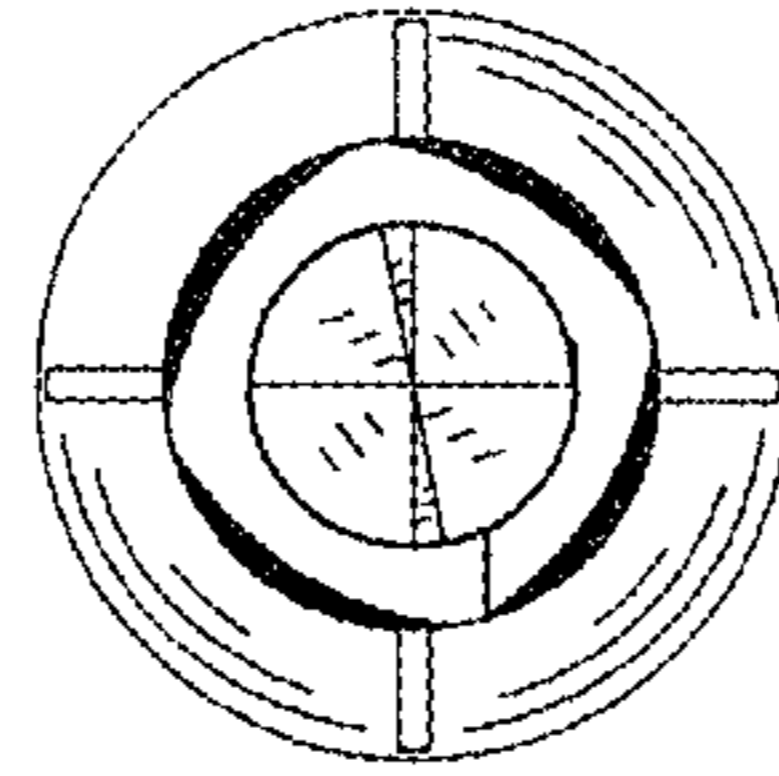


FIG. 6

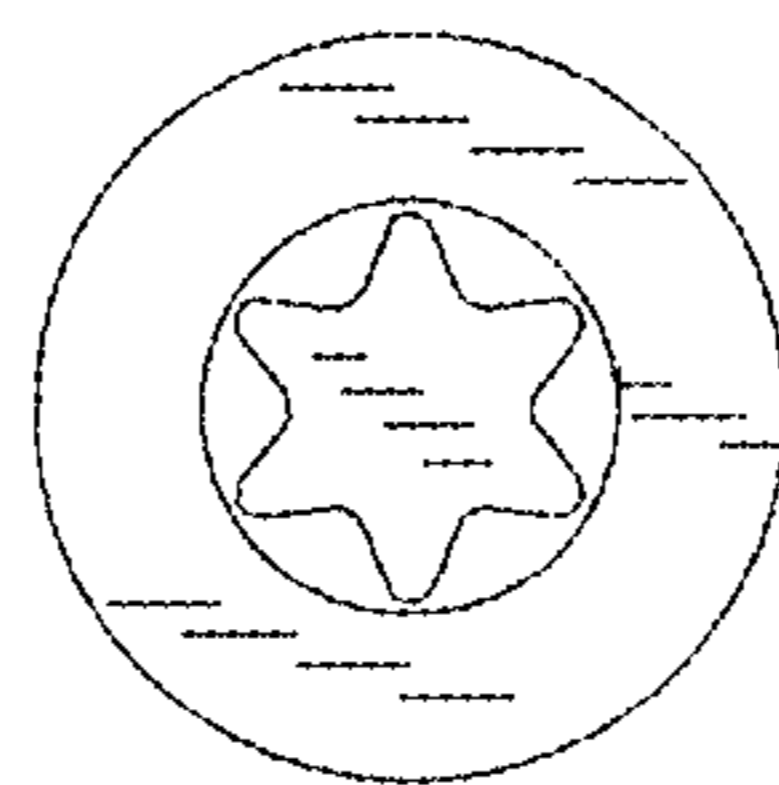


FIG. 7

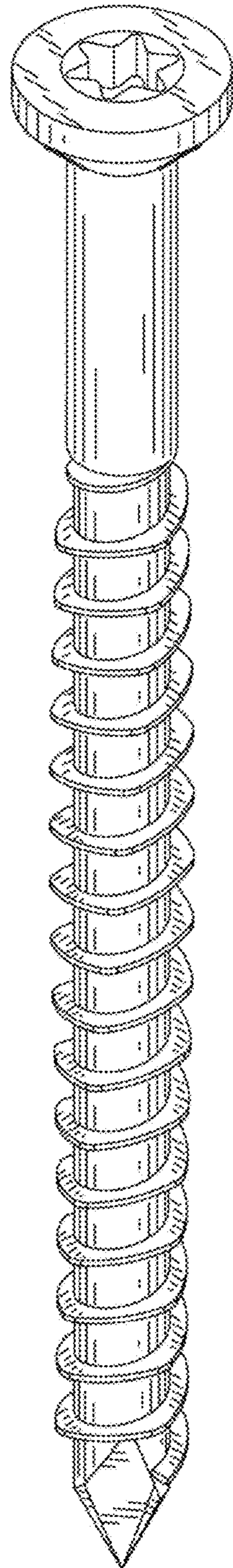


FIG. 8

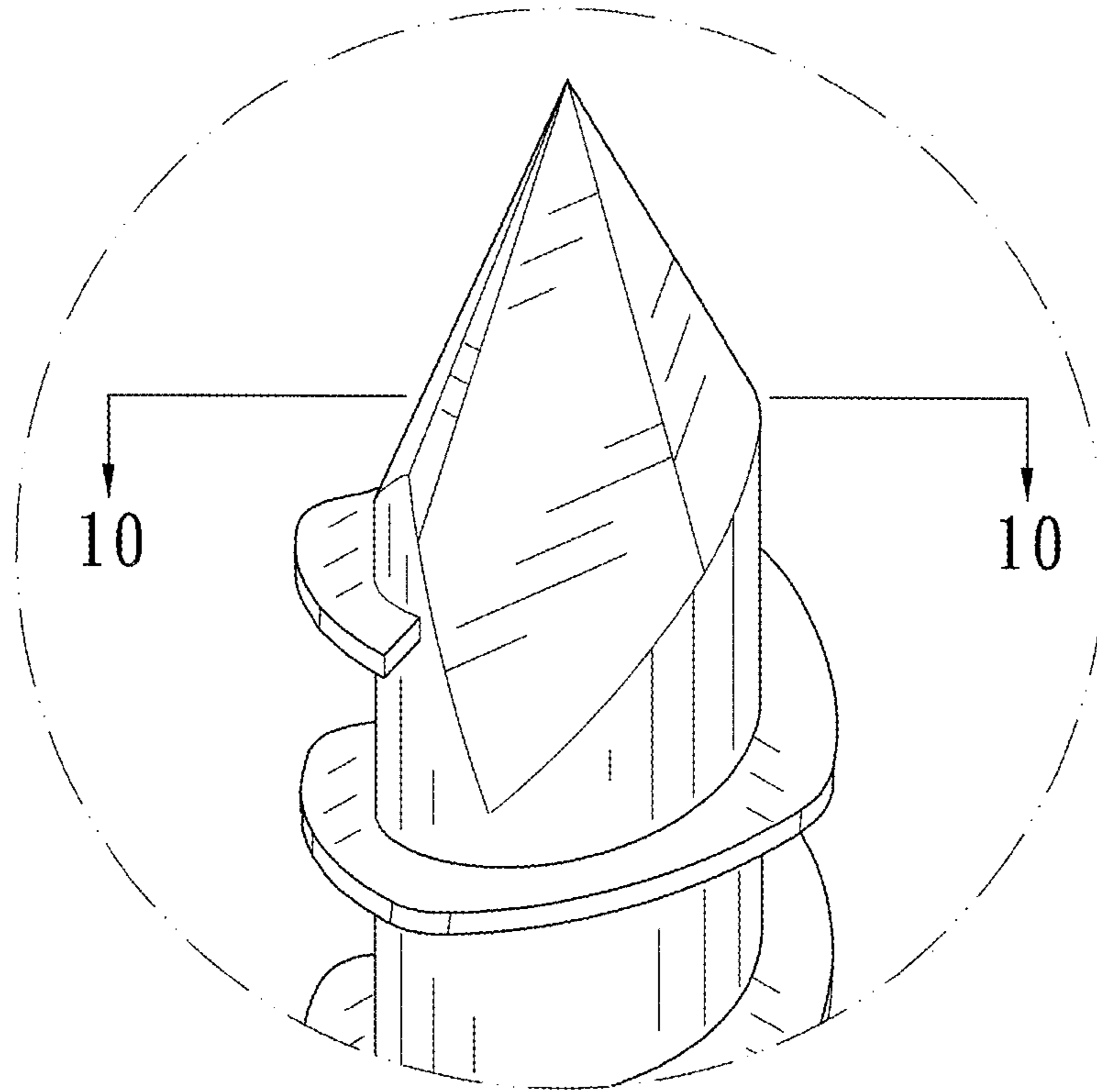


FIG. 9

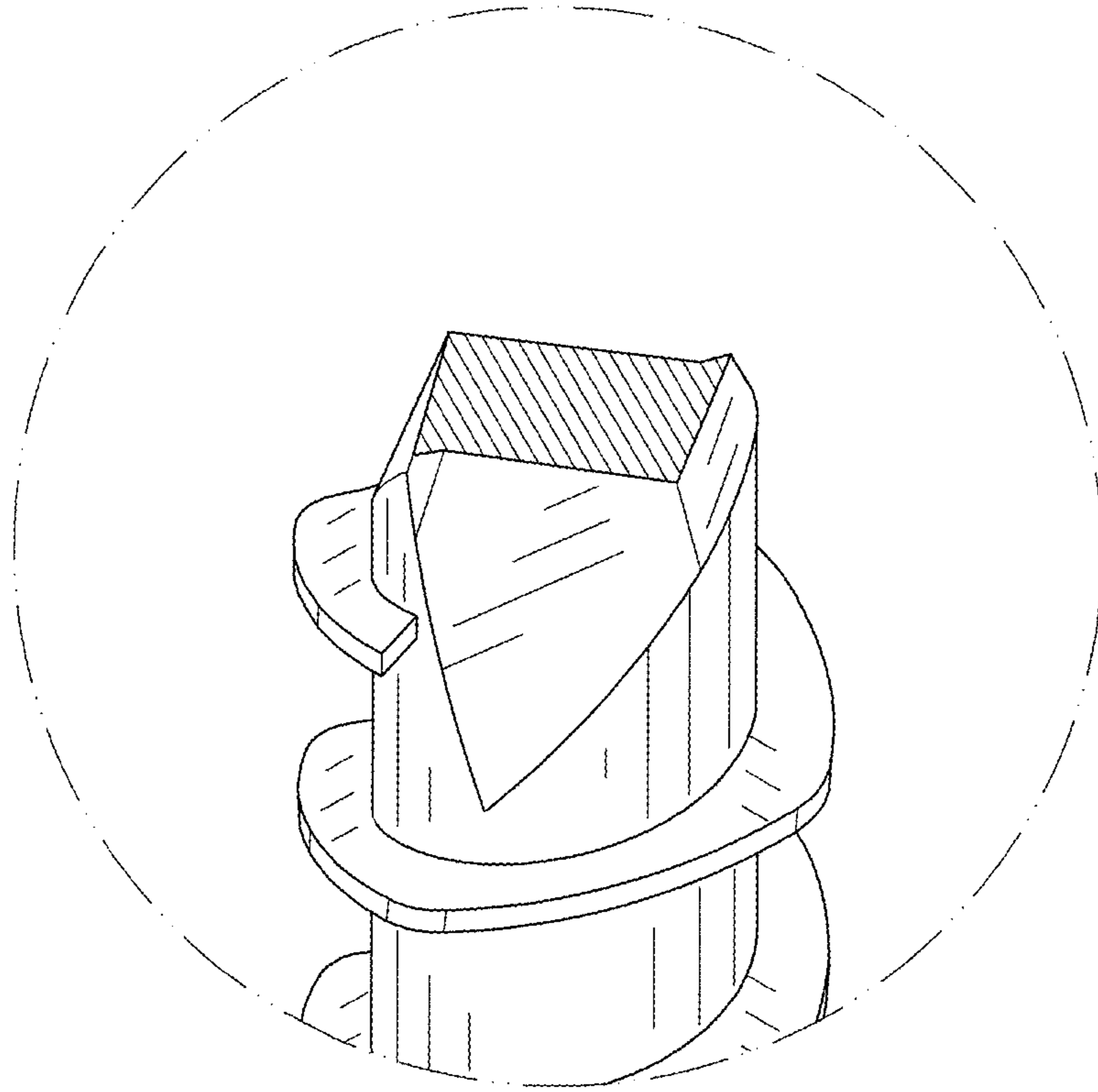


FIG. 10

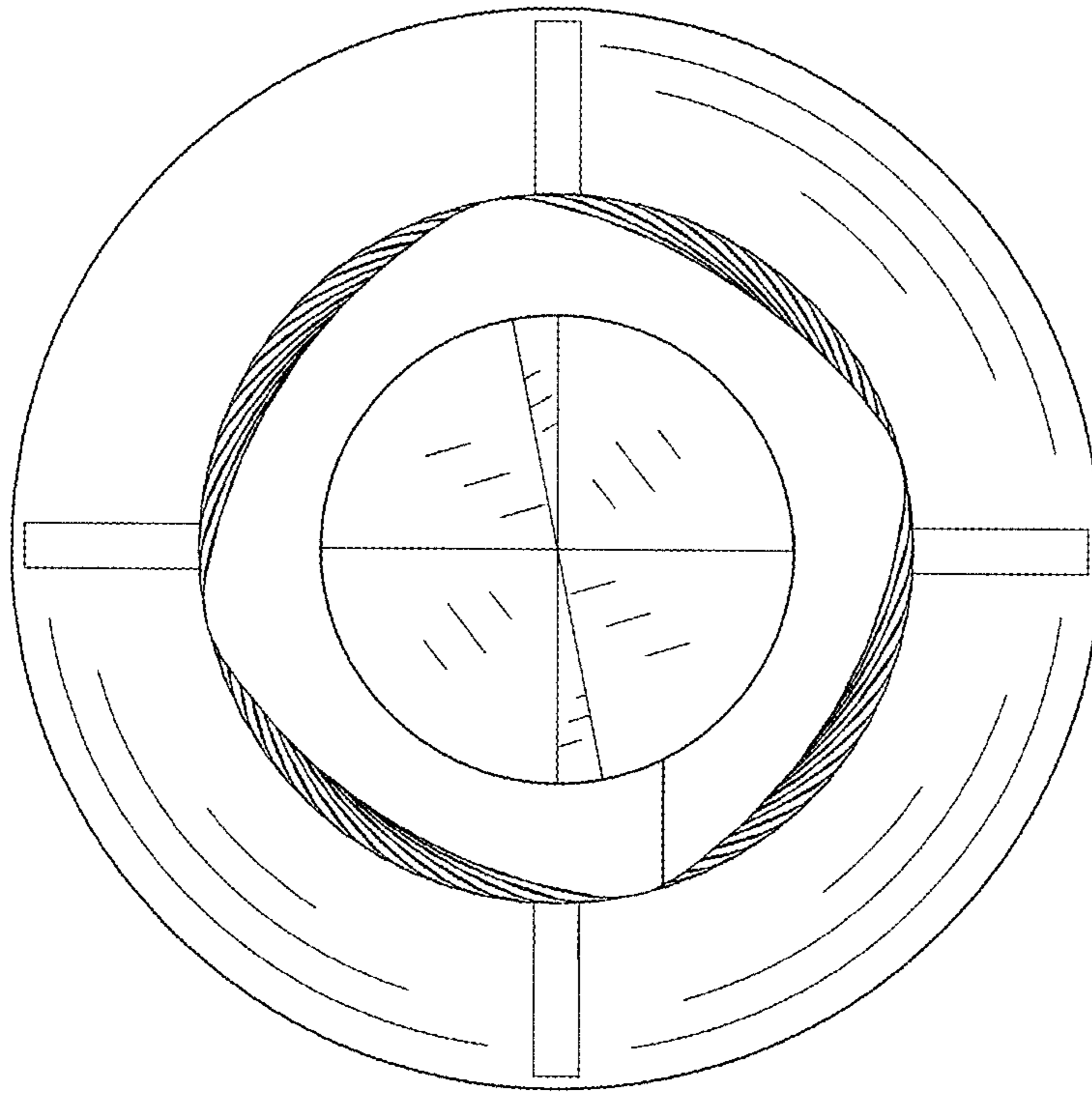


FIG. 11