

US00D845117S

(12) **United States Design Patent**
Stener

(10) **Patent No.:** **US D845,117 S**

(45) **Date of Patent:** **** Apr. 9, 2019**

(54) **ADAPTOR RAIL WITH BALL MOUNT FOR SUPPORTING AN ELECTRONIC DEVICE**

(71) Applicant: **Wild West Investments, LLC**, Dallas, TX (US)

(72) Inventor: **Gavin Stener**, Dallas, TX (US)

(73) Assignee: **Wild West Investments, LLC**, Dallas, TX (US)

(**) Term: **15 Years**

(21) Appl. No.: **29/663,168**

(22) Filed: **Sep. 12, 2018**

Related U.S. Application Data

(62) Division of application No. 29/654,050, filed on Jun. 20, 2018, now Pat. No. Des. 838,579.

(51) **LOC (11) Cl.** **08-05**

(52) **U.S. Cl.**
USPC **D8/380**

(58) **Field of Classification Search**

USPC D14/371-382, 125-129, 336, 337, D14/447-452, 492, 335, 239, 457, D14/439-441, 432, 251-253, 413, 416; D8/349, 354, 363, 373, 376, 380, 356, D8/377, 381; D21/333, 565; D12/133, D12/415; D3/10, 218; 348/180, 184, 348/325, 739, 825; 248/323, 278.1, 248/286.1; D6/580; D13/122; D25/119, D25/124

CPC G06F 3/0412; G06F 3/016; G06F 3/0488; G06F 3/011; G06F 3/038; G06F 3/03543; G06F 3/0338; G06F 3/0202; G06F 3/0219; G06F 3/0213; G06F 1/1616; G06F 3/023; G06F 3/04883; G02F 1/13338; G02F 1/1313; G02F 1/1333; G02F 1/135; G02F 1/132; G02F 1/133308; G02F 1/134309; G02F 1/13718; G09G 3/3648; G06K 15/1252;

B41J 2/465; G03F 7/70291; G02B 27/0172; G02B 5/30; G02B 2027/0118; G02B 27/0101; F16M 13/02; F16M 13/00; F16M 11/10; F16M 11/04; F16M 2200/08; F16M 11/2021; A47B 21/0314; A47B 88/044; A47B 2021/0335; H02G 3/126; F16B 47/00; F16B 47/006; A47G 1/17; A47K 2201/00

See application file for complete search history.

(56) **References Cited**

U.S. PATENT DOCUMENTS

D290,719 S 7/1987 Holloway
4,948,313 A * 8/1990 Zankovich E04B 1/4107
411/103

D317,331 S 6/1991 Holloway
D373,761 S 9/1996 Yu
D390,709 S 2/1998 Moore

(Continued)

Primary Examiner — Katie Jane Stofko

(74) *Attorney, Agent, or Firm* — Dentons US LLP

(57) **CLAIM**

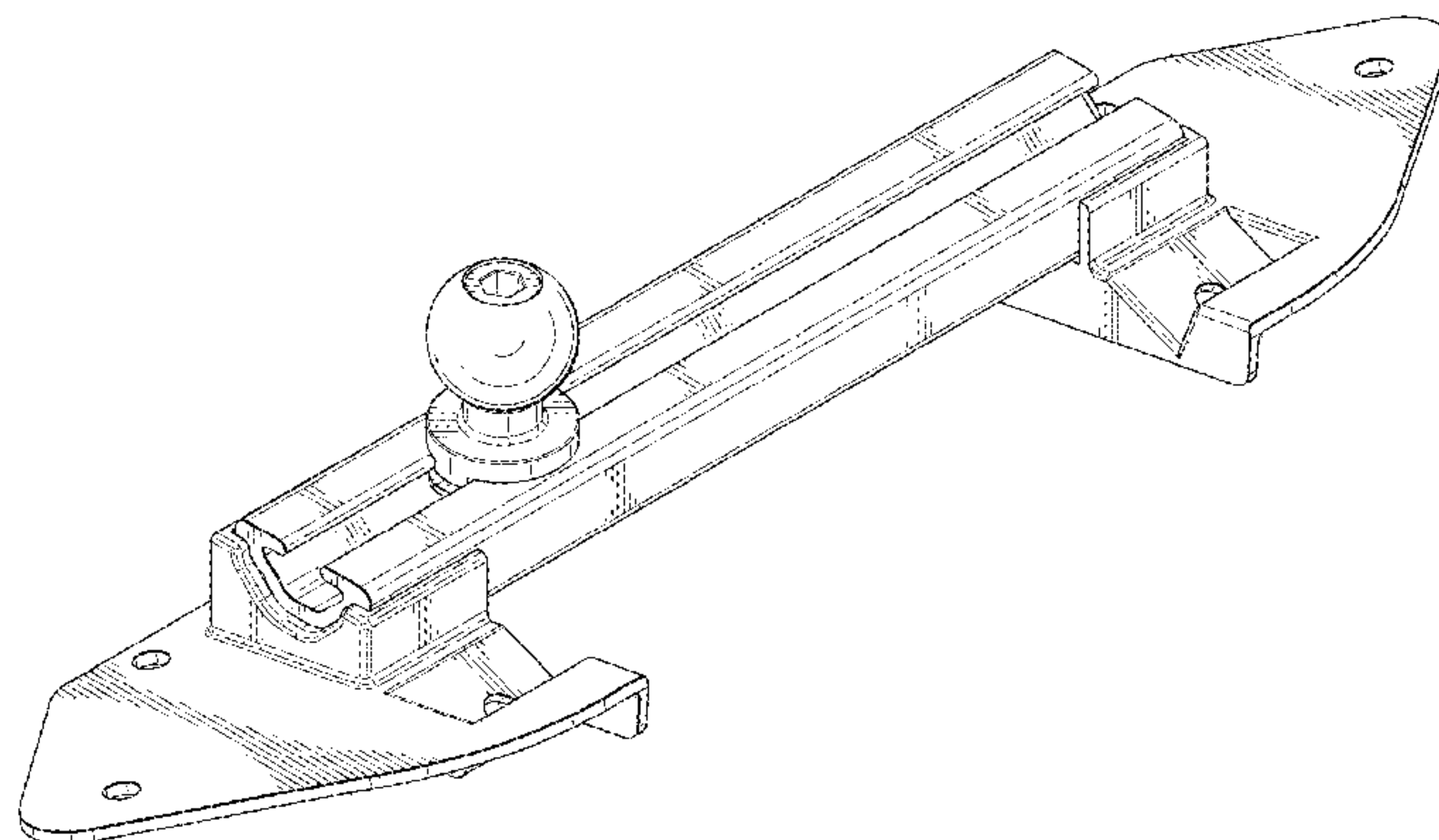
An ornamental design for an adaptor rail with ball mount for supporting an electronic device, as shown and described.

DESCRIPTION

FIG. 1 is a front, top, left perspective view of an adaptor rail with ball mount for supporting an electronic device;
FIG. 2 is a front elevation view thereof;
FIG. 3 is a rear elevation view thereof;
FIG. 4 is a right side elevation view thereof;
FIG. 5 is a left side elevation view thereof;
FIG. 6 is a top plan view thereof; and,
FIG. 7 is a bottom plan view thereof.

The broken lines shown in FIG. 7 illustrate portions of the adaptor rail with ball mount for supporting an electronic device that form no part of the claimed design.

1 Claim, 4 Drawing Sheets



(56)

References Cited

U.S. PATENT DOCUMENTS

5,855,342 A *	1/1999	Hawkins	F16L 3/24	D741,689 S	10/2015	Metzler	
				248/55	D748,640 S	2/2016	Hart	
D409,182 S	5/1999	Tyler			D753,983 S	4/2016	Toye	
5,984,243 A *	11/1999	Pfaller	F16L 3/1066	D754,527 S	4/2016	Green	
				248/74.1	9,494,400 B1 *	11/2016	Allemann G01B 5/02
D554,137 S	10/2007	Richter			9,671,060 B1 *	6/2017	Cifers F16M 13/02
7,401,995 B2 *	7/2008	Senakiewich, II	B60P 7/0815	D792,418 S	7/2017	Stener	
				403/374.4	9,717,329 B2 *	8/2017	Hazzard A47B 21/02
D592,487 S	5/2009	Tedesco			2004/0251388 A1	12/2004	Williams	
D657,783 S	4/2012	Mo			2005/0045779 A1	3/2005	Nan	
D686,622 S	7/2013	Rey			2007/0120036 A1 *	5/2007	Olle F16L 3/24
8,497,760 B2 *	7/2013	Whalen	G10H 1/0008				248/615
				340/4.1	2012/0045276 A1 *	2/2012	Carnevali F16B 7/20
D718,298 S	11/2014	Aspinall						403/350
D723,559 S	3/2015	Hein			2013/0248668 A1 *	9/2013	Lu H02S 20/00
D732,519 S	6/2015	Aspinall						248/222.14
D733,116 S	6/2015	Aspinall			2015/0030386 A1 *	1/2015	Carnevali F16B 21/02
								403/348
					2018/0306233 A1 *	10/2018	Burton F16C 11/0623

* cited by examiner

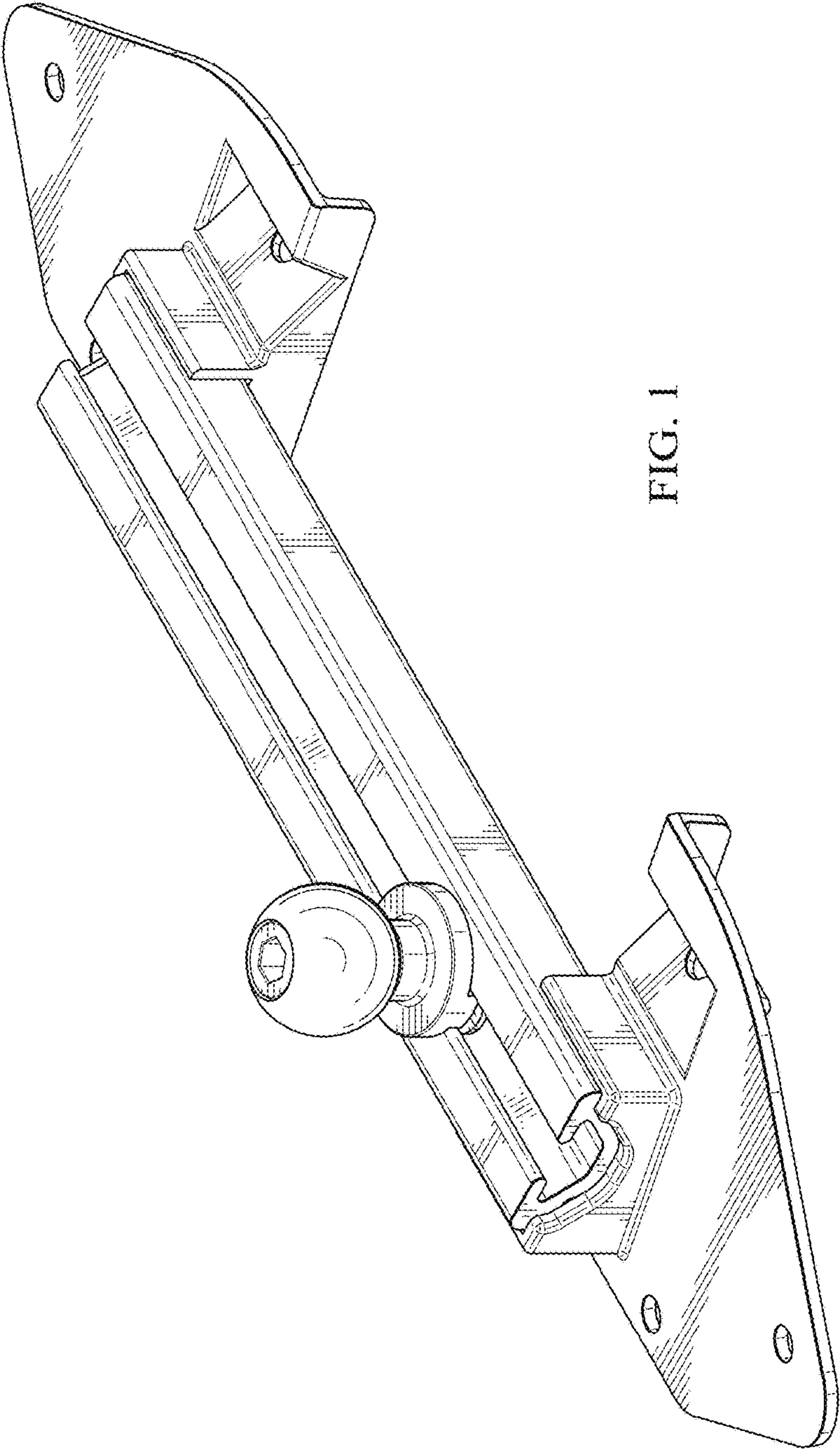


FIG. 1

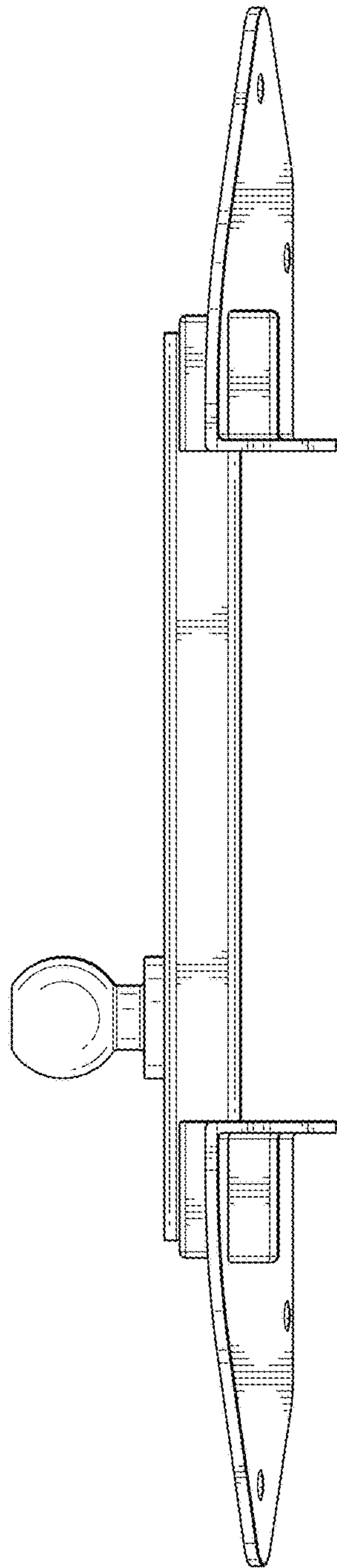


FIG. 2

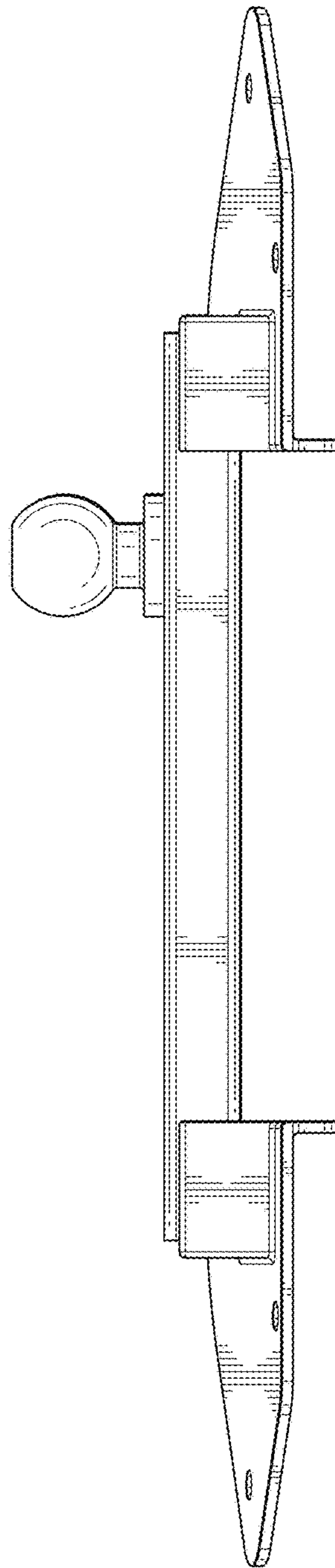


FIG. 3

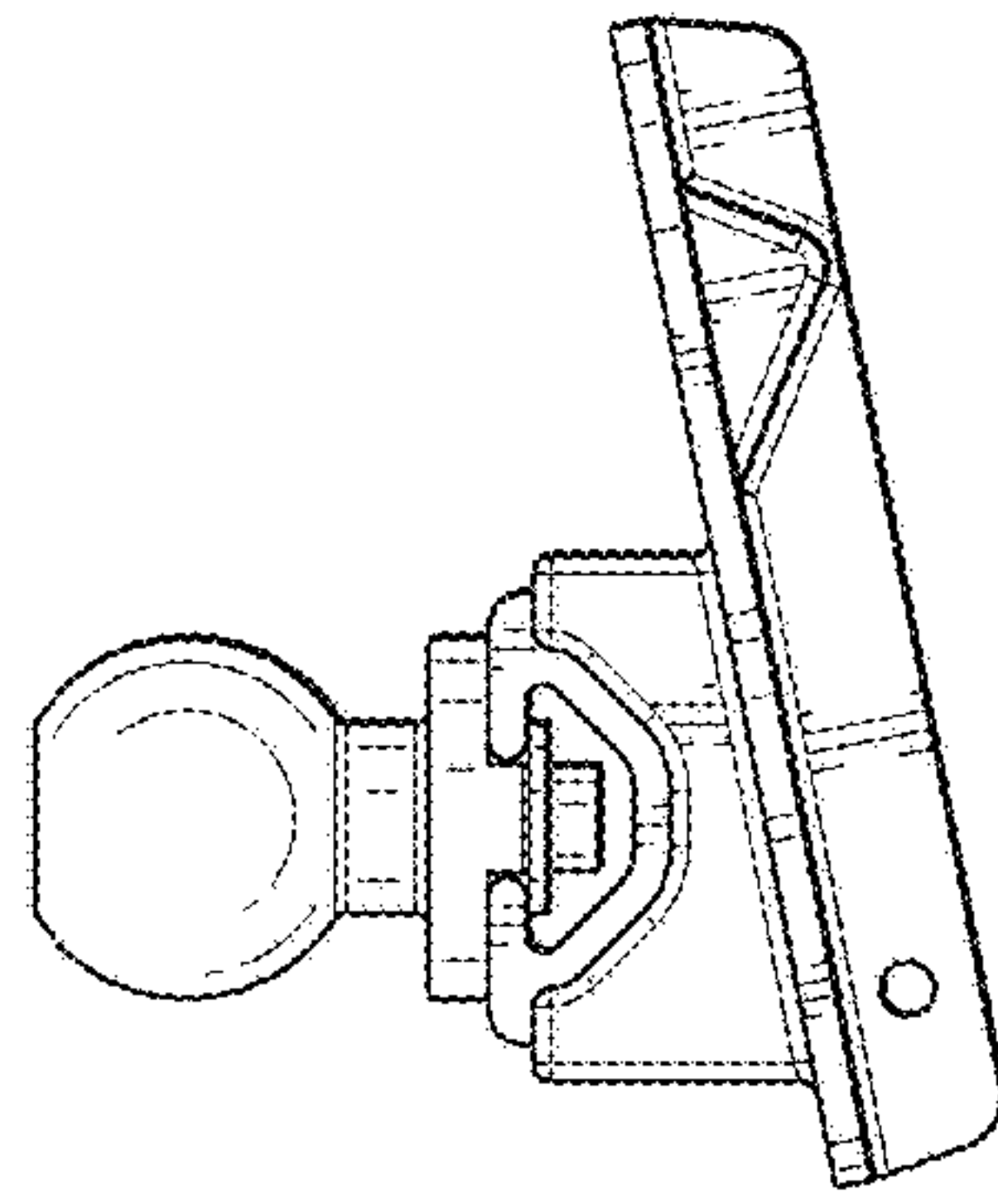


FIG. 5

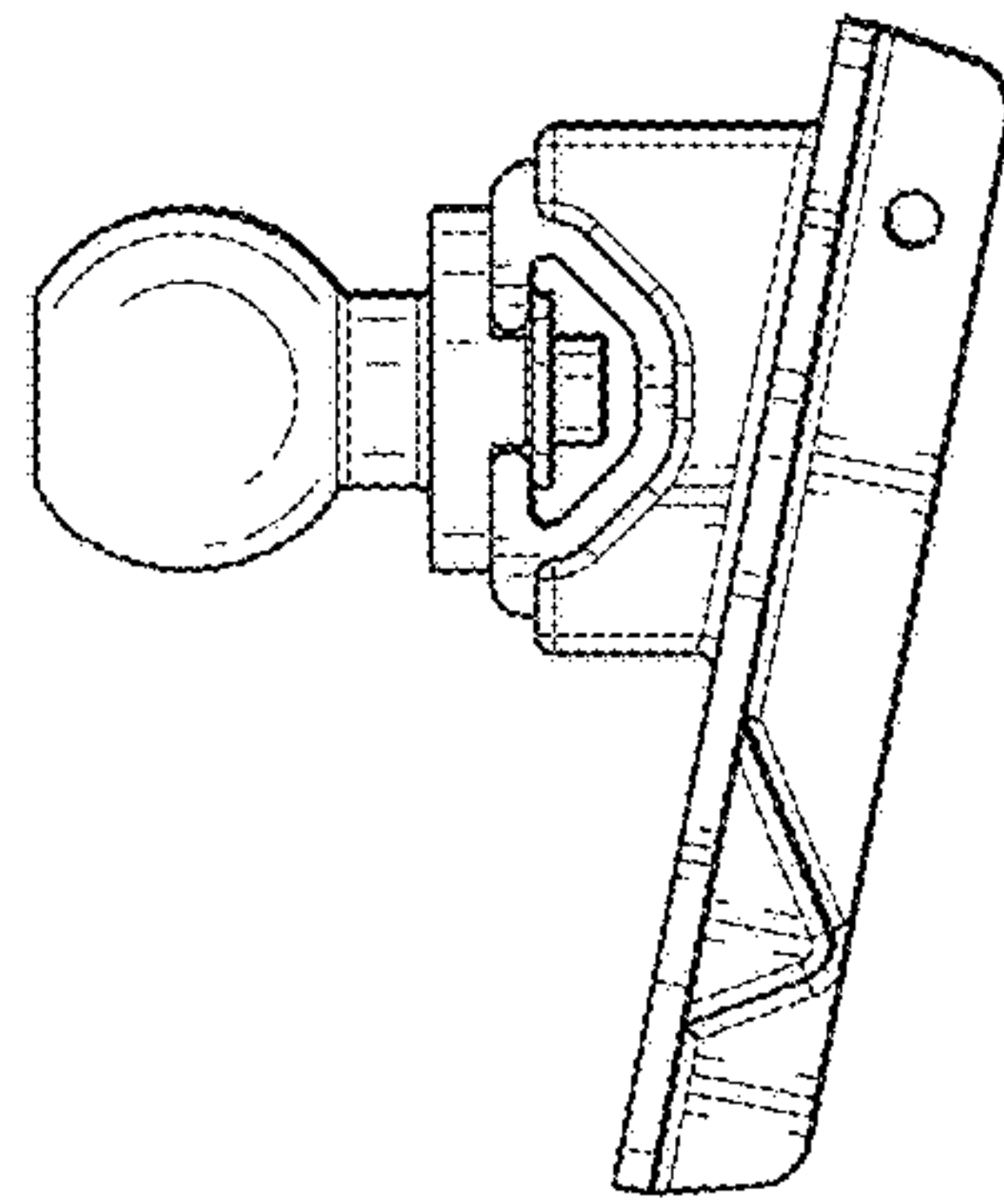


FIG. 4

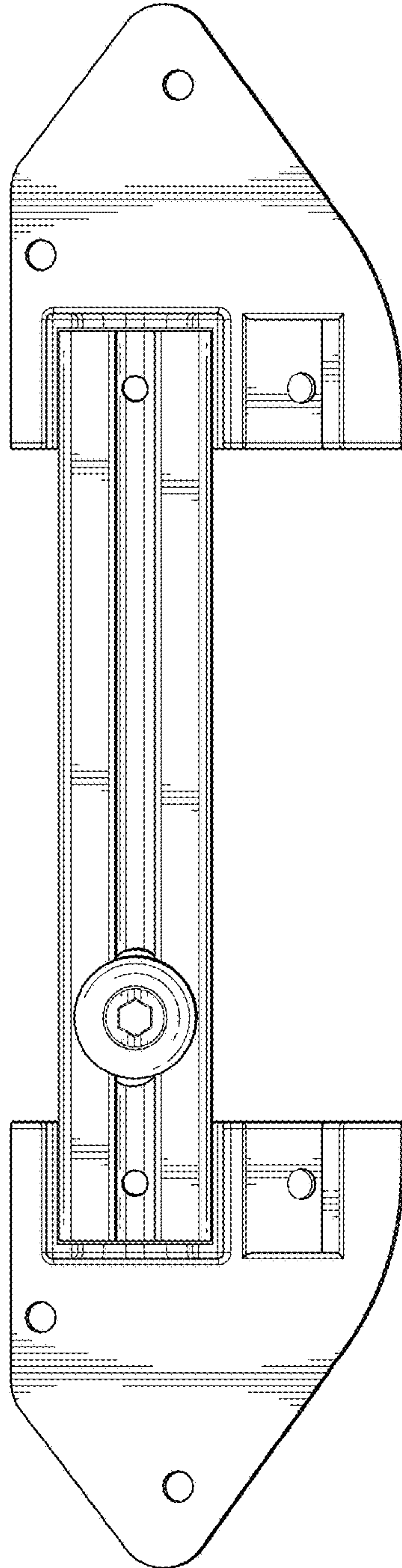


FIG. 6

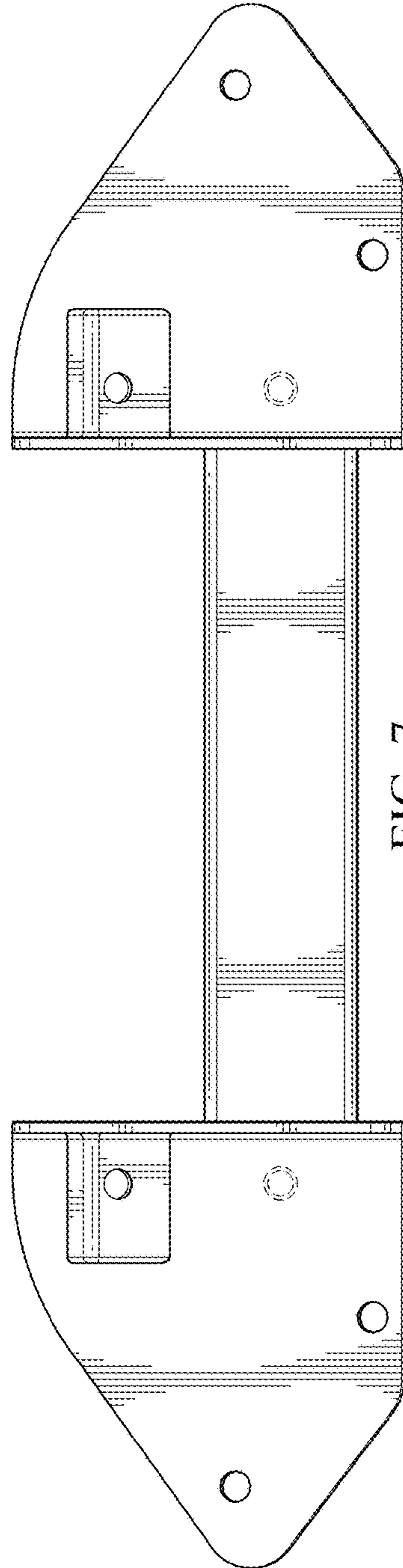


FIG. 7