



US00D845116S

(12) **United States Design Patent**  
**Wokutch et al.**

(10) **Patent No.:** **US D845,116 S**  
(45) **Date of Patent:** **\*\* Apr. 9, 2019**

- (54) **STUD FRAMING GUIDE**
- (71) Applicants: **Jason Thomas Wokutch**, Fairview, PA (US); **Michael Paul**, Chicora, PA (US); **Joshua Gloeckner**, Erie, PA (US)
- (72) Inventors: **Jason Thomas Wokutch**, Fairview, PA (US); **Michael Paul**, Chicora, PA (US); **Joshua Gloeckner**, Erie, PA (US)
- (73) Assignee: **Jason Thomas Wokutch**, Fairview, PA (US)

- 3,537,221 A \* 11/1970 Helfman ..... E04B 5/12  
403/232.1
- 3,831,338 A \* 8/1974 Klingensmith ..... F16B 7/00  
403/231
- 3,907,445 A \* 9/1975 Wendt ..... E04B 1/2612  
403/191
- D242,037 S \* 10/1976 France ..... D25/61
- D248,275 S \* 6/1978 Gilb ..... D8/380
- D257,325 S \* 10/1980 Jones ..... D25/199
- D474,676 S \* 5/2003 Bainbridge ..... D8/354
- D484,029 S \* 12/2003 Bainbridge ..... D8/380
- D558,039 S \* 12/2007 Skinner ..... D8/354

(Continued)

(\*\*) Term: **15 Years**

(21) Appl. No.: **29/618,406**

(22) Filed: **Sep. 21, 2017**

(51) **LOC (11) Cl.** ..... **08-08**

(52) **U.S. Cl.**  
USPC ..... **D8/380**; D25/133

(58) **Field of Classification Search**  
USPC ..... D8/354, 363, 366, 373, 376, 380, 382,  
D8/394, 395; D25/61, 133, 199  
CPC .... E04B 1/2403; E04B 1/2604; E04B 1/2608;  
E04B 1/2612; E04B 2001/2616; E04B  
2001/2644; E04B 5/12; F16B 7/00  
See application file for complete search history.

(56) **References Cited**

**U.S. PATENT DOCUMENTS**

- 529,331 A \* 11/1894 Lane ..... E04B 1/2403  
403/189
- 2,369,687 A \* 2/1945 Ralston ..... E04B 1/2608  
296/30
- D186,812 S \* 12/1959 Reidelbach ..... D25/199
- 3,036,347 A \* 5/1962 Findleton ..... E04B 1/2612  
403/217
- 3,184,800 A \* 5/1965 Nelson ..... E04B 1/2608  
403/217
- D203,133 S \* 12/1965 Senek et al. .... 52/241

**FOREIGN PATENT DOCUMENTS**

- GB 2065993 \* 8/1997
- GB 4003020 \* 6/2007
- JP D1455498 \* 11/2012

**OTHER PUBLICATIONS**

- <https://vimeo.com/258786636> Mar. 6, 2018 (Year: 2018).\*
- <https://www.facebook.com/FastFramer/> Dec. 15, 2017 (Year: 2017).\*

*Primary Examiner* — Leanne Was-Englehart  
(74) *Attorney, Agent, or Firm* — Ulmer & Berne LLP

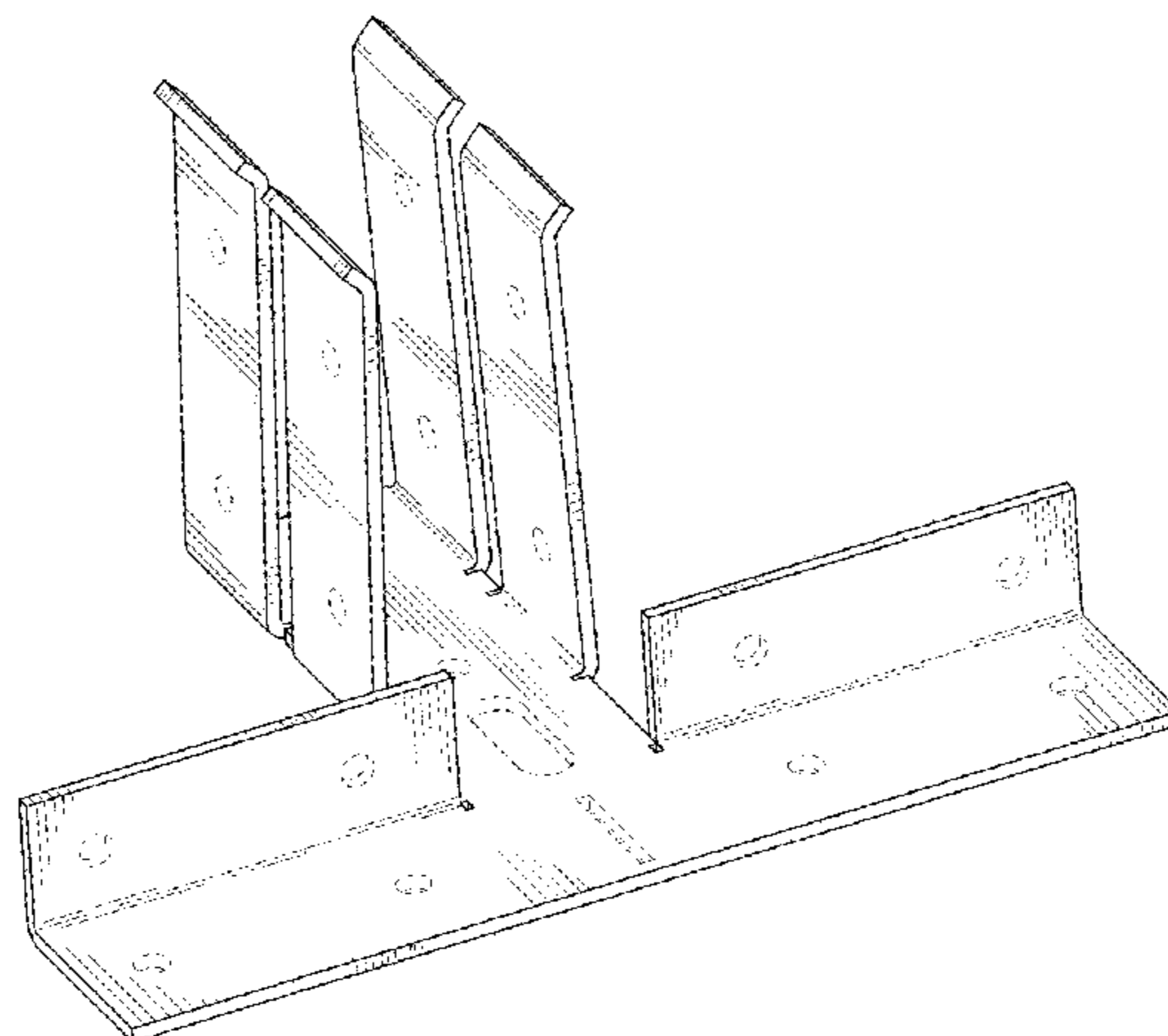
(57) **CLAIM**

The ornamental design for a stud framing guide, as shown and described.

**DESCRIPTION**

FIG. 1 is a perspective view of a stud framing guide; FIG. 2 is a back view thereof; FIG. 3 is a front view thereof; FIG. 4 is a top view thereof; FIG. 5 is a bottom view thereof; FIG. 6 is a left side view thereof; and, FIG. 7 is a right side view thereof. The broken lines in the drawings depict portions of the stud framing guide that form no part of the claimed design.

**1 Claim, 4 Drawing Sheets**



(56)

**References Cited**

U.S. PATENT DOCUMENTS

D558,040 S \* 12/2007 Skinner ..... D8/354  
D558,041 S \* 12/2007 Skinner ..... D8/354  
D611,887 S \* 3/2010 Peschmann ..... D12/223  
D659,522 S \* 5/2012 Notumo ..... F16B 5/0028  
D8/382  
D664,028 S \* 7/2012 Stehler ..... D8/384  
D664,029 S \* 7/2012 Mathur ..... D8/380  
D665,656 S \* 8/2012 Anzelmo ..... D8/380  
D668,562 S \* 10/2012 Madrack ..... D10/65  
D672,885 S \* 12/2012 Yoder ..... D25/119  
D724,418 S \* 3/2015 Fairchild ..... D8/380  
D787,304 S \* 5/2017 Rathman ..... D8/380  
D813,020 S \* 3/2018 DeDios-Shirley ..... D8/380  
D815,515 S \* 4/2018 White ..... D8/380  
2013/0247499 A1 \* 9/2013 Zimmerman ..... E04B 1/2608  
52/582.1

\* cited by examiner

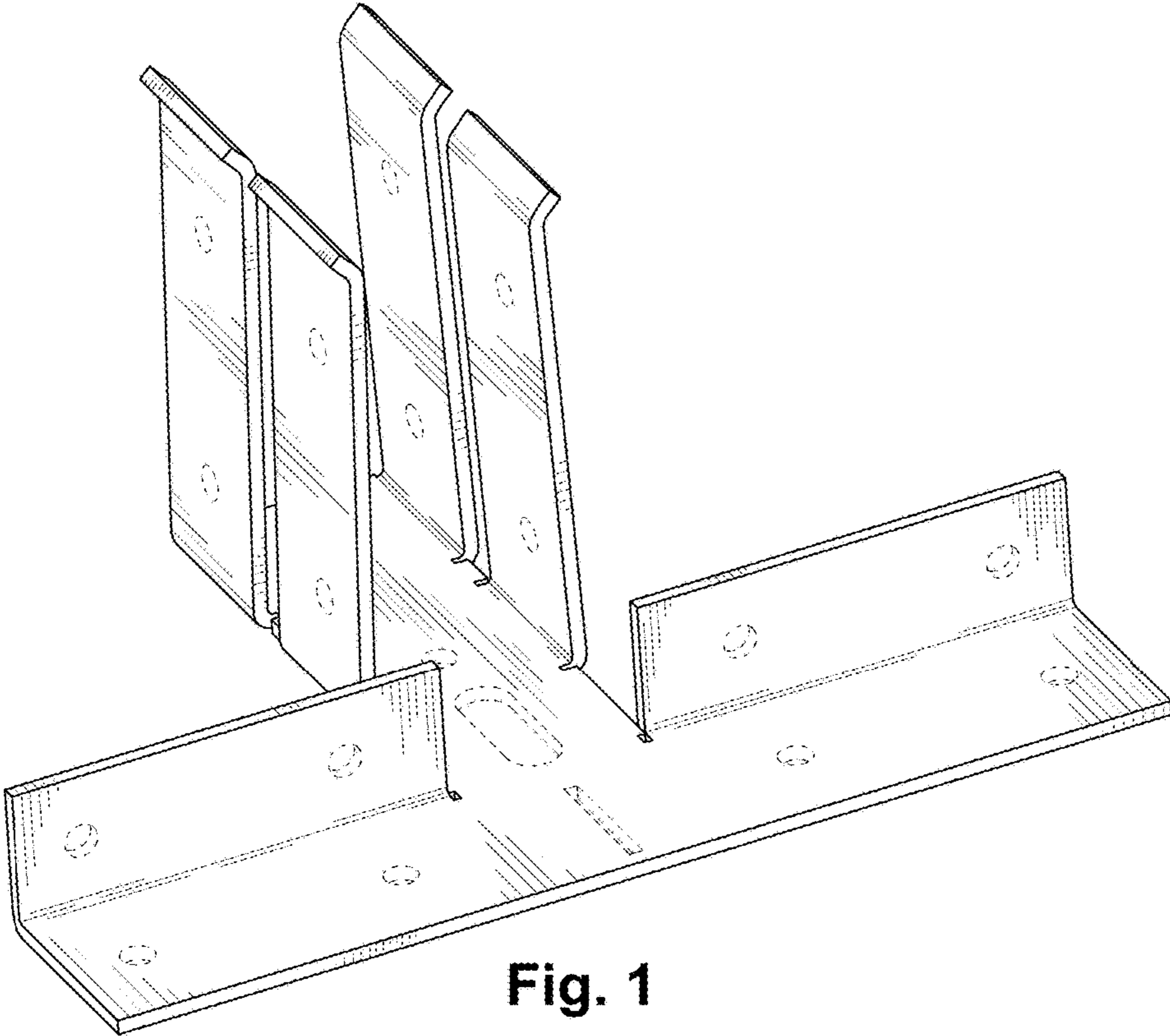
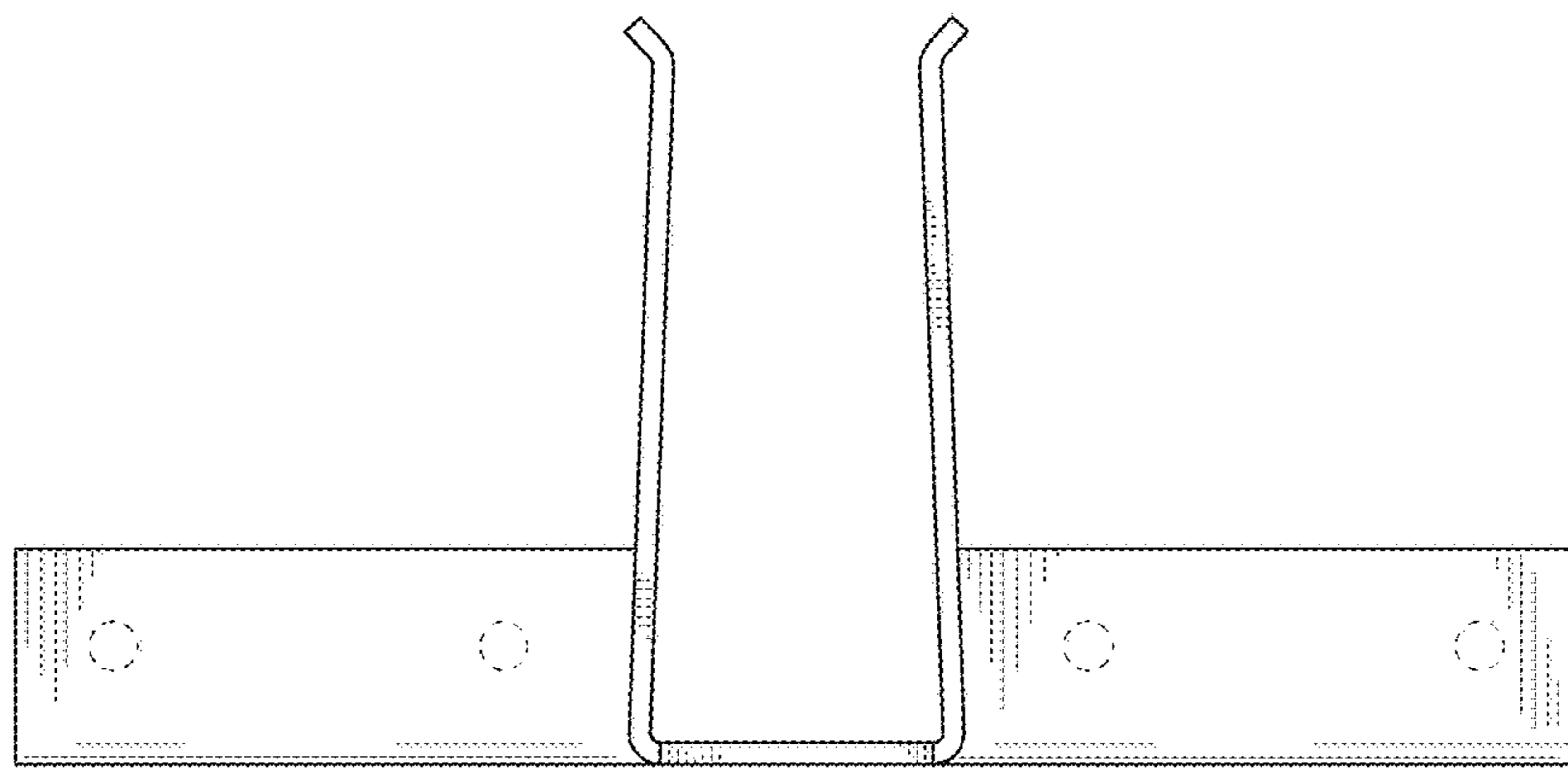
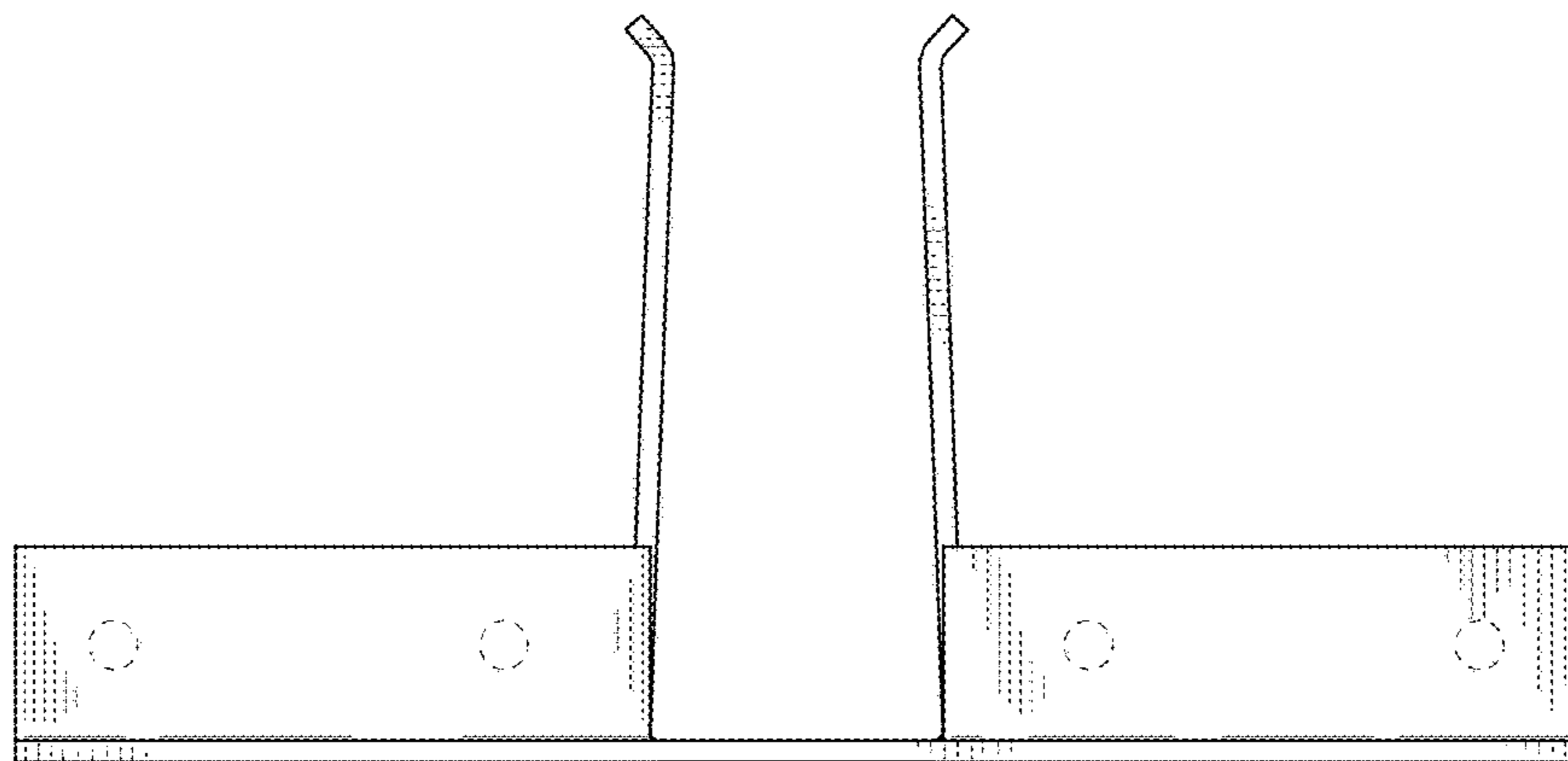


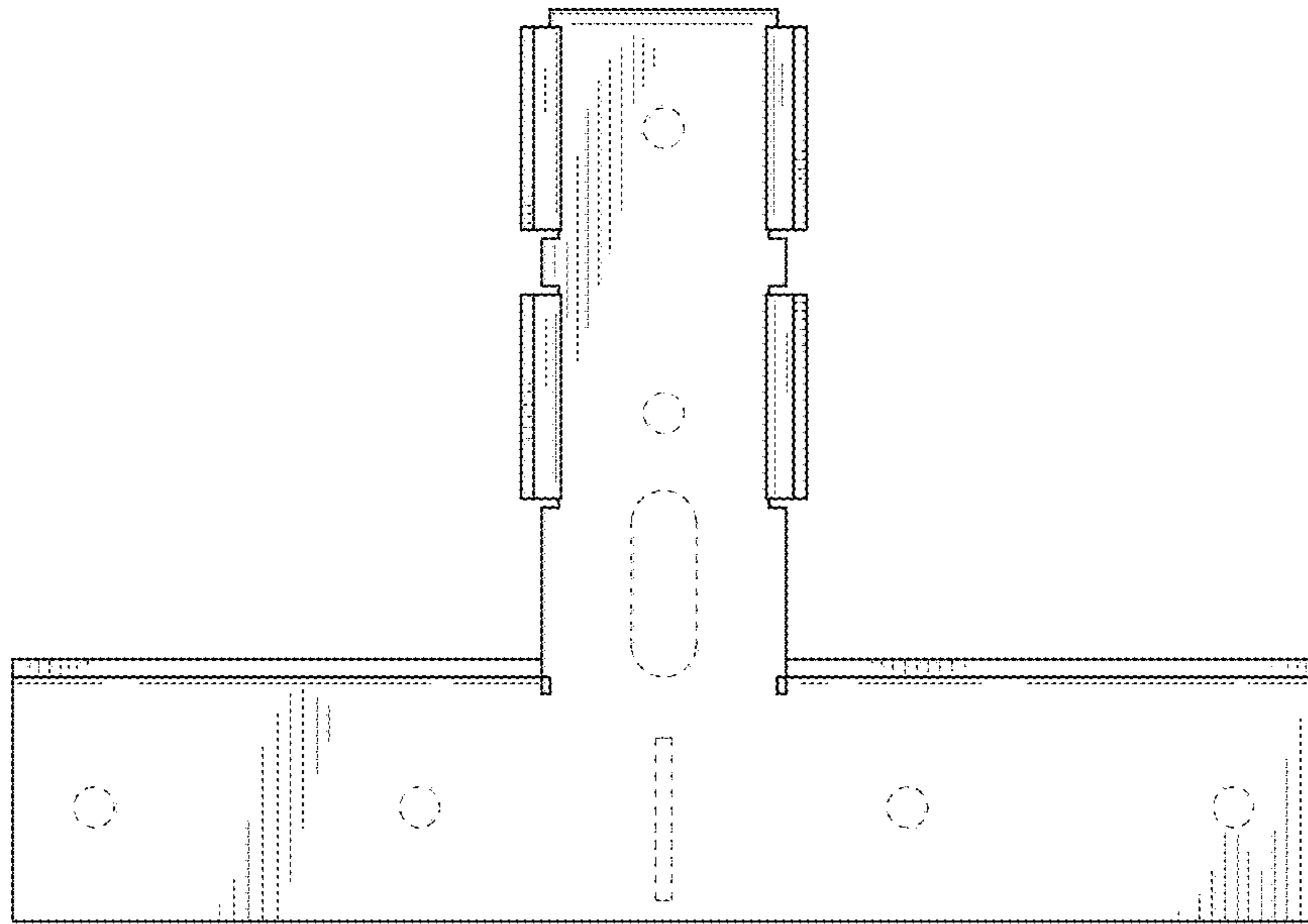
Fig. 1



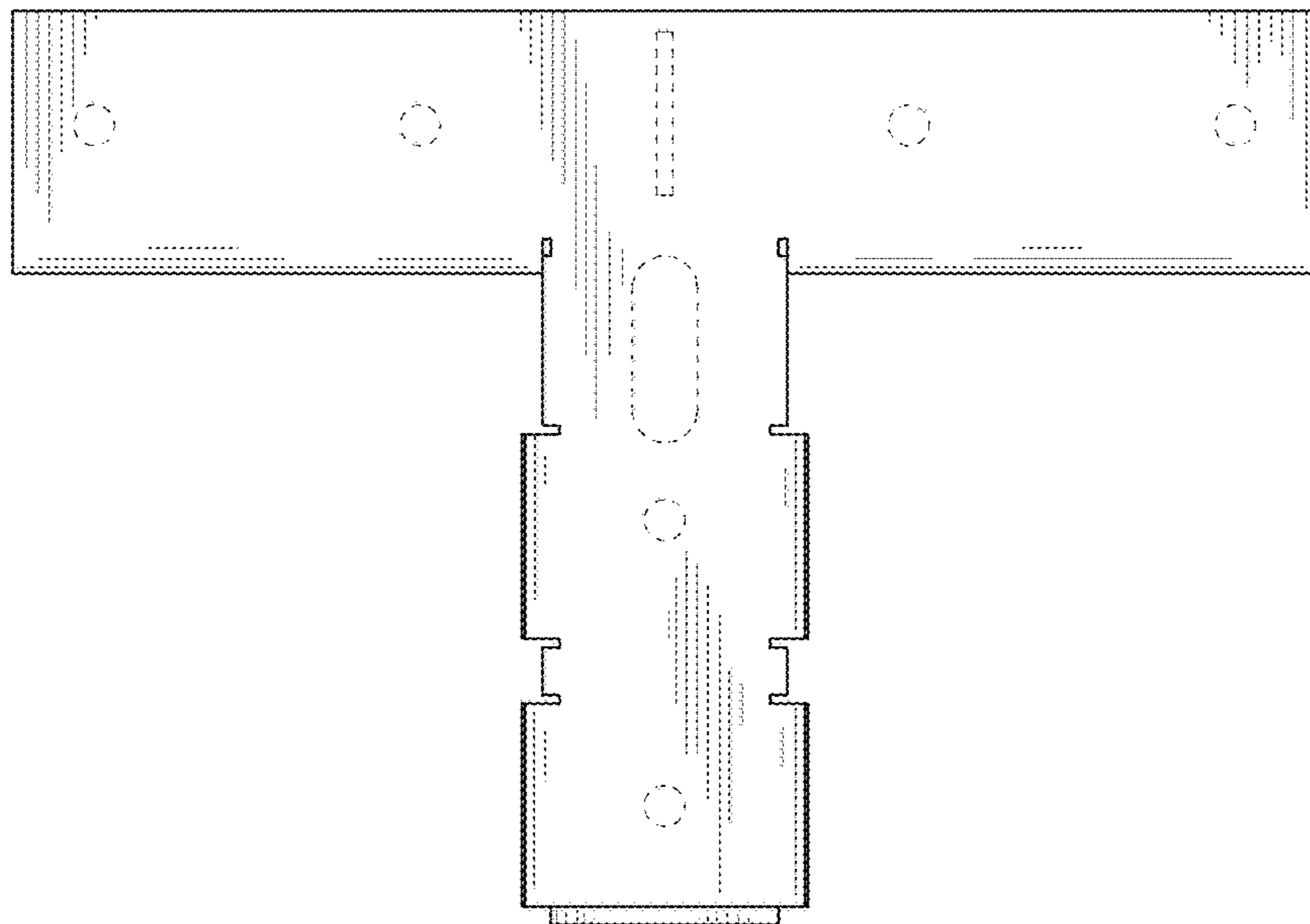
**Fig. 2**



**Fig. 3**



**Fig. 4**



**Fig. 5**

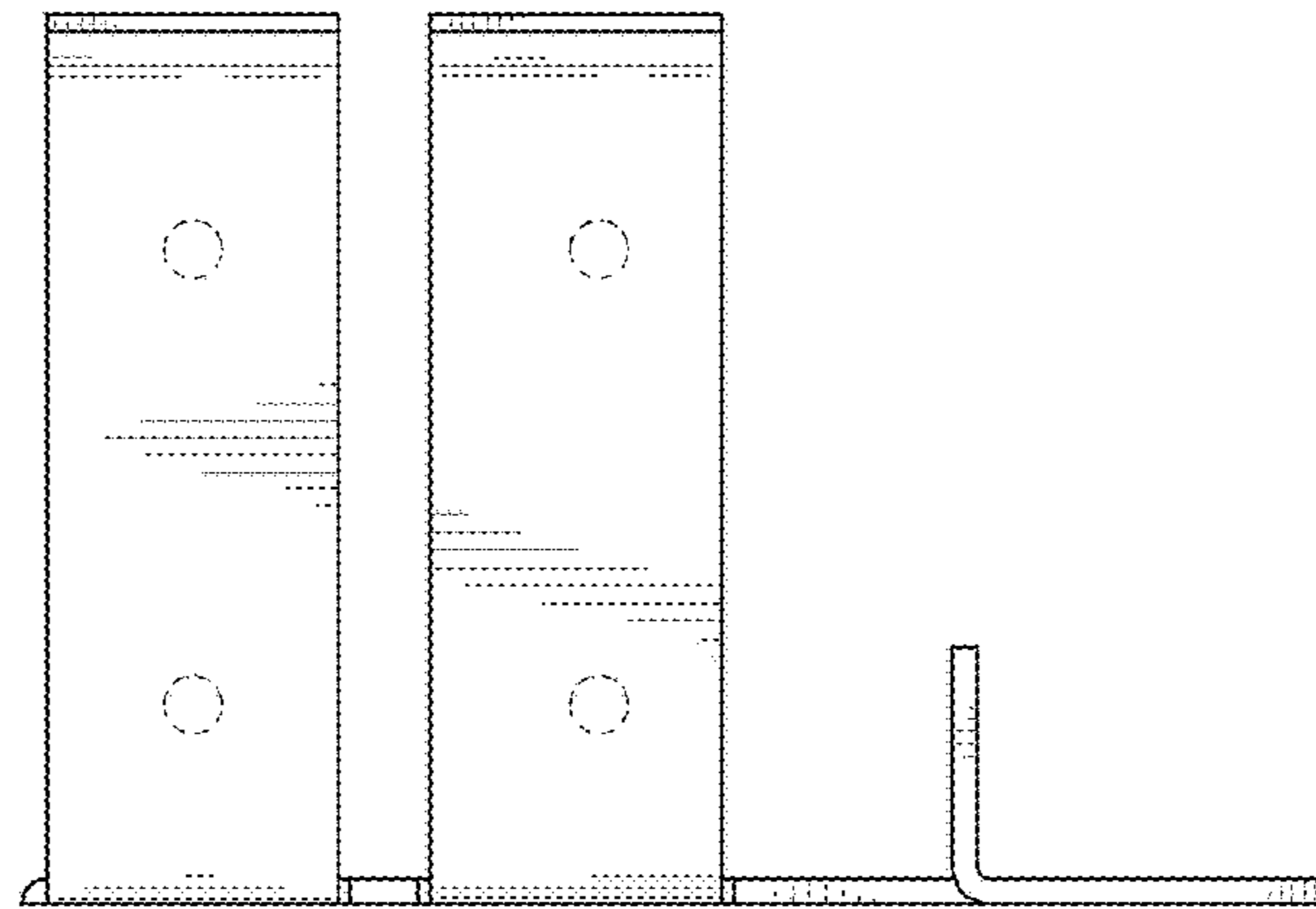


Fig. 6

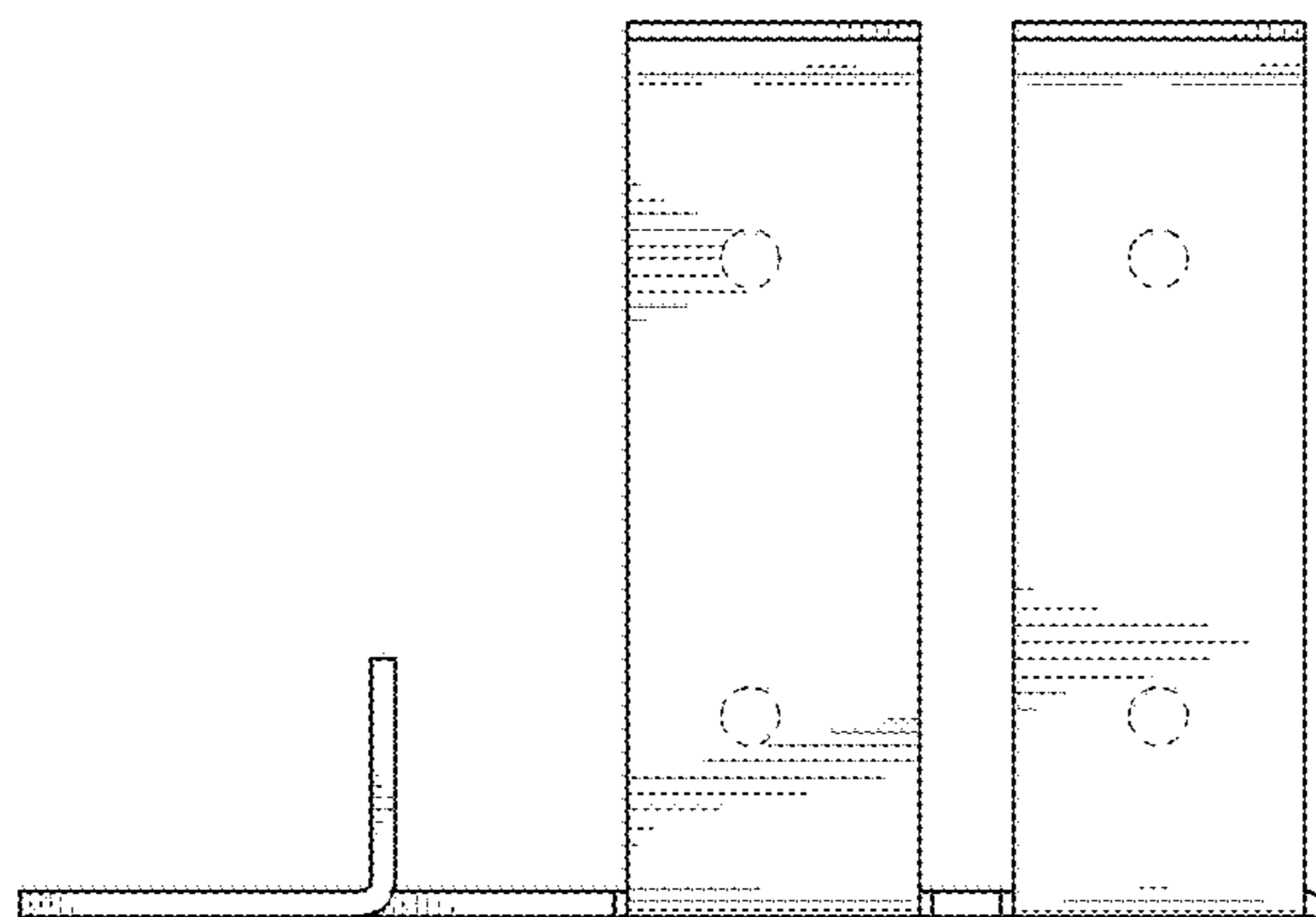


Fig. 7