



US00D845115S

(12) **United States Design Patent** (10) **Patent No.:** **US D845,115 S**
James (45) **Date of Patent:** **** Apr. 9, 2019**

(54) **WALL MOUNTING BRACKET**
(71) Applicant: **Shehan James**, Gardena, CA (US)
(72) Inventor: **Shehan James**, Gardena, CA (US)
(**) Term: **15 Years**
(21) Appl. No.: **29/625,444**
(22) Filed: **Nov. 9, 2017**
(51) **LOC (11) Cl.** **08-05**
(52) **U.S. Cl.**
USPC **D8/373**
(58) **Field of Classification Search**
USPC D08/373, 358, 359, 354, 71, 330, 336,
D08/351, 356, 360.1, 363, 364, 367, 370,
D08/372, 379, 381, 382, 395, 396;
D06/349, 352; D09/426, 502, 750;
D10/72, 73, 89; D11/79, 93; D13/103,
D13/107; D19/67; D21/673, 674, 675,
D21/839, 840; D25/19, 62, 68, 69;
D26/40, 49; D29/122, 124; D30/153,
D30/155
CPC B65H 75/40; B65H 75/4407; B65H
75/4471; B65H 2701/34; B65H 2701/32;
B65H 2511/142; B65H 29/008; B65H
2701/33; B65H 54/585; B65H 51/22;
B65H 75/08; B65H 75/02; B65H
2301/41485; B65H 75/4468; B65H
2301/414323; B65H 2301/414325; B65H
16/02; B65H 2301/4131; B65H 75/403;
B65H 75/441; B65D 85/66; B65D 85/67;
B66D 3/006; B66D 3/18; B66D 3/26;
B66D 3/02; B66D 3/14; B63B 21/18;
B63B 21/26; B65B 57/005; A61G
7/1051; A61G 7/1061; B66B 11/08;
A62C 33/04; B08B 2203/0276; B21C
47/28; H02G 11/02; A01K 89/003; H04M
1/15; A01D 34/822; A47L 9/26; H04R
1/1033; Y10S 24/909; E05C 19/10; E05C
17/50; E05C 3/045; E05C 3/30; E05C
19/02; E05C 19/026; A47G 25/0614;
A47G 25/18; A47G 25/32; A47G 7/047;

A47G 7/045; A47G 7/042; A47G 7/044;
F16B 12/44; F16B 12/46; F16B 5/0614;
F16B 12/02; F16B 12/685; E04B 1/2612;
E04B

(Continued)

(56) **References Cited**

U.S. PATENT DOCUMENTS

D251,684 S * 4/1979 Wood D24/227
D353,216 S * 12/1994 Sharrah D26/49

(Continued)

OTHER PUBLICATIONS

Maglite 2C flashlight wall mount, posted Jun. 28, 2015, [retrieved
Jan. 7, 2019]. Retrieved from Internet, <URL: <https://www.thingiverse.com/thing:902268> >.*

(Continued)

Primary Examiner — Barbara Fox
Assistant Examiner — Kristin E Reed
(74) *Attorney, Agent, or Firm* — Eric Karich; Karich &
Associates

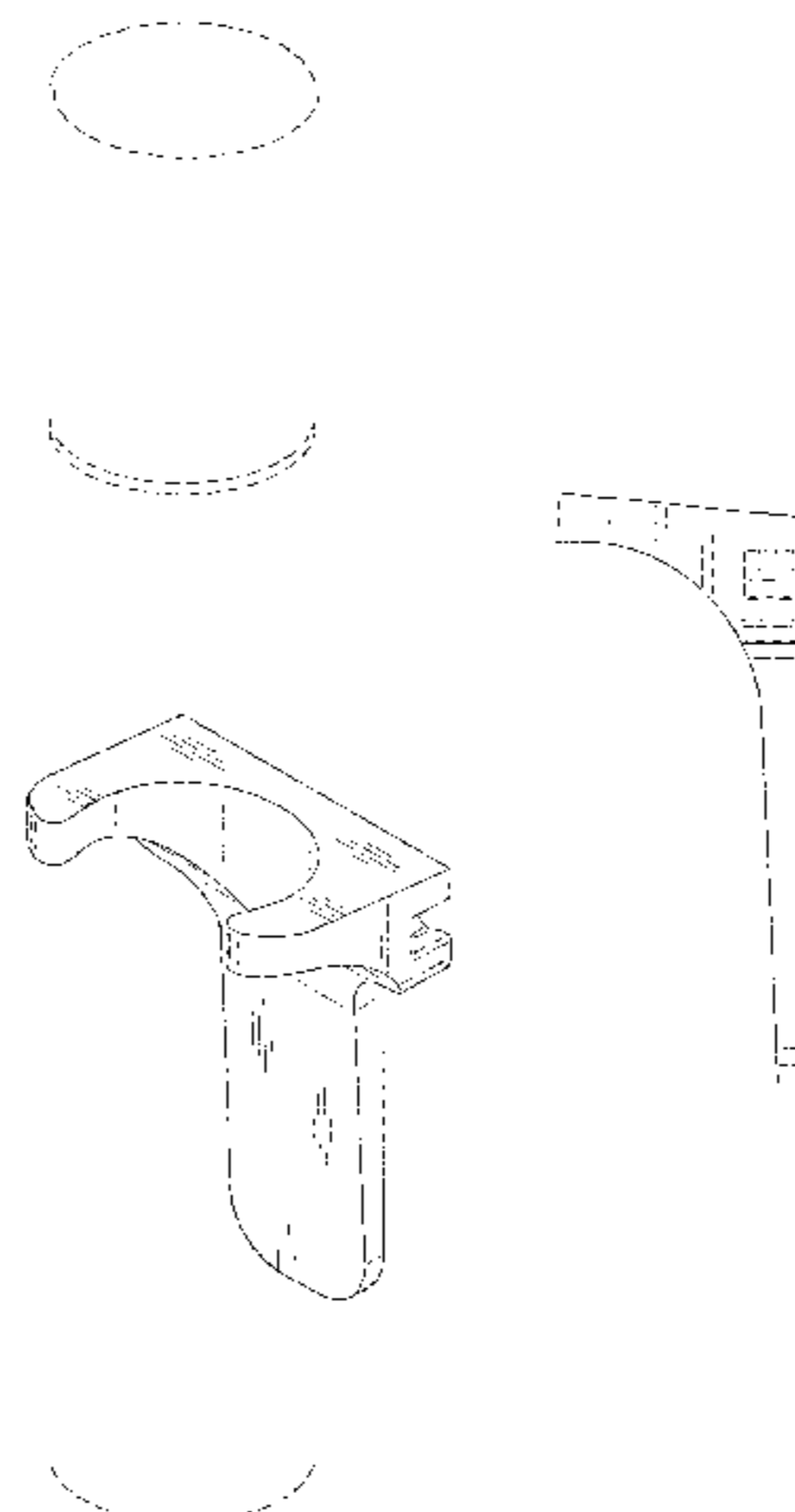
(57) **CLAIM**

The ornamental design for a wall mounting bracket, as
shown and described.

DESCRIPTION

FIG. 1 is a perspective view of a wall mounting bracket,
showing my new design;
FIG. 2 is a front elevational view thereof;
FIG. 3 is a rear elevational view thereof;
FIG. 4 is a left side elevational view thereof
FIG. 5 is a right side elevational view thereof;
FIG. 6 is a top plan view thereof; and,
FIG. 7 is a bottom plan view thereof.
The broken line showing of a tube of shampoo is included
for the purpose of illustrating environmental structure and
forms no part of the claimed design.

1 Claim, 2 Drawing Sheets



(58) **Field of Classification Search**

CPC 2001/2415; E04B 1/5818; E04B 1/5831;
A47B 88/0055; E04F 11/1812; F16L
1/0246; A01G 9/024; A01G 25/14; A01G
27/001; A01G 9/042; A01G 27/005;
A01G 31/001; A01G 9/02; A01G 9/083;
A01G 9/12

See application file for complete search history.

(56) **References Cited**

U.S. PATENT DOCUMENTS

D358,979	S	*	6/1995	Reid	D8/354
D376,094	S	*	12/1996	Hubbard	D8/354
D381,967	S	*	8/1997	Tatsumi	D14/452
D563,209	S	*	3/2008	Samelson	D8/373
D571,190	S	*	6/2008	Spadotto	B65H 75/366 D8/356
D577,139	S	*	9/2008	Brown	D13/108
D587,094	S	*	2/2009	Fonk	D8/330
D587,103	S	*	2/2009	Byrne	D8/356
D596,015	S	*	7/2009	Scarcello	D8/354
D632,516	S	*	2/2011	Schulz	D6/526
D812,456	S	*	3/2018	Nolta	D8/373

OTHER PUBLICATIONS

Klarus RC11 Cradle for XT12, RS11, RS20 and FL18 Flashlights,
posted as early as Jul. 17, 2014, [retrieved Jan. 7, 2019]. Retrieved
from Internet, <URL: [https://www.batteryjunction.com/klarus-rc11.html?gclid=](https://www.batteryjunction.com/klarus-rc11.html?gclid=EAlalQobChMI9puGrI7c3wIVRFuGCh19QAyiEAQYBiABEglrgPD_BwE)
EAlalQobChMI9puGrI7c3wIVRFuGCh19QAyiEAQYBiABEglrgPD_
BwE >.*

* cited by examiner

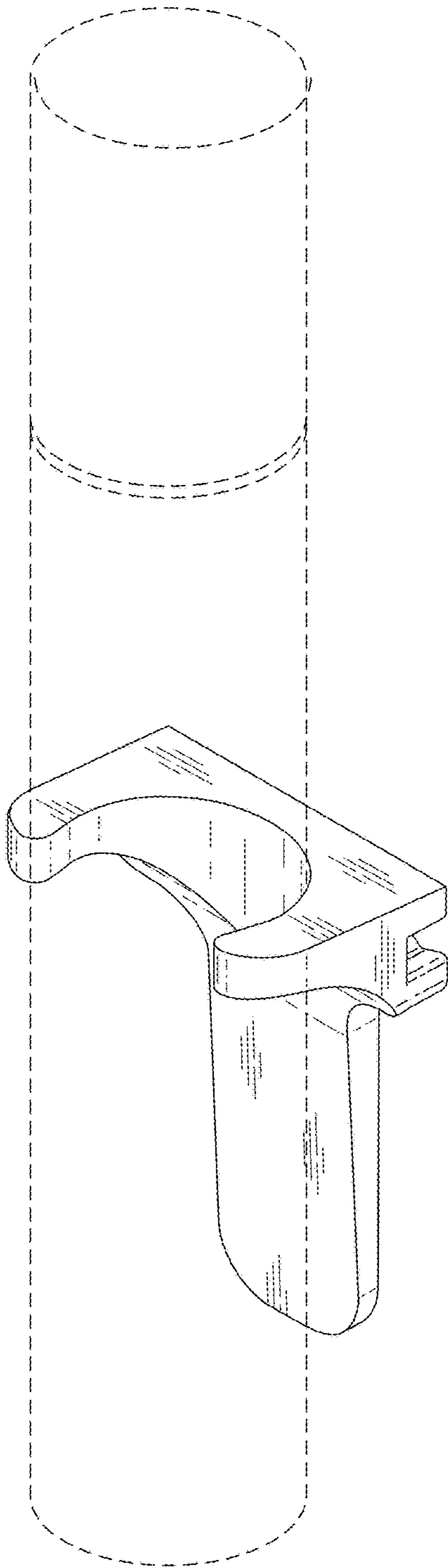


Fig. 1

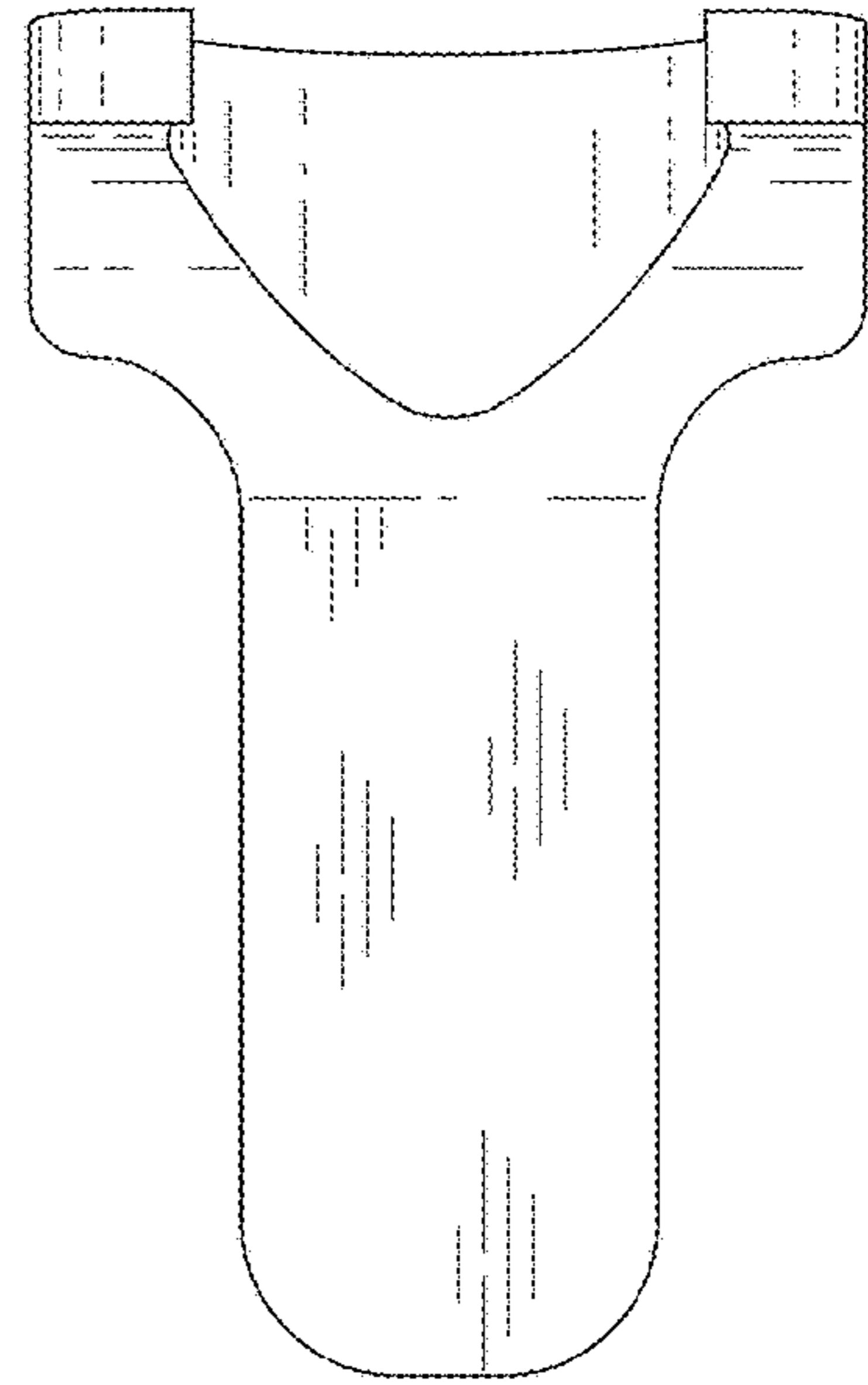


Fig. 2

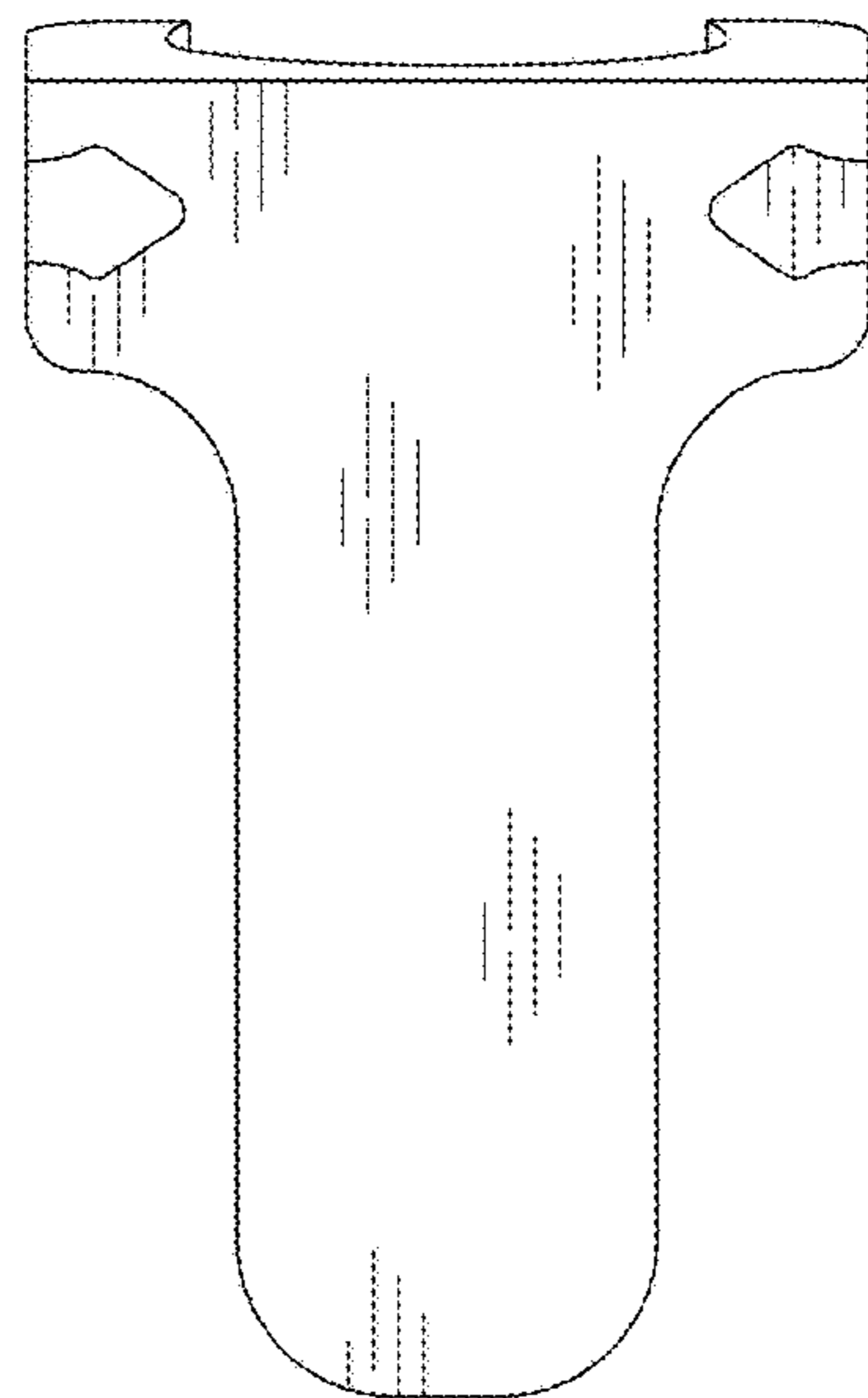


Fig. 3

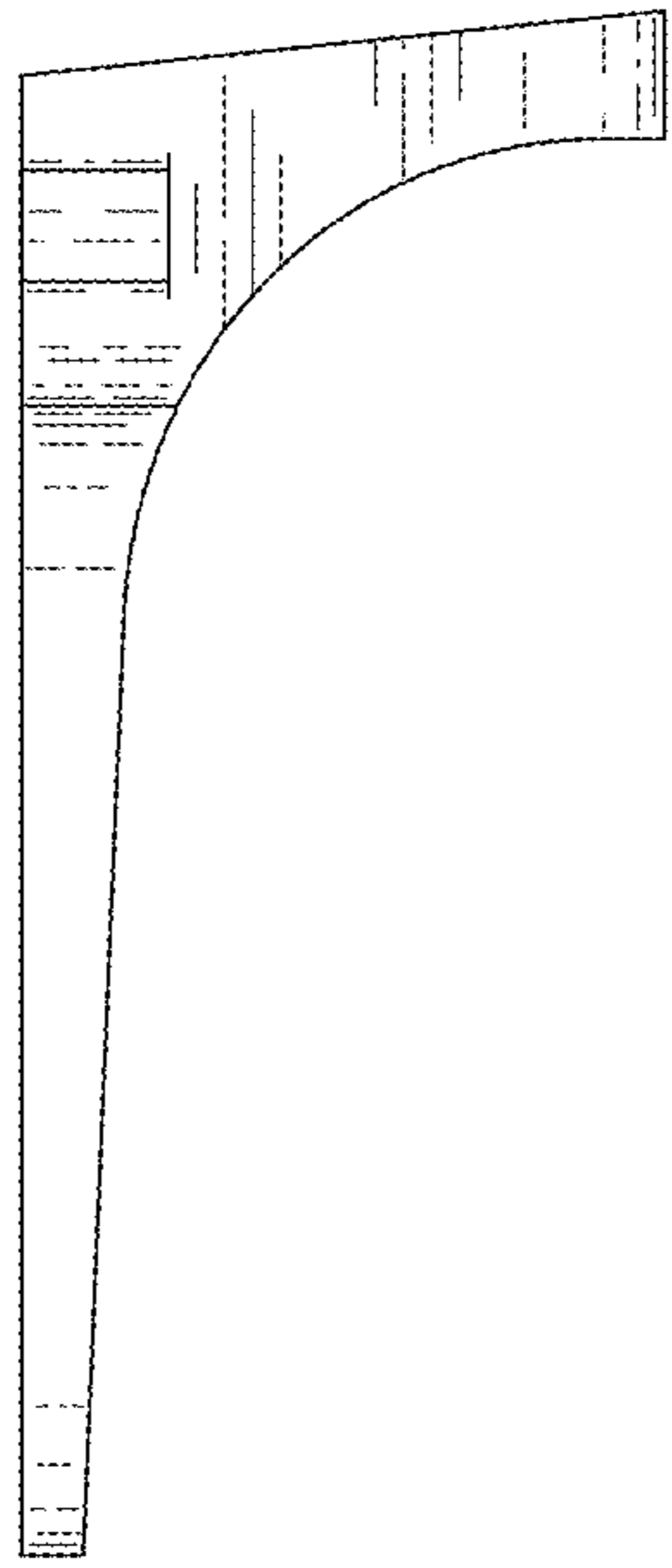


Fig. 4

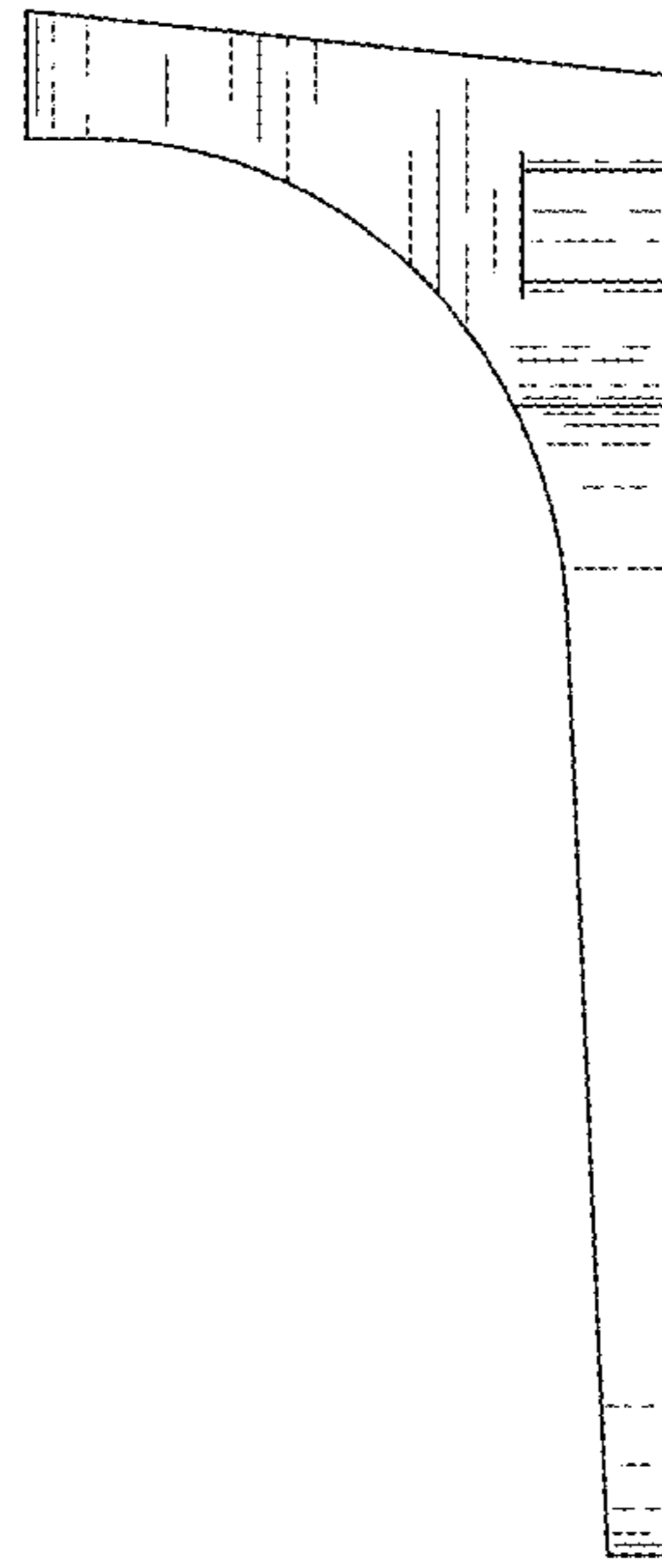


Fig. 5

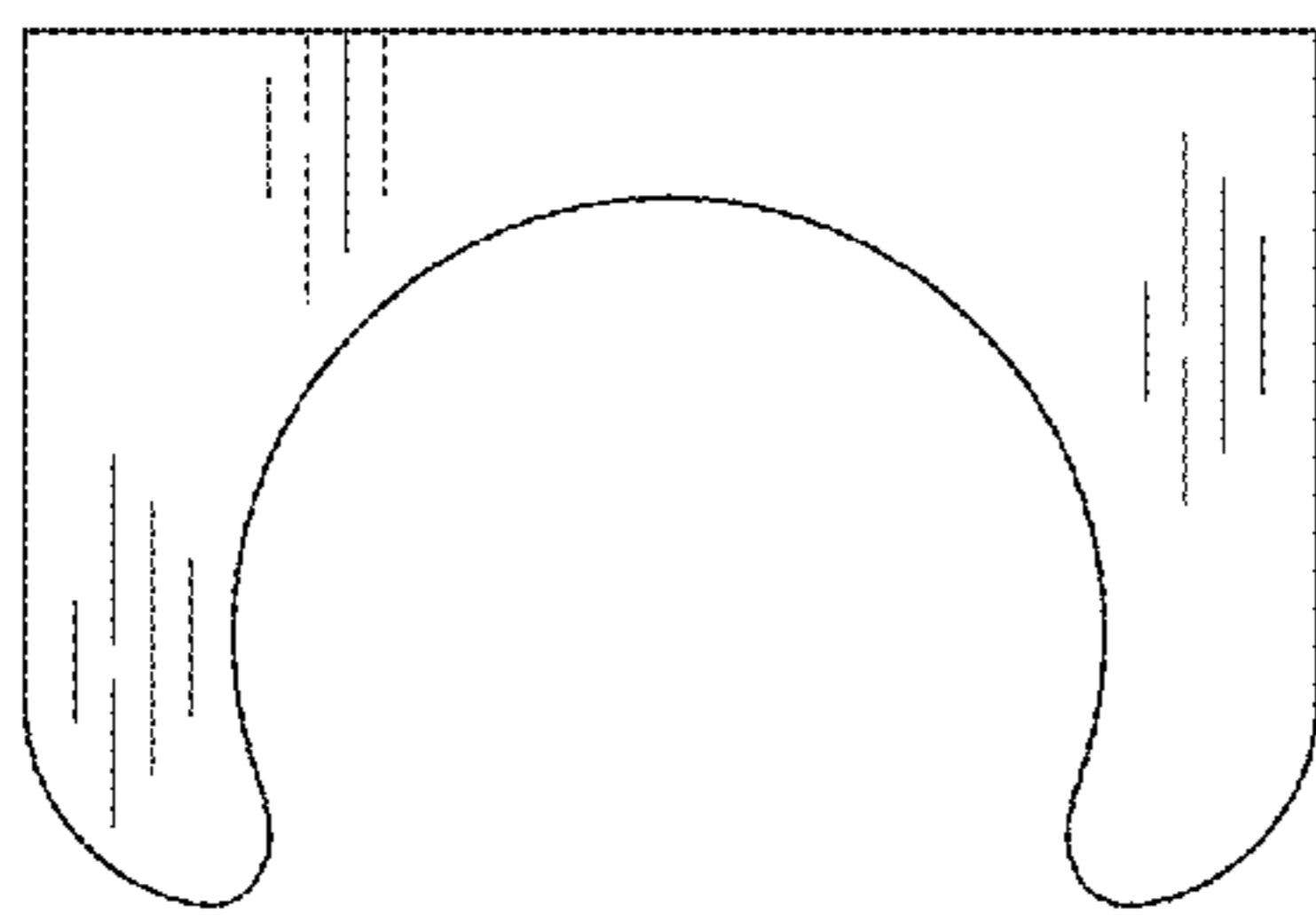


Fig. 6

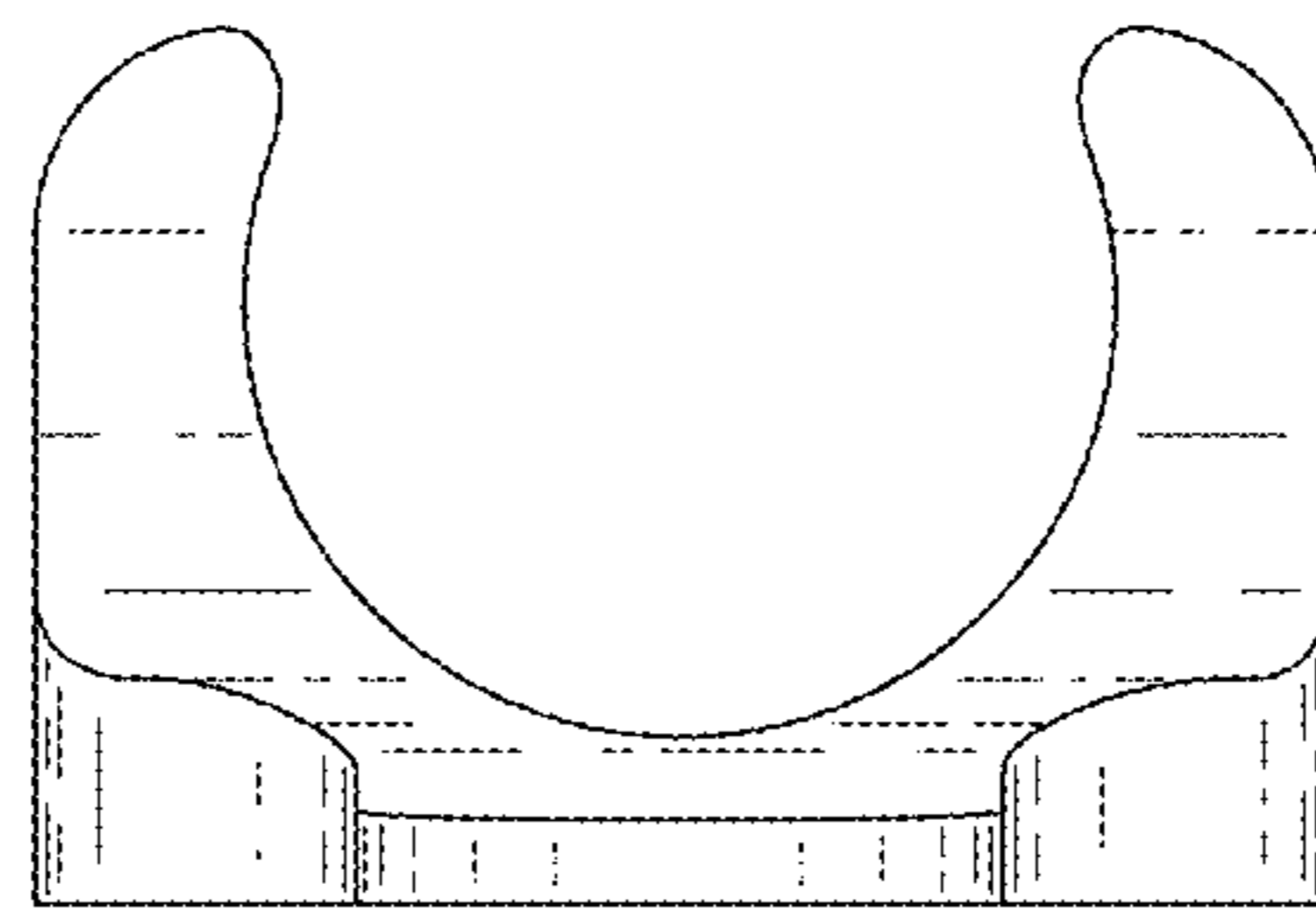


Fig. 7