



US00D845114S

(12) **United States Design Patent** (10) **Patent No.:** **US D845,114 S**
Bacallao (45) **Date of Patent:** **** Apr. 9, 2019**

(54) **CALL BUTTON BRACKET**
(71) Applicant: **Walmart Apollo, LLC**, Bentonville, AR (US)
(72) Inventor: **Yurgis Mauro Bacallao**, Centerton, AR (US)
(73) Assignee: **WALMART APOLLO, LLC**, Bentonville, AR (US)
(**) Term: **15 Years**
(21) Appl. No.: **29/561,717**
(22) Filed: **Apr. 19, 2016**
(51) **LOC (11) Cl.** **08-05**
(52) **U.S. Cl.**
USPC **D8/373**
(58) **Field of Classification Search**
USPC D8/373, 370, 371, 372, 374, 375, 376
(Continued)

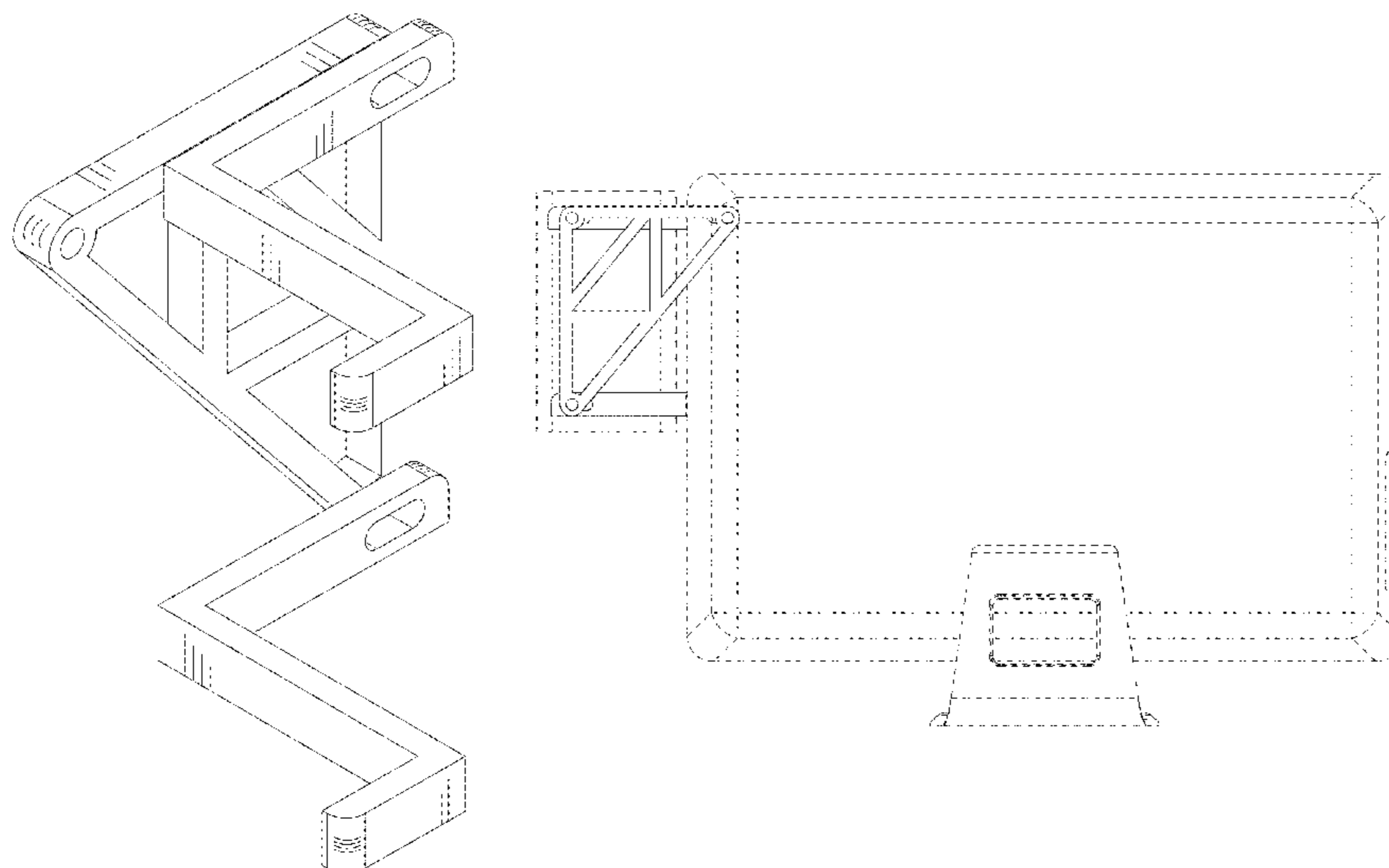
(56) **References Cited**
U.S. PATENT DOCUMENTS
5,076,525 A * 12/1991 Whipple A47B 97/00
248/300
5,115,888 A 5/1992 Schneider
(Continued)

OTHER PUBLICATIONS
Office Action for U.S. Appl. No. 15/475,543, dated Apr. 9, 2018.
Notice of Allowance in U.S. Appl. No. 15/475,543 dated Jul. 30, 2018; 9 pages.
Primary Examiner — Ian Simmons
Assistant Examiner — Yolanda Robinson
(74) *Attorney, Agent, or Firm* — Schmeiser, Olsen & Watts LLP

(57) **CLAIM**
The ornamental design for a call button bracket, as shown and described.

DESCRIPTION
FIG. 1 is a front perspective view of a call button bracket, in accordance with an embodiment;
FIG. 2 is a rear perspective view of the call button bracket of FIG. 1;
FIG. 3 is a front view of the call button bracket of FIG. 1;
FIG. 4 is a rear view of the call button bracket of FIG. 1;
FIG. 5 is a top view of the call button bracket of FIG. 1;
FIG. 6 is a bottom view of the call button bracket of FIG. 1;
FIG. 7 is a left side view of the call button bracket of FIG. 1;
FIG. 8 is a right side view of the call button bracket of FIG. 1;
FIG. 9 is a rear perspective view of a coupling bracket of the call button bracket of FIG. 1;
FIG. 10 is a front view of the coupling bracket of FIG. 9;
FIG. 11 is a rear view of the coupling bracket of FIG. 9;
FIG. 12 is a top view of the coupling bracket of FIG. 9;
FIG. 13 is a bottom view of the coupling bracket of FIG. 9;
FIG. 14 is a left side view of the coupling bracket of FIG. 9;
FIG. 15 is a right side view of the coupling bracket of FIG. 9;
FIG. 16 is a perspective view of an S bracket of the call button bracket of FIG. 1;
FIG. 17 is a front view of the S bracket of FIG. 16;
FIG. 18 is a rear view of the S bracket of FIG. 16;
FIG. 19 is a top view of the S bracket of FIG. 16;
FIG. 20 is a bottom view of the S bracket of FIG. 16;
FIG. 21 is a left side view of the S bracket of FIG. 16;
FIG. 22 is a right side view of the S bracket of FIG. 16;
FIG. 23 is a front view of a call button bracket in use; and, FIG. 24 is a rear view of a call button bracket in use. The broken lines in the drawings of FIGS. 23 and 24 illustrate an environment only and form no part of the claimed design.

1 Claim, 10 Drawing Sheets



(58) **Field of Classification Search**
 CPC ... A47B 97/00; A47B 2097/005; A47B 96/06;
 A47F 9/04; A47F 2009/041; G07G
 1/0018; H05K 7/12
 See application file for complete search history.

(56) **References Cited**

U.S. PATENT DOCUMENTS

6,315,134 B1 * 11/2001 Stuart A47B 55/02
 108/109
 6,412,889 B1 * 7/2002 Hummell G06F 1/1607
 248/447.2
 7,311,290 B1 * 12/2007 Barnes E04F 10/0662
 248/201
 D599,646 S * 9/2009 Meyers D8/370
 9,072,380 B2 * 7/2015 Durgin A47B 96/06
 9,307,700 B1 * 4/2016 Schmitt G09F 17/00
 D803,293 S * 11/2017 Willenborg D16/237
 9,951,903 B2 * 4/2018 Barnes F16M 13/02
 2005/0188812 A1 * 9/2005 Wang A47B 21/0314
 84/174
 2005/0217040 A1 * 10/2005 Jackson E01D 21/00
 14/77.1
 2007/0040083 A1 * 2/2007 McAloon A47B 97/00
 248/242
 2008/0006751 A1 * 1/2008 Chen F16M 11/10
 248/278.1
 2008/0029669 A1 * 2/2008 Olah B60R 11/0229
 248/276.1

2009/0050757 A1 * 2/2009 Oh F16M 11/043
 248/205.1
 2009/0159768 A1 * 6/2009 Oh F16M 11/10
 248/284.1
 2011/0110032 A1 * 5/2011 Kuo G06F 1/185
 361/679.58
 2011/0198460 A1 * 8/2011 Stifal F16M 11/10
 248/201
 2012/0223731 A1 * 9/2012 Mo G01R 31/2808
 324/756.01
 2013/0037670 A1 * 2/2013 Lu F16M 11/10
 248/284.1
 2013/0320180 A1 * 12/2013 Castellanos F16M 13/02
 248/534
 2014/0027589 A1 * 1/2014 Durgin A47B 96/06
 248/218.4
 2016/0076228 A1 * 3/2016 Nau E02F 9/261
 701/50
 2016/0120309 A1 * 5/2016 Brandt F16M 11/10
 361/679.01
 2016/0157655 A1 * 6/2016 Muniz A47H 1/122
 362/253
 2016/0242546 A1 * 8/2016 Vastmans G01D 11/30
 2017/0290447 A1 * 10/2017 Bacallao G07G 1/0036
 2017/0350554 A1 * 12/2017 Stifal F16M 11/10
 2018/0023756 A1 * 1/2018 Barnes F16M 13/02
 248/292.11
 2018/0035801 A1 * 2/2018 Kunsch A47B 96/067
 2018/0206640 A1 * 7/2018 Drew A47B 61/003

* cited by examiner

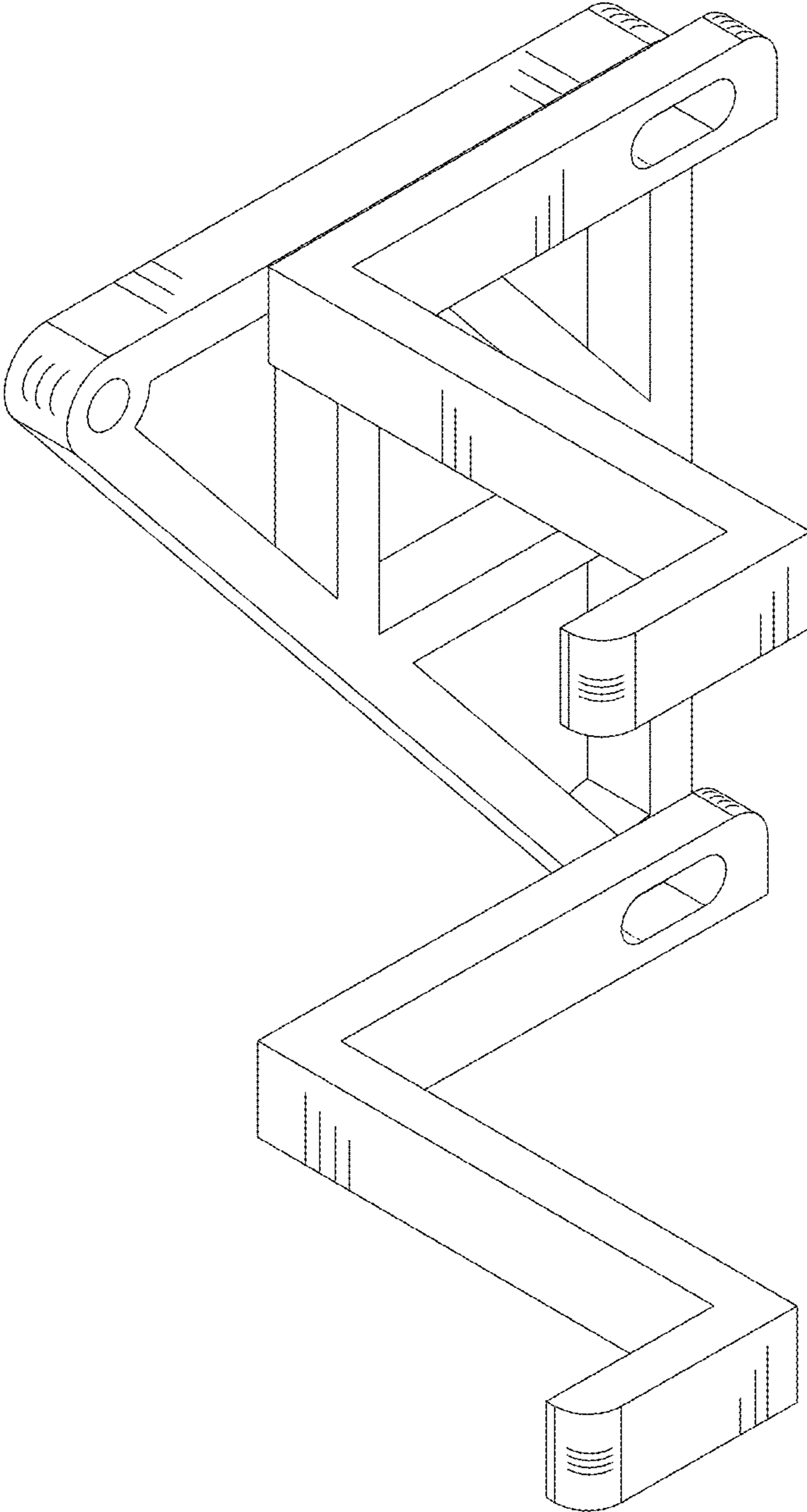


FIG. 1

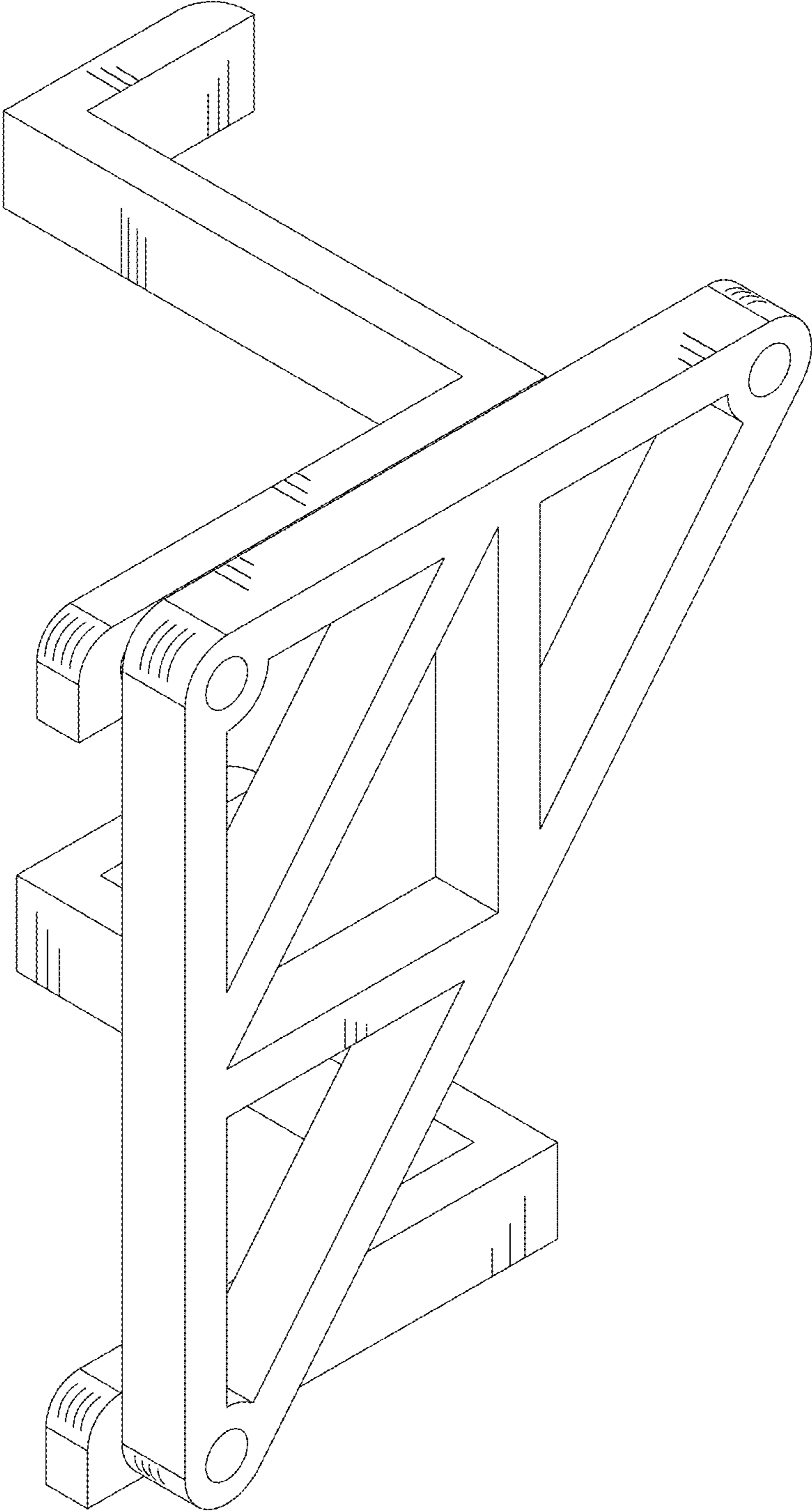


FIG. 2

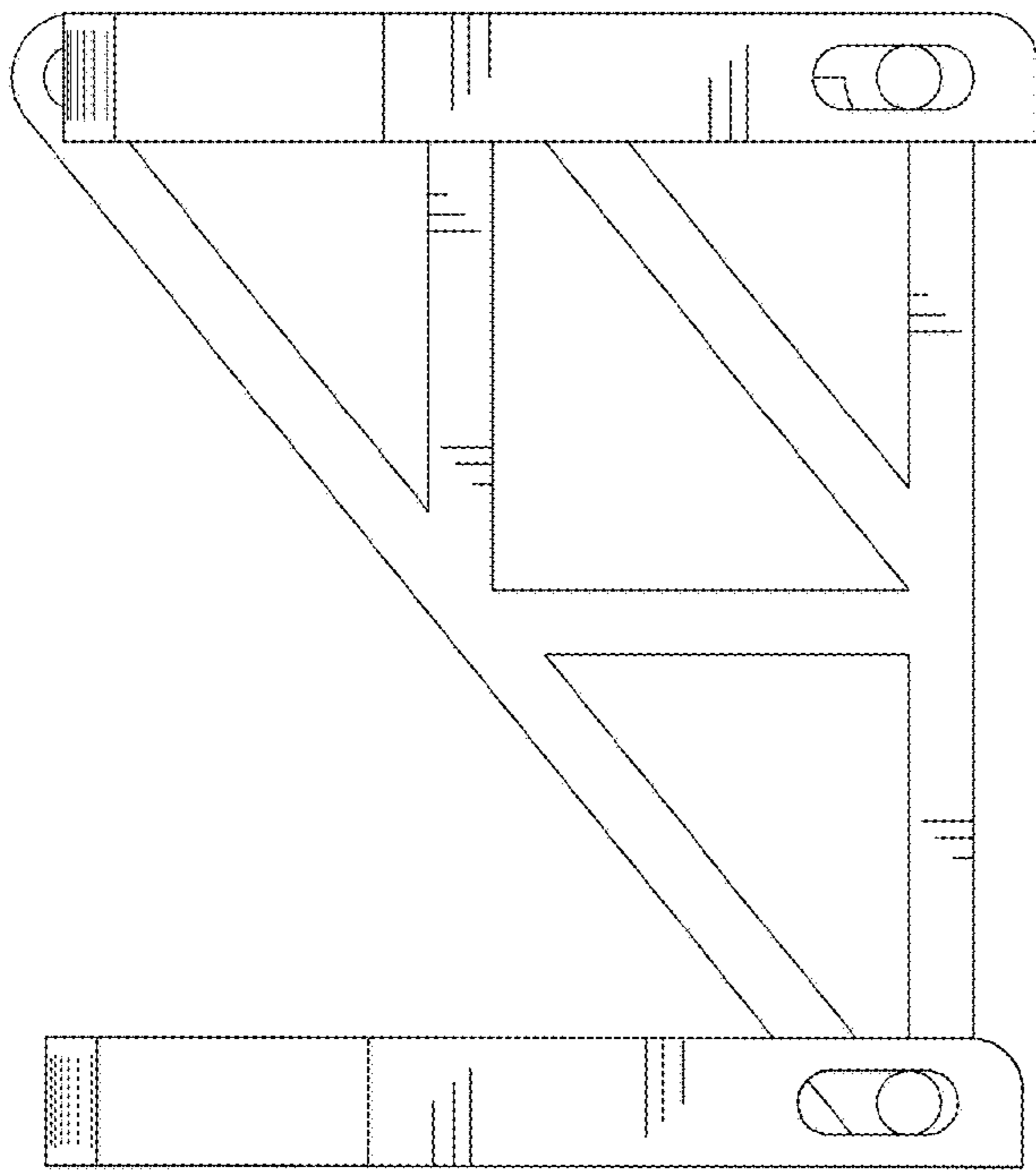


FIG. 3

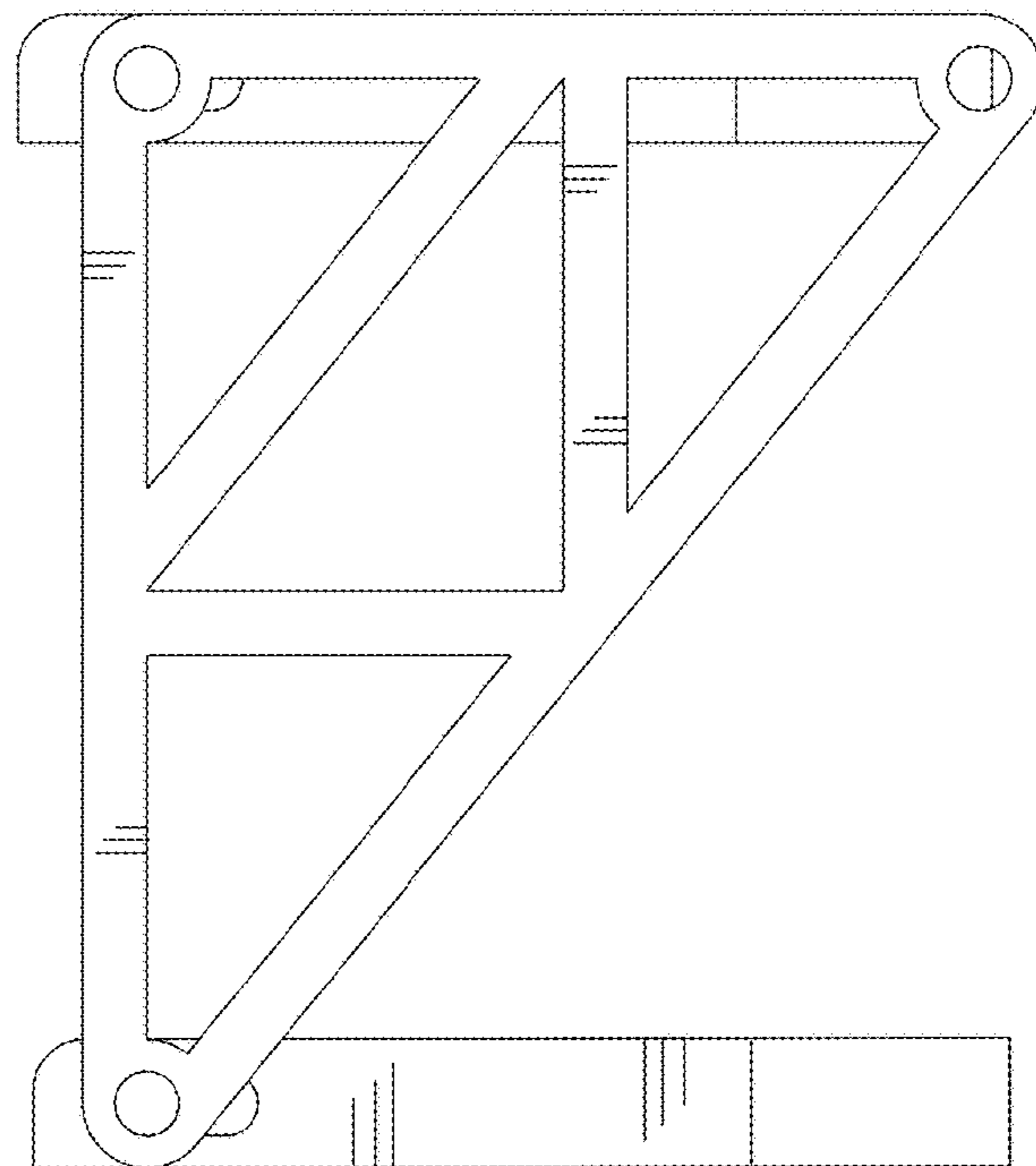


FIG. 4

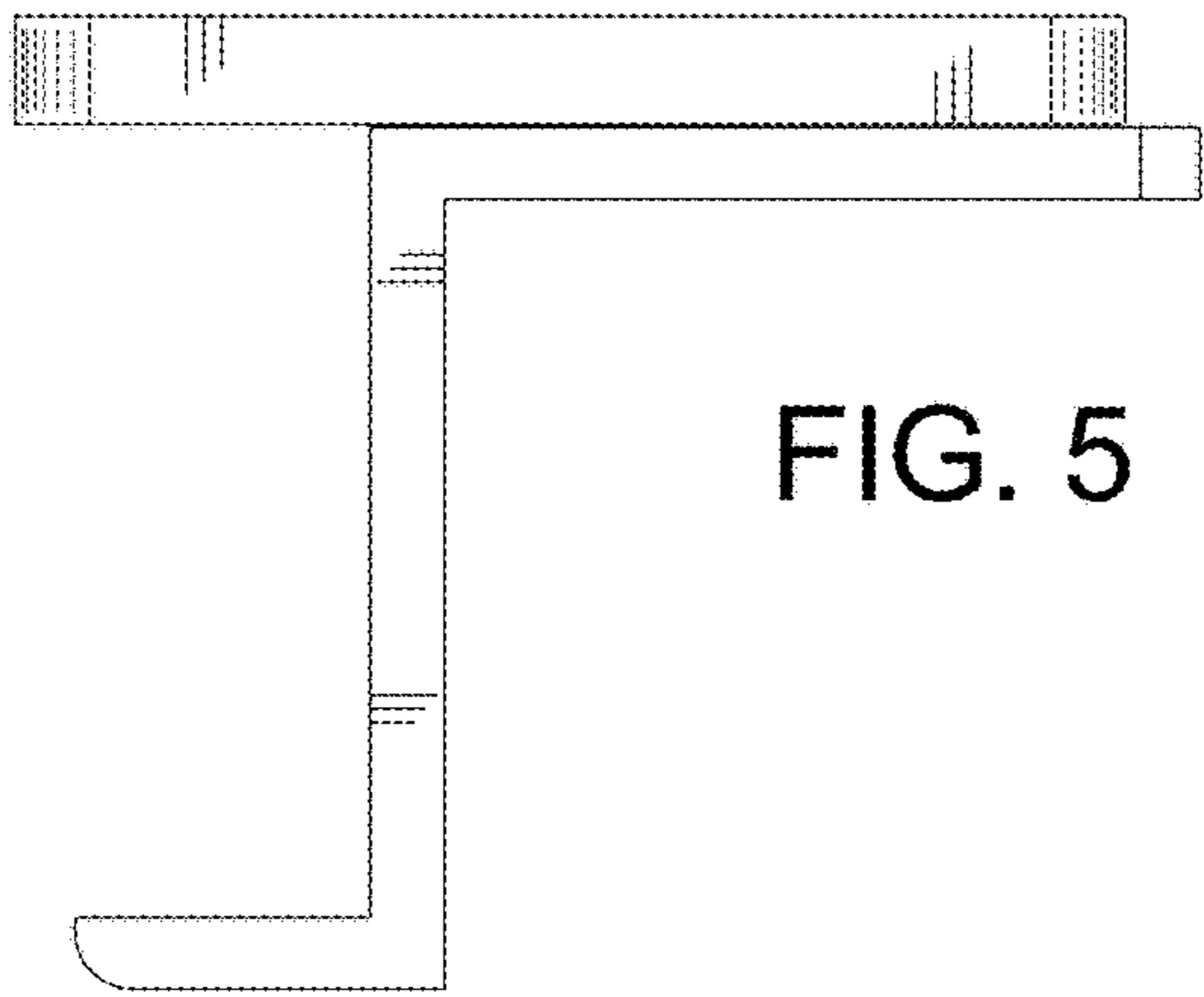


FIG. 5

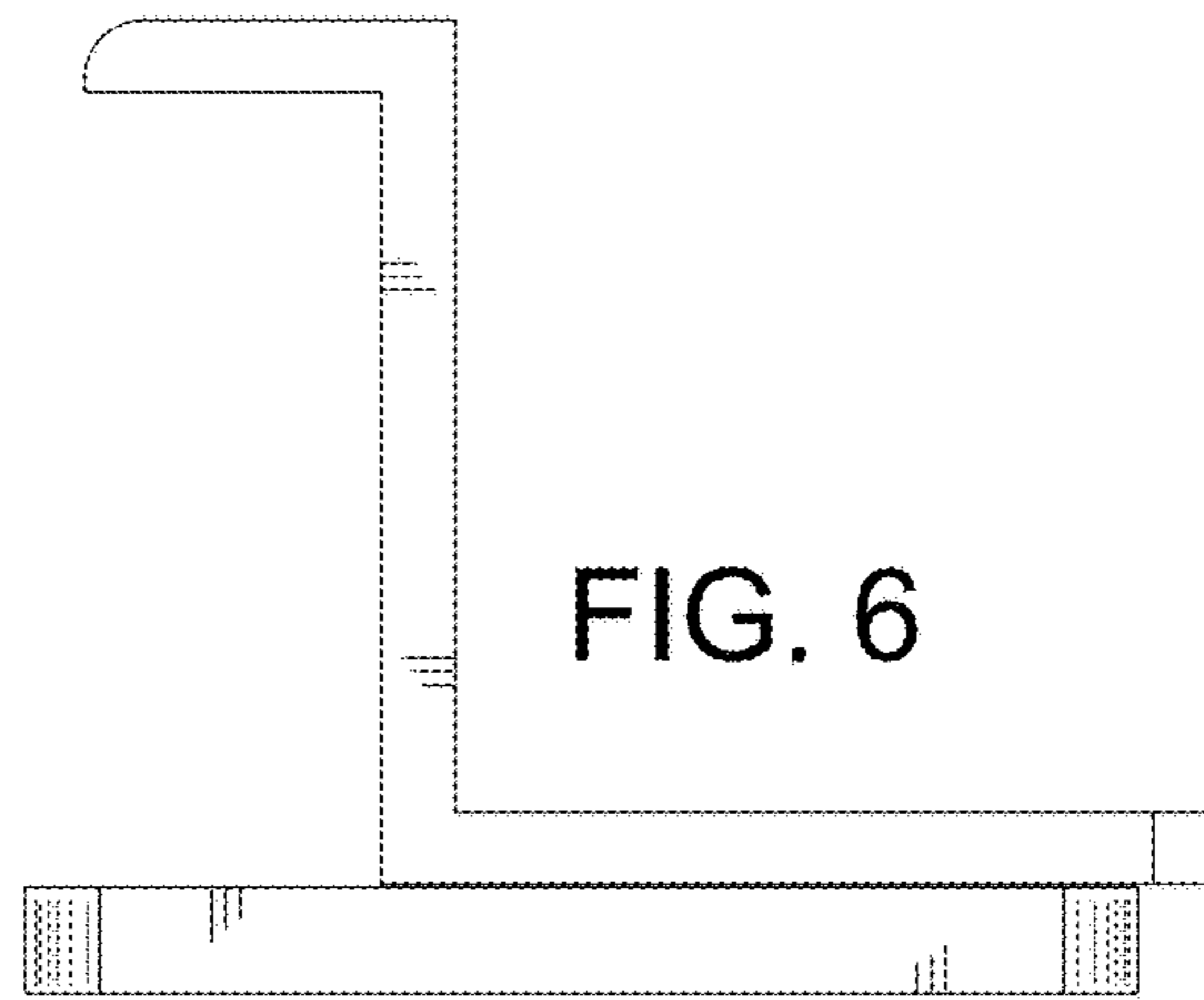


FIG. 6

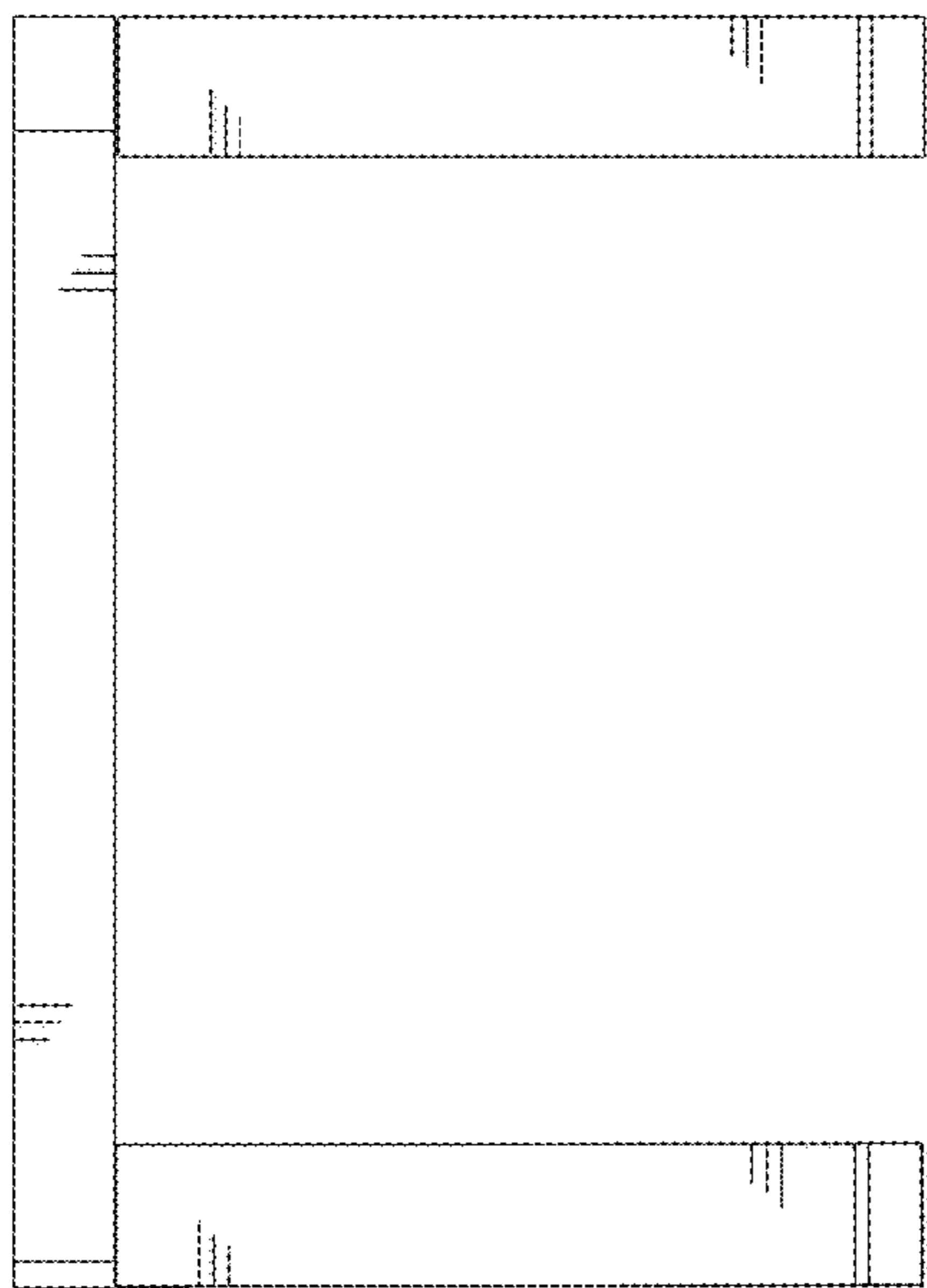


FIG. 7

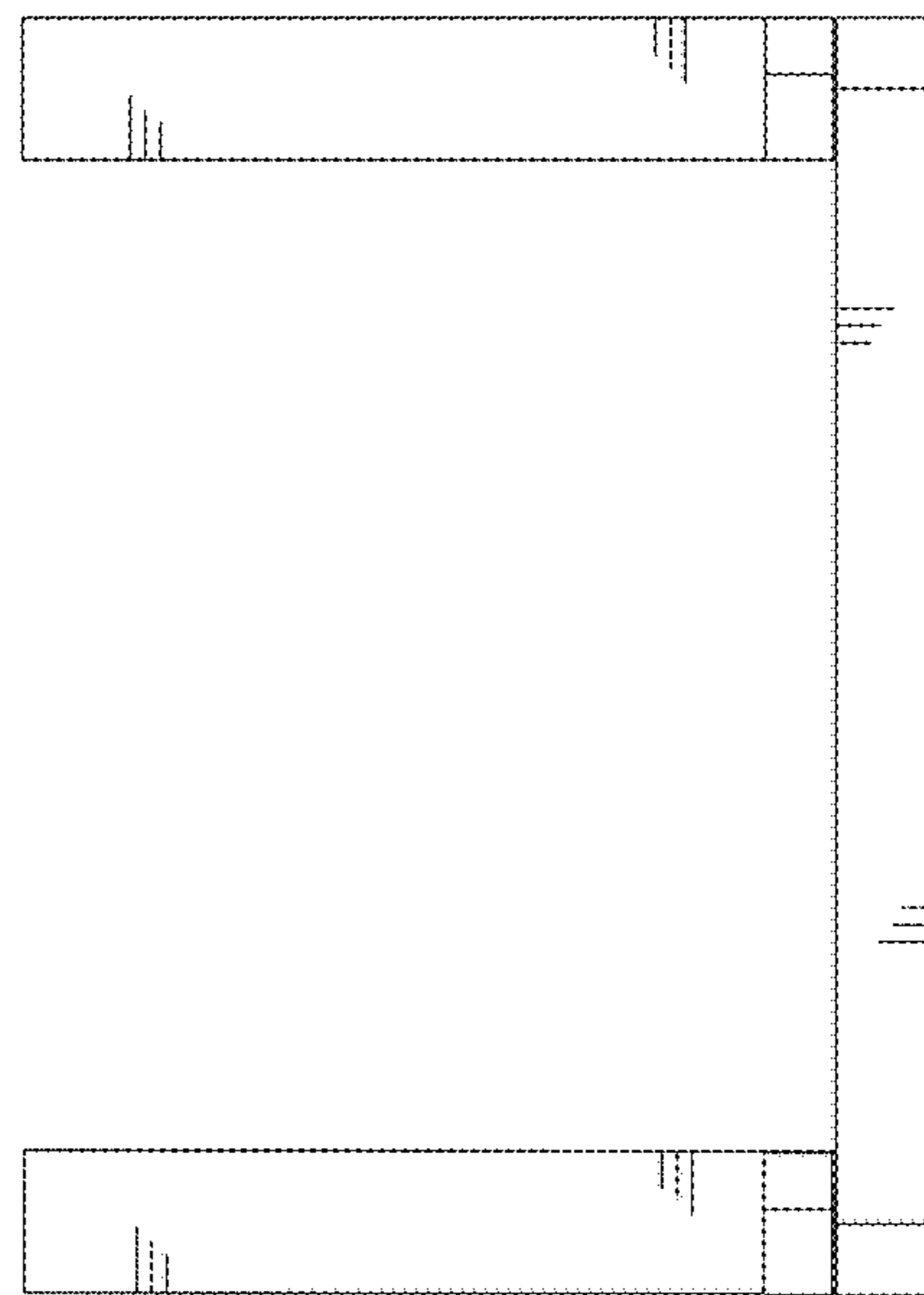


FIG. 8

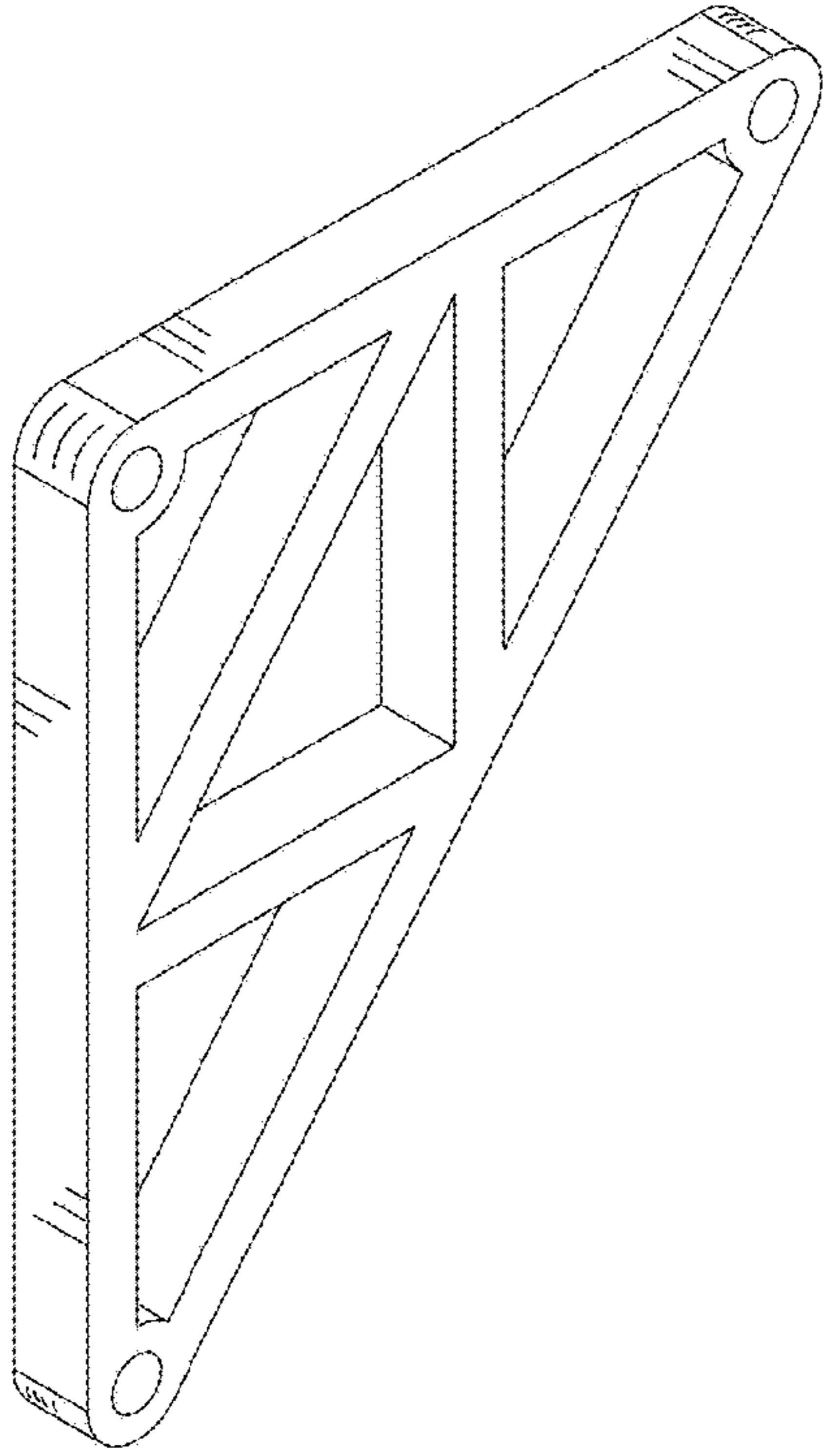


FIG. 9

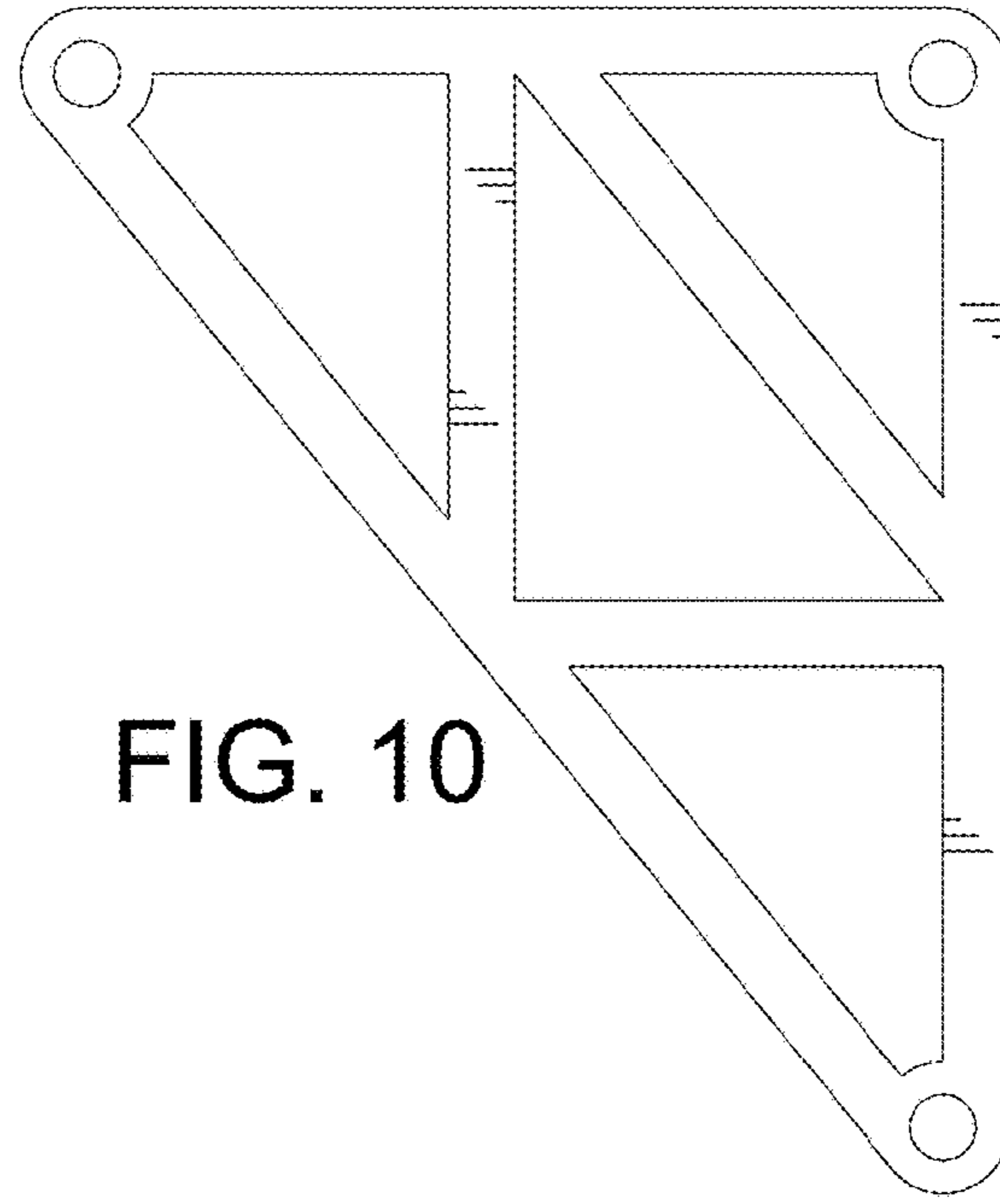


FIG. 10

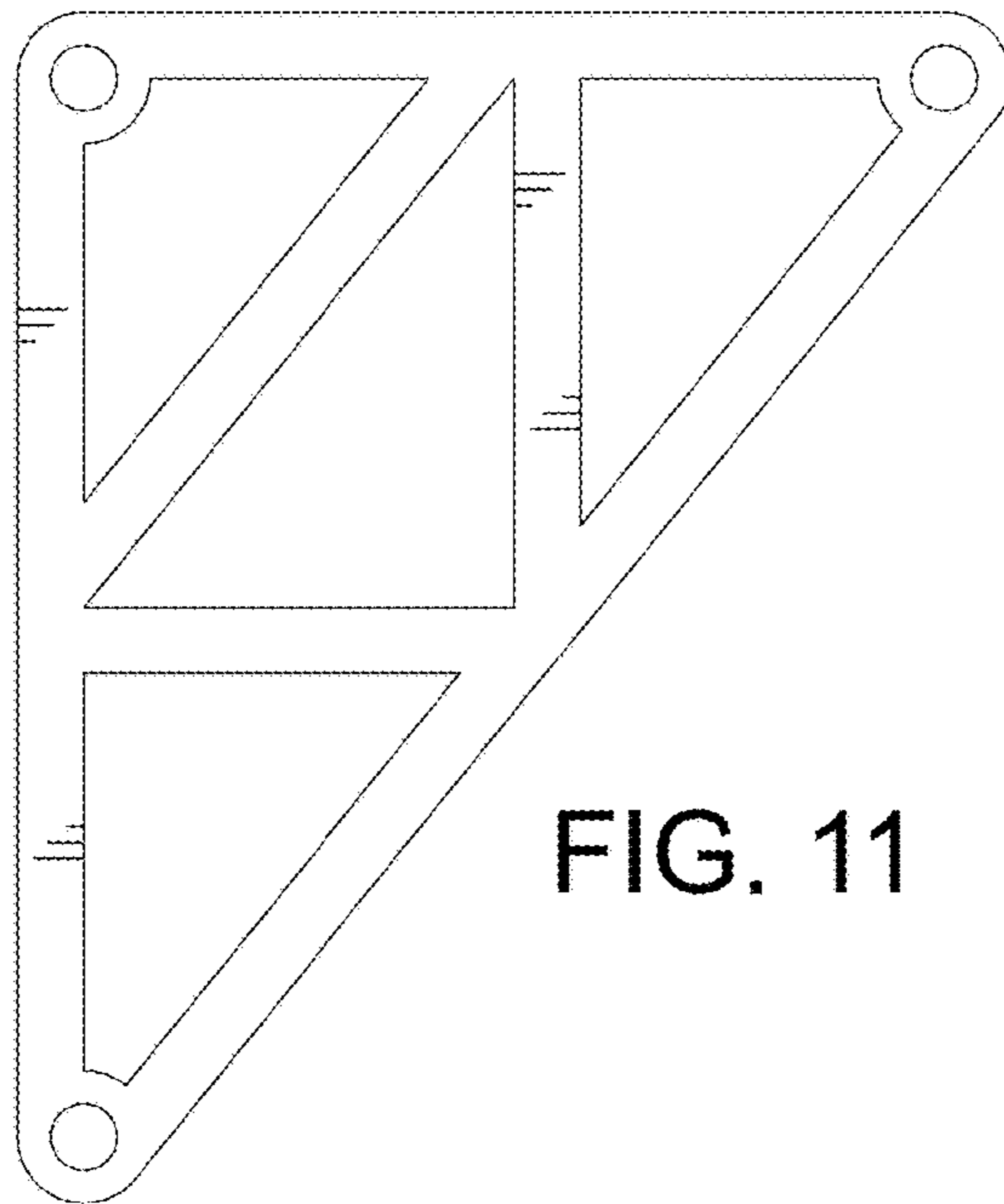


FIG. 11



FIG. 12



FIG. 13



FIG. 14



FIG. 15

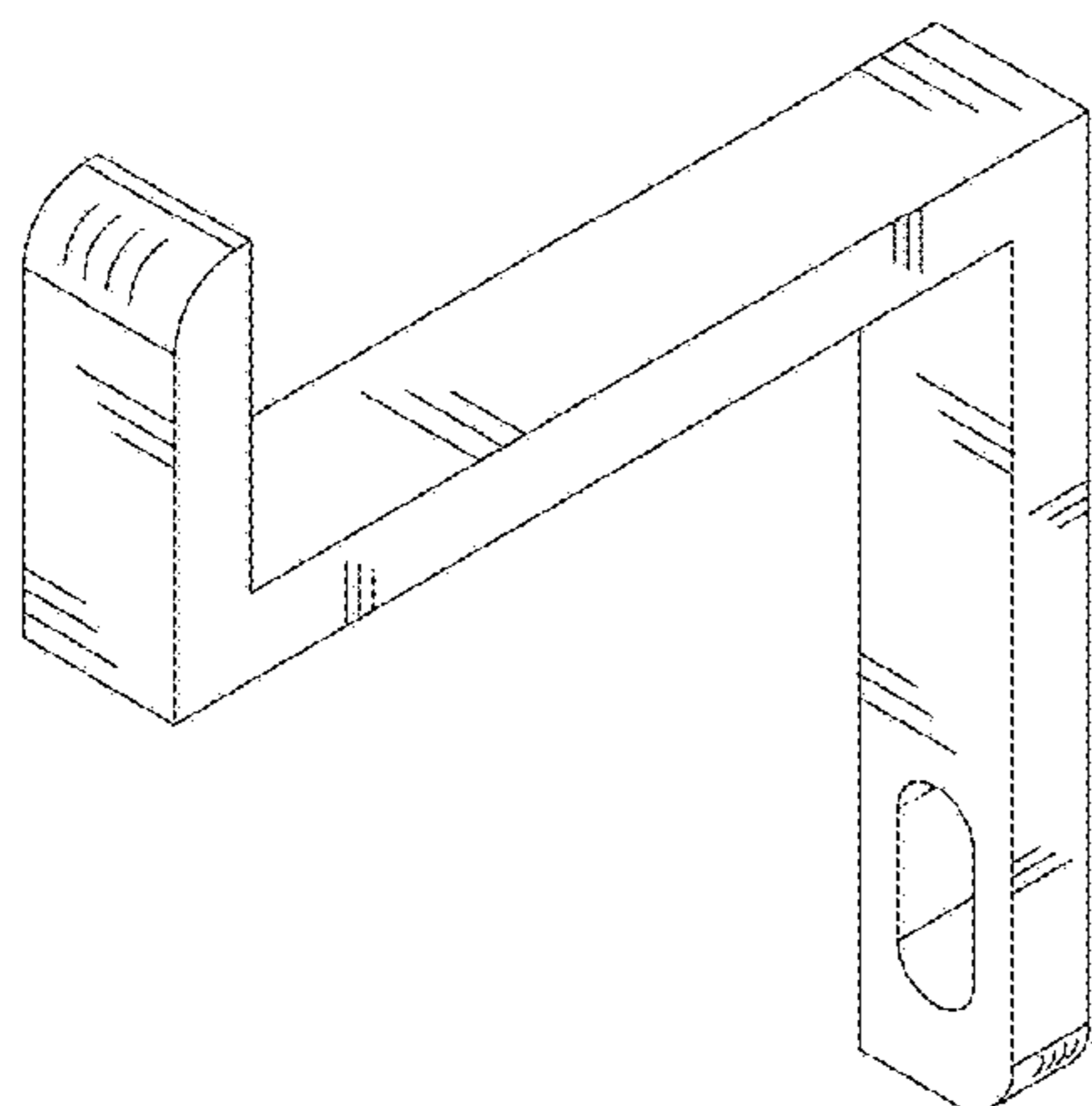


FIG. 16

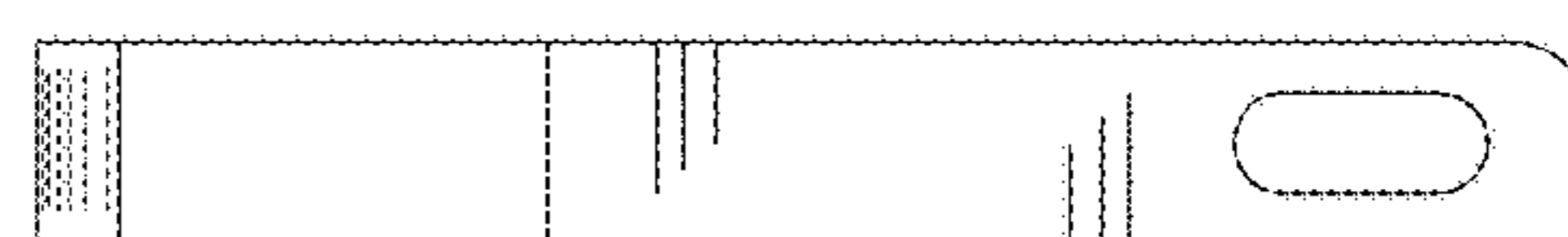


FIG. 17

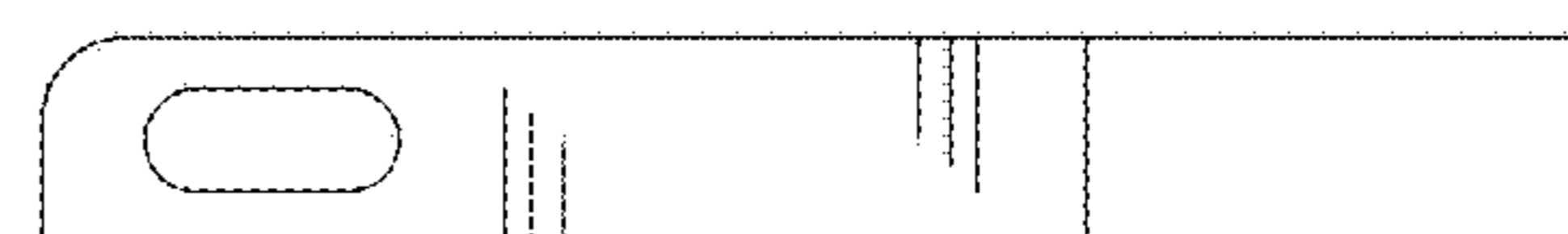


FIG. 18

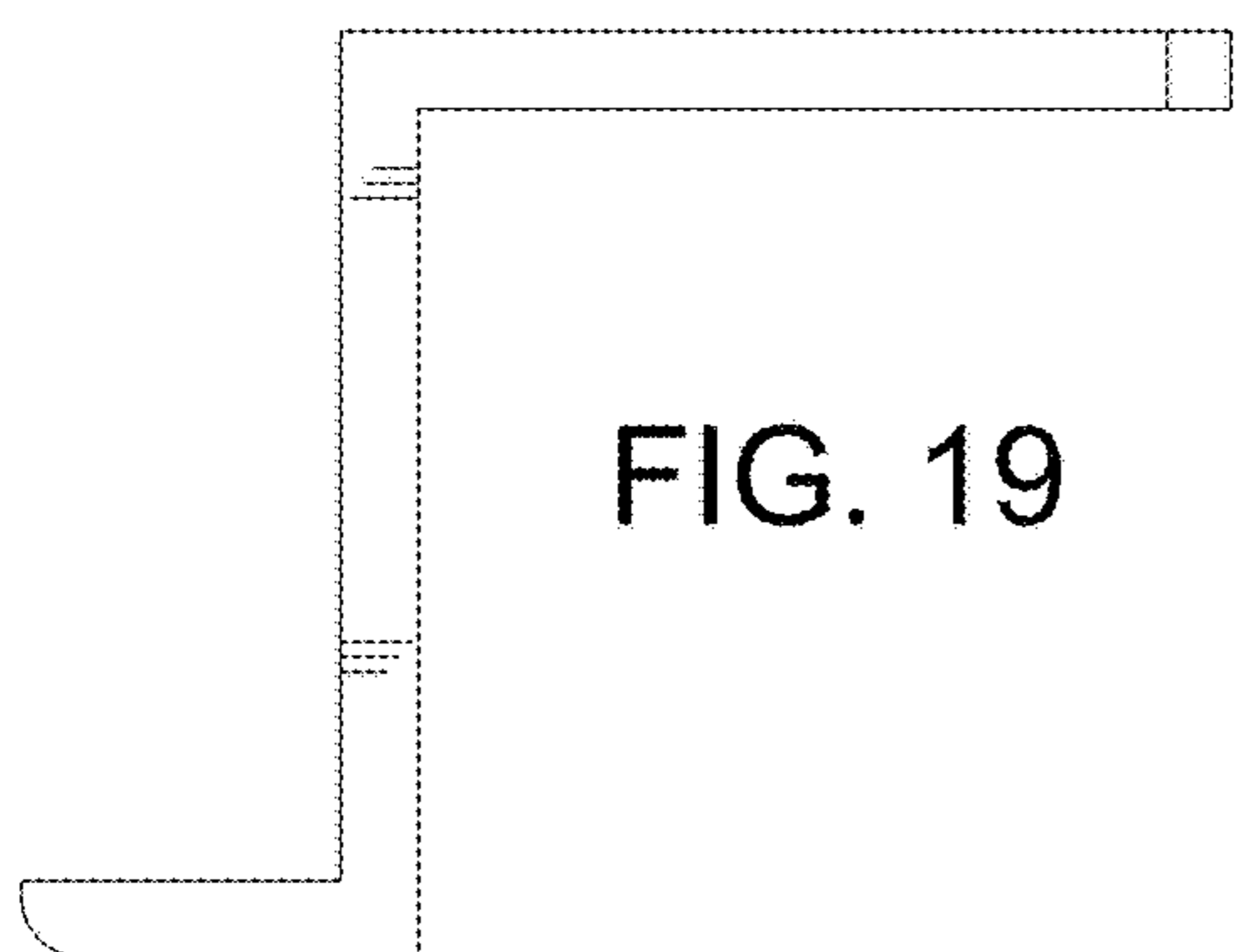


FIG. 19

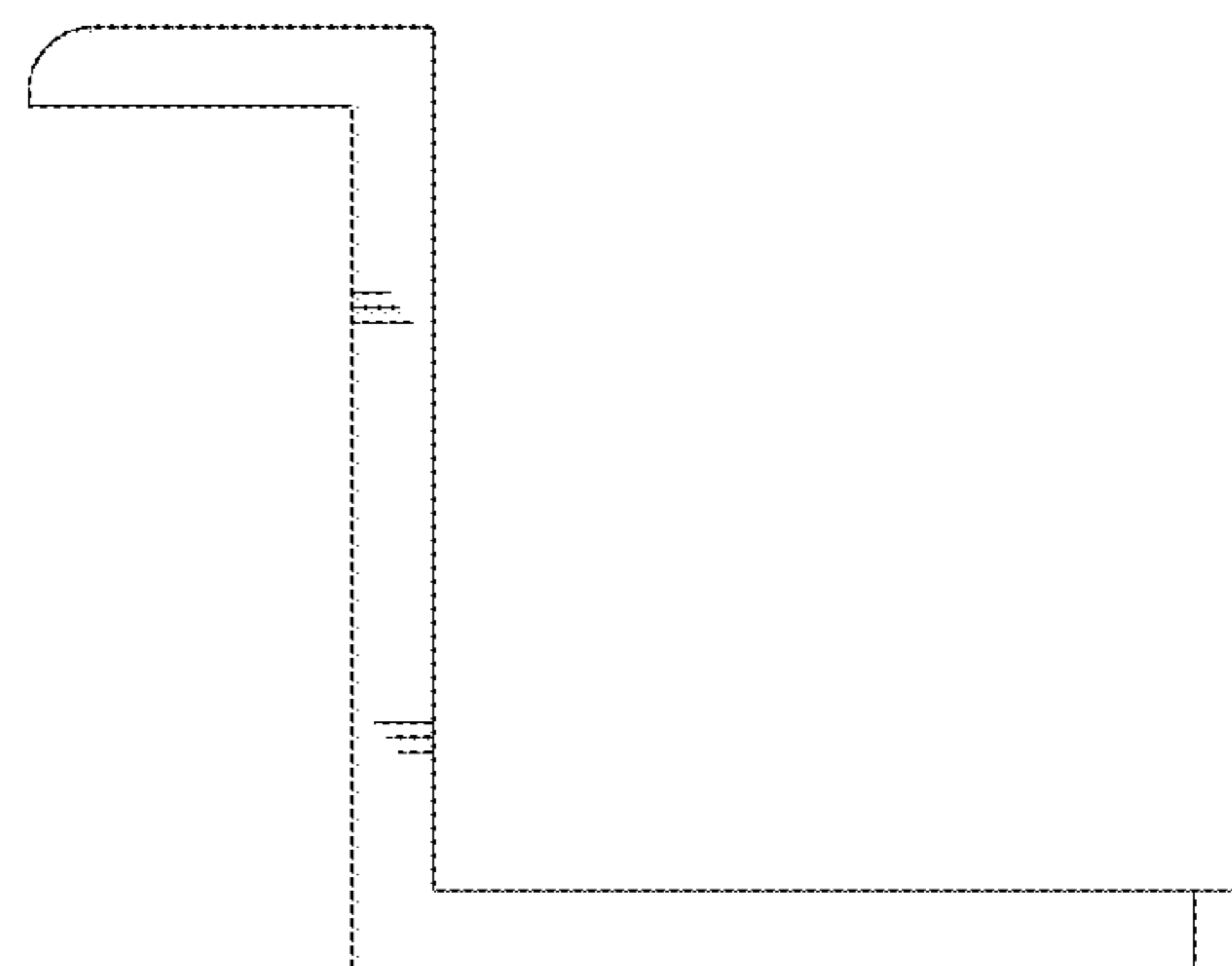


FIG. 20



FIG. 21



FIG. 22

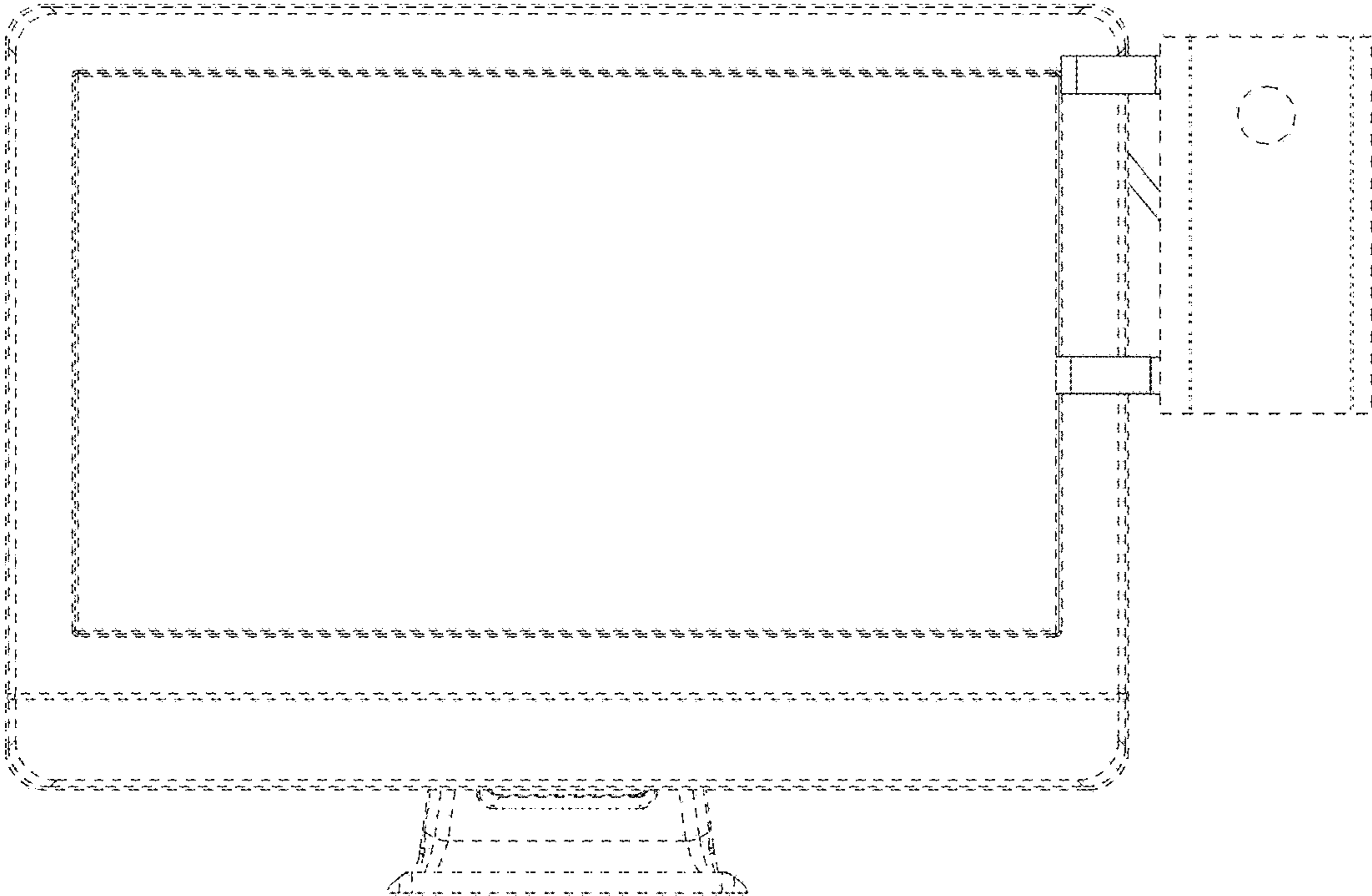


FIG. 23

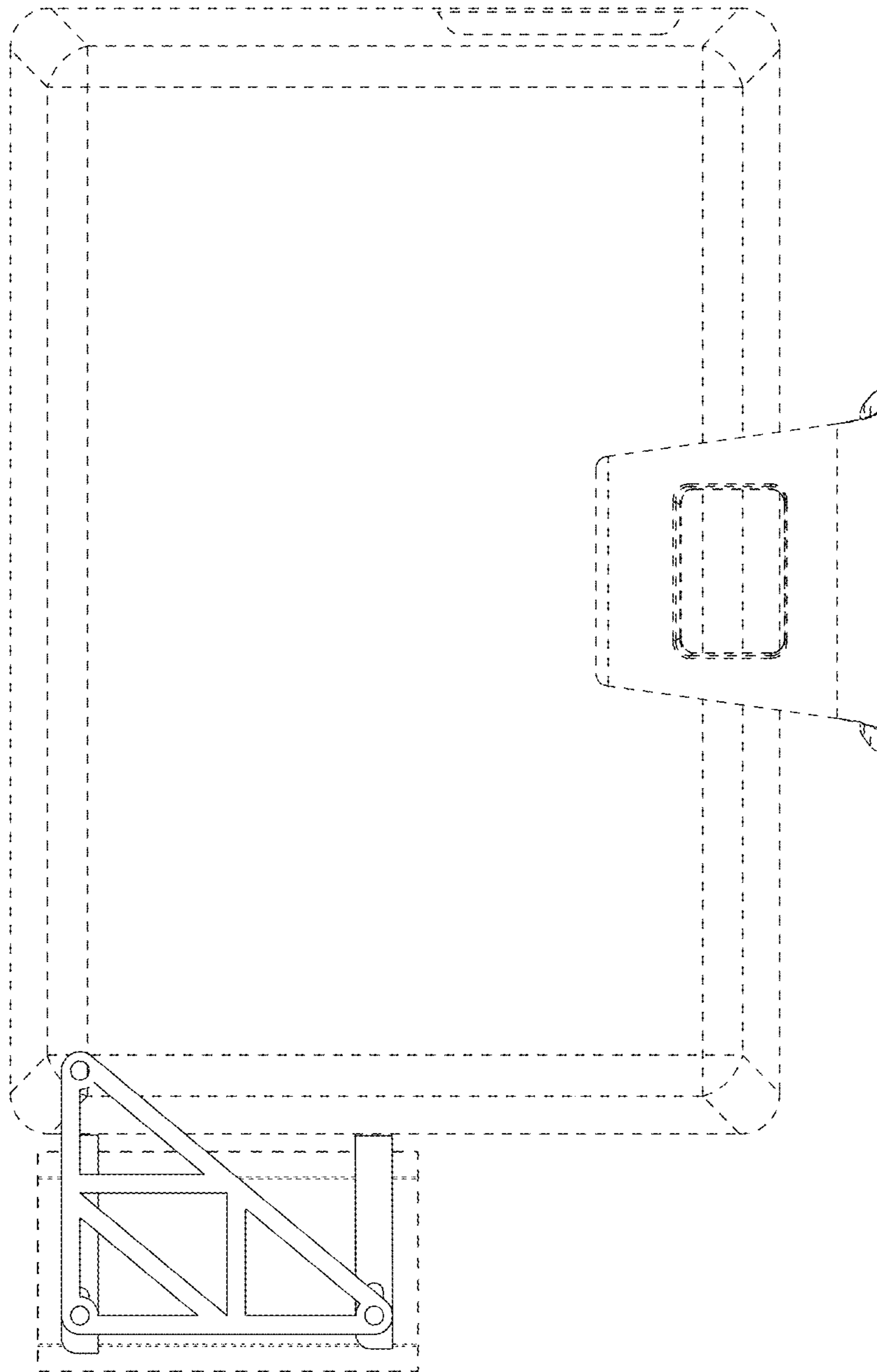


FIG. 24