



US00D845112S

(12) **United States Design Patent**
Parenteau

(10) **Patent No.:** **US D845,112 S**

(45) **Date of Patent:** **** Apr. 9, 2019**

(54) **PULLEY HOOK**

(71) Applicant: **PLURITAG INC.**, Trois-Rivières (CA)

(72) Inventor: **Guillaume Parenteau**, Trois-Rivières (CA)

(73) Assignee: **PLURITAG INC.**, Trois-Rivières (CA)

(**) Term: **15 Years**

(21) Appl. No.: **29/602,881**

(22) Filed: **May 4, 2017**

(30) **Foreign Application Priority Data**

Nov. 4, 2016 (CA) 171401

(51) **LOC (11) Cl.** **08-05**

(52) **U.S. Cl.**
USPC **D8/360; D8/367**

(58) **Field of Classification Search**
USPC D8/360.1, 356, 354, 349, 367, 360;
24/306; D14/490
CPC B65H 75/362; A47F 2005/0012
See application file for complete search history.

(56) **References Cited**

U.S. PATENT DOCUMENTS

- 5,309,608 A * 5/1994 Lucas A41F 15/02
24/304
- D366,824 S * 2/1996 Moore D8/360
- 6,058,639 A * 5/2000 Tinklenberg G09F 3/04
40/637
- D432,176 S * 10/2000 Stevens D20/22
- 6,279,255 B1 * 8/2001 Larsen G09F 3/14
40/637
- 6,349,493 B1 * 2/2002 Newman G09F 3/005
40/633

- D505,064 S * 5/2005 Kampfer D20/22
- D533,774 S * 12/2006 Harper D9/434
- D749,204 S * 2/2016 Breneman D23/372
- D767,832 S * 9/2016 Roberson D32/3
- D804,008 S * 11/2017 Mok D23/372
- 9,867,483 B2 * 1/2018 Shea G09F 23/06
- D811,404 S * 2/2018 Wadsworth D14/432
- D813,843 S * 3/2018 Norell D14/221
- 9,924,808 B2 * 3/2018 Heuer C09J 7/29
- 9,957,094 B2 * 5/2018 Maas A45D 44/00
- D825,569 S * 8/2018 Wolff D14/439

FOREIGN PATENT DOCUMENTS

DE 10046053 A1 4/2002

* cited by examiner

Primary Examiner — Cynthia R Underwood

(74) *Attorney, Agent, or Firm* — Norton Rose Fulbright
Canada LLP; Alexandre Daoust

(57) **CLAIM**

The ornamental design for a pulley hook, as shown and described.

DESCRIPTION

FIG. 1 is an oblique view, taken from the front and from the right side, of a first variant of a pulley hook showing the new design;

FIG. 2 is a right side elevation view thereof;

FIG. 3 is a left side elevation view thereof;

FIG. 4 is a front elevation view thereof;

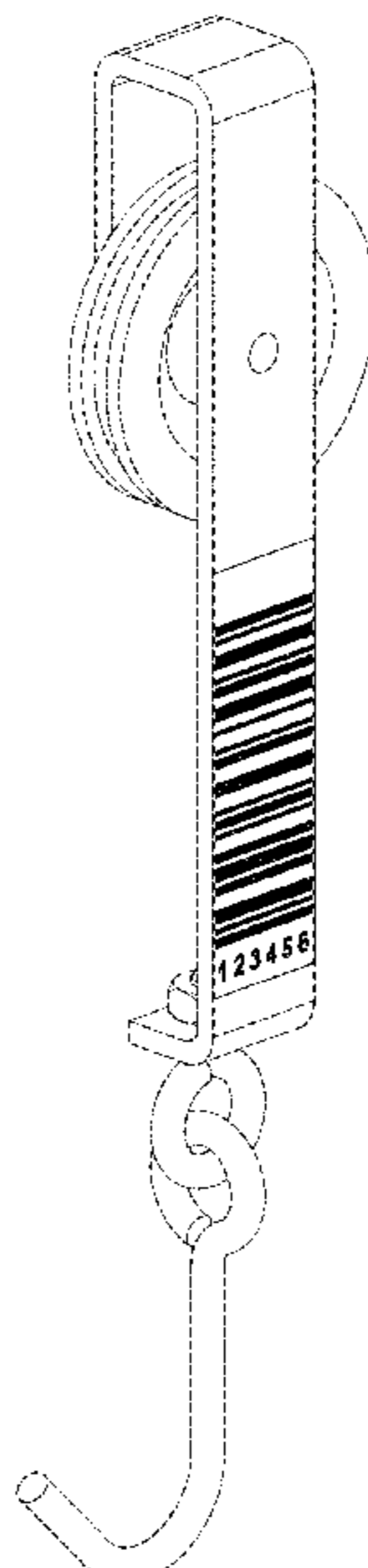
FIG. 5 is a rear elevation view thereof;

FIG. 6 is a top plan view thereof; and,

FIG. 7 is a bottom plan view thereof.

The dashed line showing of structural lines is included for the purpose of illustrating non-claimed matter and forms no part of the claimed design.

1 Claim, 6 Drawing Sheets



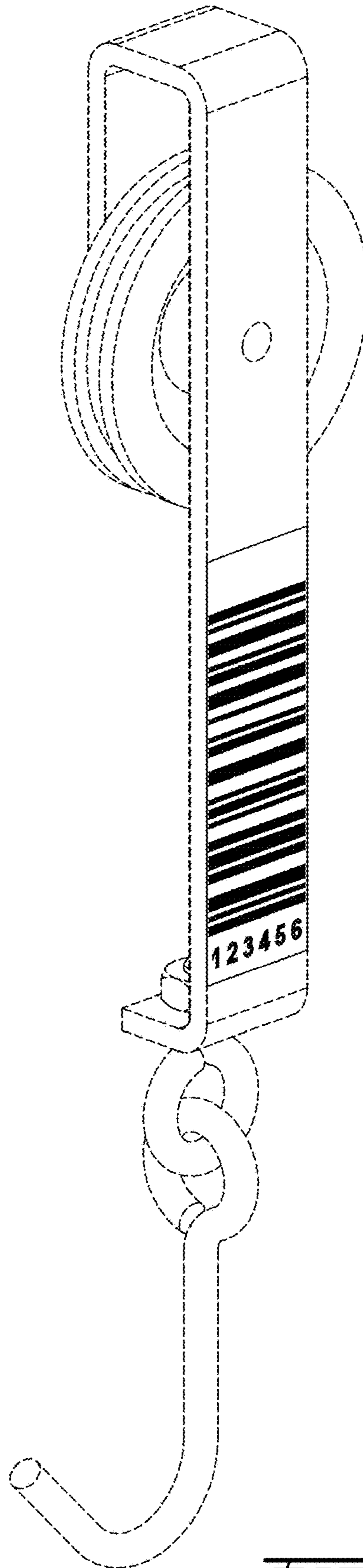
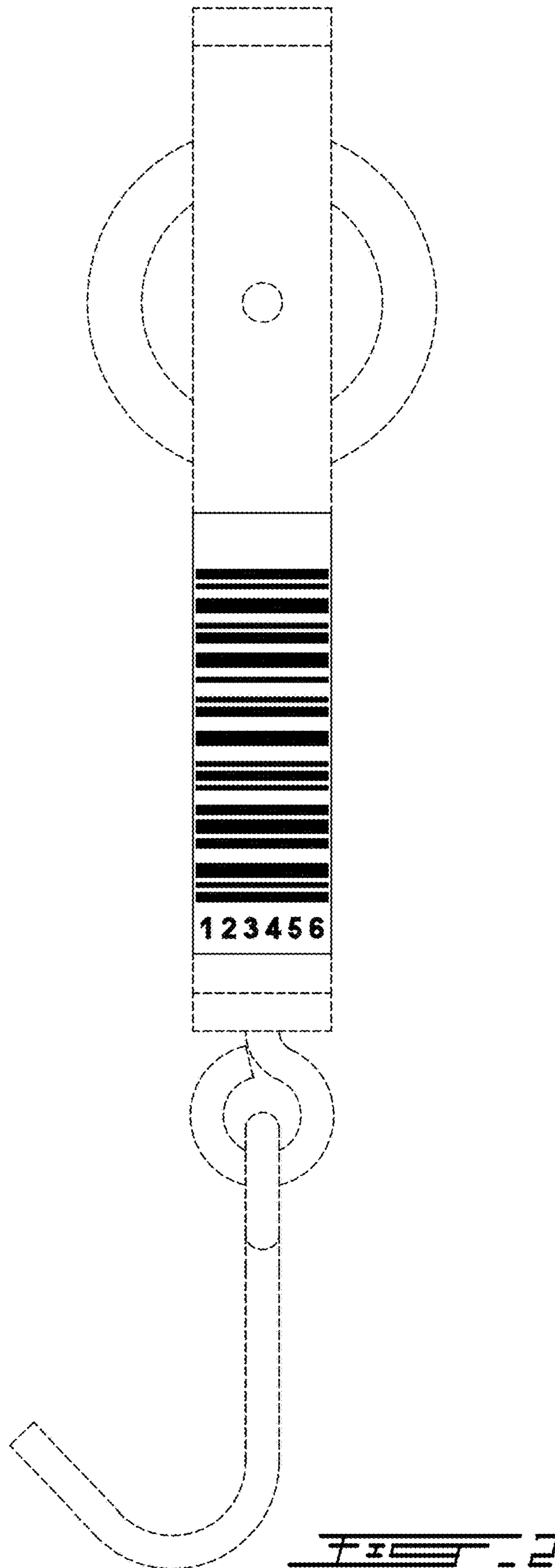
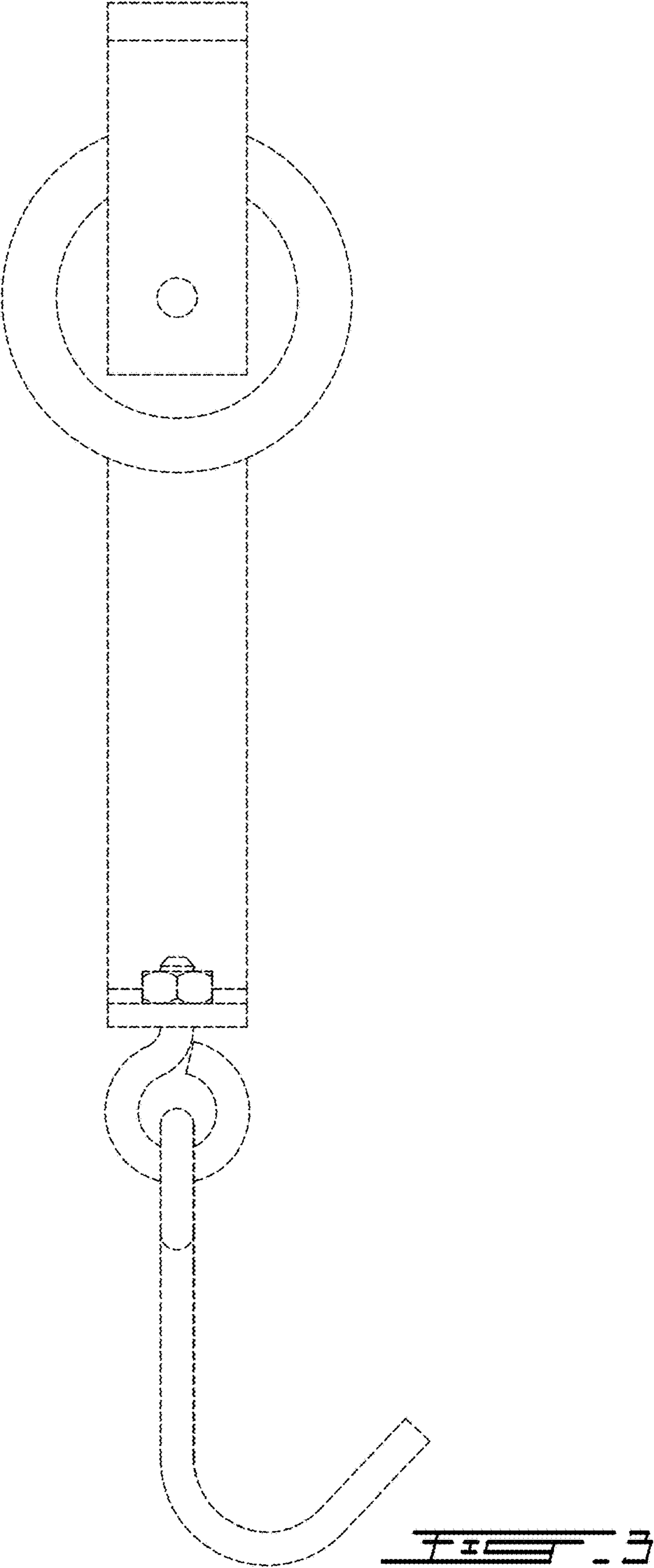


FIG. 1





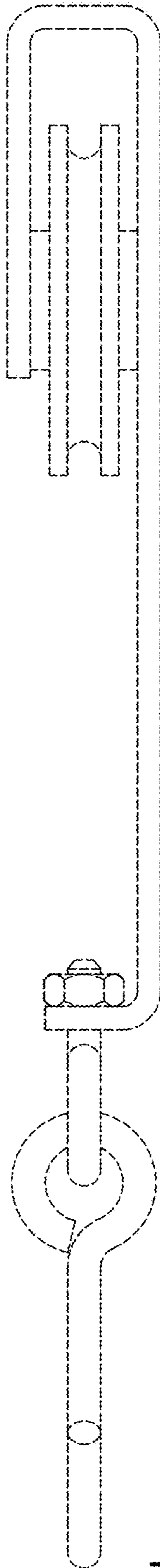


FIG. 4

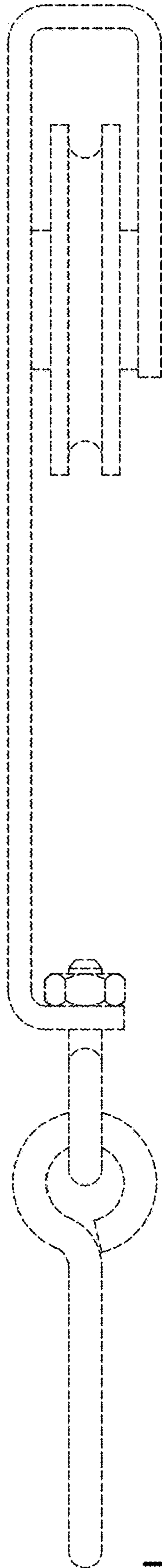


FIG. 5

