



US00D845111S

(12) **United States Design Patent** (10) **Patent No.:** **US D845,111 S**
Stener (45) **Date of Patent:** **** Apr. 9, 2019**

(54) **ADAPTOR FOR SUPPORTING AN ELECTRONIC DEVICE**

(71) Applicant: **Wild West Investments, LLC**, Dallas, TX (US)

(72) Inventor: **Gavin Stener**, Dallas, TX (US)

(73) Assignee: **Wild West Investments, LLC**, Dallas, TX (US)

(**) Term: **15 Years**

(21) Appl. No.: **29/663,162**

(22) Filed: **Sep. 12, 2018**

Related U.S. Application Data

(62) Division of application No. 29/654,050, filed on Jun. 20, 2018, now Pat. No. Des. 838,579.

(51) **LOC (11) Cl.** **08-05**

(52) **U.S. Cl.**
USPC **D8/354**

(58) **Field of Classification Search**

USPC D14/371-382, 125-129, 336, 337, D14/447-452, 492, 335, 376-382, 239, D14/448, 457, 439-441, 432, 251-253, D14/413, 416; D8/349, 354, 363, 373, D8/376, 380, 356, 377, 381; D21/333, D21/565; D12/133, 415; D3/10, 218; 348/180, 184, 325, 739, 825; 248/323, 248/278.1, 286.1; D6/580; D13/122; D25/119, 124

CPC G06F 3/0412; G06F 3/016; G06F 3/0488; G06F 3/011; G06F 3/038; G06F 3/03543; G06F 3/0338; G06F 3/0202; G06F 3/0219; G06F 3/0213; G06F 1/1616; G06F 3/023; G06F 3/04883; G02F 1/13338; G02F 1/1313; G02F 1/1333; G02F 1/135; G02F 1/132; G02F 1/133308; G02F 1/134309; G02F 1/13718; G09G 3/3648; G06K 15/1252;

B41J 2/465; G03F 7/70291; G02B 27/0172; G02B 5/30; G02B 2027/0118; G02B 27/0101; F16M 13/02; F16M 13/00; F16M 11/10; F16M 11/04; F16M 2200/08; F16M 11/2021; A47B 21/0314; A47B 88/044; A47B 2021/0335; H02G 3/126; F16B 47/00; F16B 47/006; A47G 1/17; A47K 2201/00

See application file for complete search history.

(56) **References Cited**

U.S. PATENT DOCUMENTS

D290,719 S	7/1987	Holloway	
D291,785 S *	9/1987	Rahme	D10/46
D317,331 S	6/1991	Holloway	
D357,400 S *	4/1995	Sachs	D8/354
D360,571 S *	7/1995	Perry	D8/354
D373,761 S	9/1996	Yu	

(Continued)

Primary Examiner — Katie Jane Stofko

(74) *Attorney, Agent, or Firm* — Dentons US LLP

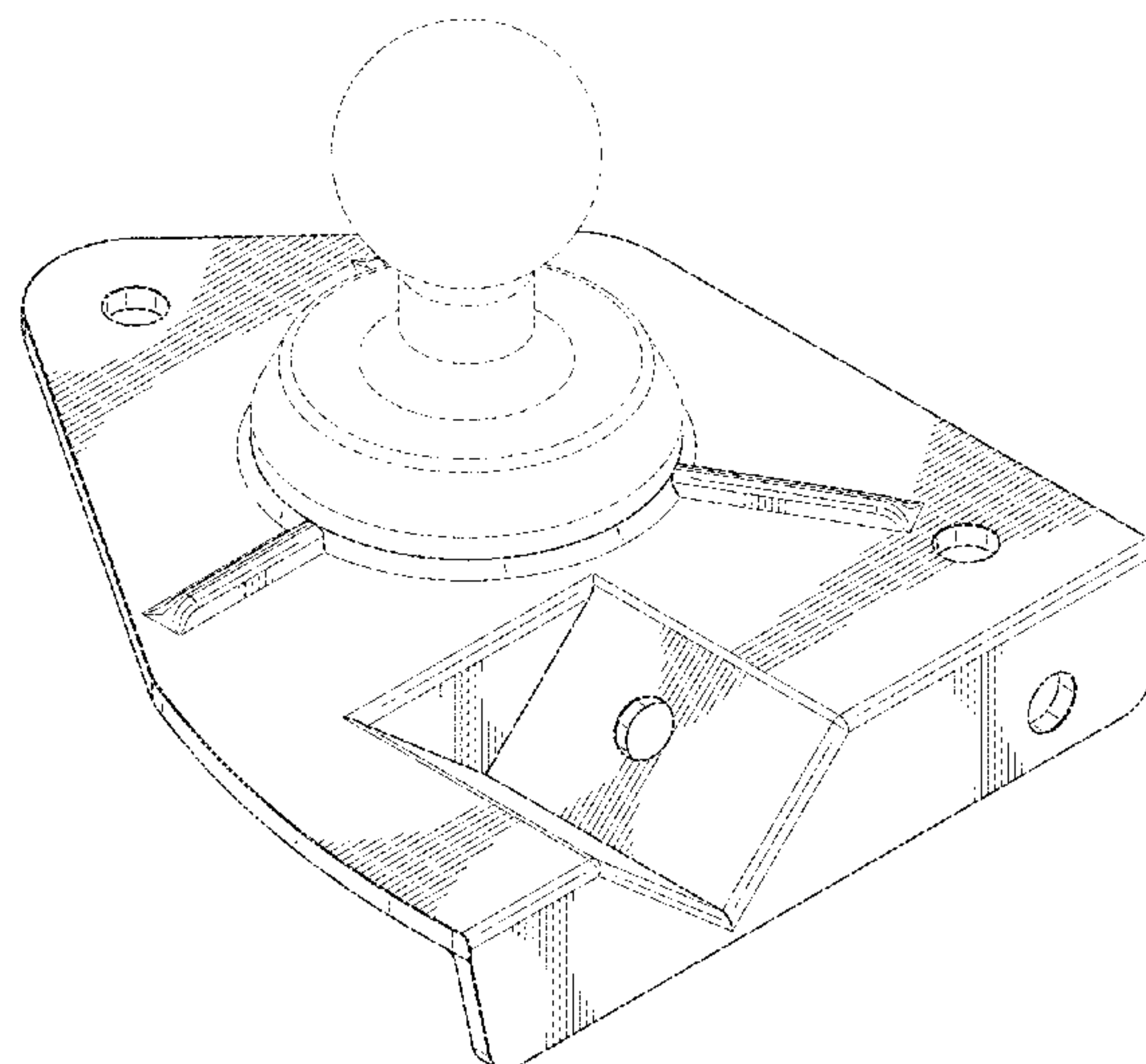
(57) **CLAIM**

An ornamental design for an adaptor for supporting an electronic device, as shown and described.

DESCRIPTION

FIG. 1 is a front, top, left perspective view of an adaptor for supporting an electronic device;
FIG. 2 is a front elevation view thereof;
FIG. 3 is a rear elevation view thereof;
FIG. 4 is a right side elevation view thereof;
FIG. 5 is a left side elevation view thereof;
FIG. 6 is a top plan view thereof; and,
FIG. 7 is a bottom plan view thereof.
The broken lines shown in FIG. 7 illustrate portions of the adaptor for supporting an electronic device that form no part of the claimed design.

1 Claim, 5 Drawing Sheets



(56)

References Cited

U.S. PATENT DOCUMENTS

D374,165	S	*	10/1996	Marshall	D8/354
D390,709	S		2/1998	Moore		
D401,496	S	*	11/1998	Lambert	D8/354
D409,182	S		5/1999	Tyler		
D443,566	S	*	6/2001	Peterson	D12/162
D554,137	S		10/2007	Richter		
D592,487	S		5/2009	Tedesco		
D657,783	S		4/2012	Mo		
D673,443	S	*	1/2013	Elrod	D8/356
D674,681	S	*	1/2013	Gorman	D8/367
D686,622	S		7/2013	Rey		
D691,027	S	*	10/2013	Rainer	D8/356
D718,298	S		11/2014	Aspinall		
D723,559	S		3/2015	Hein		
D732,519	S		6/2015	Aspinall		
D733,116	S		6/2015	Aspinall		
D740,589	S	*	10/2015	Ng	D6/580
D741,689	S		10/2015	Metzler		
D748,640	S		2/2016	Hart		
D753,983	S		4/2016	Toye		
D754,527	S		4/2016	Green		
D759,465	S	*	6/2016	Reed	D8/354
D760,066	S	*	6/2016	Krenek	D8/354
D792,418	S		7/2017	Stener		
D807,152	S	*	1/2018	Hansen	D8/354
2004/0251388	A1		12/2004	Williams		
2005/0045779	A1		3/2005	Nan		

* cited by examiner

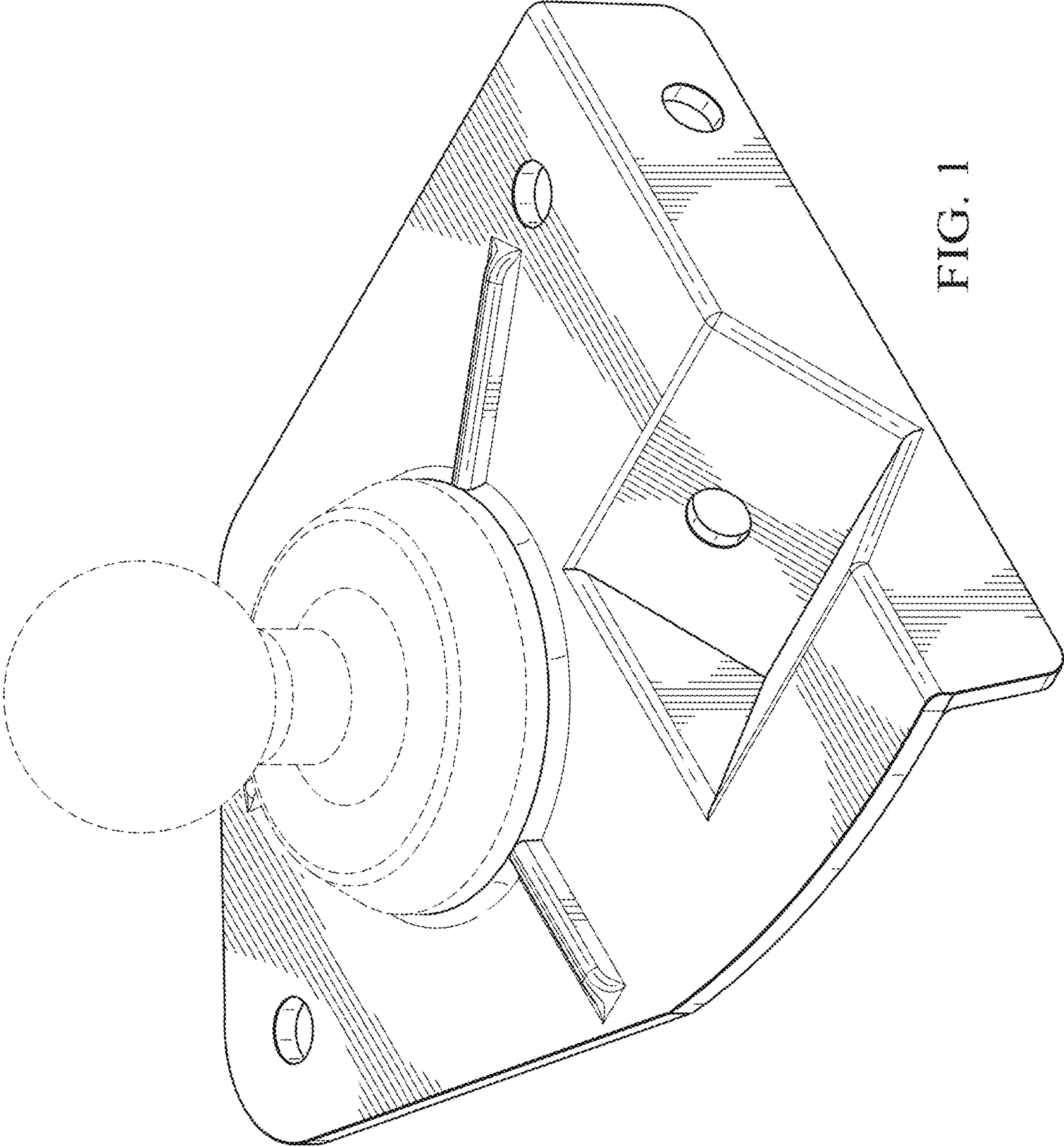


FIG. 1

FIG. 2

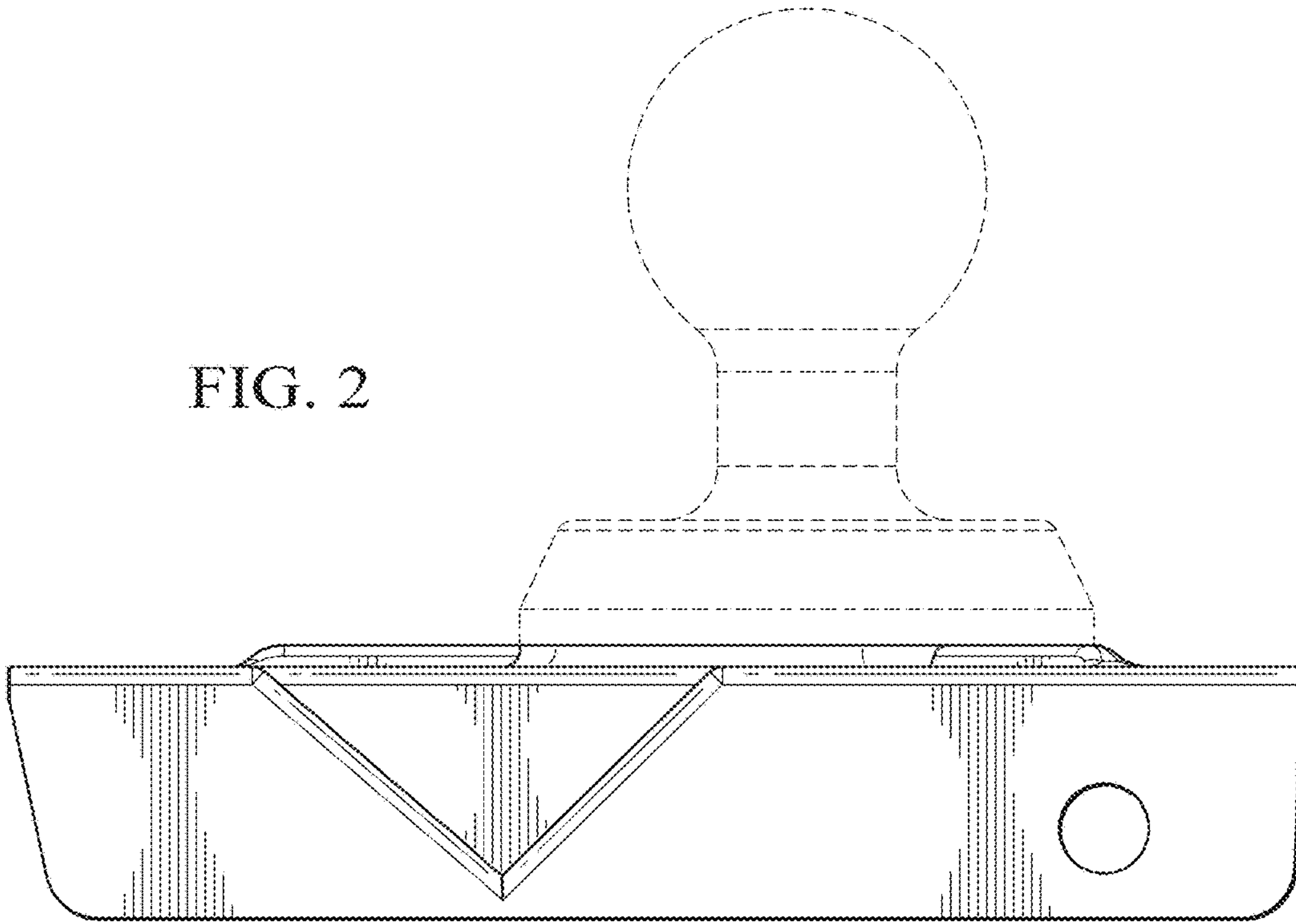


FIG. 3

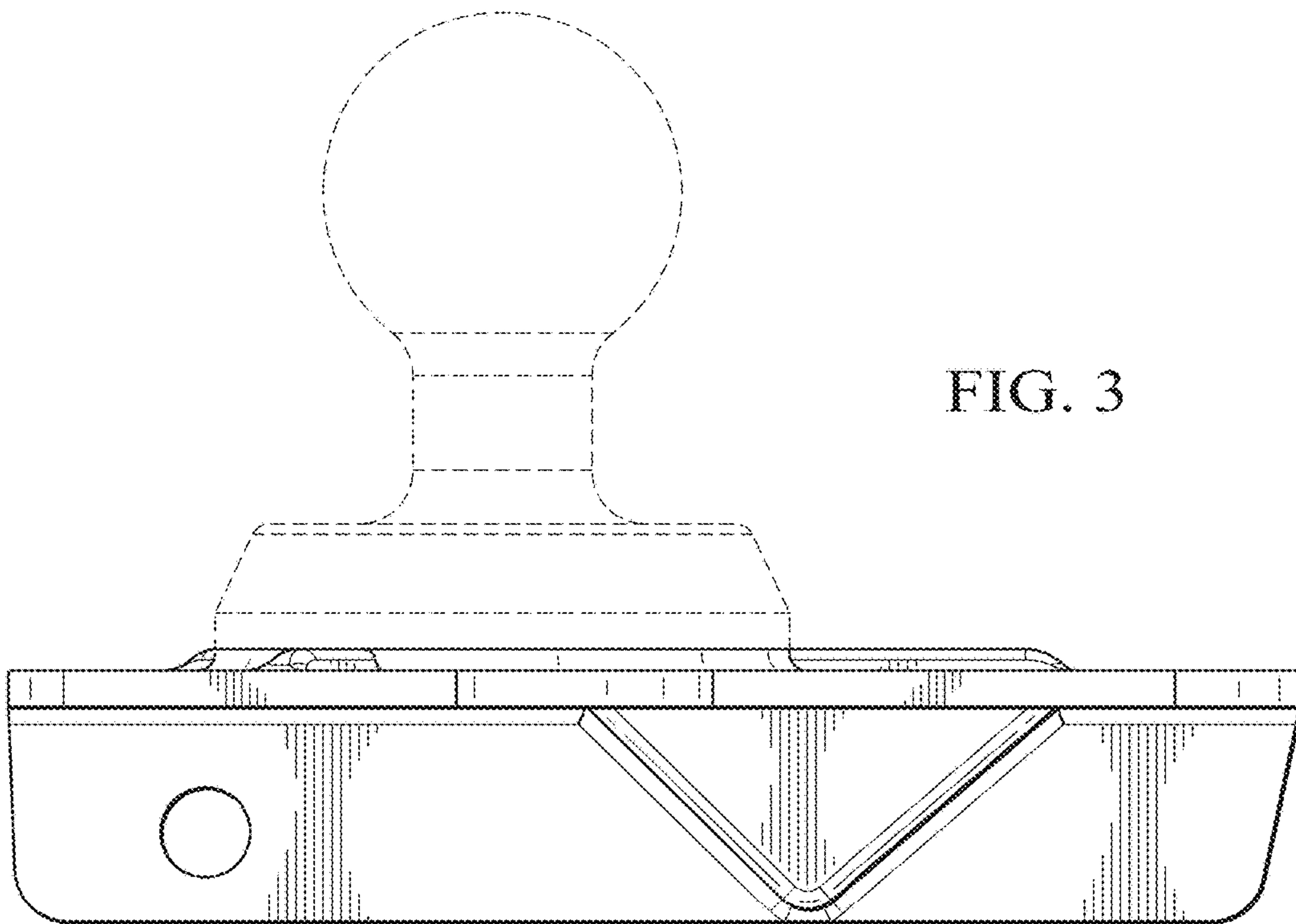


FIG. 4

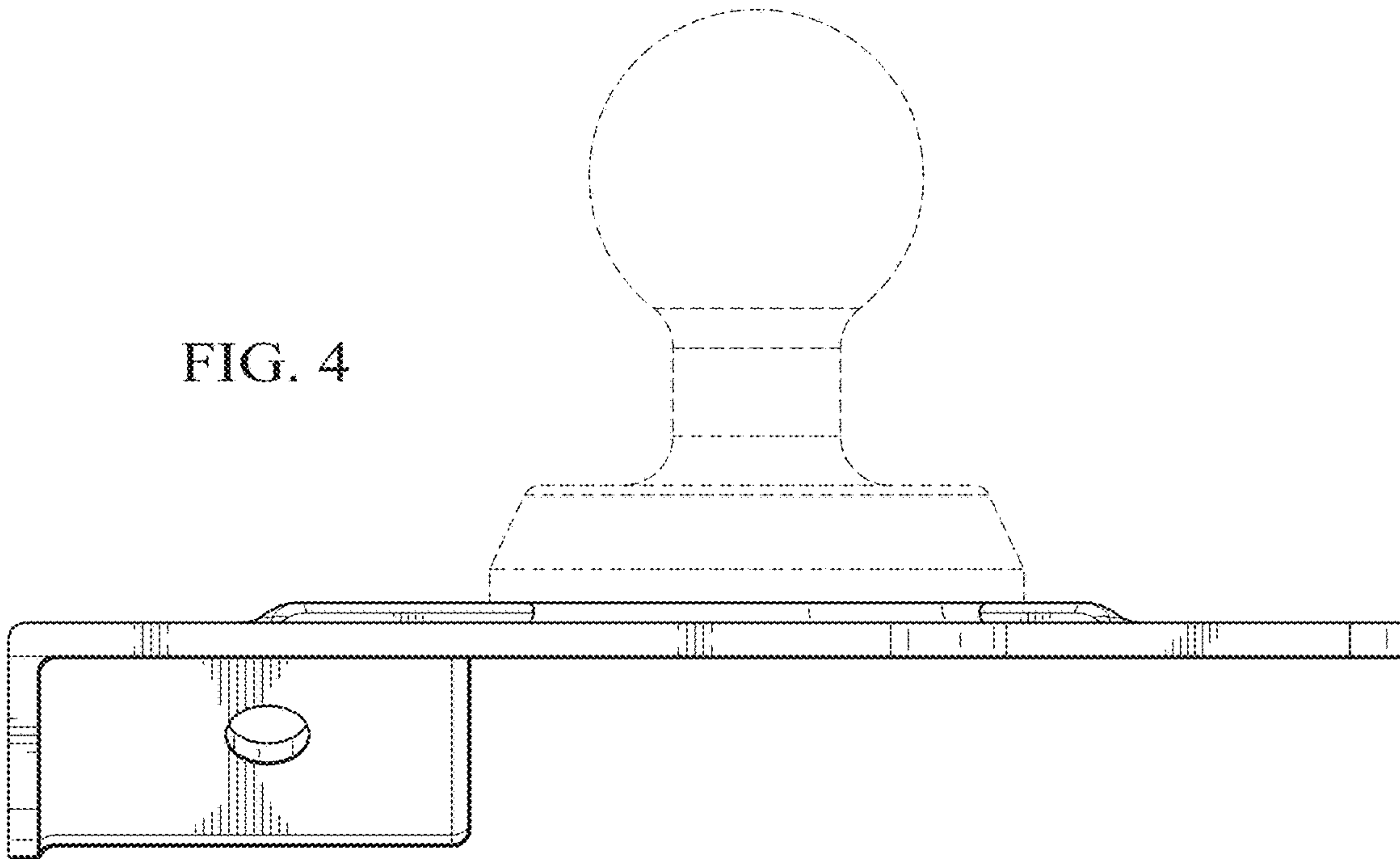
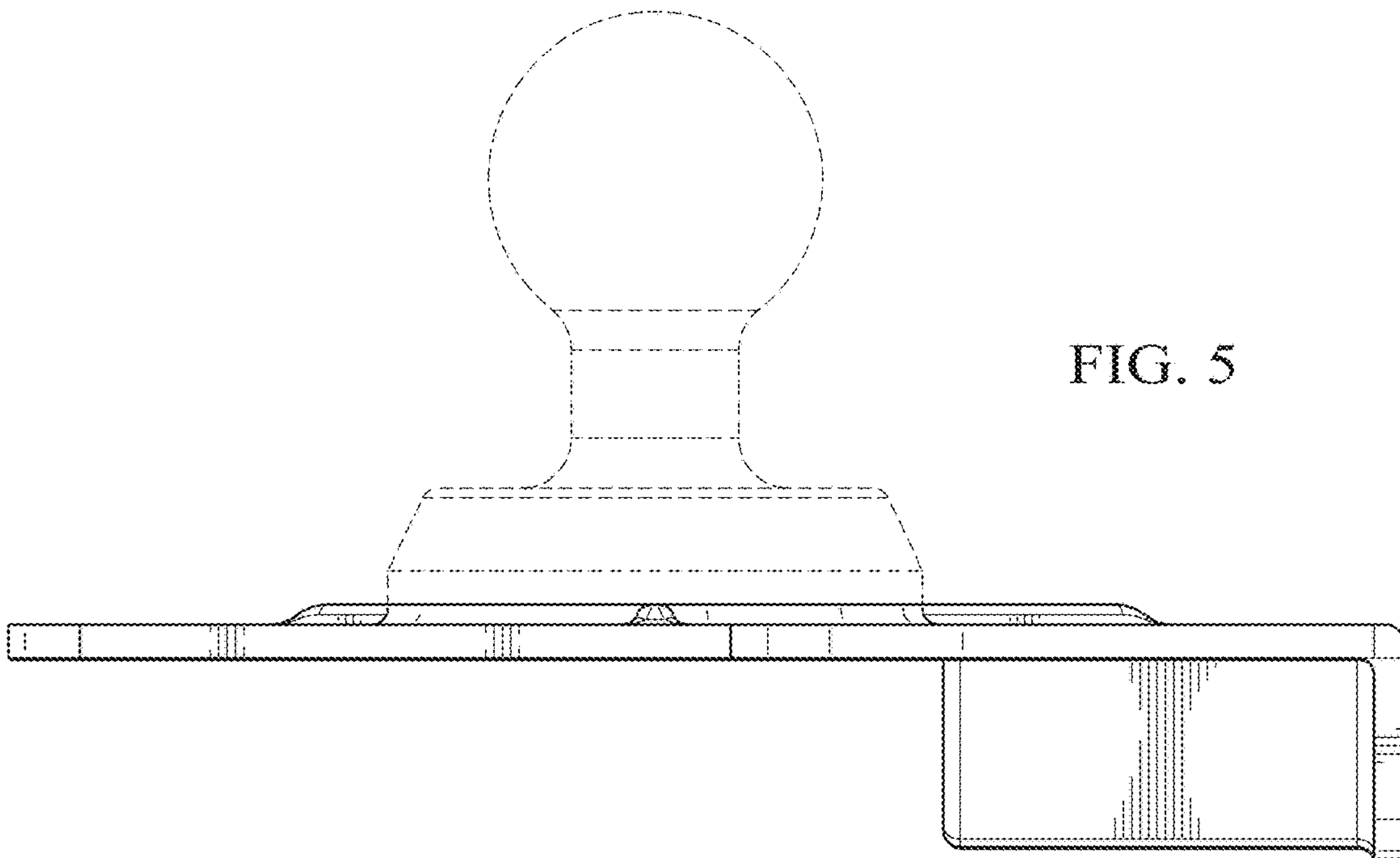


FIG. 5



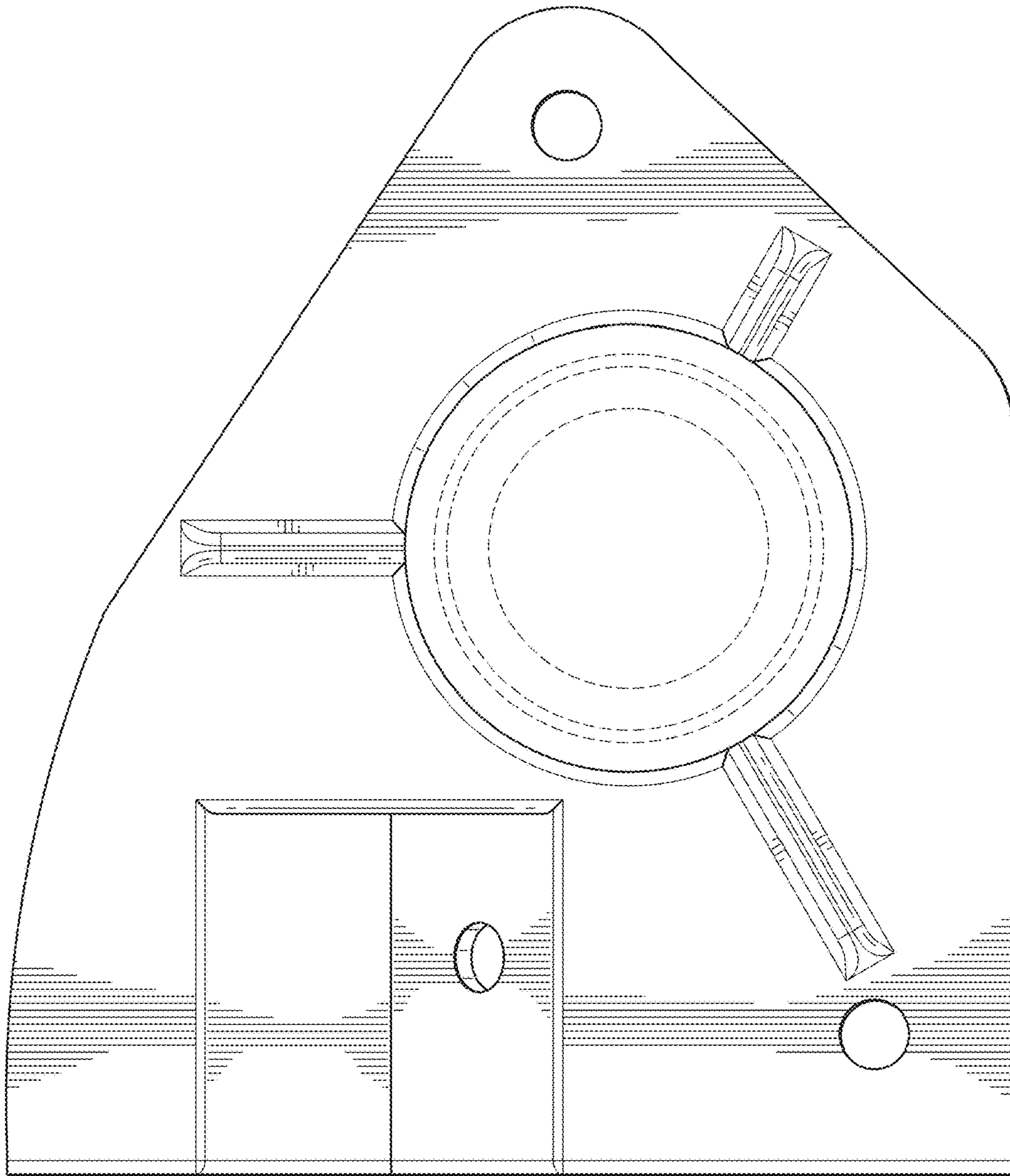


FIG. 6

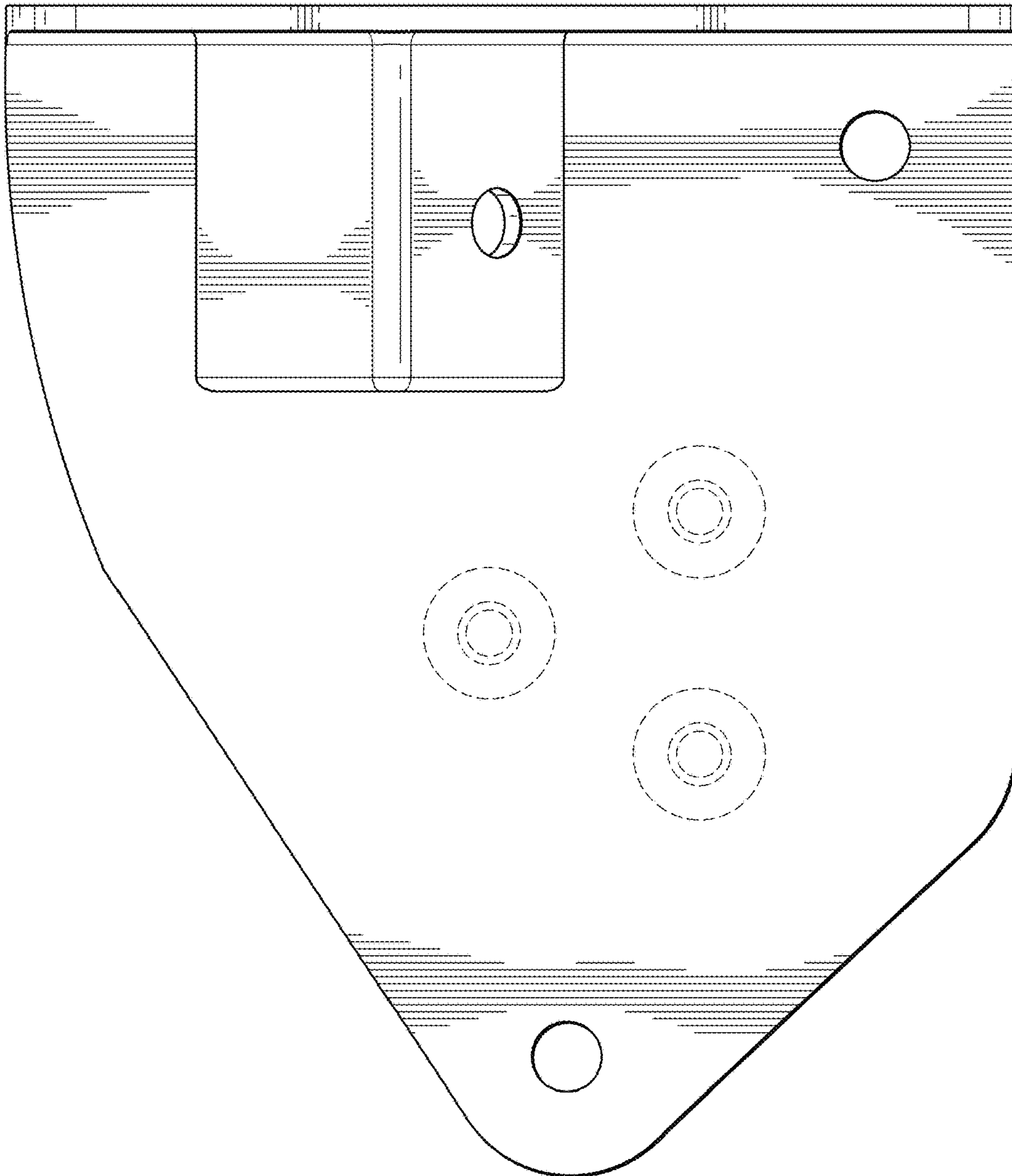


FIG. 7