



US00D845107S

(12) **United States Design Patent** (10) **Patent No.:** **US D845,107 S**
Johnson (45) **Date of Patent:** **** Apr. 9, 2019**

(54) **KNOB**
(71) Applicant: **CATERPILLAR INC.**, Peoria, IL (US)
(72) Inventor: **Terril Johnson**, Washington, IL (US)
(73) Assignee: **Caterpillar Inc.**, Deerfield, IL (US)
(**) Term: **15 Years**
(21) Appl. No.: **29/633,767**

D508,225 S * 8/2005 Scheepers D12/197
D521,314 S * 5/2006 Ball D7/393
D525,518 S * 7/2006 Baldwin D8/310
D559,206 S * 1/2008 Neveu D13/174
D587,556 S * 3/2009 Marks D8/300
D612,704 S * 3/2010 Funnell D8/310
D612,705 S * 3/2010 Baker D8/311
D634,156 S * 3/2011 Fuller D7/393
D634,602 S * 3/2011 Bengtson D8/311
D637,886 S * 5/2011 Bengtson D8/311
D766,697 S * 9/2016 Vergin D8/311
9,605,852 B2 * 3/2017 Porraro F24C 3/12
D786,651 S * 5/2017 Shoemaker D8/311

(Continued)

(22) Filed: **Jan. 16, 2018**
(51) **LOC (11) Cl.** **08-06**
(52) **U.S. Cl.**
USPC **D8/312**

Primary Examiner — Lauren R Calve
(74) *Attorney, Agent, or Firm* — Finnegan, Henderson, Farabow, Garrett & Dunner, LLP

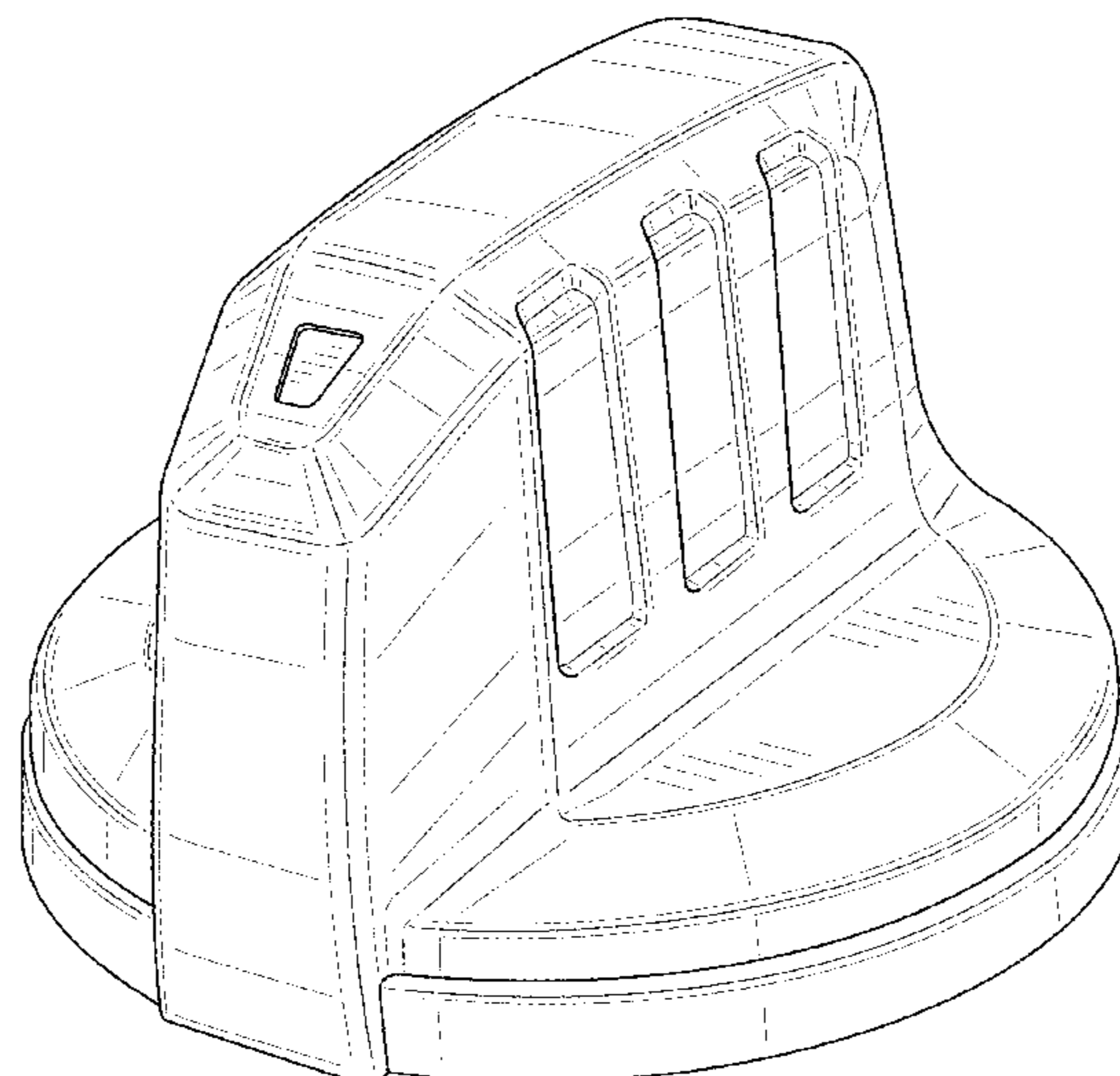
(58) **Field of Classification Search**
USPC D8/107, 300, 301, 307, 310, 311, 312;
D23/250, 252; D7/393; D13/174;
D14/401
CPC ... Y10T 292/57; Y10T 292/82; Y10T 16/469;
Y10T 16/44; Y10T 16/476; Y10T
74/2084; Y10T 292/85; Y10T 74/2087;
Y10T 16/4713; Y10T 16/506; Y10T
74/20876; Y10T 74/20612; Y10T
70/5765; Y10T 16/459; Y10T 74/2066;
Y10T 16/487; Y10T 74/20822
See application file for complete search history.

(57) **CLAIM**
The ornamental design for a knob, as shown and described.

(56) **References Cited**
U.S. PATENT DOCUMENTS
2,537,782 A * 1/1951 Meyers G05G 1/10
116/309
2,763,231 A * 9/1956 Neugass G05G 1/10
116/332
5,345,838 A * 9/1994 Howie, Jr. G05G 1/10
116/309
5,974,909 A * 11/1999 Bauer B60Q 1/0082
16/430
6,767,104 B2 * 7/2004 Worrell H01H 19/025
362/23.19

DESCRIPTION
FIG. 1 is a front, right, top perspective view of a knob showing my new design;
FIG. 2 is a back, left, top perspective view thereof;
FIG. 3 is a front, right, bottom perspective view thereof;
FIG. 4 is a back, left, bottom perspective view thereof;
FIG. 5 is a top plan view thereof;
FIG. 6 is a bottom plan view thereof;
FIG. 7 is a right side view thereof, with the left side view being a mirror image thereof;
FIG. 8 is a front elevation view thereof;
FIG. 9 is a rear elevation view thereof; and,
FIG. 10 is a front elevation view thereof with a gauge, wherein the gauge forms no part of the claimed design.
The broken lines of even length shown in the drawings illustrate portions of the knob and gauge that form no part of the claimed design.

1 Claim, 10 Drawing Sheets



(56)

References Cited

U.S. PATENT DOCUMENTS

D793,199	S *	8/2017	Nilssen	D8/311
D805,842	S *	12/2017	Funnell, II	D7/406
D808,243	S *	1/2018	Clements	D8/311
D808,767	S *	1/2018	Kim	D8/311
D824,744	S *	8/2018	Ortner	D8/311
2007/0199806	A1 *	8/2007	Da Dalt	H01H 19/6355 200/11 R
2009/0293858	A1 *	12/2009	Krasznai	A47J 37/0676 126/25 R
2010/0264344	A1 *	10/2010	Shaffer	F24C 3/124 251/213
2010/0294632	A1 *	11/2010	Reddering	G05G 1/08 200/11 R
2012/0305820	A1 *	12/2012	Bollman	F24C 3/126 251/213

* cited by examiner

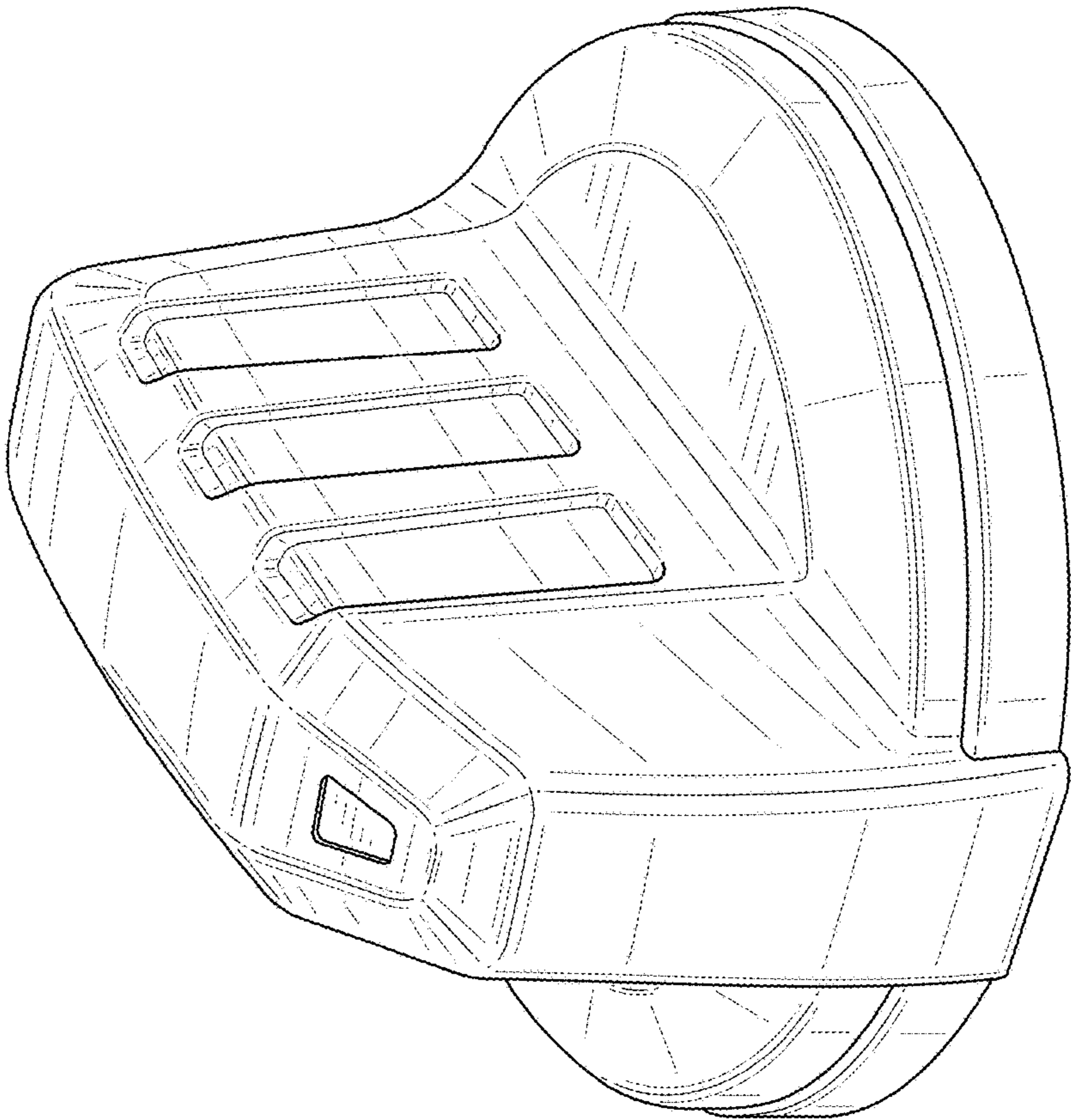


FIG. 1

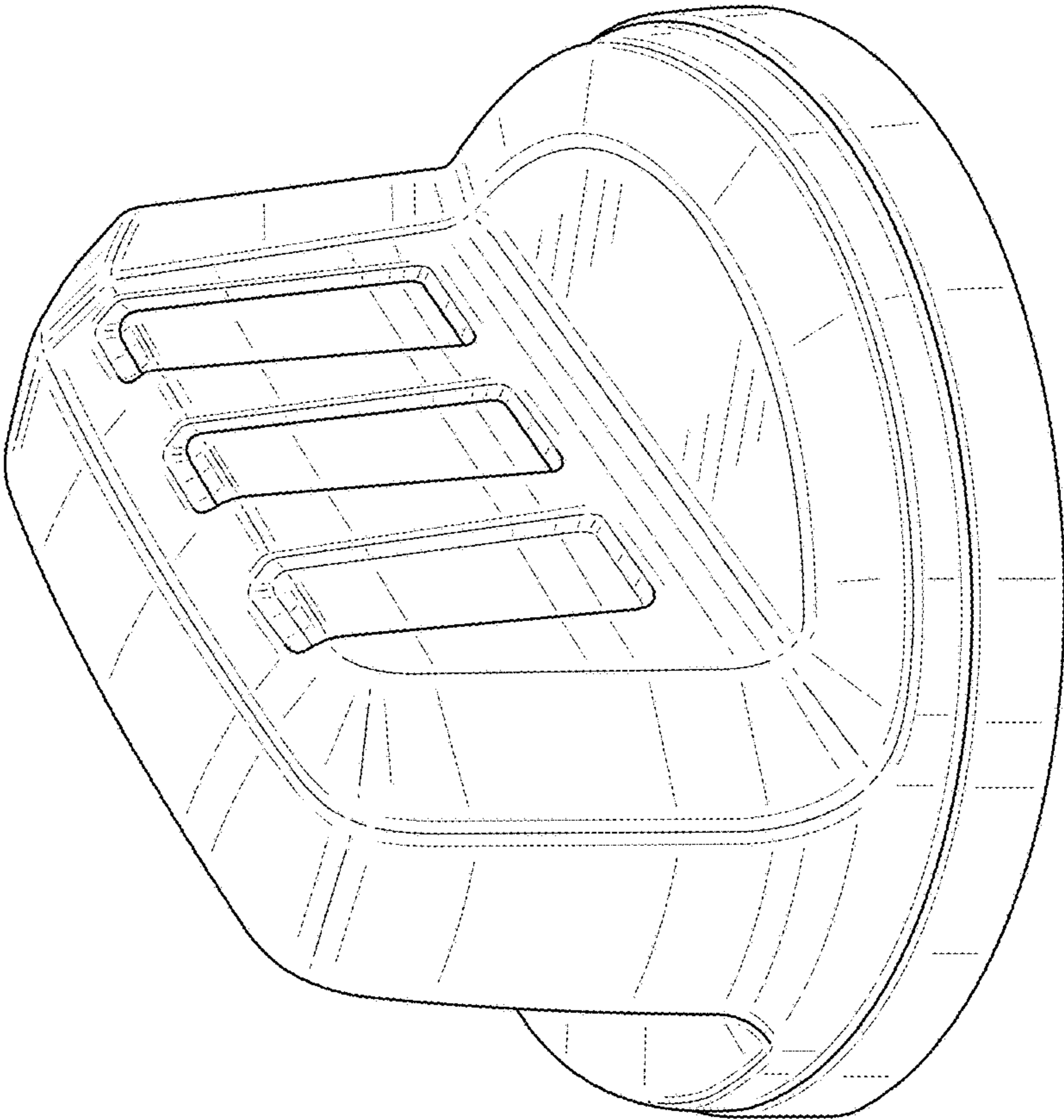


FIG. 2

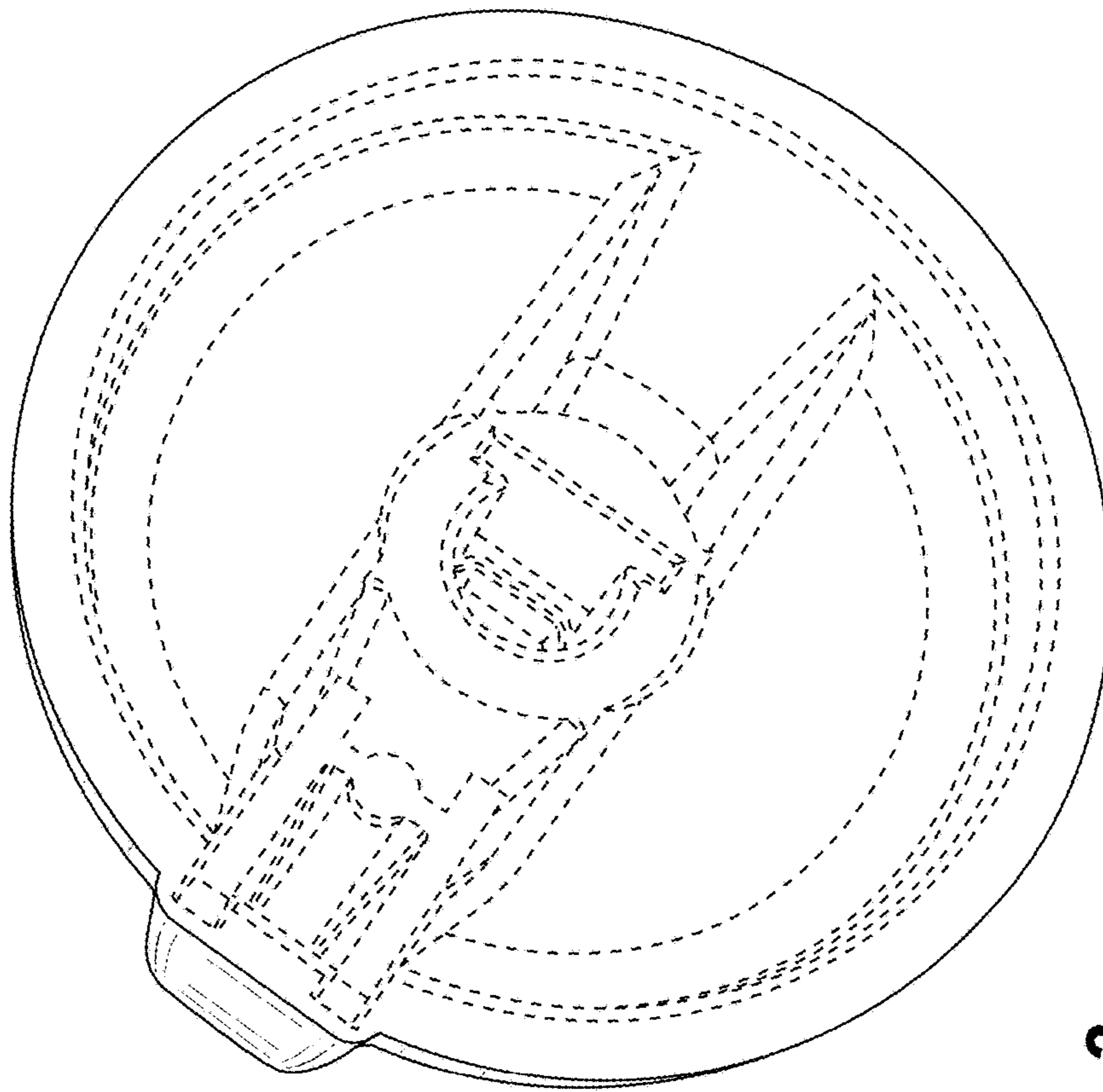


FIG. 3

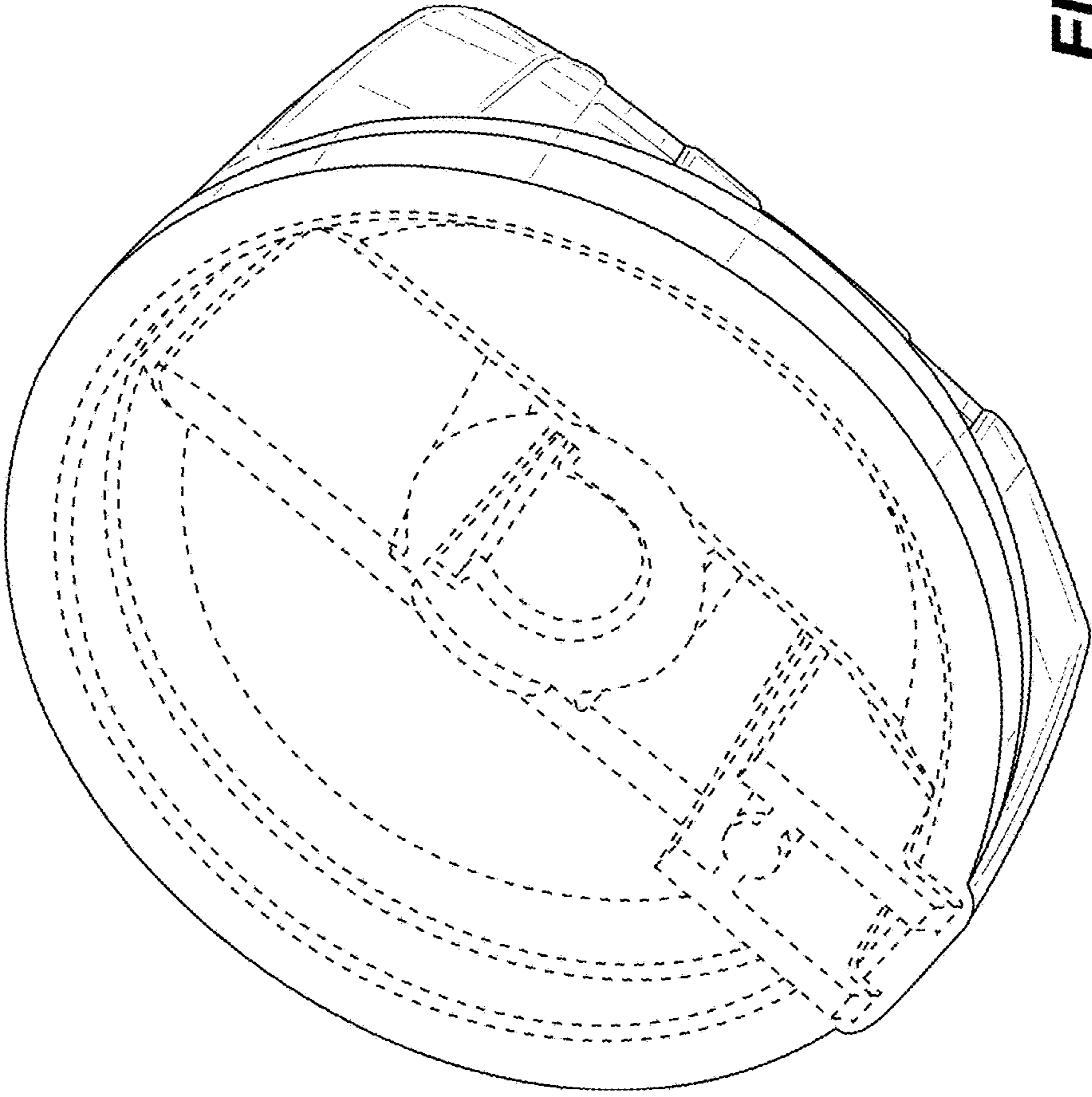


FIG. 4

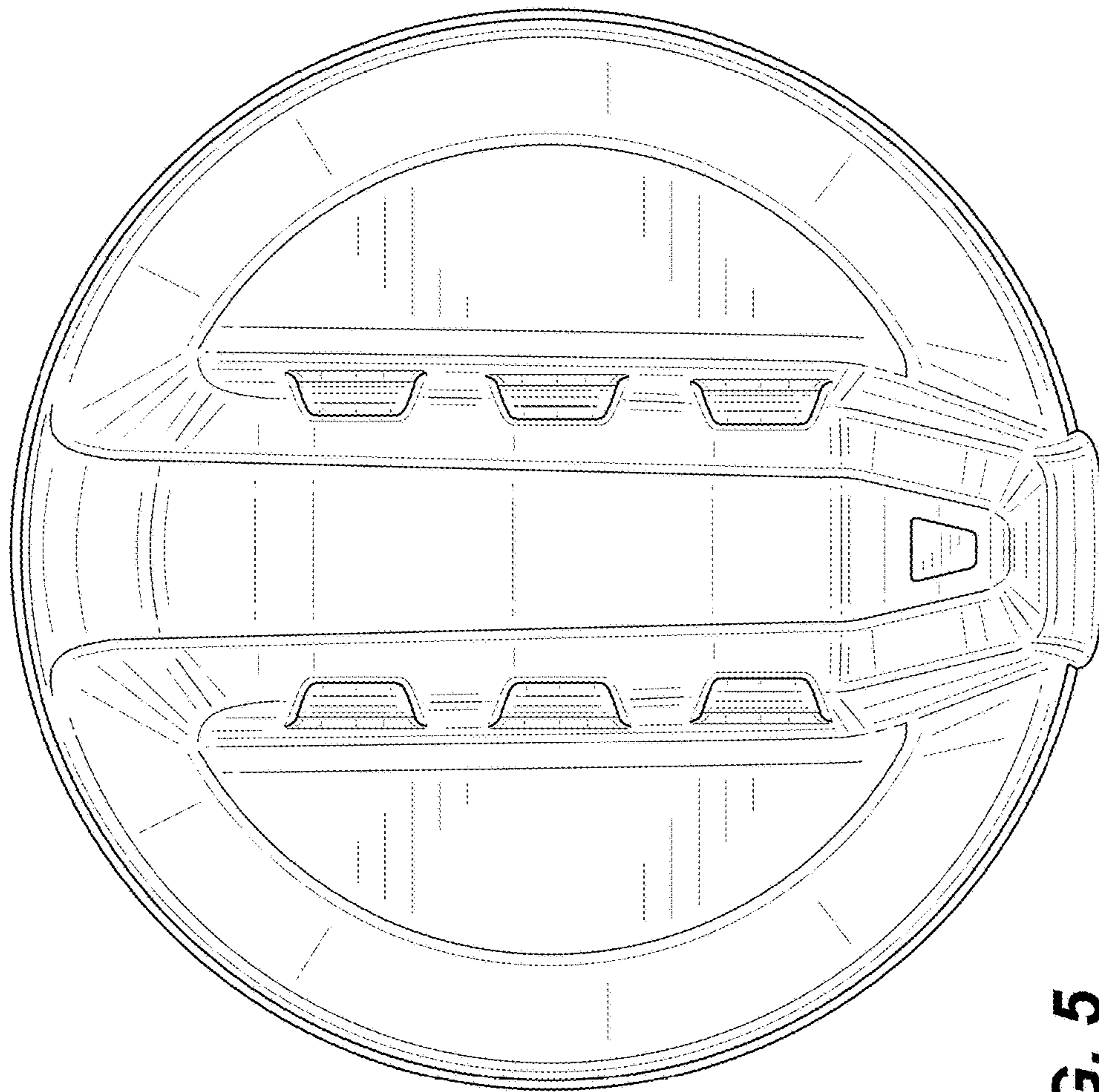


FIG. 5

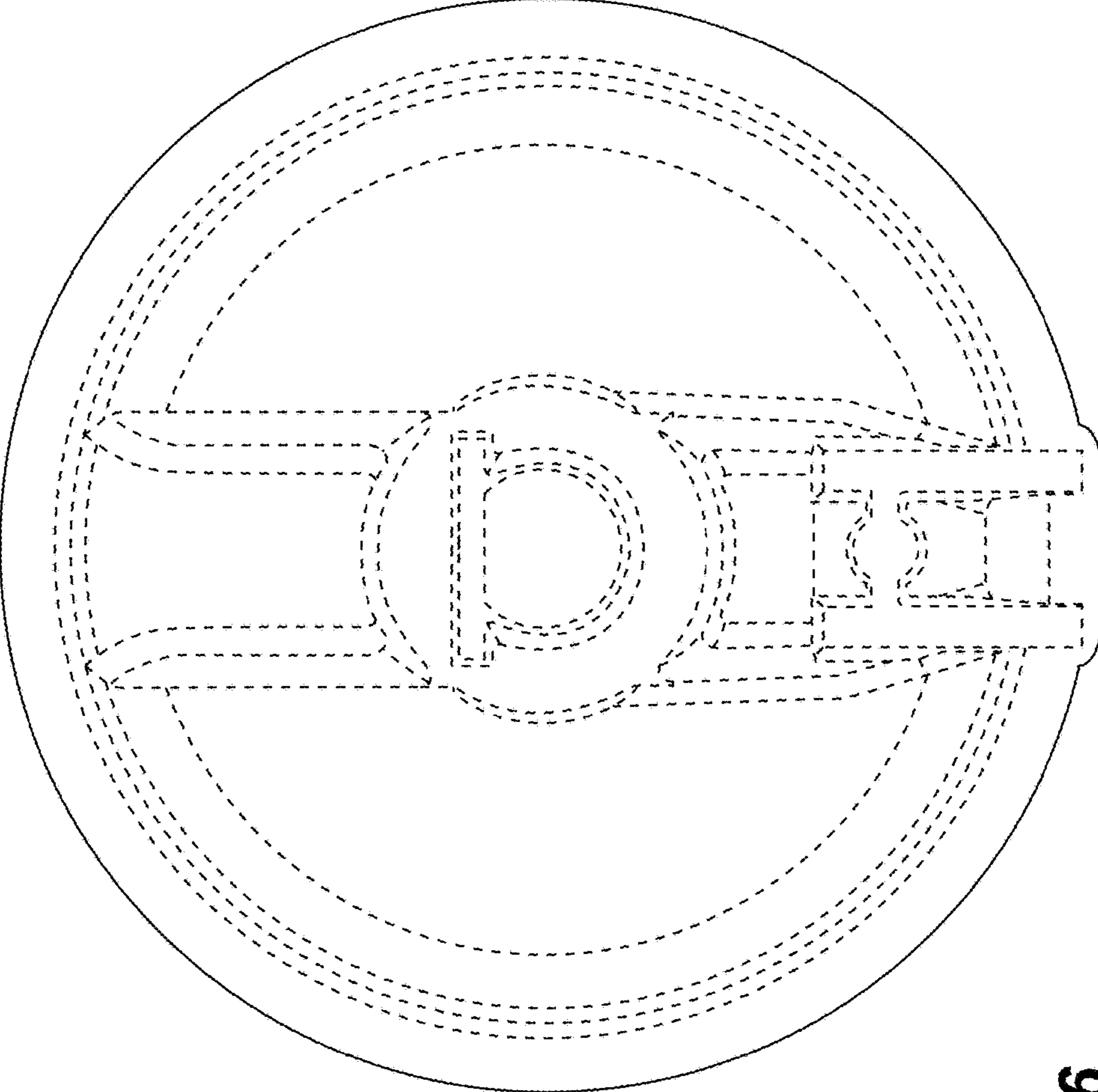


FIG. 6

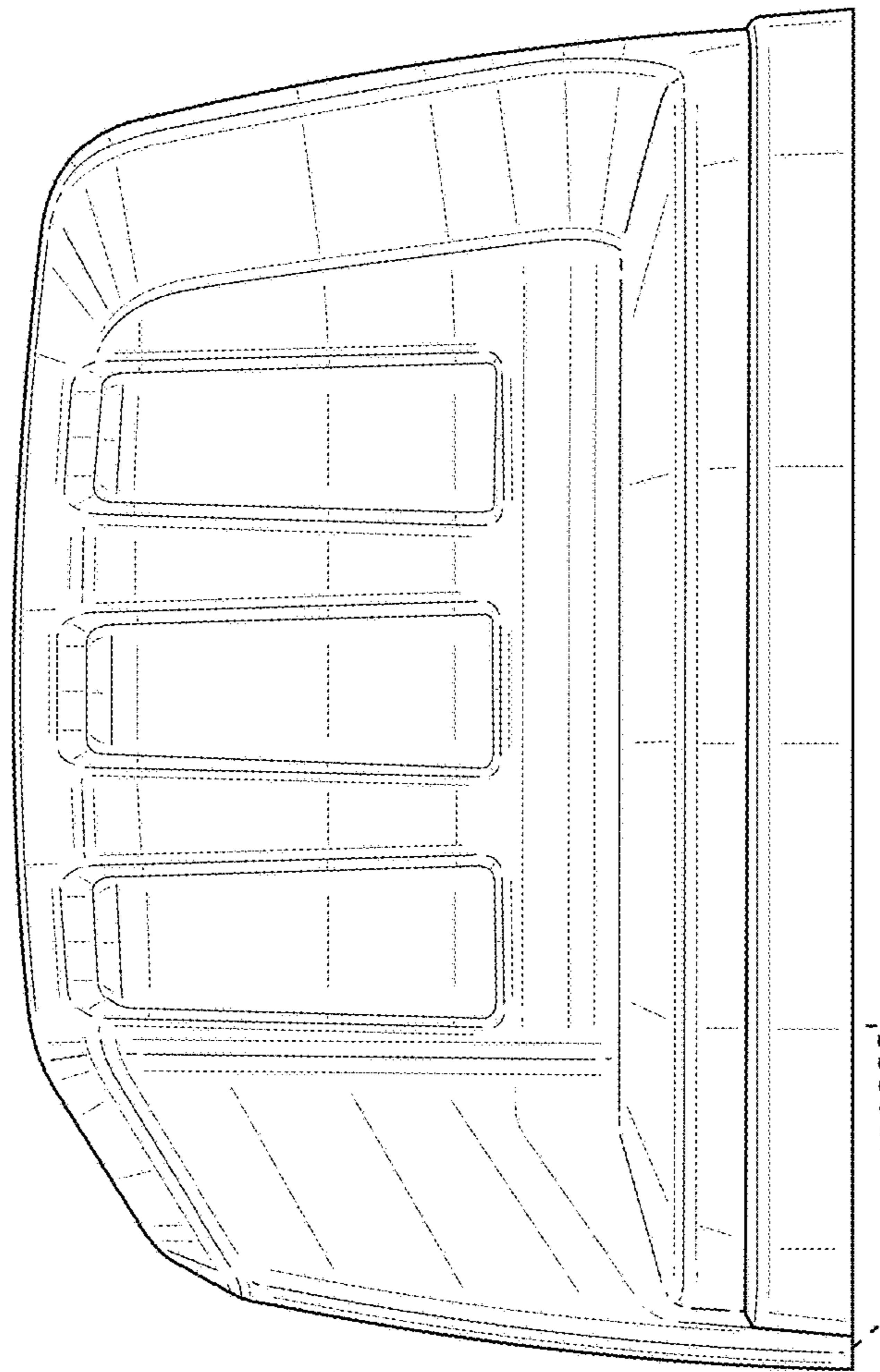


FIG. 7

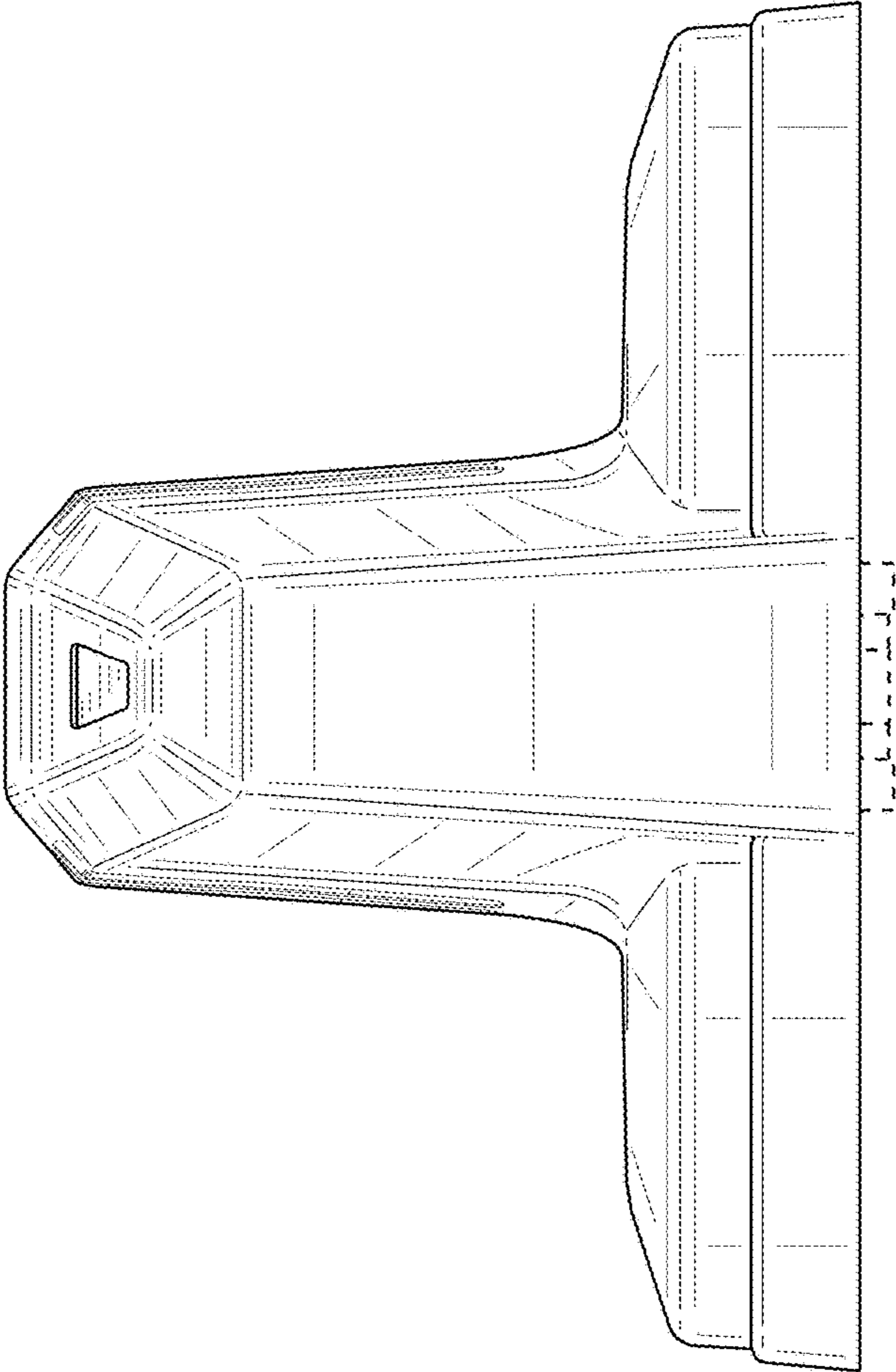


FIG. 8

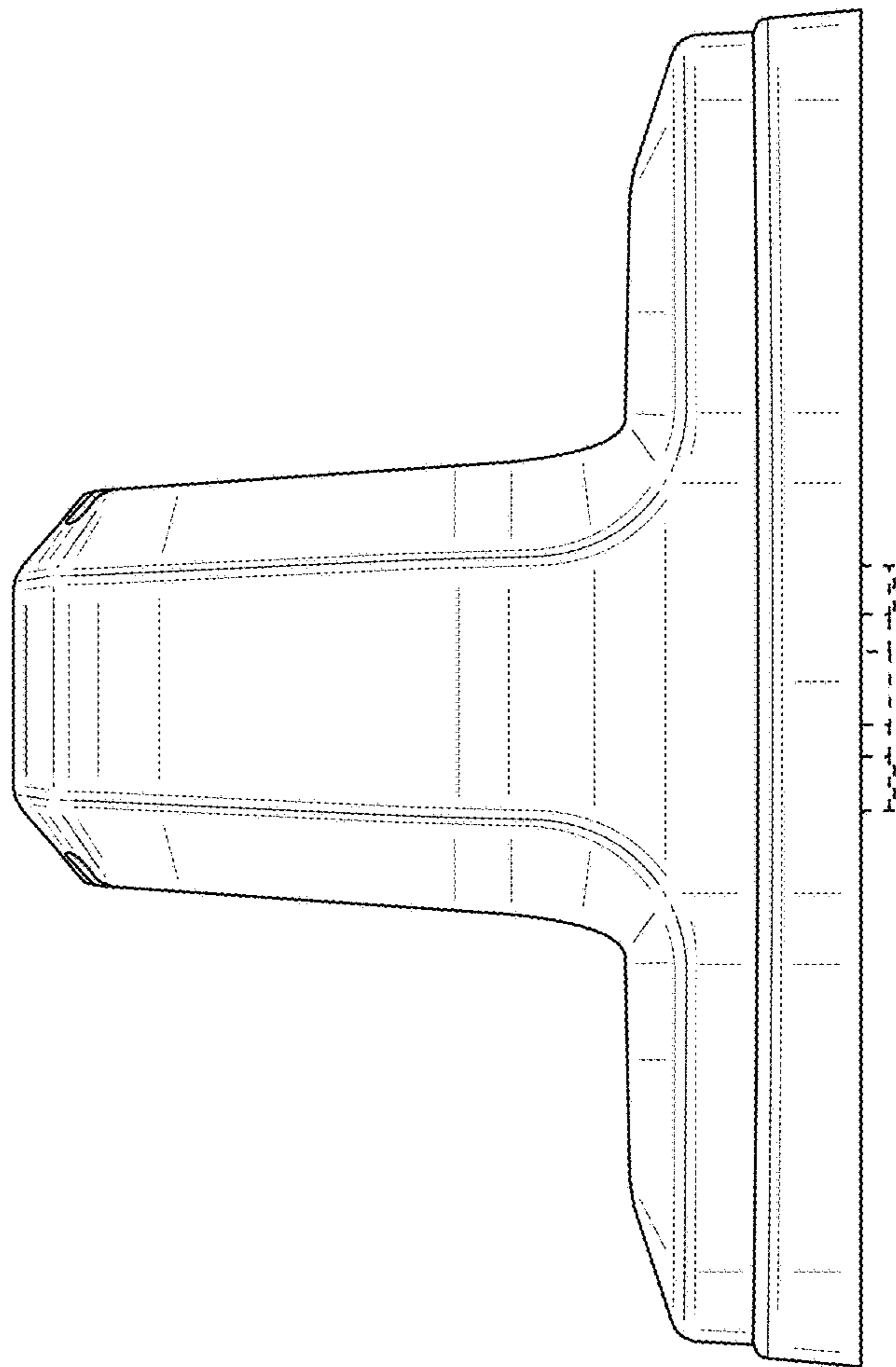


FIG. 9

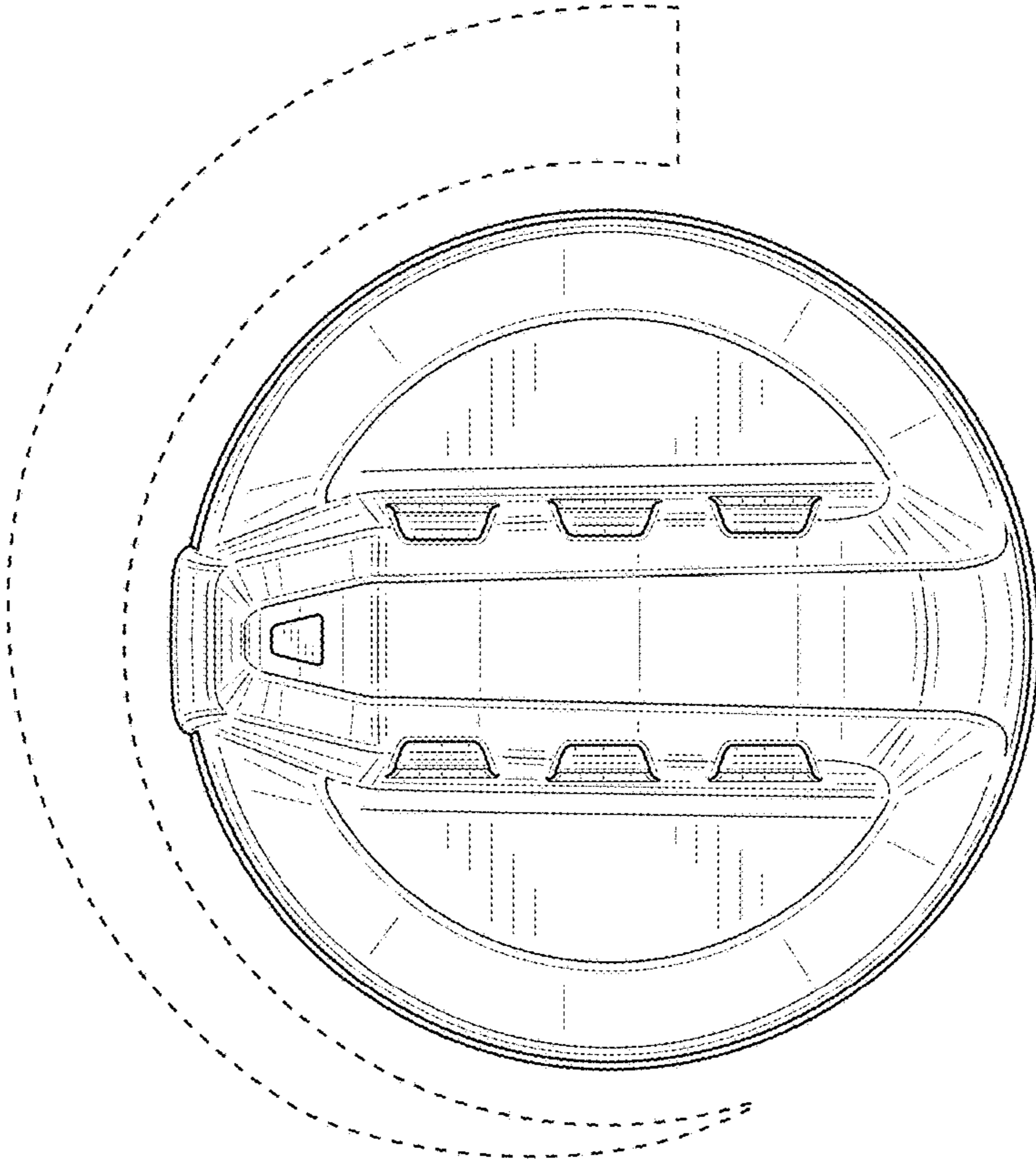


FIG. 10