



US00D845106S

(12) **United States Design Patent**
Bloch

(10) **Patent No.:** **US D845,106 S**

(45) **Date of Patent:** **** Apr. 9, 2019**

(54) **UTILITY KNIFE**

9,174,347 B2 * 11/2015 Hongquan B26B 1/08
D756,191 S * 5/2016 Horovitz D8/99
9,579,808 B2 * 2/2017 Scimone B26B 5/003

(71) Applicant: **Outdoor Edge Cutlery Corporation,**
Denver, CO (US)

FOREIGN PATENT DOCUMENTS

(72) Inventor: **David R. Bloch,** Morrison, CO (US)

AU	2006202953	7/2006
CA	2481333	6/2005
CN	201677334	12/2010
CN	102756384	10/2012
CN	102990680	3/2013
CN	102990681	3/2013
FR	2848138	6/2004
FR	2864463	7/2005
FR	2867716	9/2005
FR	2870152	11/2005
WO	2014000347	1/2014
WO	2014082447	6/2014

(73) Assignee: **Outdoor Edge Cutlery Corporation,**
Denver, CO (US)

(**) Term: **15 Years**

(21) Appl. No.: **29/621,907**

(22) Filed: **Oct. 12, 2017**

(51) **LOC (11) Cl.** **08-03**

(52) **U.S. Cl.**
USPC **D8/99**

(58) **Field of Classification Search**
USPC D8/14, 51, 98, 99, 100, 101, 105, 95;
D22/118
CPC B26B 1/00; B26B 1/08; B26B 1/10; B26B
5/001; B26B 5/002; B26B 5/003; B26B
5/005; B26B 5/006
See application file for complete search history.

* cited by examiner

Primary Examiner — Philip S Hyder

(74) *Attorney, Agent, or Firm* — Lewis Brisbois Bisgaard
& Smith LLP; Craig W. Mueller

(57) **CLAIM**

The ornamental design for a utility knife, as shown and described.

DESCRIPTION

FIG. 1 is a front perspective view of the utility knife showing the new design;

FIG. 2 is a front elevation view thereof;

FIG. 3 is a rear elevation view thereof;

FIG. 4 is a right elevation view thereof;

FIG. 5 is a left elevation view thereof;

FIG. 6 is a top plan view thereof; and,

FIG. 7 is a bottom plan view thereof.

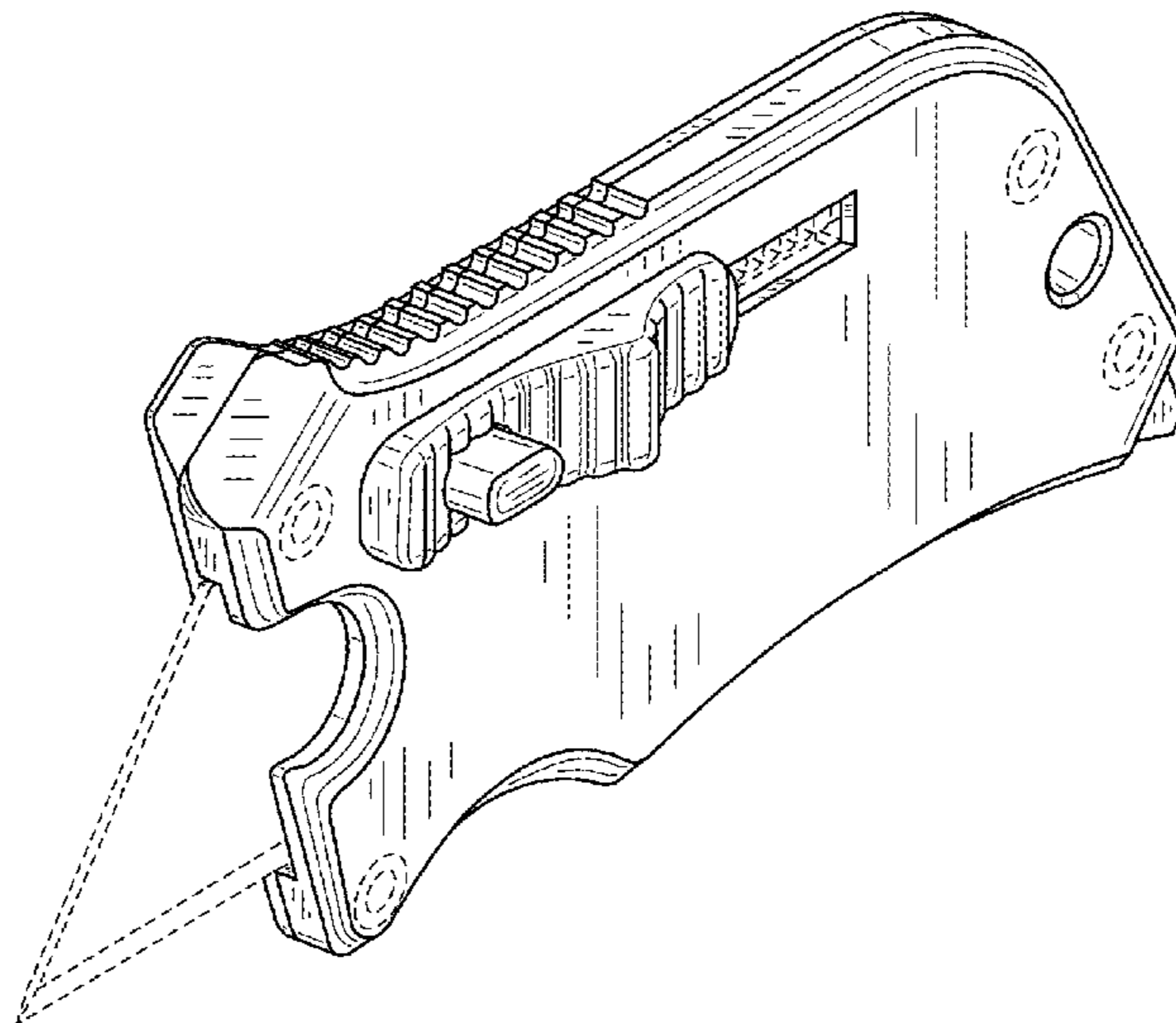
The broken line showing of is for the purpose of illustrating environment and forms no part of the claimed design.

(56) **References Cited**

U.S. PATENT DOCUMENTS

D230,823 S *	3/1974	Gluck	D8/99
3,906,627 A	9/1975	Manning		
4,281,458 A *	8/1981	Okada	B26B 5/001 30/162
D288,898 S *	3/1987	Osterhout	D8/99
D355,106 S *	2/1995	Yoshimoto	D8/99
5,813,121 A	9/1998	Gringer		
D447,400 S *	9/2001	Okada	D8/98
D540,138 S *	4/2007	Kan	D8/99
9,050,729 B2 *	6/2015	Hao	B26B 5/001

1 Claim, 4 Drawing Sheets



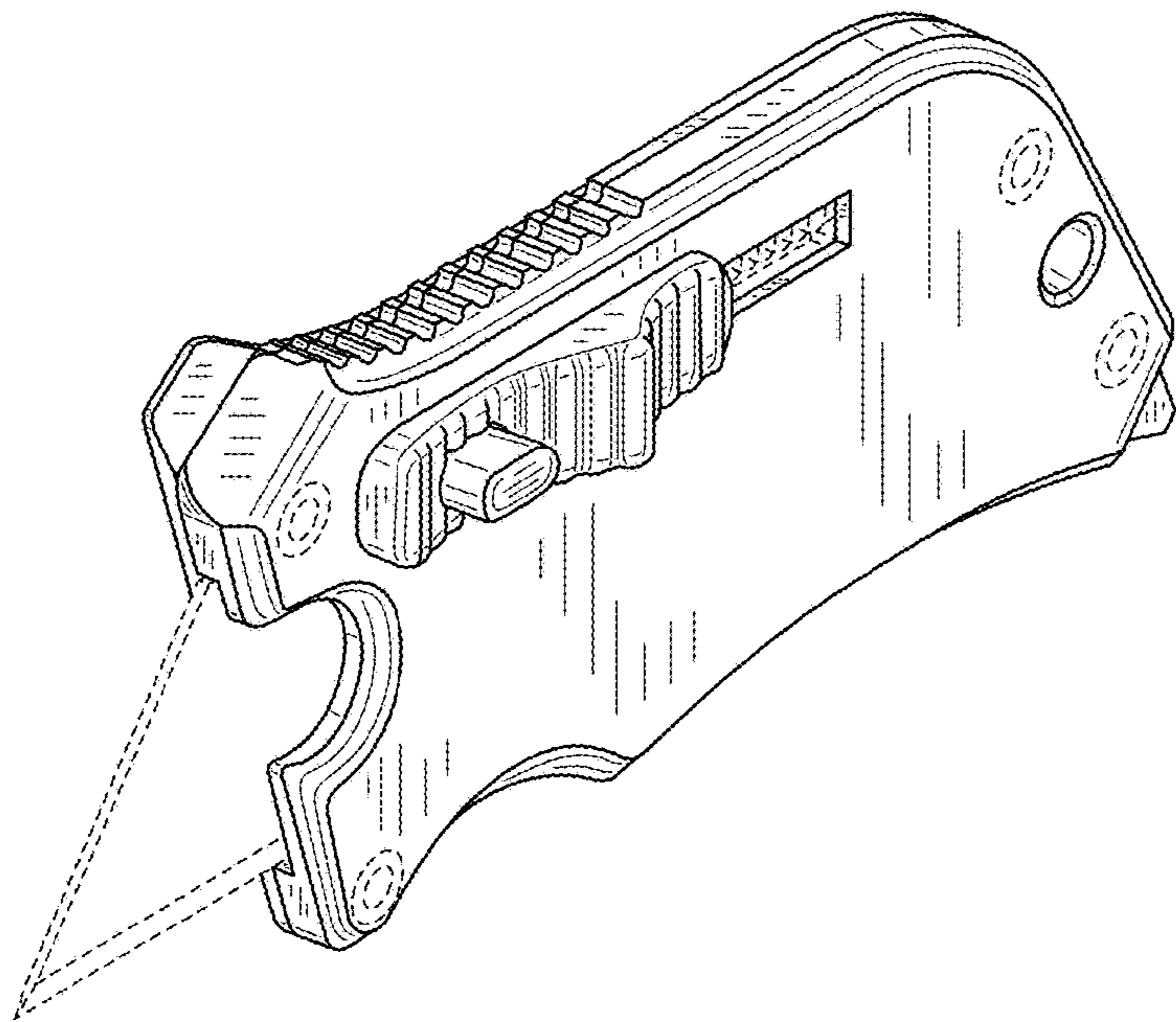


FIG.1

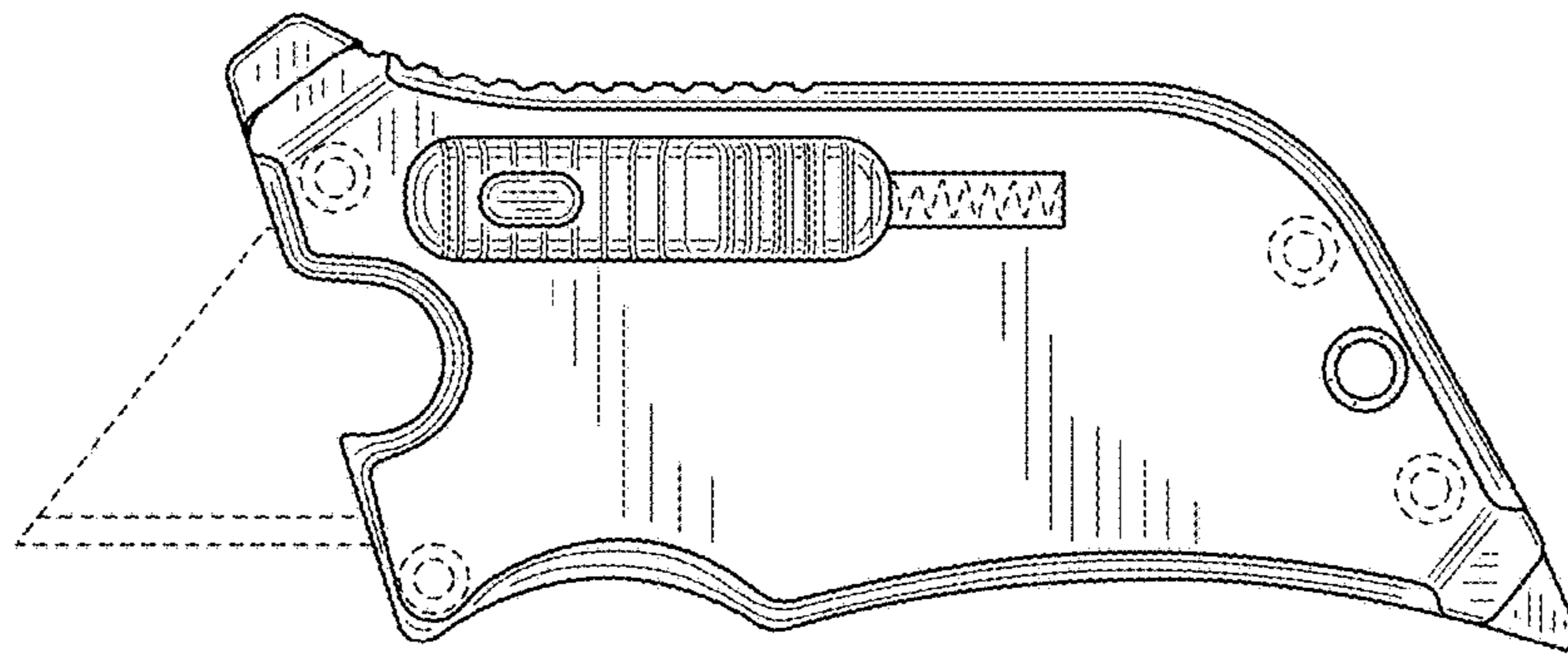


FIG.2

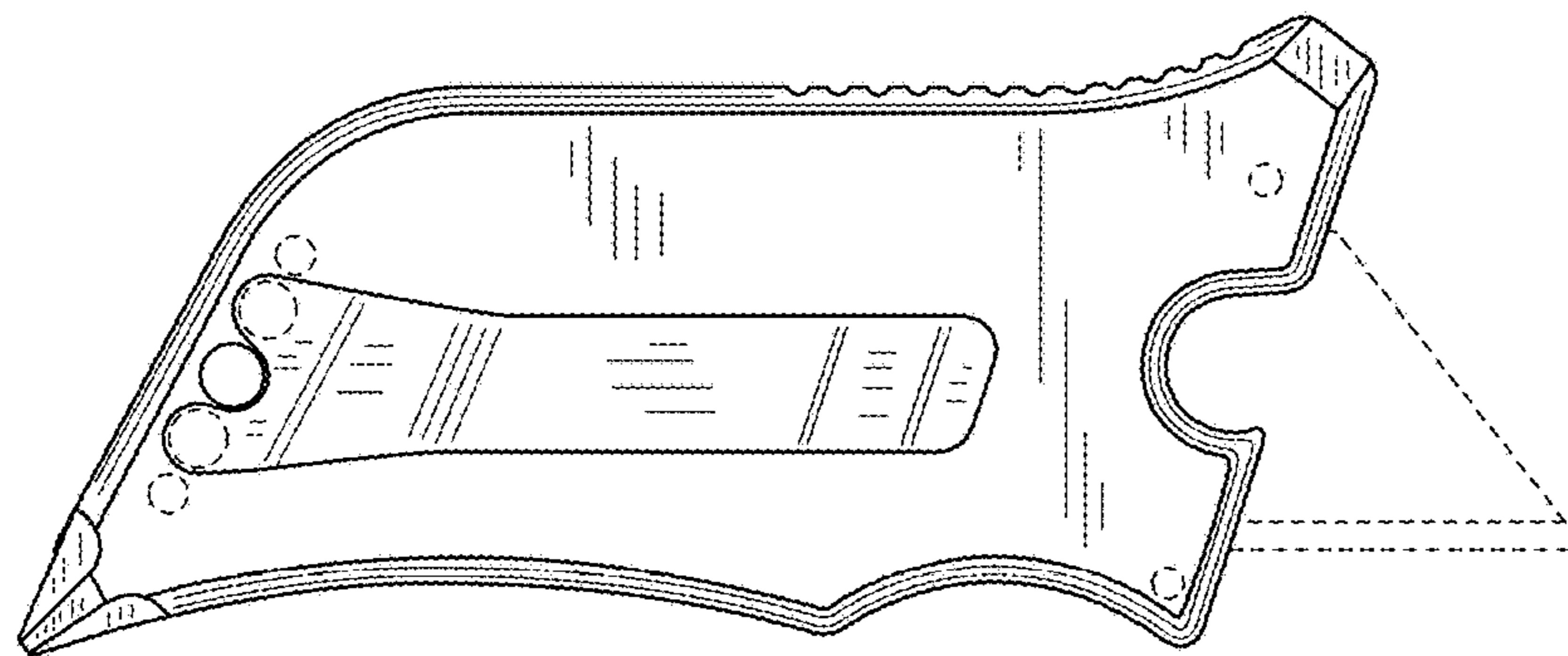


FIG.3

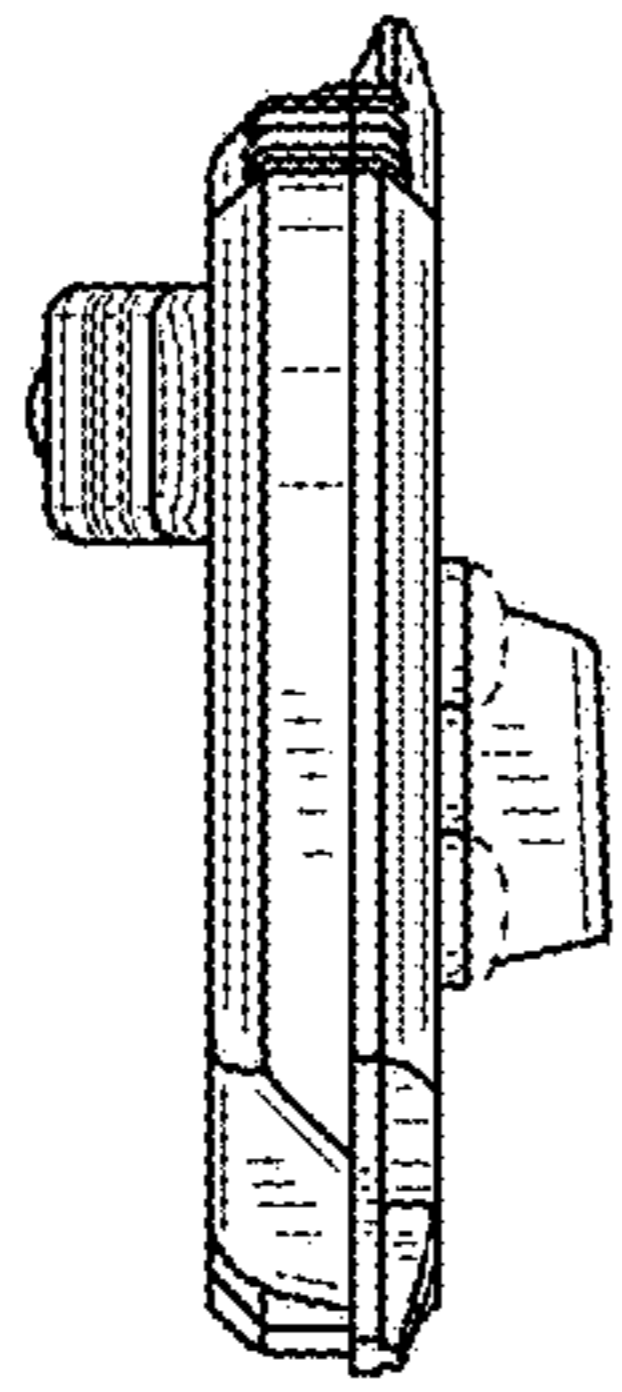


FIG.4

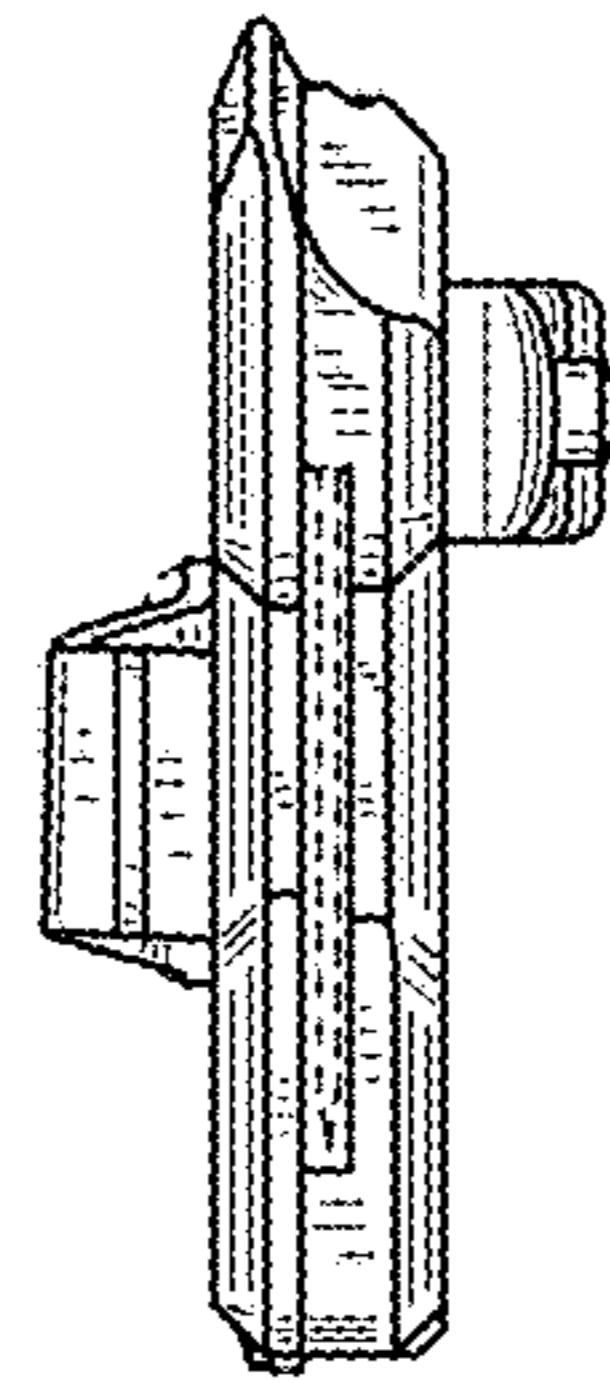


FIG.5

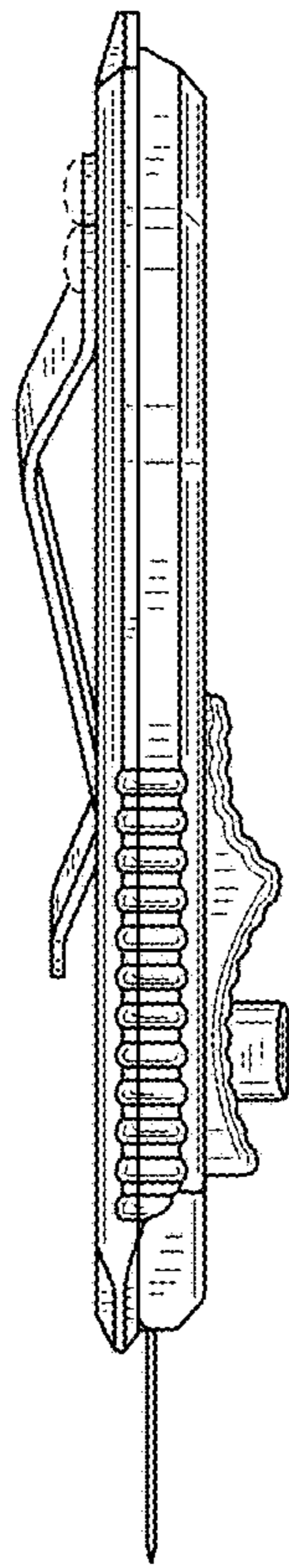


FIG. 6

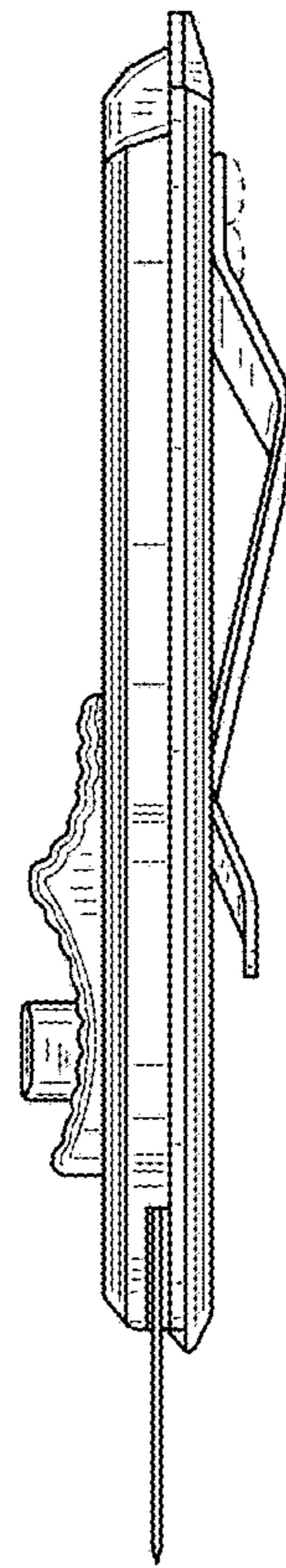


FIG. 7