



US00D845102S

(12) **United States Design Patent**
Hofer

(10) **Patent No.:** **US D845,102 S**

(45) **Date of Patent:** **** Apr. 9, 2019**

- (54) **SCREWDRIVER**
- (71) Applicant: **Hofer Hofer Ltd.**, Kitchener (CA)
- (72) Inventor: **Joseph Hofer**, Kitchener (CA)
- (73) Assignee: **Hofer Hofer Ltd.**, Kitchener (CA)
- (**) Term: **15 Years**
- (21) Appl. No.: **29/611,421**
- (22) Filed: **Jul. 21, 2017**
- (51) **LOC (11) Cl.** **08-04**
- (52) **U.S. Cl.**
USPC **D8/85**
- (58) **Field of Classification Search**
USPC D8/82, 83, 84, 85, 86, 87, 105, 107, 300
CPC B25G 1/08; B25G 1/085; B25B 15/00;
B25B 15/02; B25B 15/04; B25B 15/06
See application file for complete search history.

- D672,953 S * 12/2012 Lin D3/274
- 8,833,214 B2 * 9/2014 Wang B25G 1/085
81/177.4
- 9,174,334 B2 * 11/2015 Chen B25B 15/02
- D797,539 S * 9/2017 Lipscomb D8/99
- D819,417 S * 6/2018 Graykowski D8/47

* cited by examiner

Primary Examiner — Philip S Hyder

(74) *Attorney, Agent, or Firm* — Own Innovation; James W. Hinton

(56) **References Cited**

U.S. PATENT DOCUMENTS

- 5,437,212 A * 8/1995 Thompson B25B 13/463
81/63.1
- D421,888 S * 3/2000 Thompson D8/83
- D442,050 S * 5/2001 Hung D8/107
- 6,543,315 B2 * 4/2003 Huang B25B 13/463
192/43.2
- 7,051,626 B1 * 5/2006 Chen B25G 1/085
403/290
- 7,182,002 B2 * 2/2007 Hu B25G 1/08
7/165
- 7,281,455 B2 * 10/2007 Hu B25G 1/085
81/177.4
- D573,862 S * 7/2008 Kao D8/83
- D622,206 S * 8/2010 Gall D12/345
- 7,950,311 B2 * 5/2011 Chen B25G 1/085
81/177.4

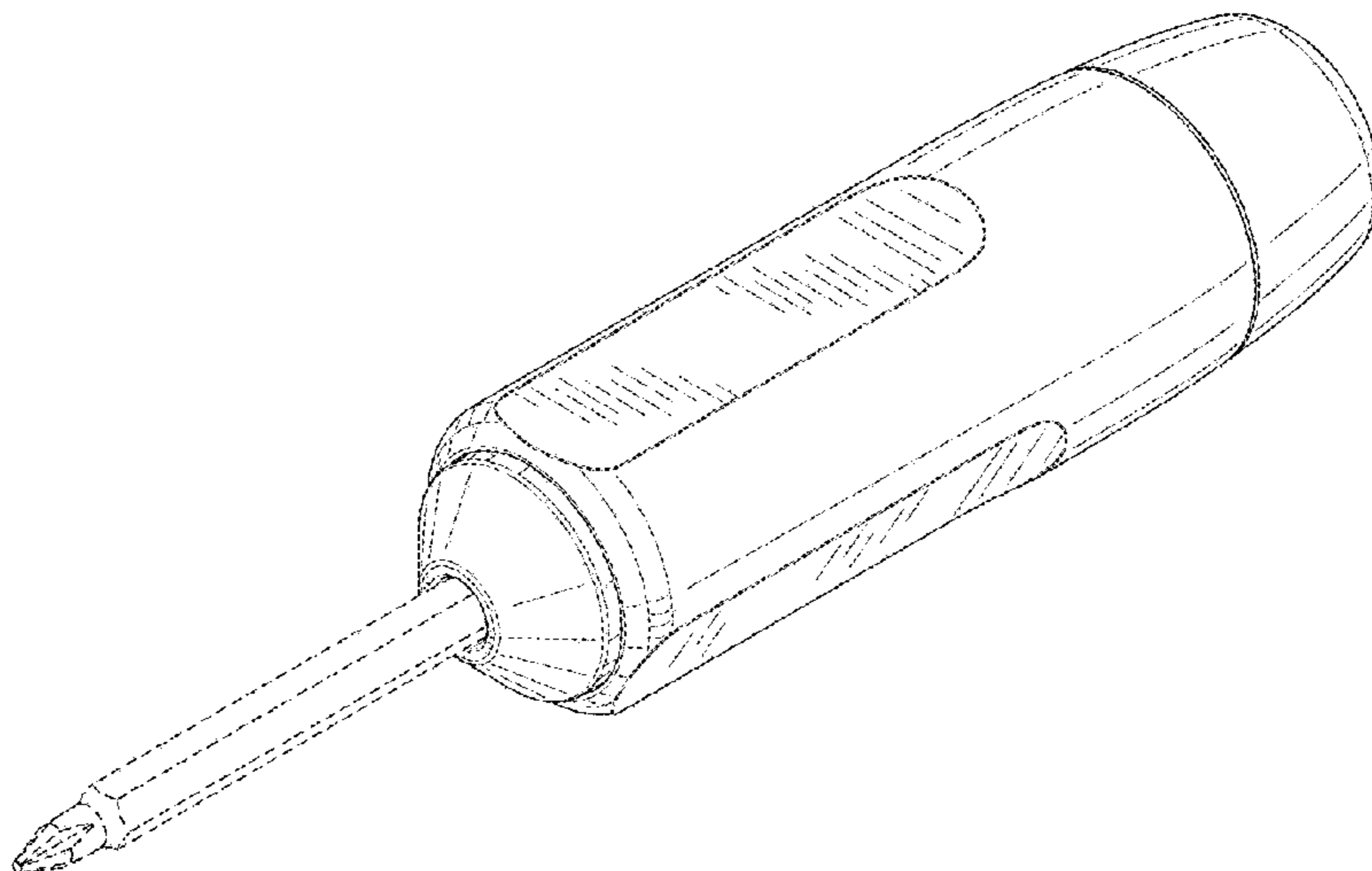
(57) **CLAIM**

The ornamental design for a screwdriver, as shown and described.

DESCRIPTION

FIG. 1 is a perspective view of a screwdriver made in accordance with the subject design;
 FIG. 2 is a front perspective view thereof;
 FIG. 3 is a rear perspective view thereof;
 FIG. 4 is a front elevation view thereof;
 FIG. 5 is a left side elevation view thereof;
 FIG. 6 is a rear elevation view thereof;
 FIG. 7 is a top view thereof;
 FIG. 8 is a bottom view thereof;
 FIG. 9 is a front perspective view thereof with an end cap removed;
 FIG. 10 is a rear perspective view thereof with the end cap removed; and,
 FIG. 11 is a rear perspective view with an end cap removed in a variant thereof.
 The broken lines showing the remainder of the screwdriver are included for environmental purposes only and form no part of the claimed design.

1 Claim, 4 Drawing Sheets



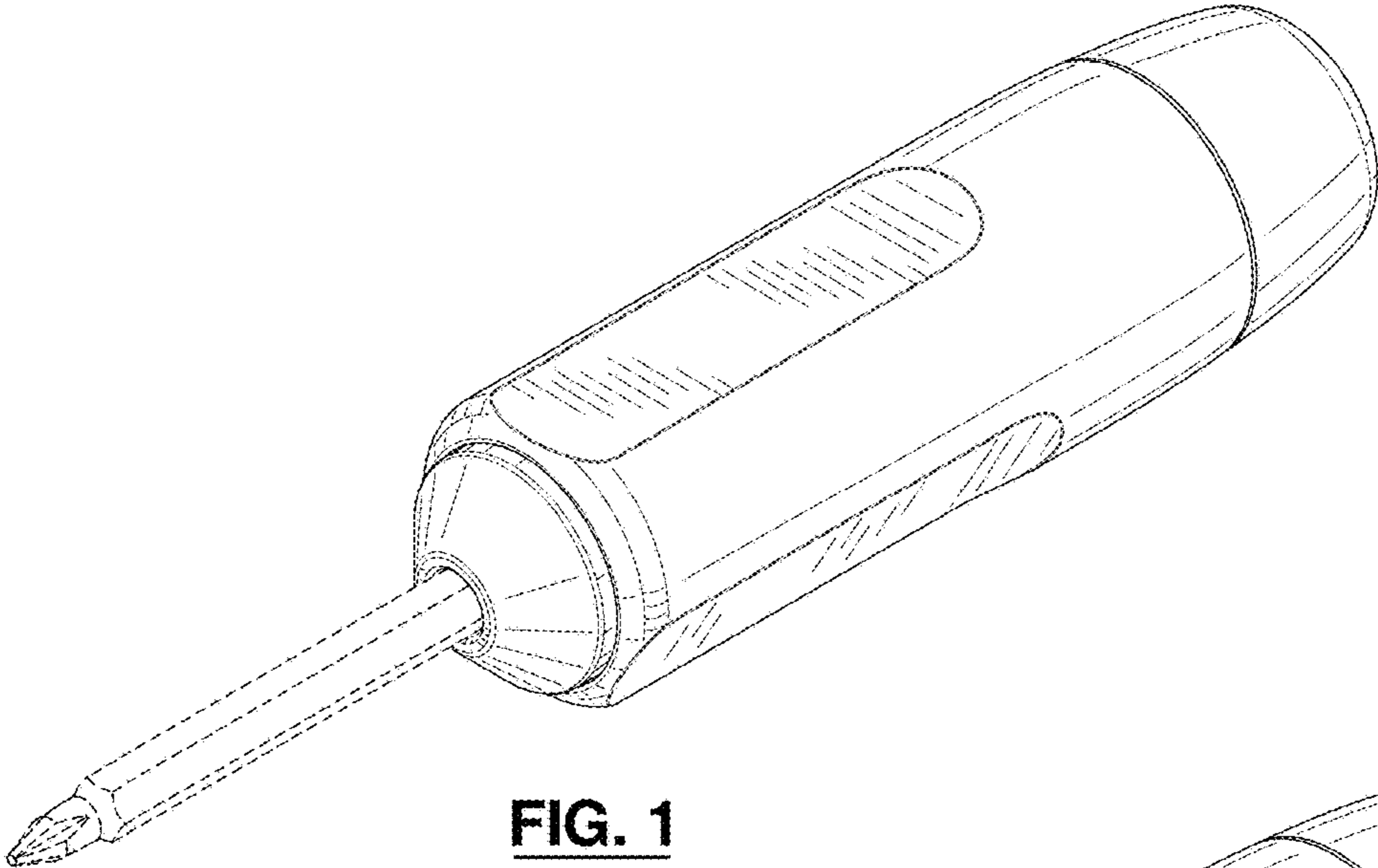


FIG. 1

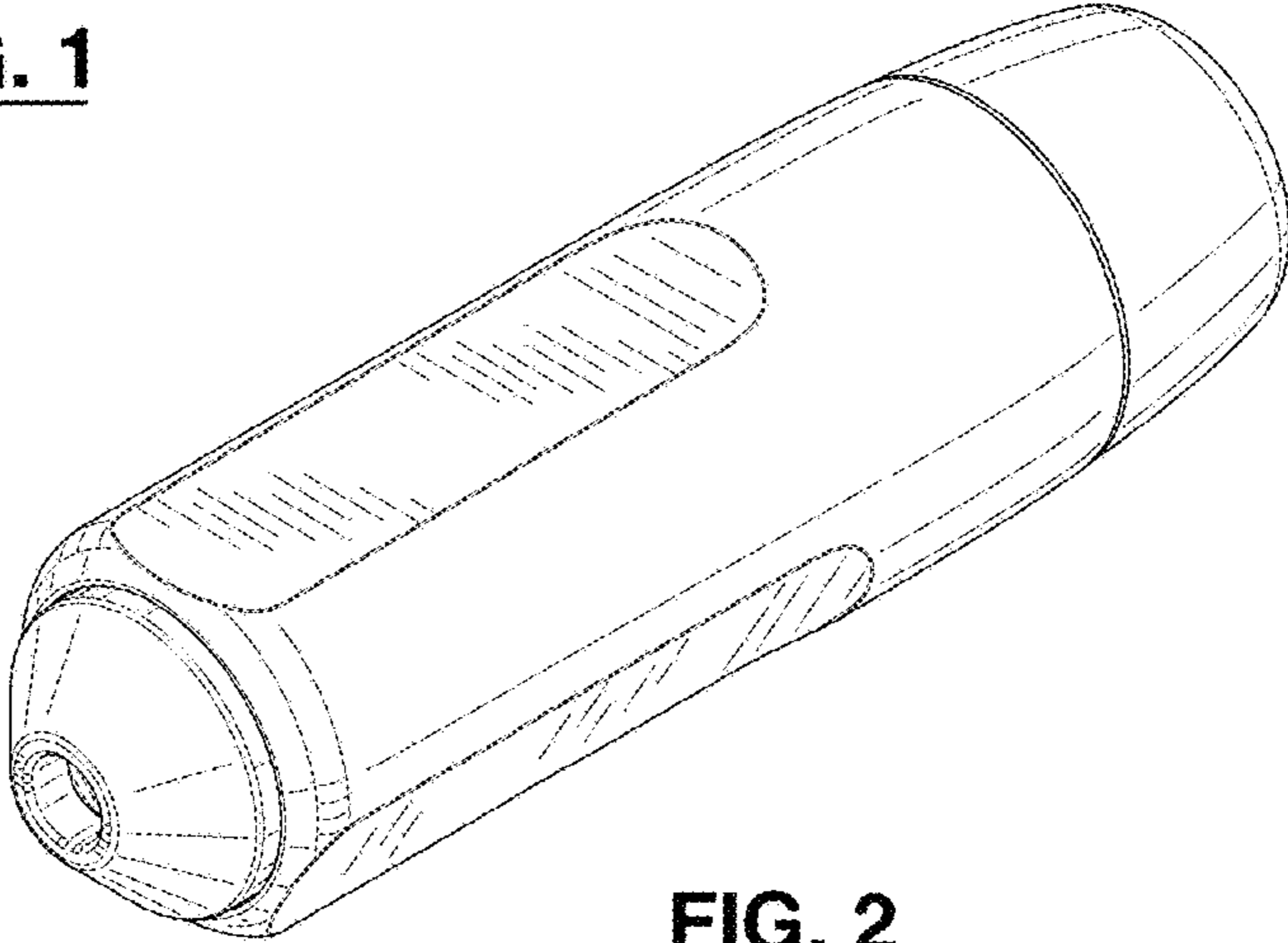


FIG. 2

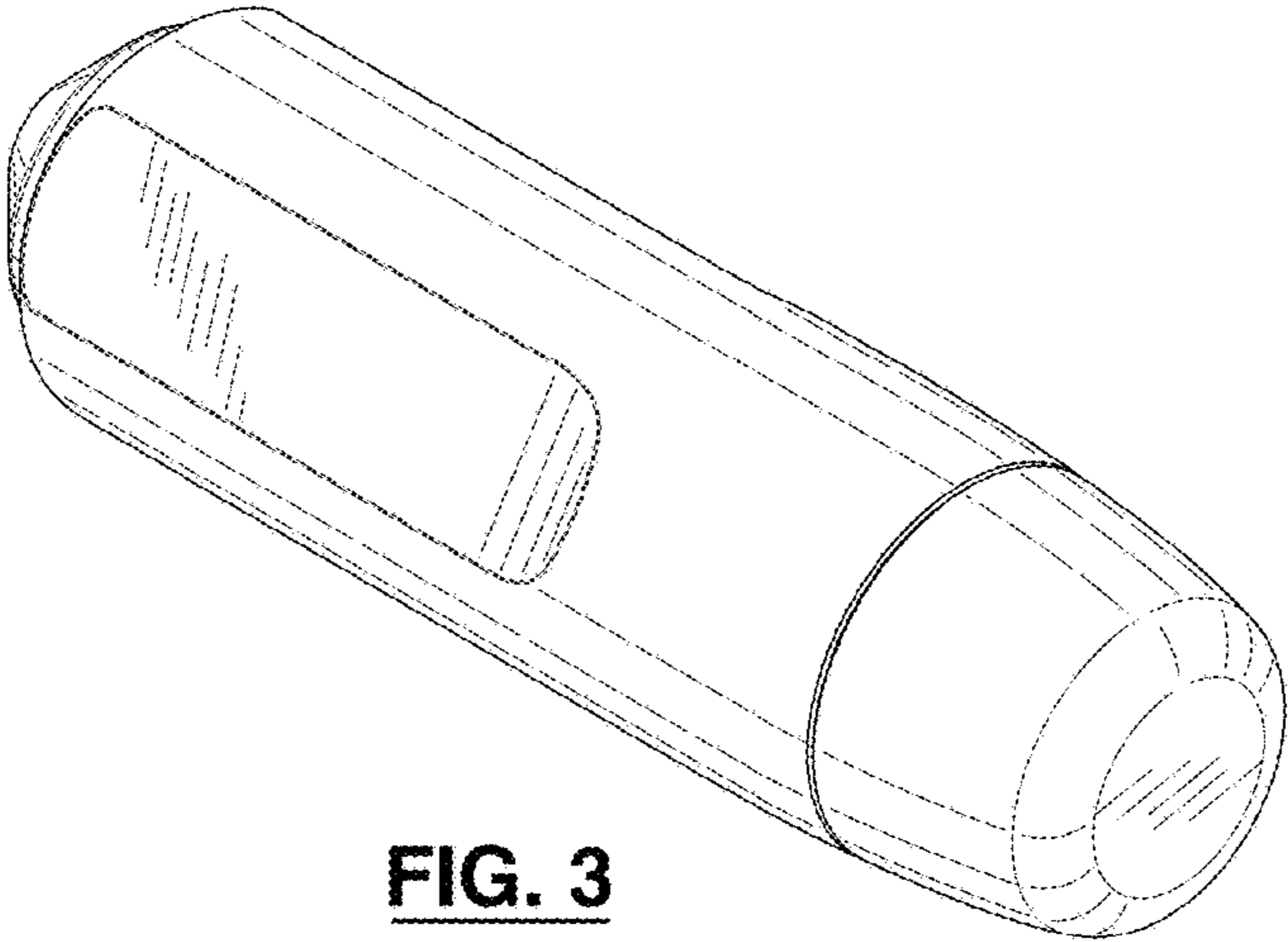


FIG. 3

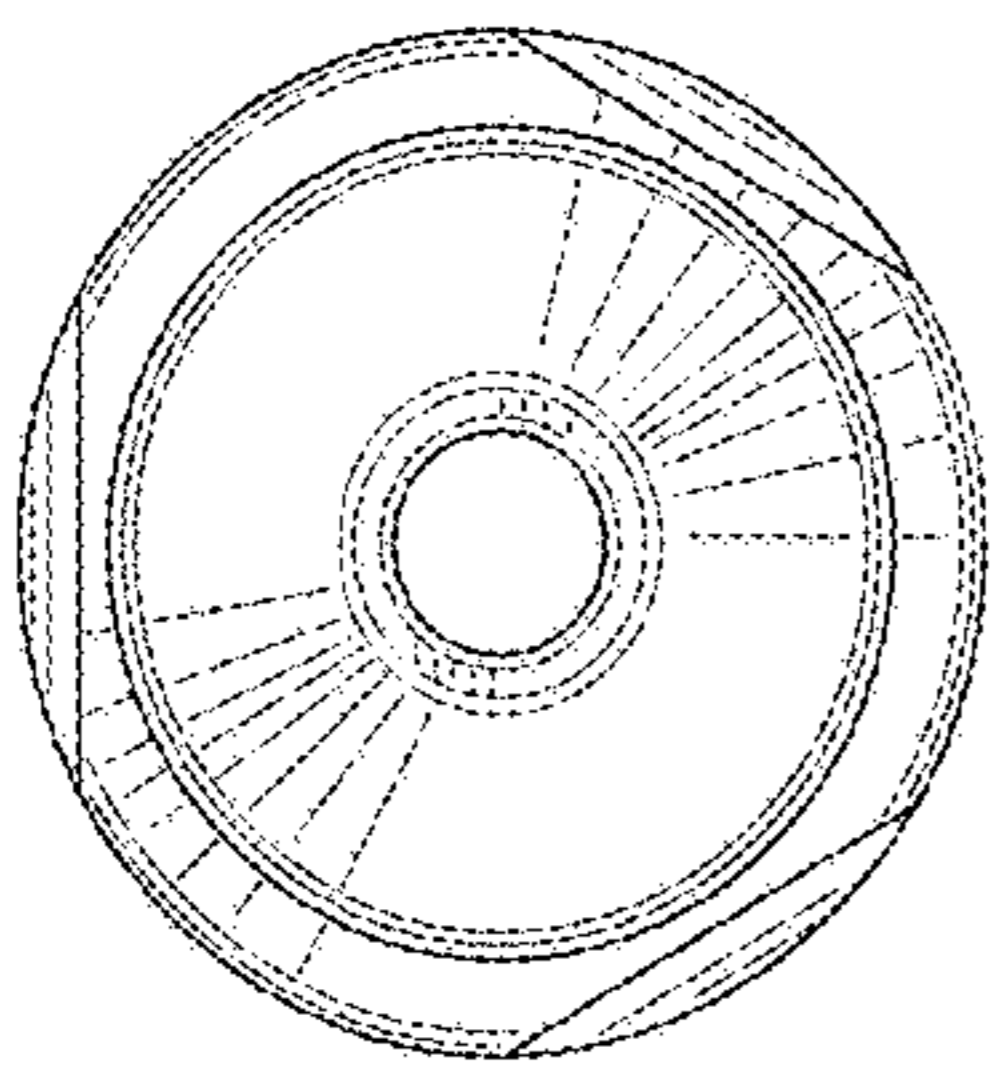


FIG. 4

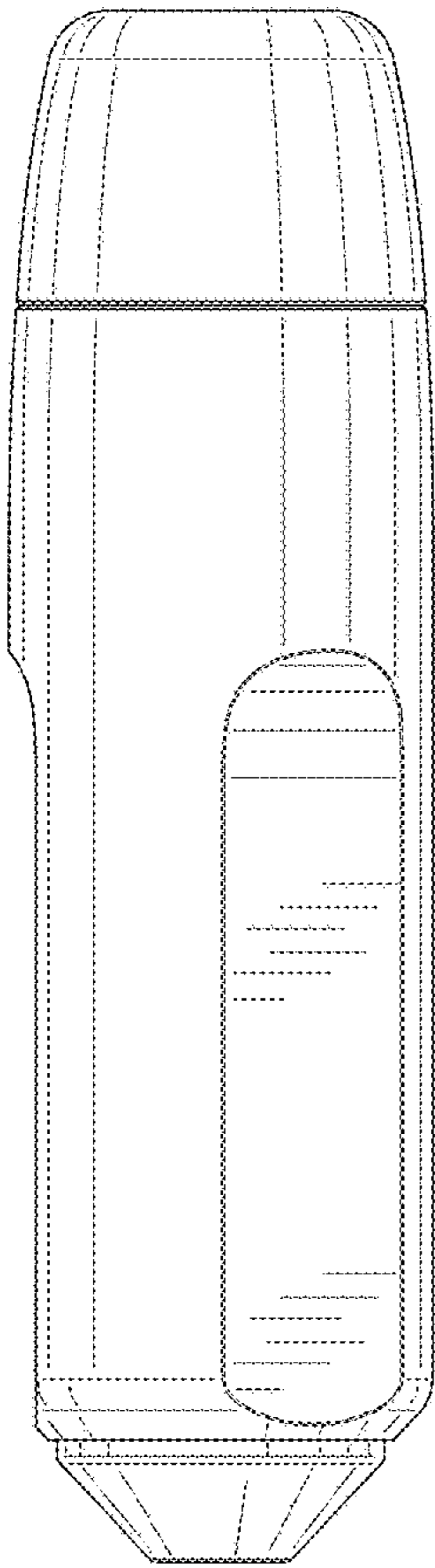


FIG. 5

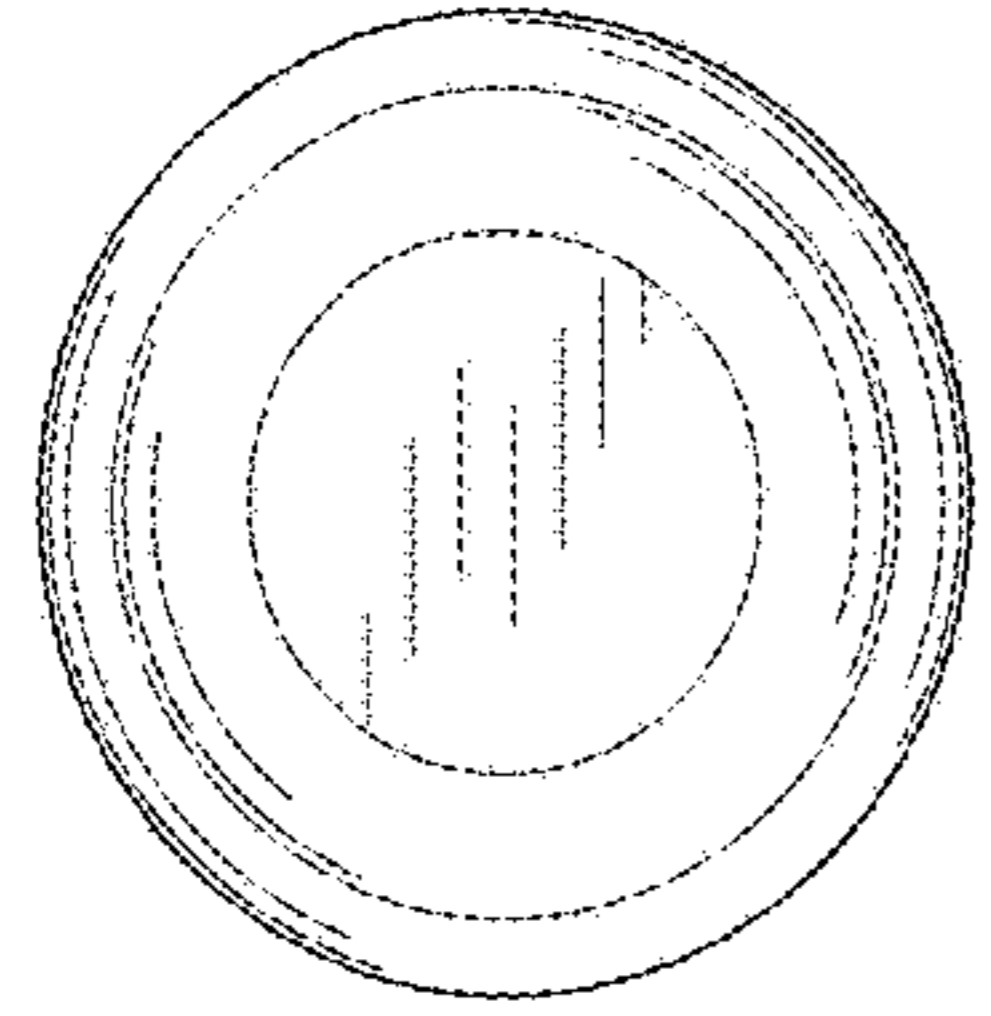


FIG. 6

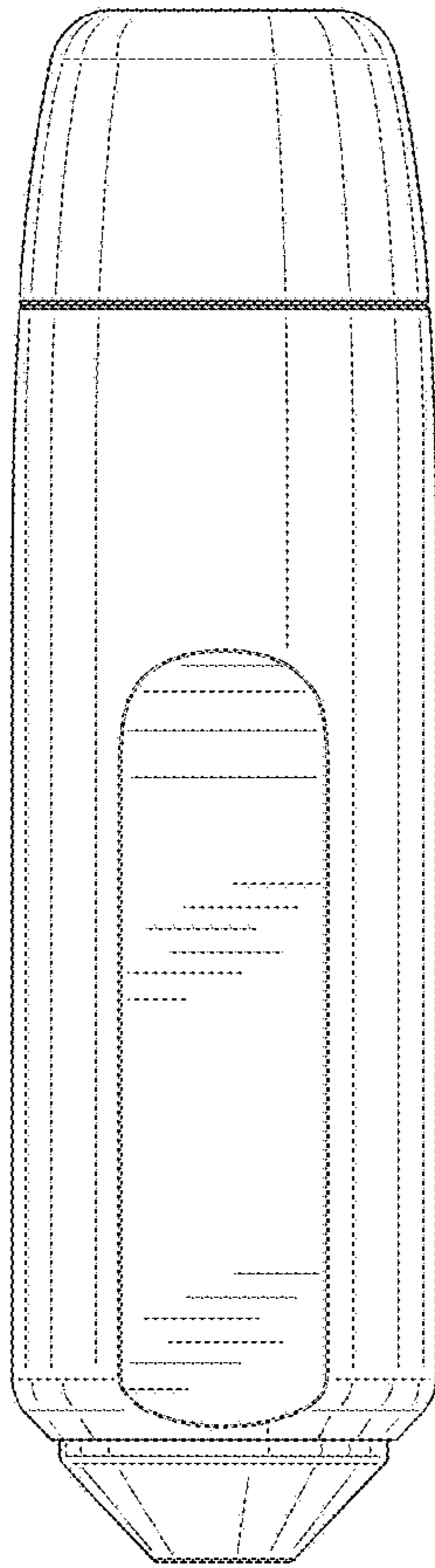


FIG. 7

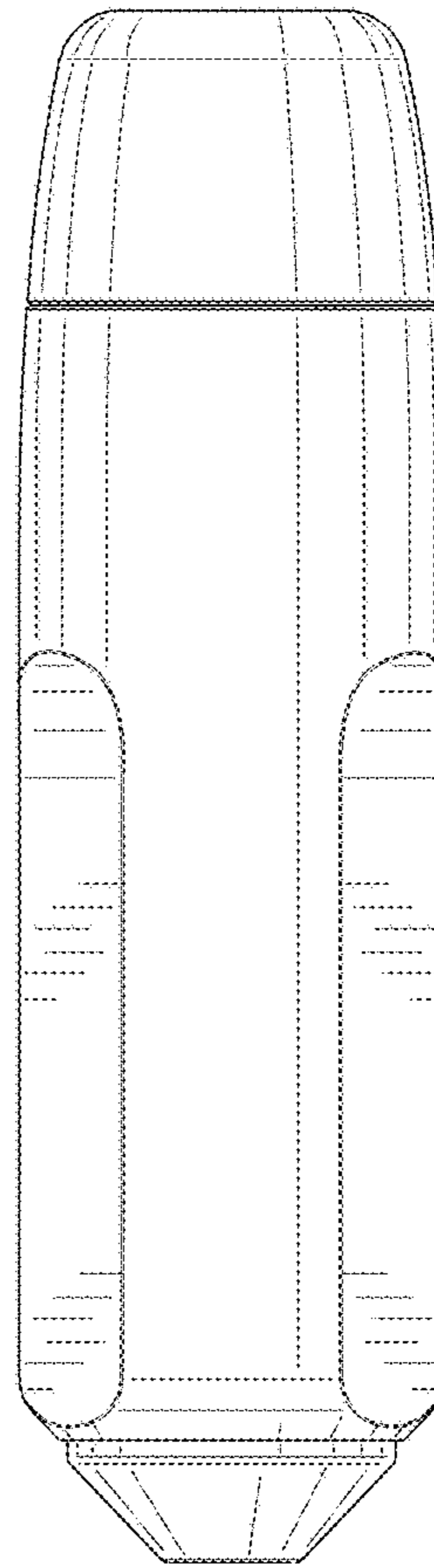


FIG. 8

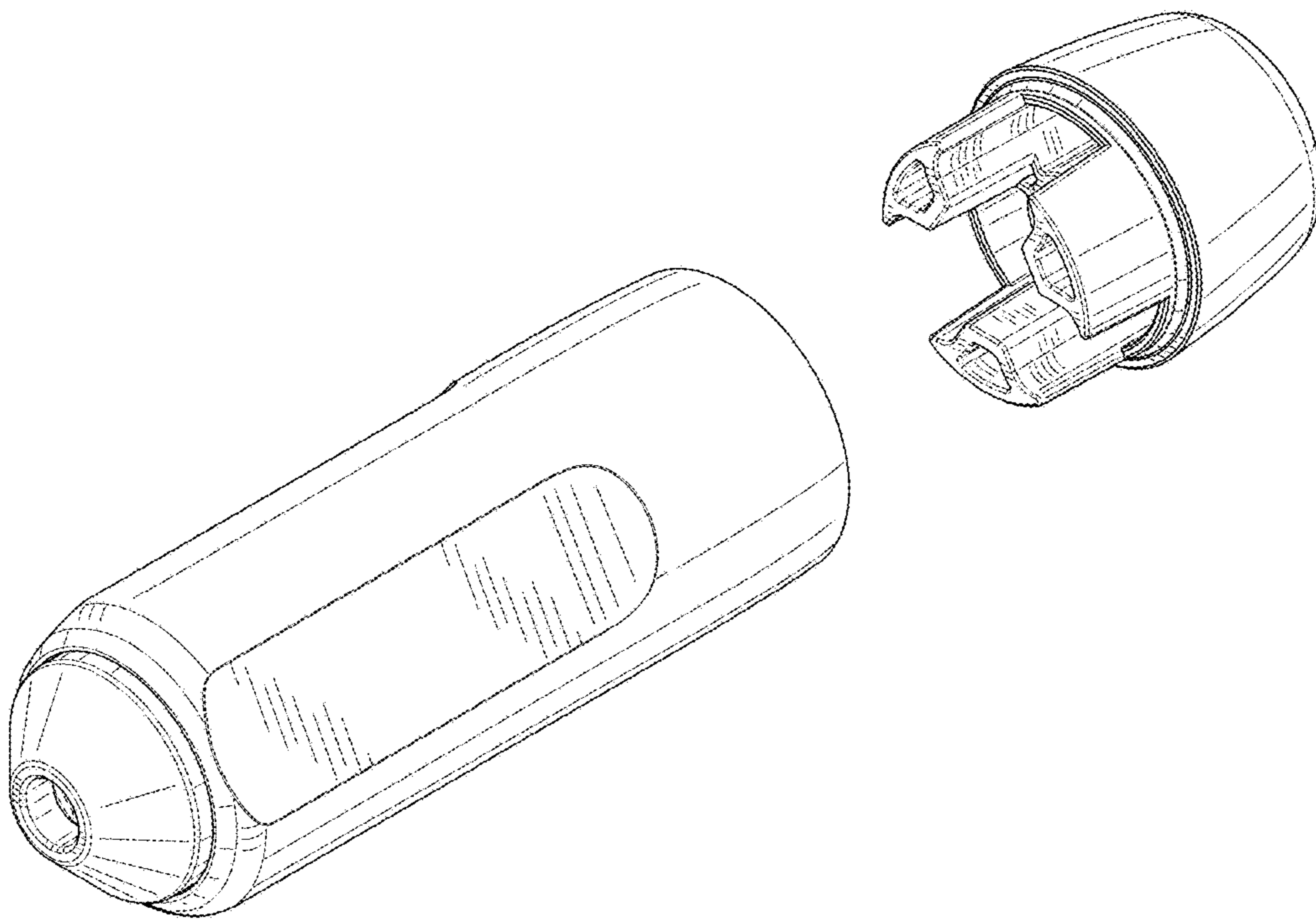


FIG. 9

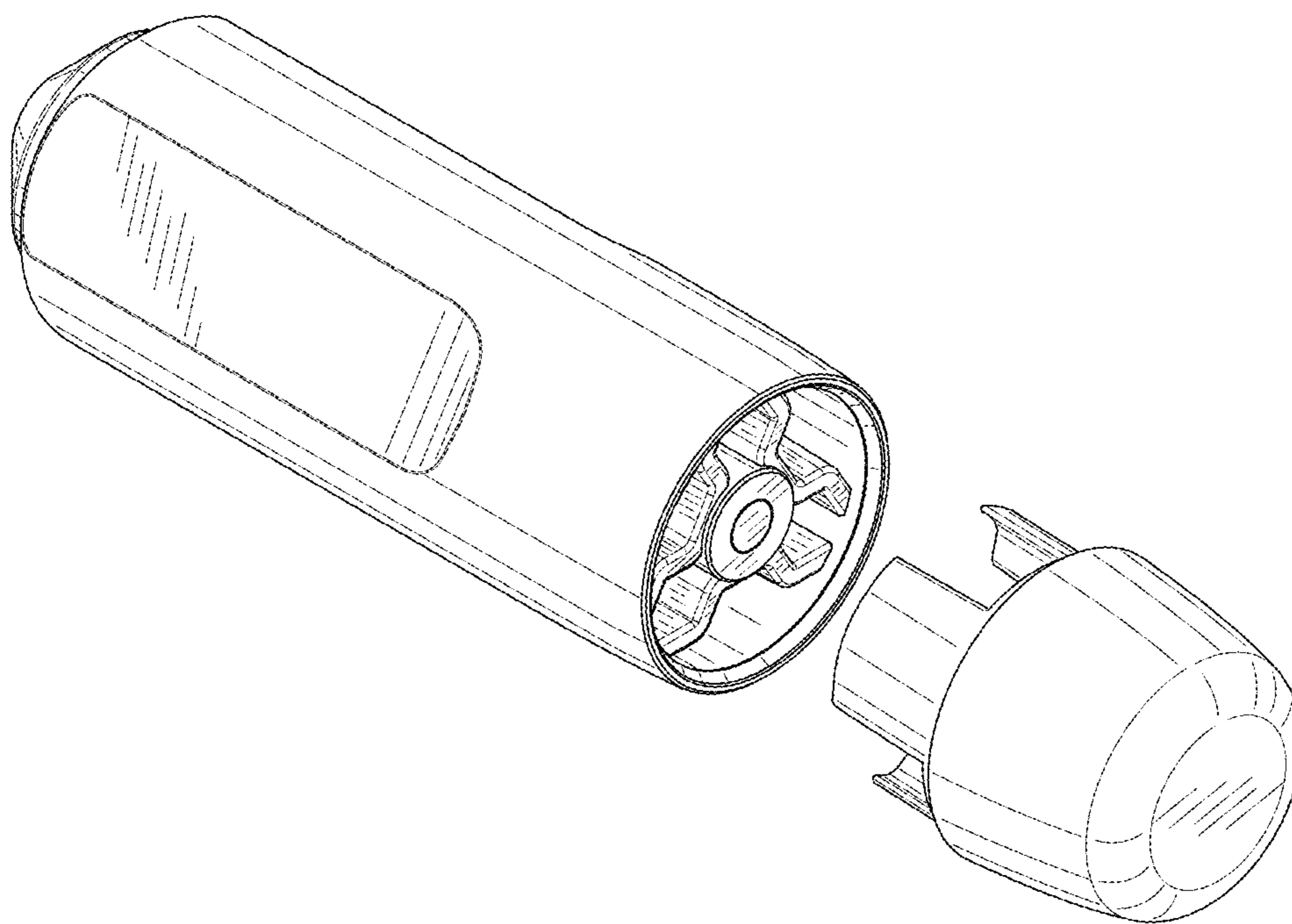


FIG. 10

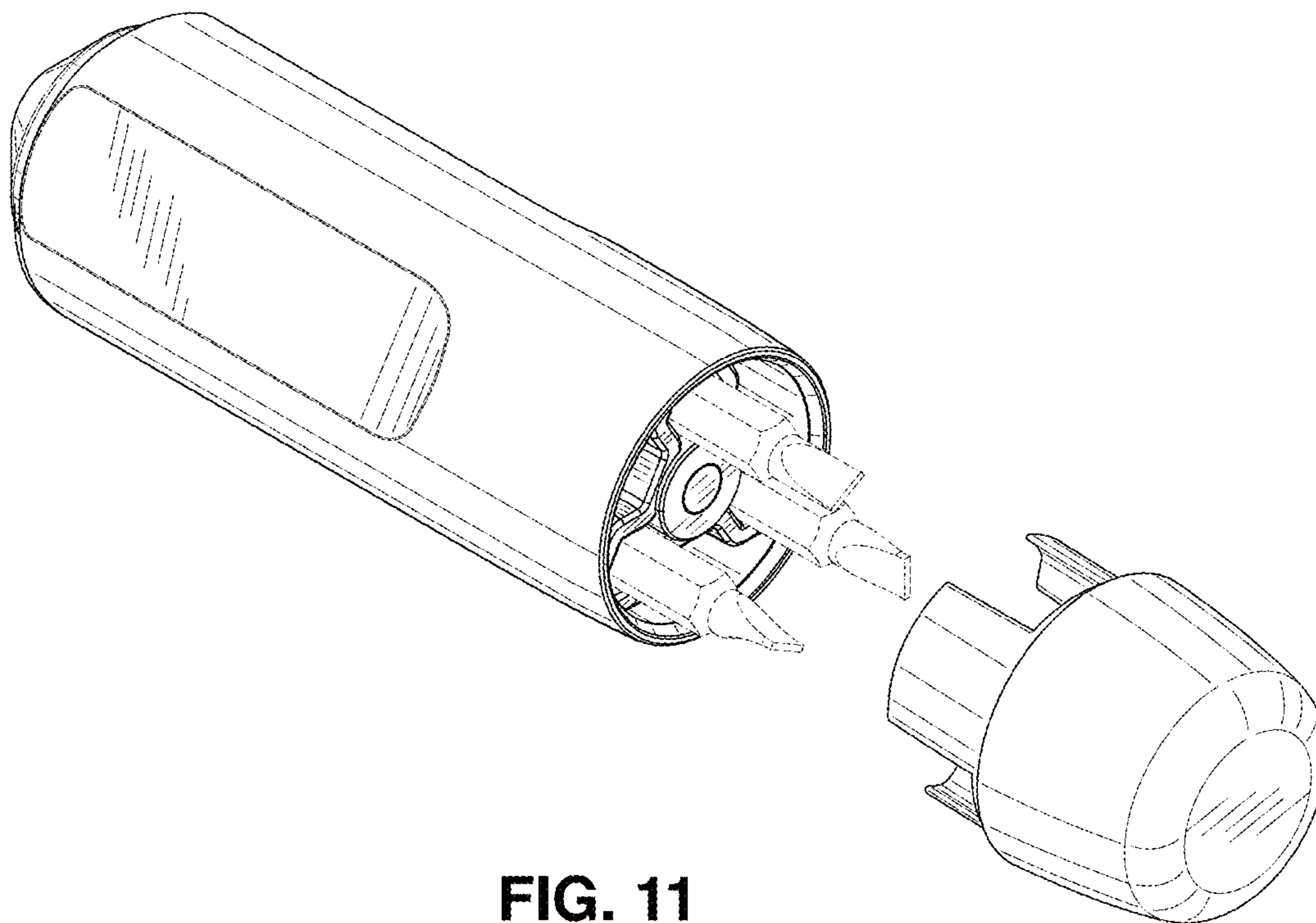


FIG. 11