

US00D845101S

(12) **United States Design Patent**  
**Caglar**

(10) **Patent No.:** **US D845,101 S**

(45) **Date of Patent:** **\*\* Apr. 9, 2019**

(54) **HAMMER**

(71) Applicant: **Stanley Black & Decker, Inc.**, New Britain, CT (US)

(72) Inventor: **Tolga Caglar**, Middletown, CT (US)

(73) Assignee: **Stanley Black & Decker, Inc.**, New Britain, CT (US)

(\*\*) Term: **15 Years**

(21) Appl. No.: **29/602,098**

(22) Filed: **Apr. 28, 2017**

(51) **LOC (11) Cl.** ..... **08-02**

(52) **U.S. Cl.**  
USPC ..... **D8/78**

(58) **Field of Classification Search**  
USPC ... D8/14, 75, 76, 77, 78, 79, 80, 81, 88, 89, D8/105  
CPC .... B25F 1/00; B25D 1/00; B25D 1/02; B25D 1/04; B25D 1/045; B25D 1/06; B25D 1/12; B66F 15/00; B25G 1/102  
See application file for complete search history.

(56) **References Cited**

U.S. PATENT DOCUMENTS

- D300,111 S \* 3/1989 Square ..... D8/75
- D507,167 S \* 7/2005 Richardson ..... D8/105
- D562,101 S \* 2/2008 Martone ..... D8/81

- D567,620 S \* 4/2008 Martone ..... D8/79
- D572,106 S \* 7/2008 Chen ..... D8/81
- D577,274 S \* 9/2008 Chen ..... D8/81
- D588,894 S \* 3/2009 Chen ..... D8/81
- D595,555 S \* 7/2009 Vanderbeek ..... D8/81
- 8,024,994 B2 \* 9/2011 St. John ..... B25F 1/00  
362/120
- 8,117,702 B2 \* 2/2012 Woolley ..... B25F 1/00  
7/146
- D752,940 S \* 4/2016 Deng ..... D8/81
- D769,099 S \* 10/2016 Trice ..... D8/78
- 9,670,042 B2 \* 6/2017 Liou ..... B66F 15/00

\* cited by examiner

*Primary Examiner* — Philip S Hyder

(74) *Attorney, Agent, or Firm* — Gabriel A. Haboubi

(57) **CLAIM**

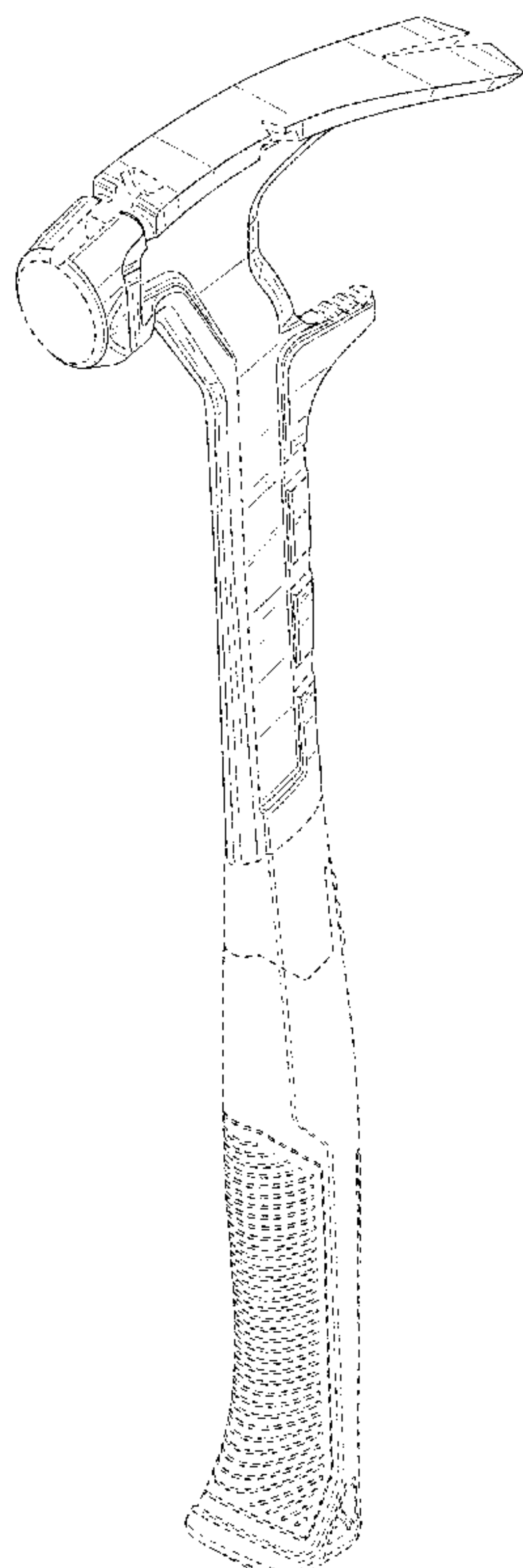
The ornamental design for a hammer, as shown and described.

**DESCRIPTION**

FIG. 1 is a perspective view of our new design.  
 FIG. 2 is a front view thereof.  
 FIG. 3 is a back view thereof.  
 FIG. 4 is a right side view thereof.  
 FIG. 5 is a left side view thereof.  
 FIG. 6 is a top view thereof; and,  
 FIG. 7 is a bottom view thereof.

The broken lines depict portions of the hammer in which the design is embodied that are not considered part of the claimed design.

**1 Claim, 7 Drawing Sheets**



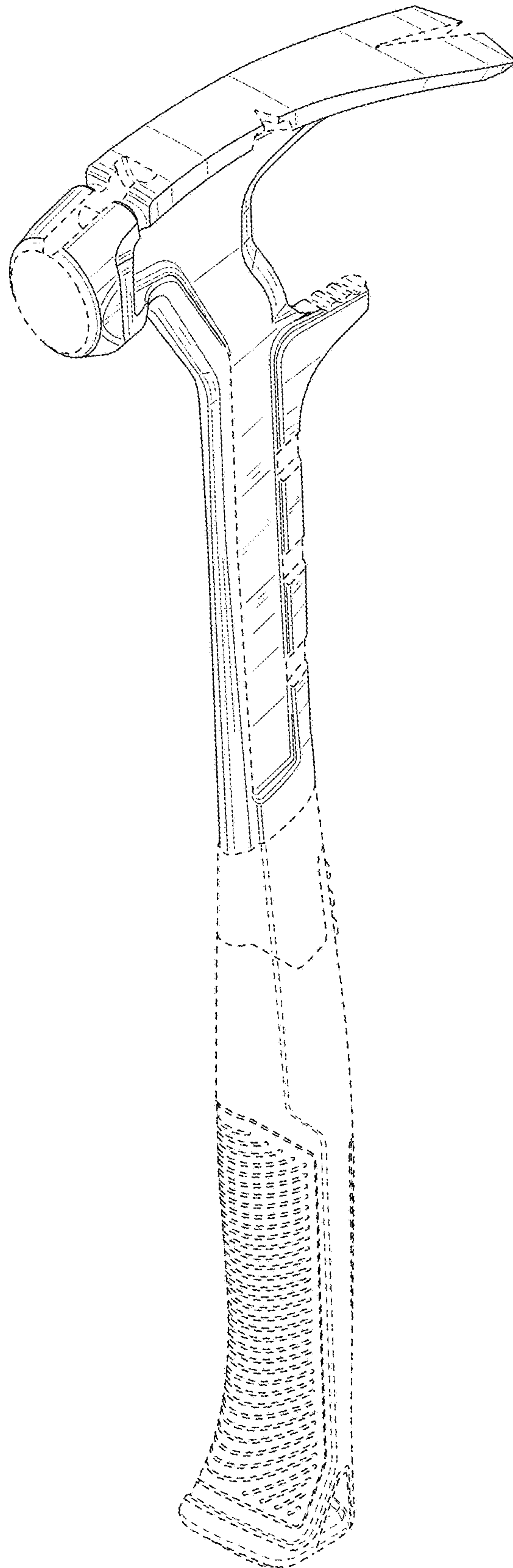


FIG. 1

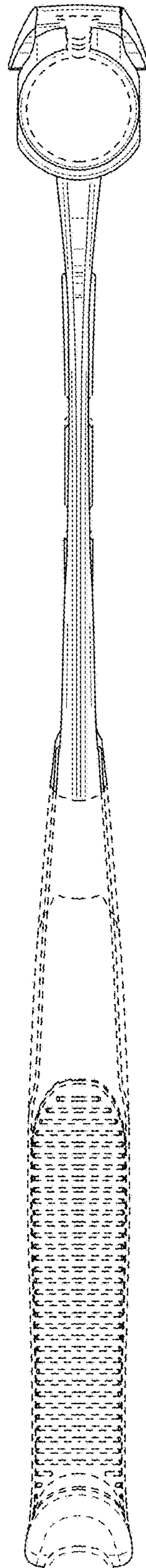


FIG. 2

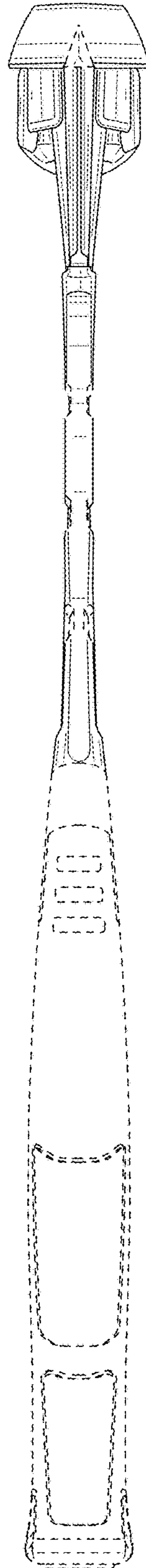


FIG. 3

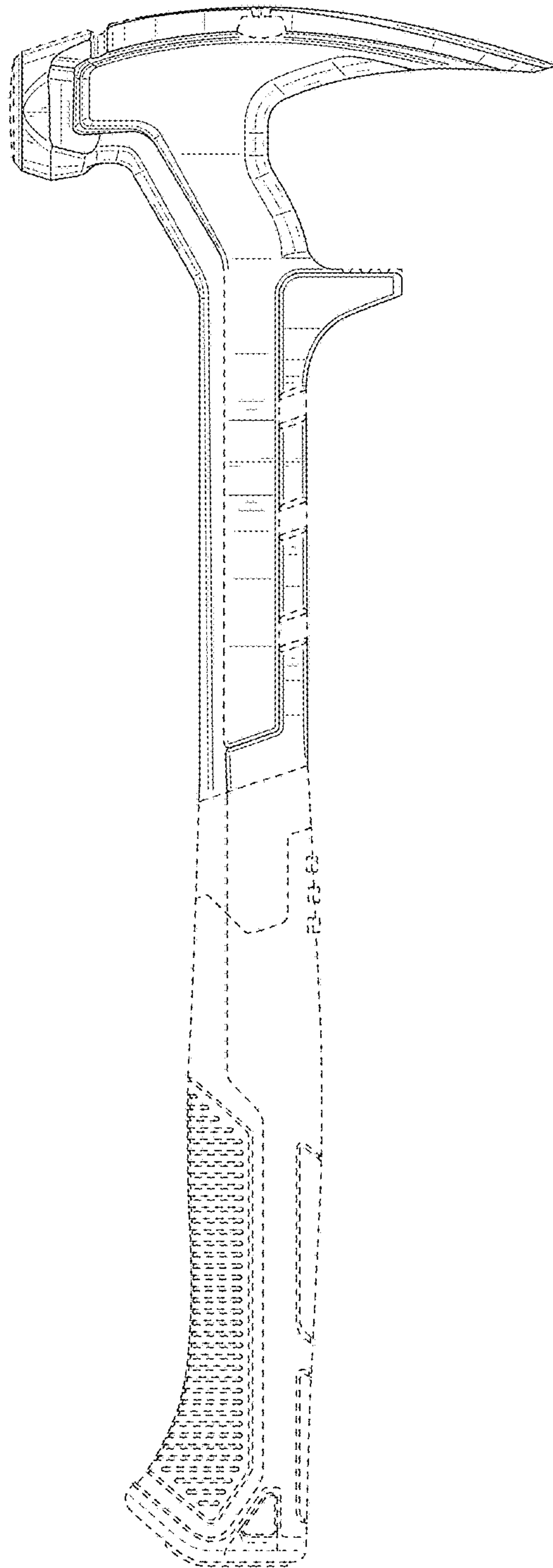


FIG. 4

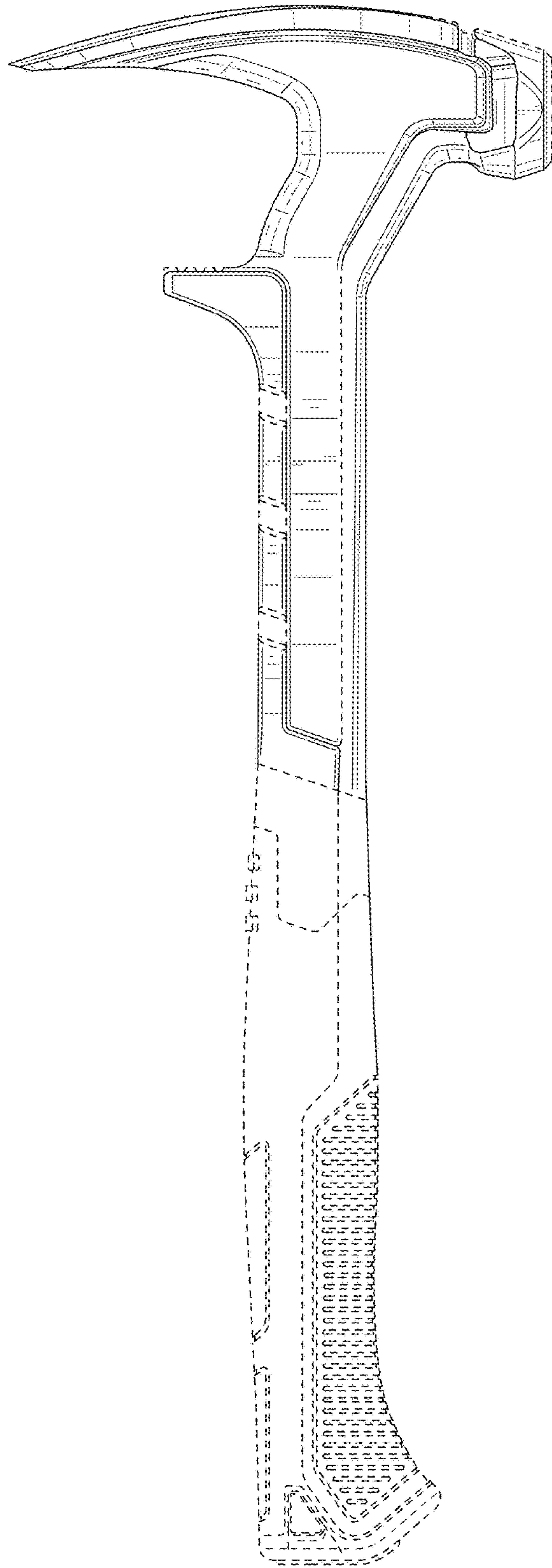


FIG. 5



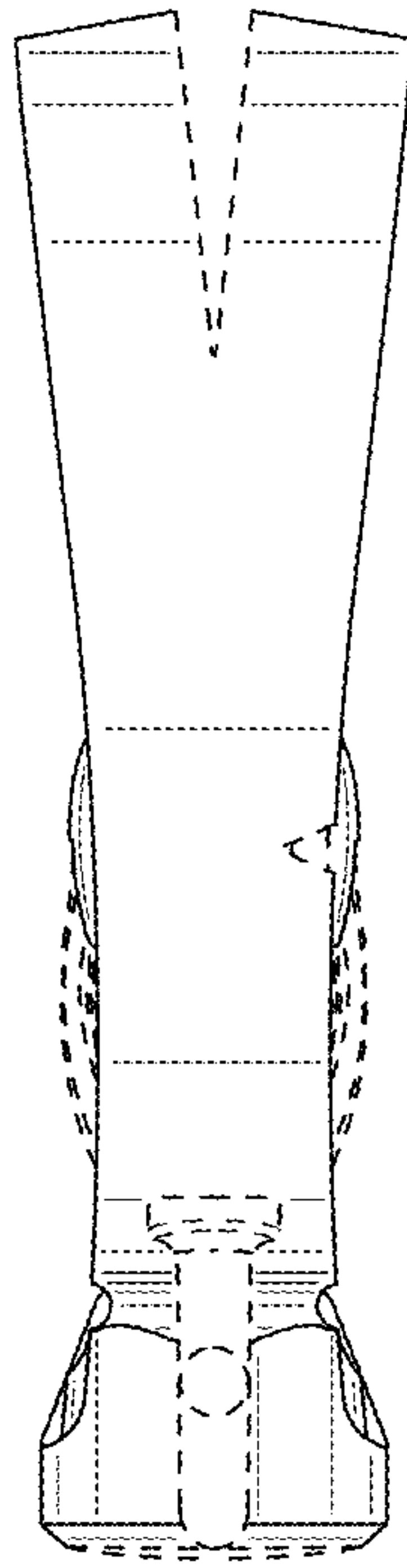


FIG. 6

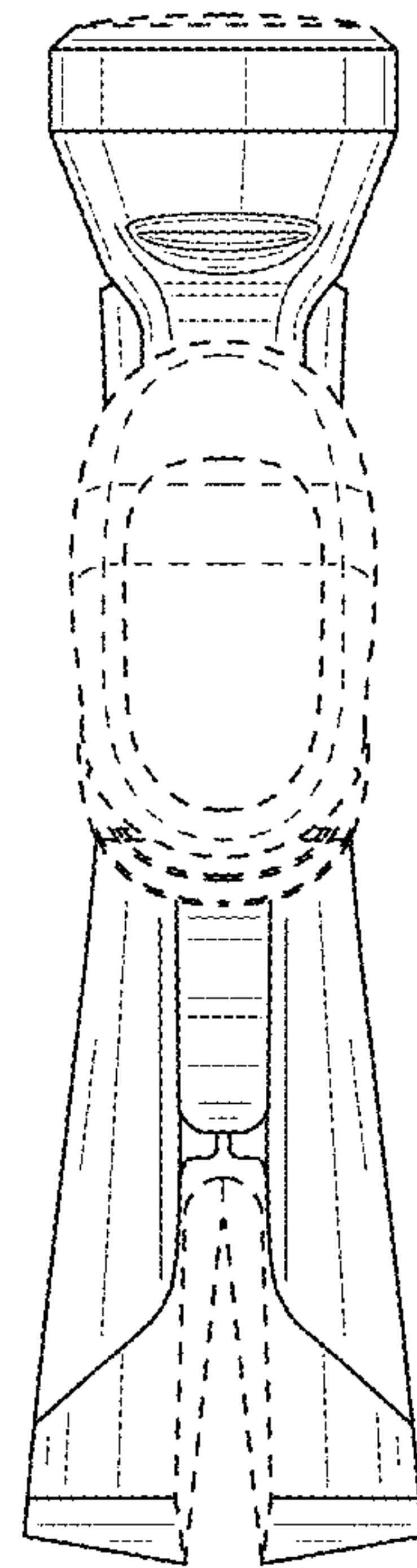


FIG. 7