



US00D845100S

(12) **United States Design Patent** (10) **Patent No.:** **US D845,100 S**
Gonzalez Garcia (45) **Date of Patent:** **** Apr. 9, 2019**

(54) **DRILL BIT ACCESSORY**
(71) Applicant: **GERMANS BOADA, S.A.**, Rubi
(Barcelona) (ES)
(72) Inventor: **Jesus Gonzalez Garcia**, Rubi (ES)
(73) Assignee: **GERMANS BOADA, S.A.**, Rubi
(Barcelona) (ES)

D295,016 S * 4/1988 Forrester D8/70
D334,700 S * 4/1993 Eller D8/71
5,251,964 A * 10/1993 Ojanen B23K 1/001
175/435
D356,271 S * 3/1995 Adamik D10/62
D410,033 S * 5/1999 Albertson D19/66
D639,682 S * 6/2011 Kozina B27F 5/12
D10/64
D669,754 S * 10/2012 Wackwitz D8/70
D682,124 S * 5/2013 Small D10/64
(Continued)

(**) Term: **15 Years**

(21) Appl. No.: **29/612,444**

(22) Filed: **Aug. 1, 2017**

(30) **Foreign Application Priority Data**

Feb. 20, 2017 (EM) 003759547-0001

(51) **LOC (11) Cl.** **08-05**

(52) **U.S. Cl.**
USPC **D8/71**

(58) **Field of Classification Search**
USPC D3/315; D8/70, 71; D10/64, 65, 70, 71,
D10/72, 73, 74; D15/138
CPC B23B 49/026; B23B 2250/12; B23B
27/1659; B23Q 35/103
See application file for complete search history.

(56) **References Cited**

U.S. PATENT DOCUMENTS

2,933,022 A * 4/1960 Stark B23Q 1/621
409/109
3,339,256 A * 9/1967 Melinder B23B 27/1659
30/339
3,813,969 A * 6/1974 Wheeler B23Q 35/103
82/1.3
4,091,692 A * 5/1978 Wrulich G06F 19/00
76/101.1
4,228,592 A * 10/1980 Badger G01B 3/02
33/427
4,233,747 A * 11/1980 Fisher B25H 7/00
33/464

FOREIGN PATENT DOCUMENTS

IN 217948-0001 * 12/2009

OTHER PUBLICATIONS

<https://www.rubi.com/documents/catalog/us/rubi-catalog.pdf> Sep. 19,
2018 (Year: 2018).*

(Continued)

Primary Examiner — Leanne Was-Englehart
(74) *Attorney, Agent, or Firm* — Maier & Maier, PLLC

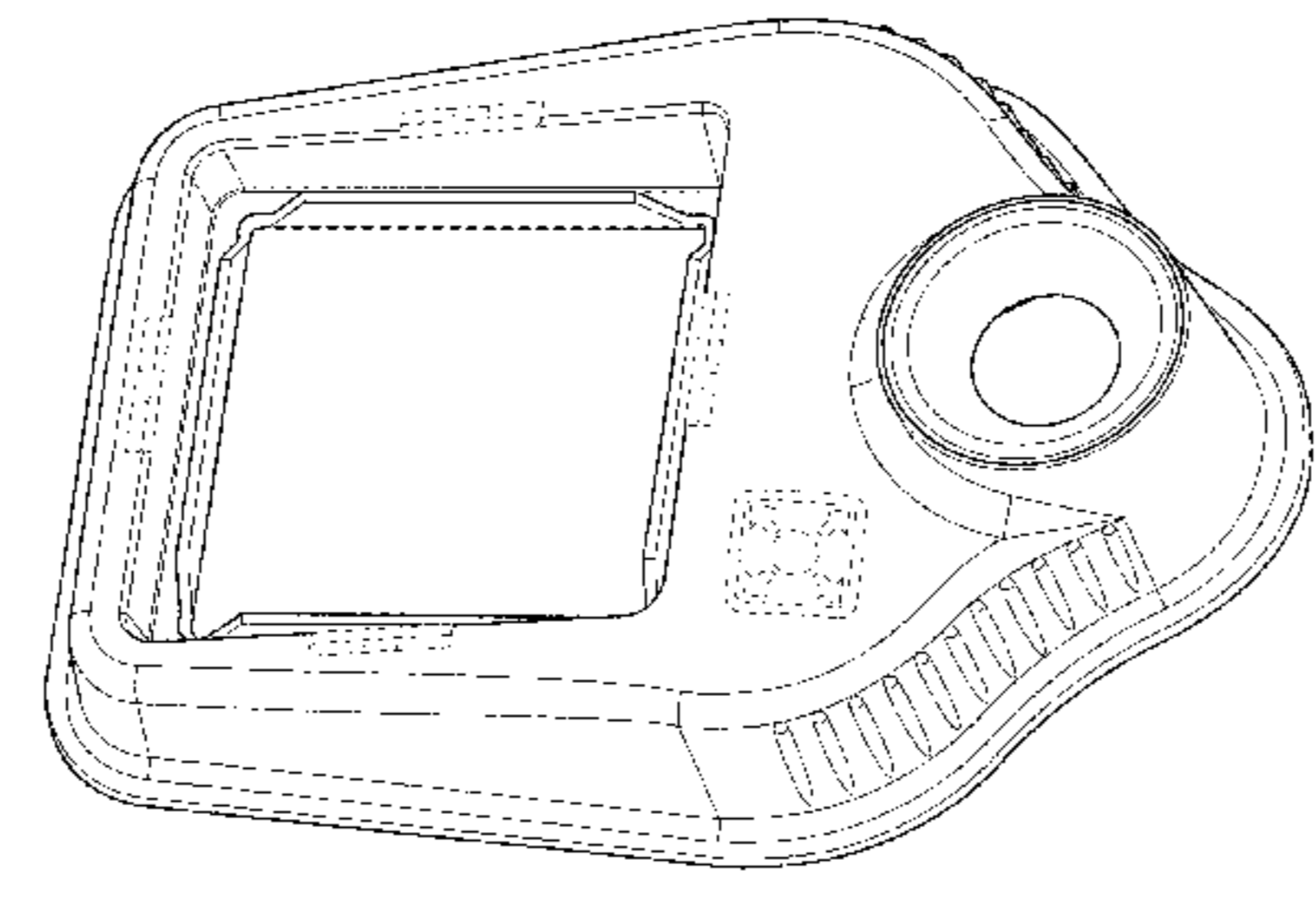
(57) **CLAIM**

The ornamental design for a drill bit accessory, as shown and described.

DESCRIPTION

FIG. 1 is a perspective view of a drill bit accessory, showing my design;
FIG. 2 is a top view thereof;
FIG. 3 is a bottom view thereof;
FIG. 4 is a right side view thereof;
FIG. 5 is a left side view thereof;
FIG. 6 is a rear side view thereof; and,
FIG. 7 is a front side view thereof.
The broken lines depict portions of the drill bit accessory that form no part of the claimed design.

1 Claim, 5 Drawing Sheets



(56)

References Cited

U.S. PATENT DOCUMENTS

8,475,091 B2 * 7/2013 Torrents I Comas
B23B 49/026
408/115 B
D817,140 S * 5/2018 Mouthaan D8/71
D824,741 S * 8/2018 Davis D8/71
2010/0232897 A1 * 9/2010 Torrents I Comas
B23B 49/026
408/115 R
2011/0078969 A1 * 4/2011 Tedesco E04B 9/18
52/506.06
2017/0246696 A1 * 8/2017 He B23B 49/026

OTHER PUBLICATIONS

<https://www.youtube.com/watch?v=Wxlry-2tY5E> Apr. 9, 2018 (Year: 2018).*

<https://www.rubi.com/documents/catalog/rubi-min.pdf> Jul. 9, 2018 (Year: 2018).*

* cited by examiner

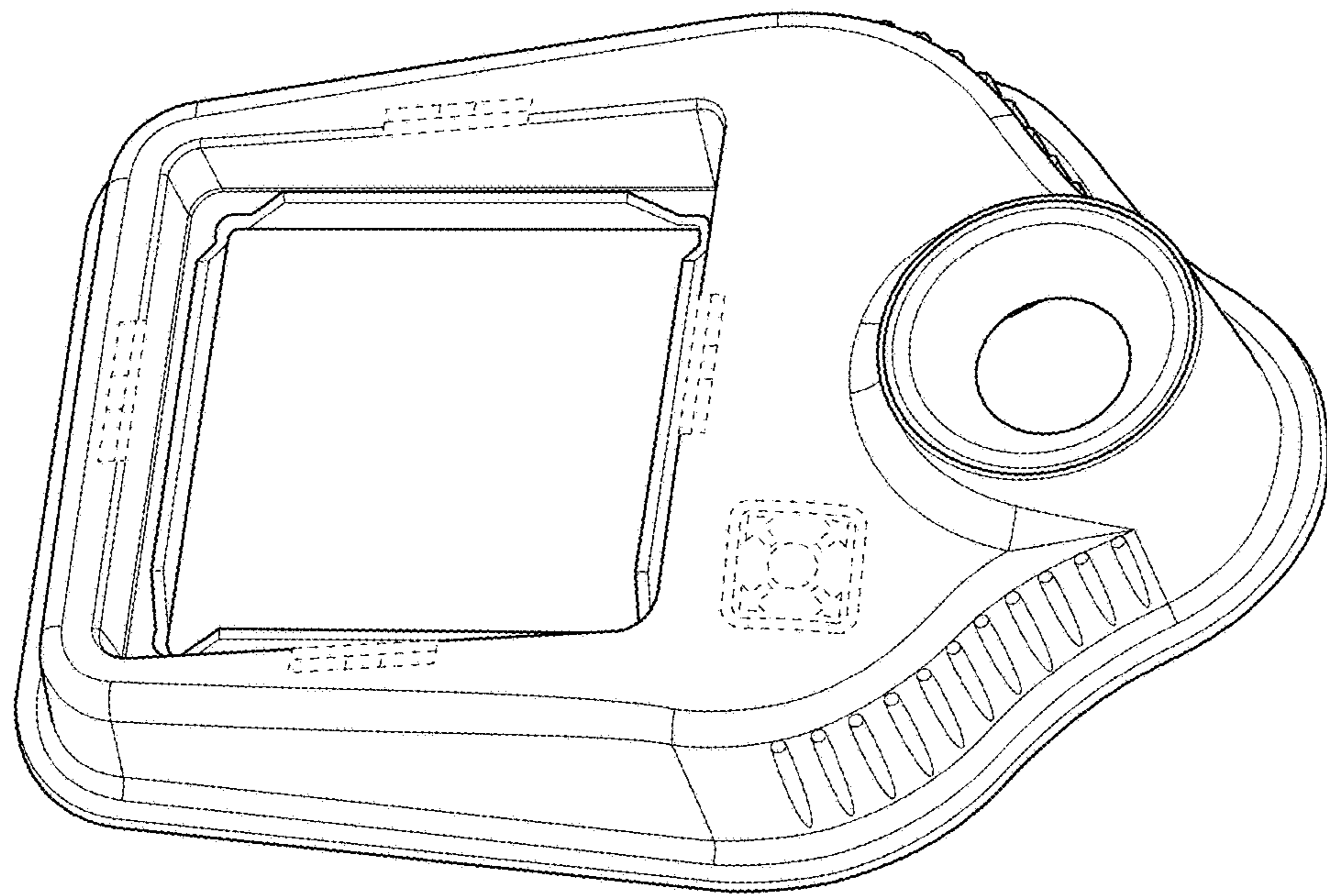


Fig. 1

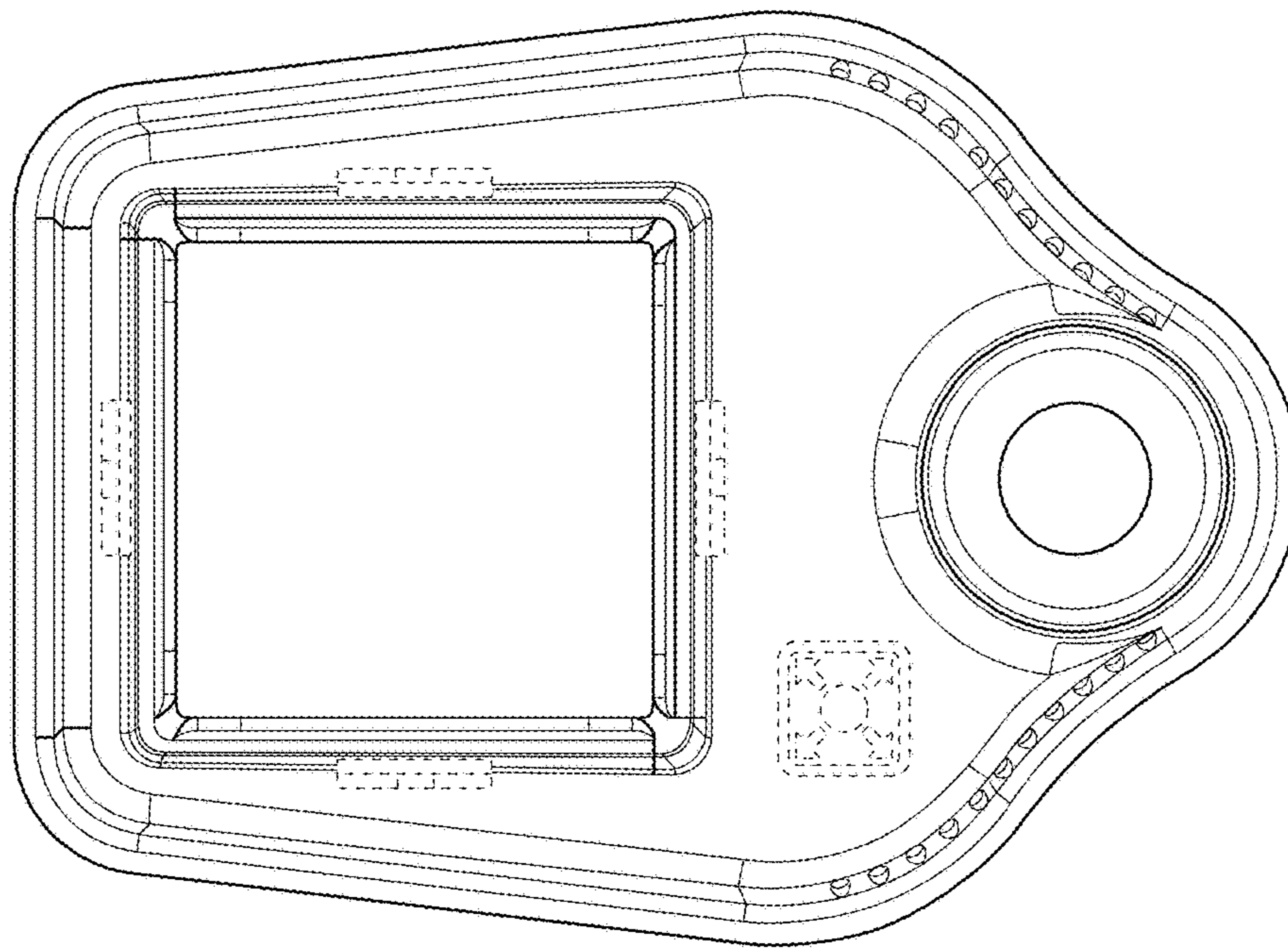


Fig. 2

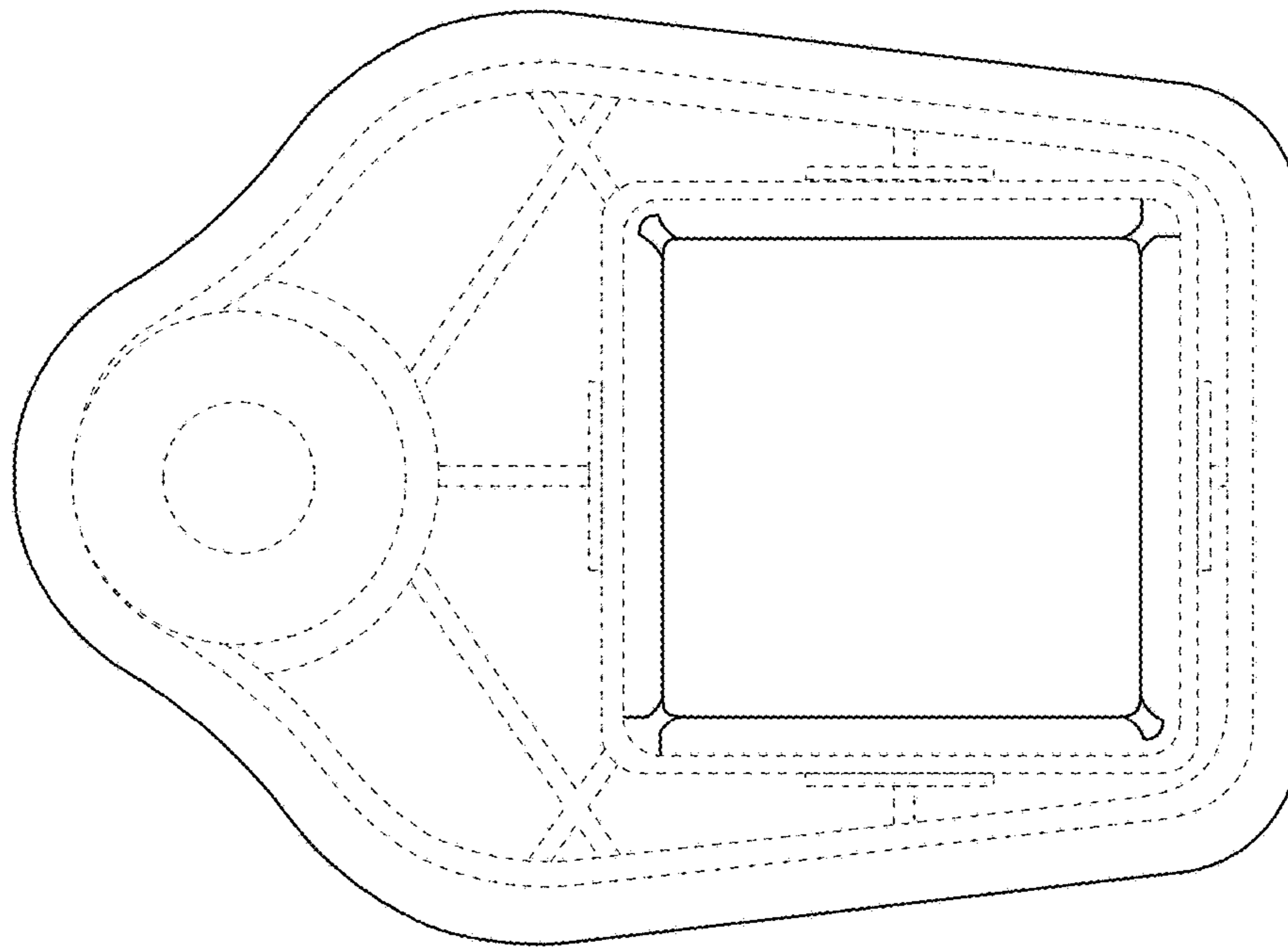


Fig. 3

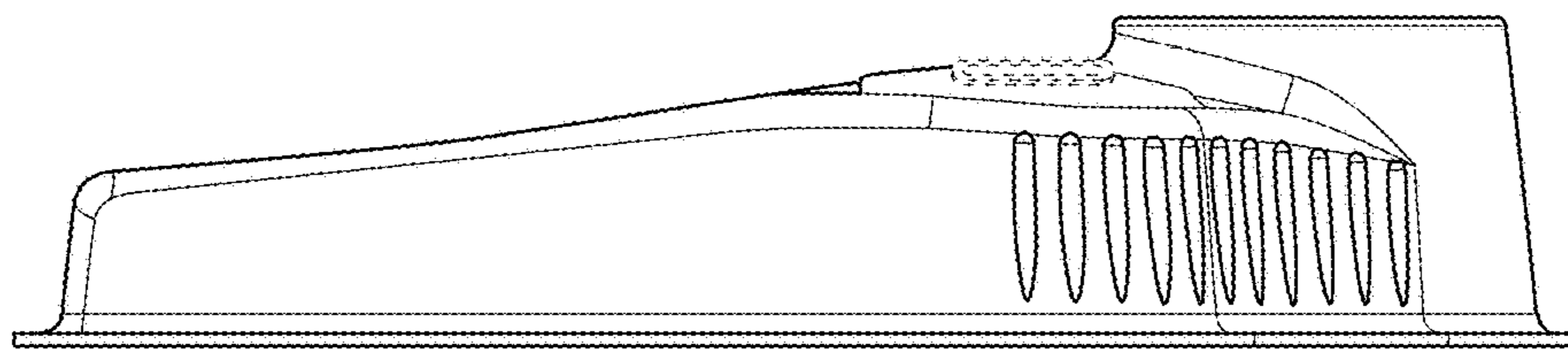


Fig. 4

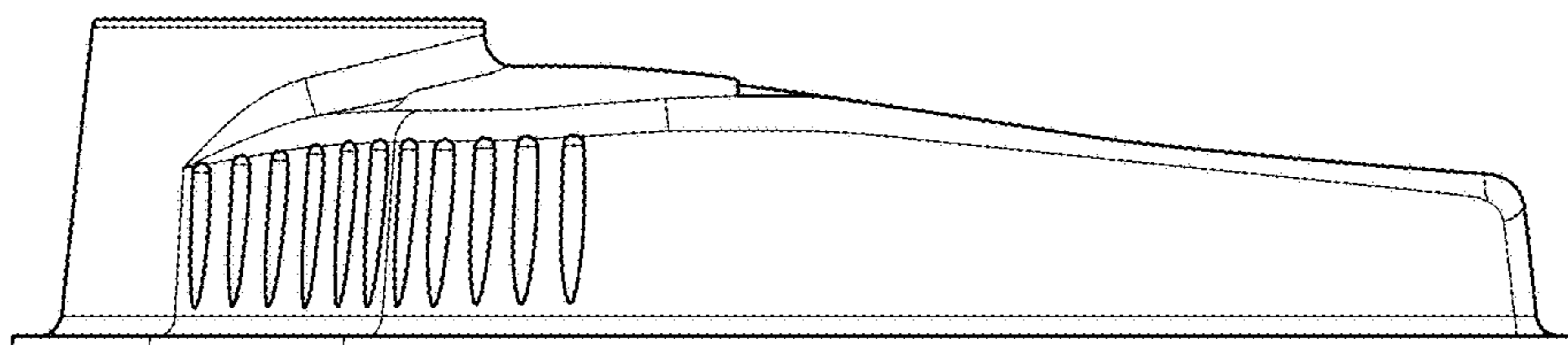


Fig. 5

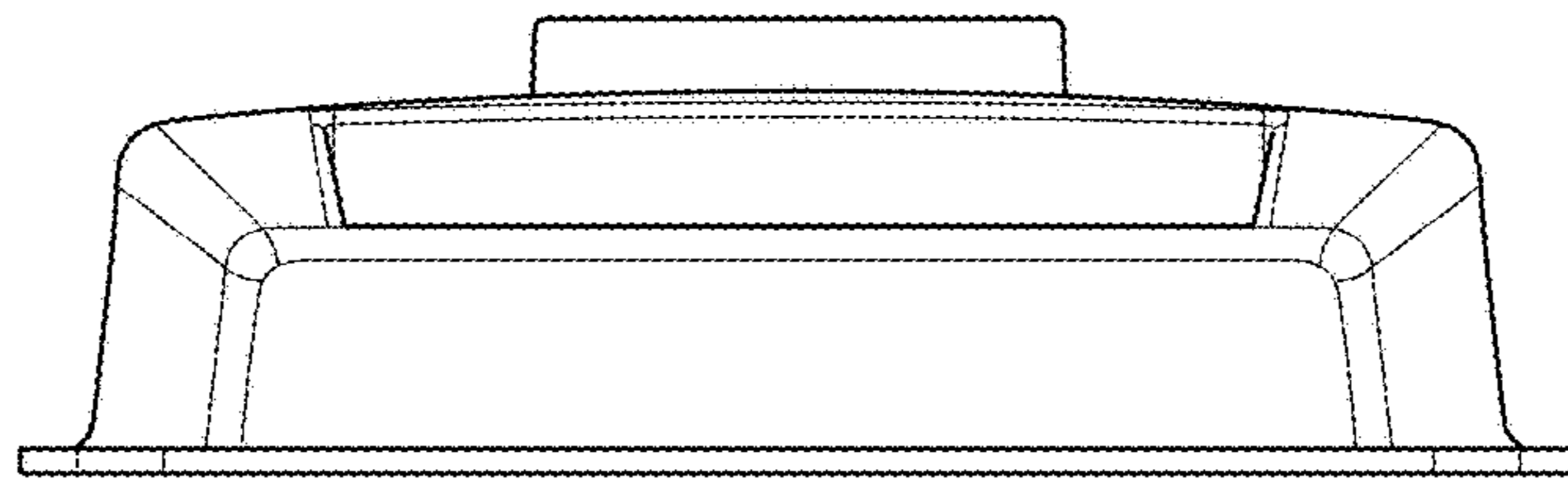


Fig. 6

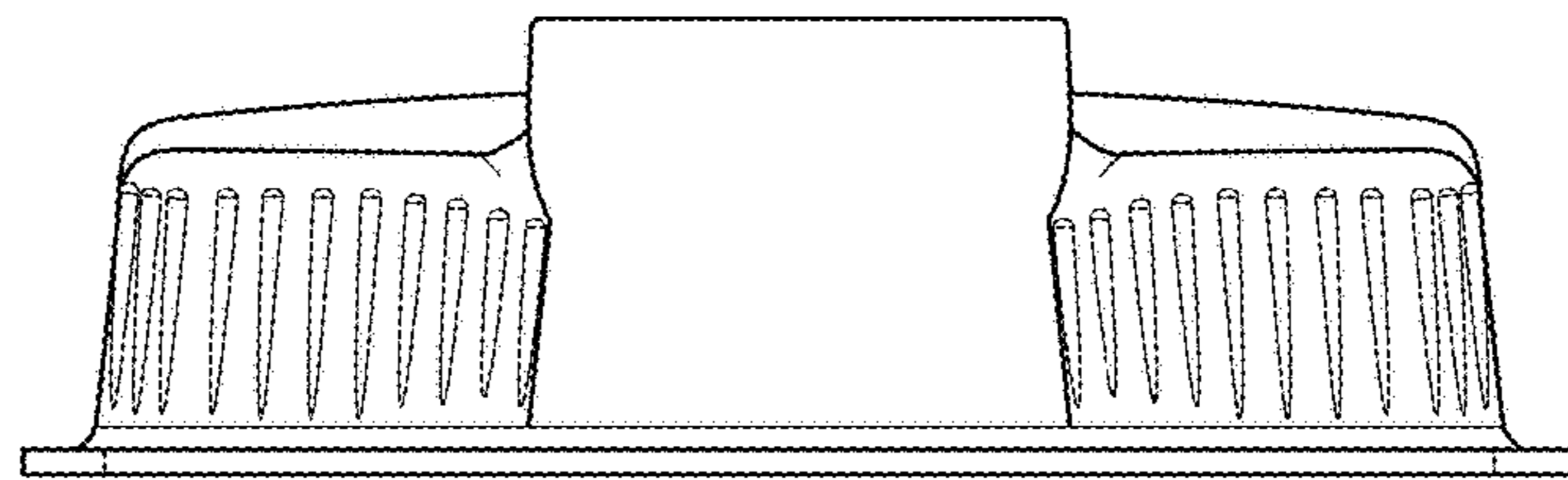


Fig. 7