



US00D845097S

(12) **United States Design Patent** (10) **Patent No.:** **US D845,097 S**
Fei (45) **Date of Patent:** **** Apr. 9, 2019**

(54) **CORKSCREW**
(71) Applicant: **Lifetime Brands, Inc.**, Garden City, NY (US)
(72) Inventor: **Ko Tung Fei**, Kwai Chung (HK)
(73) Assignee: **Lifetime Brands, Inc.**, Garden City, NY (US)

D576,003 S * 9/2008 Patrizio B67B 7/0429
D8/40
D706,598 S * 6/2014 Agarwal D8/42
D727,703 S * 4/2015 Lee D8/38
D728,335 S * 5/2015 Watson D8/42
D760,056 S * 6/2016 Tripp B25B 13/56
D8/105
D766,688 S * 9/2016 Cozzolino D8/42
D803,645 S * 11/2017 Suhami D8/38
D806,313 S * 12/2017 Penna D27/194

(Continued)

(**) Term: **15 Years**

(21) Appl. No.: **29/617,140**

(22) Filed: **Sep. 12, 2017**

(51) **LOC (11) Cl.** **07-06**

(52) **U.S. Cl.** **D8/42**
USPC

(58) **Field of Classification Search**
USPC D8/18, 33, 34, 38, 40, 42, 43; D9/441, D9/443, 600, 601, 609; D21/300, 385, D21/386, 398; 30/400; 7/151, 154, 155, 7/169

CPC B67B 1/00; B67B 1/04; B67B 1/06; B67B 7/00; B67B 7/04; B67B 7/06; B67B 7/12; B67B 7/16; B67B 7/20; B67B 7/22; B67B 7/0405; B67B 3/00; B67B 3/14; B25F 1/00; B25F 1/02; B25F 1/04

See application file for complete search history.

(56) **References Cited**

U.S. PATENT DOCUMENTS

D374,801 S * 10/1996 Puig D8/42
D393,993 S * 5/1998 De Bergen D8/34
D416,773 S * 11/1999 Cellini D8/34
D421,373 S * 3/2000 Hollinger D8/42
D452,122 S * 12/2001 Hughes D8/38
D454,038 S * 3/2002 Kao D8/38
D455,623 S * 4/2002 Farfalli D8/42
D490,672 S * 6/2004 Simons D8/42
D511,950 S * 11/2005 Lee D8/42

OTHER PUBLICATIONS

Fred & Friends 5218456 Fred Corkscrew, Winer Dog; Retrieved from [www.amazon.com](https://www.amazon.com/Fred-Friends-5218456-Corkscrew-WINER/dp/B075RTY739); <https://www.amazon.com/Fred-Friends-5218456-Corkscrew-WINER/dp/B075RTY739>; Retrieved on Jun. 25, 2018; First listed on Amazon.com Sep. 19, 2017 (Year: 2017).*

(Continued)

Primary Examiner — Wan Laymon
Assistant Examiner — Clint A Samuel
(74) *Attorney, Agent, or Firm* — Tutunjian & Bitetto, P.C.

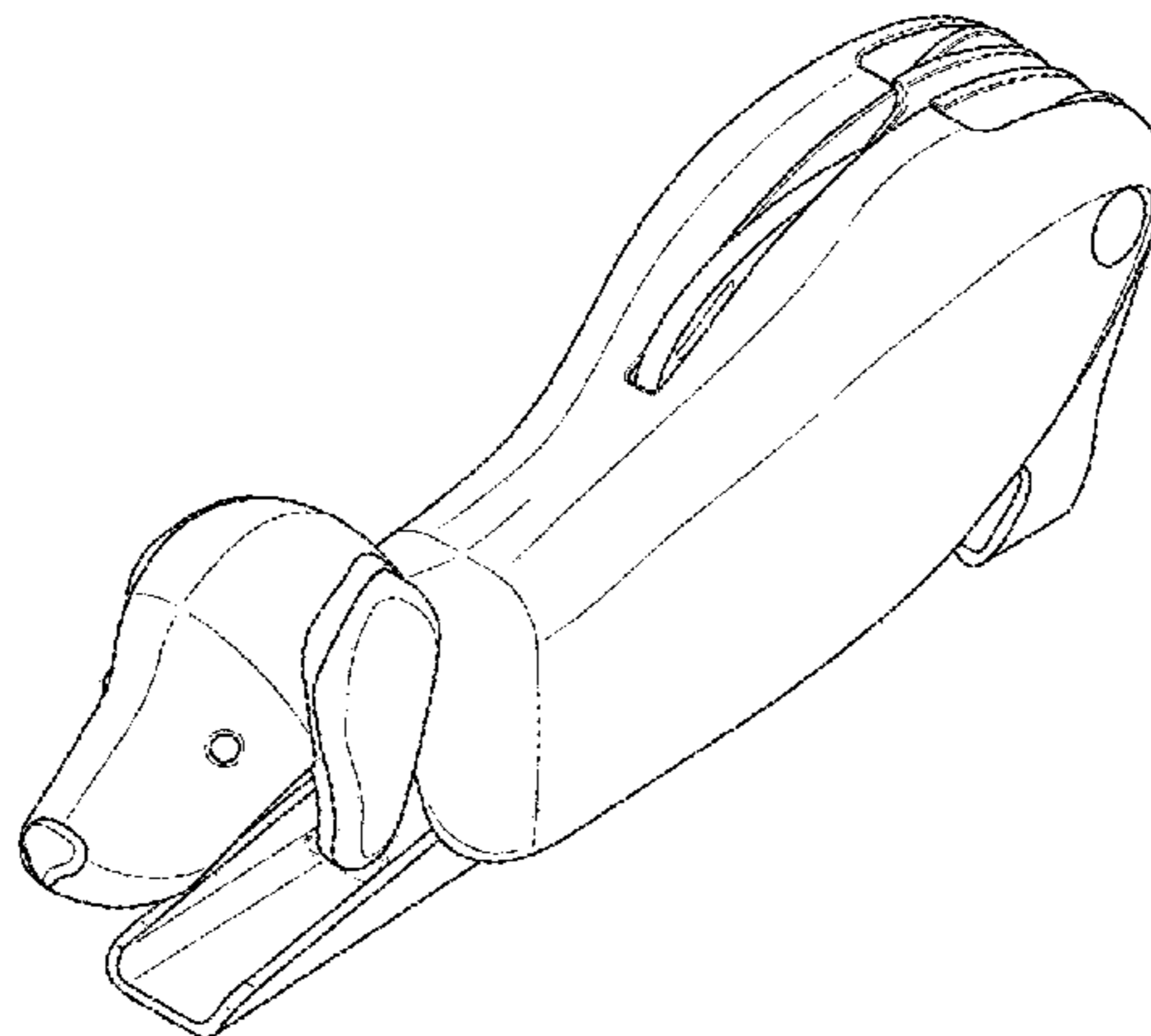
(57) **CLAIM**

The ornamental design for a corkscrew, as shown and described.

DESCRIPTION

FIG. 1 is a perspective view of the corkscrew showing my new design;
FIG. 2 is a right side view thereof, the left side being a mirror image of the right side;
FIG. 3 is a front view thereof;
FIG. 4 is a rear view thereof;
FIG. 5 is a top view thereof; and,
FIG. 6 is a bottom view thereof.
The broken lines shown in the drawings are for the purpose of illustrating portions of the corkscrew and form no part of the claimed design.

1 Claim, 2 Drawing Sheets



(56)

References Cited

U.S. PATENT DOCUMENTS

D808,753	S *	1/2018	Westrick	D8/40
D811,839	S *	3/2018	Lippert	D8/43
D814,895	S *	4/2018	Malaspino	D8/40
D814,896	S *	4/2018	Bodum	D8/42
D822,449	S *	7/2018	Westrick	D8/38
D833,242	S *	11/2018	Harto	D8/42
2007/0133654	A1 *	6/2007	Harris	B67B 7/0423 374/121
2011/0119835	A1 *	5/2011	Bates	B67B 7/0423 7/155
2012/0005838	A1 *	1/2012	Ellington	B25F 1/04 7/155
2013/0319179	A1 *	12/2013	Colman	B26B 11/00 81/3.09
2018/0186616	A1 *	7/2018	Lippert	B67B 7/0423
2018/0346304	A1 *	12/2018	Gourand	B67B 7/0429

OTHER PUBLICATIONS

Dachshund Winer Dog Corkscrew; Retrieved from www.francescas.com; <https://www.francescas.com/product/dachshund-winer-dog-corkscrew.do>; Retrieved on Jun. 25, 2018; Posted Dec. 4, 2017 (Year: 2017).*

* cited by examiner

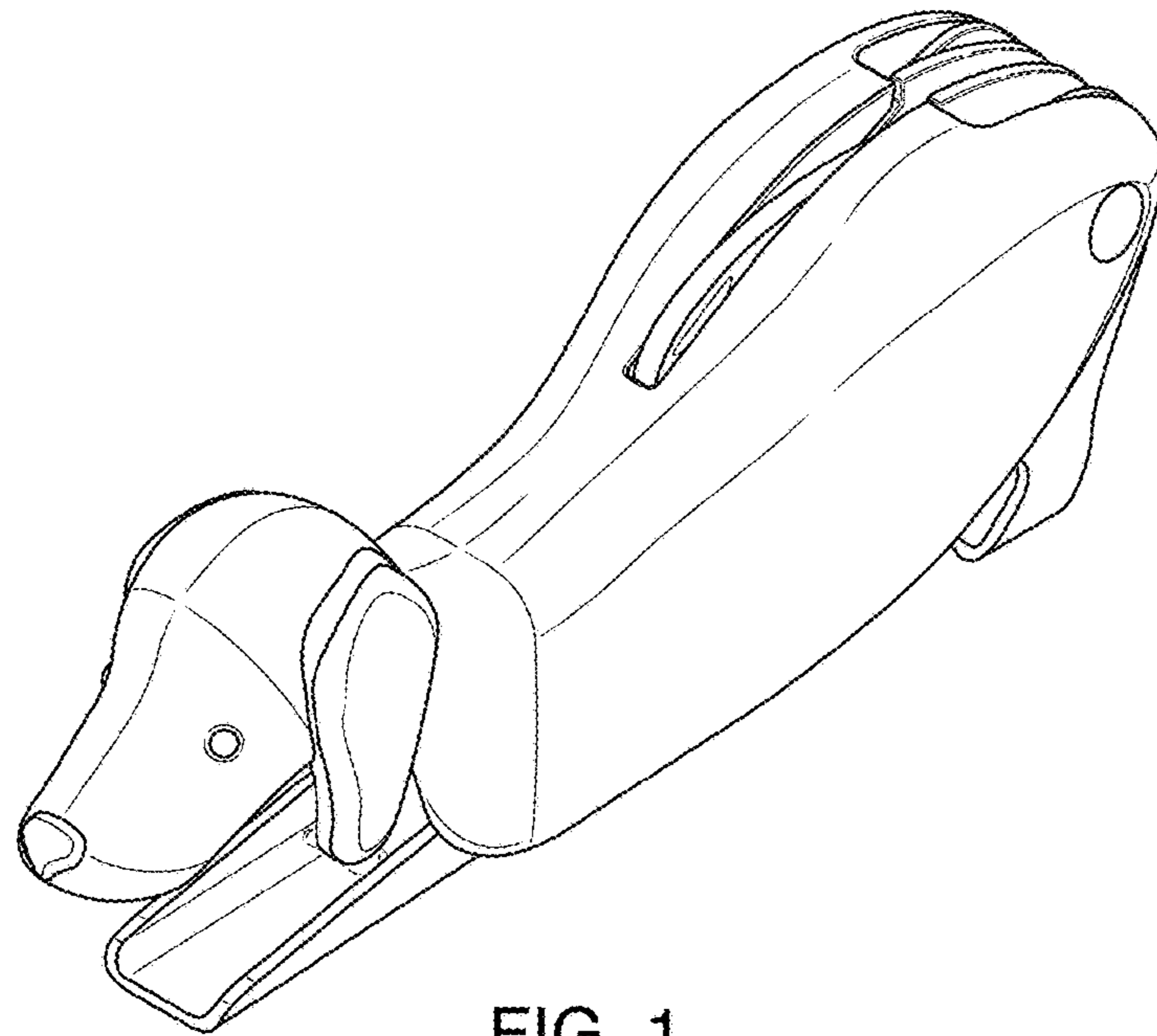


FIG. 1

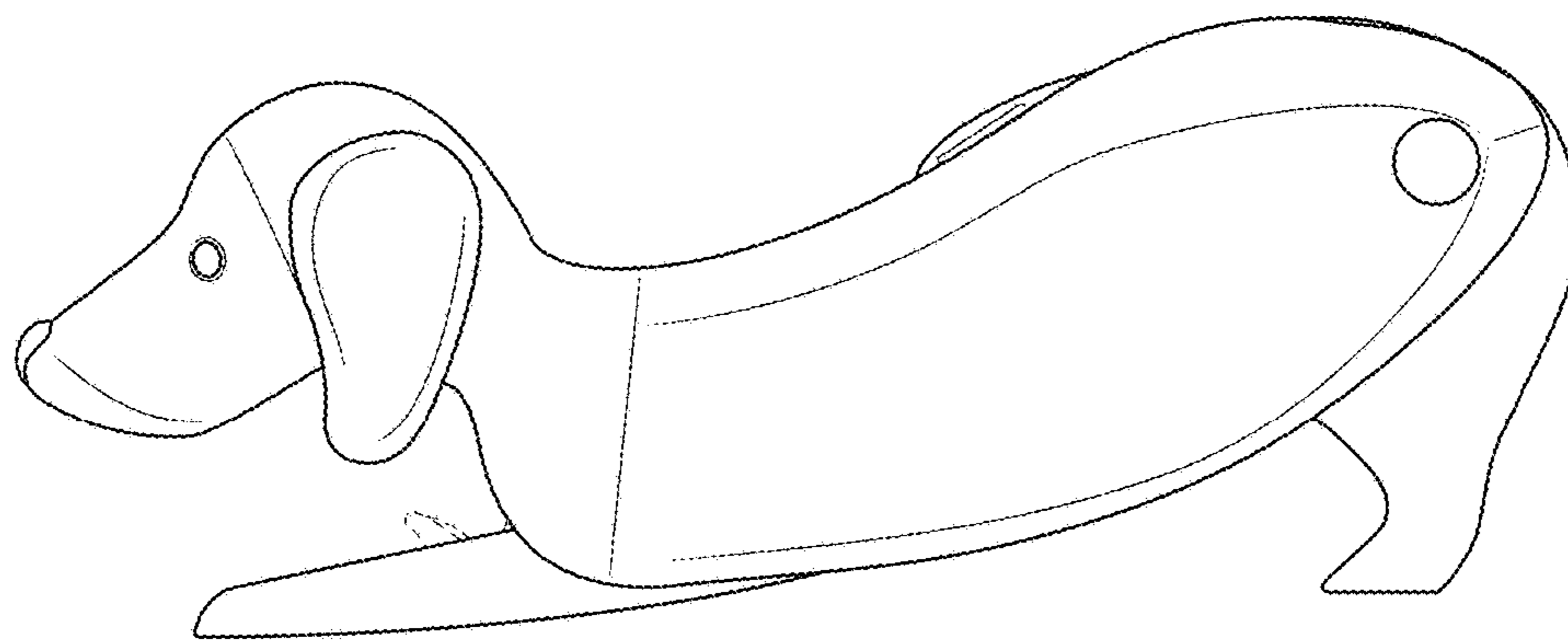


FIG. 2

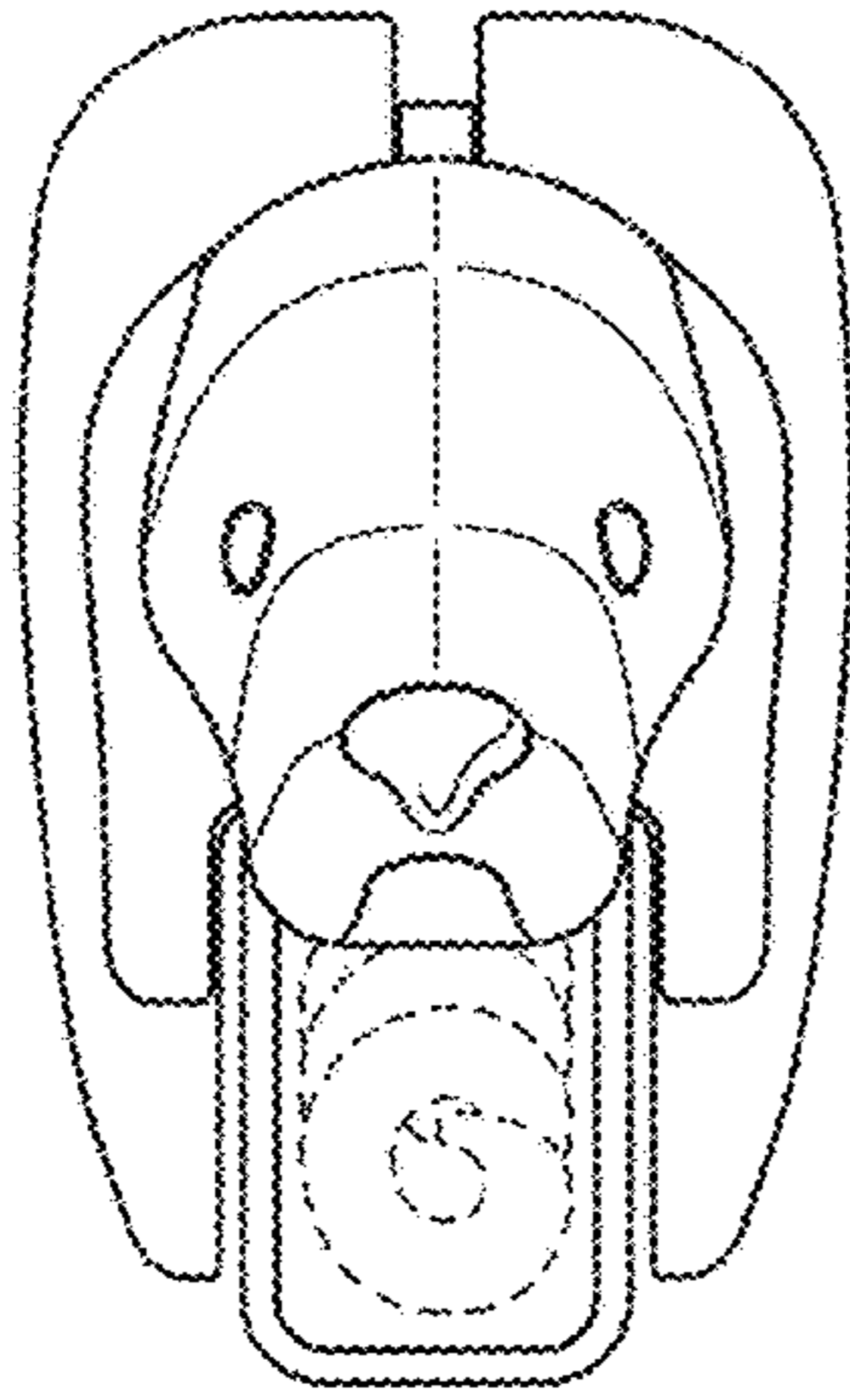


FIG. 3

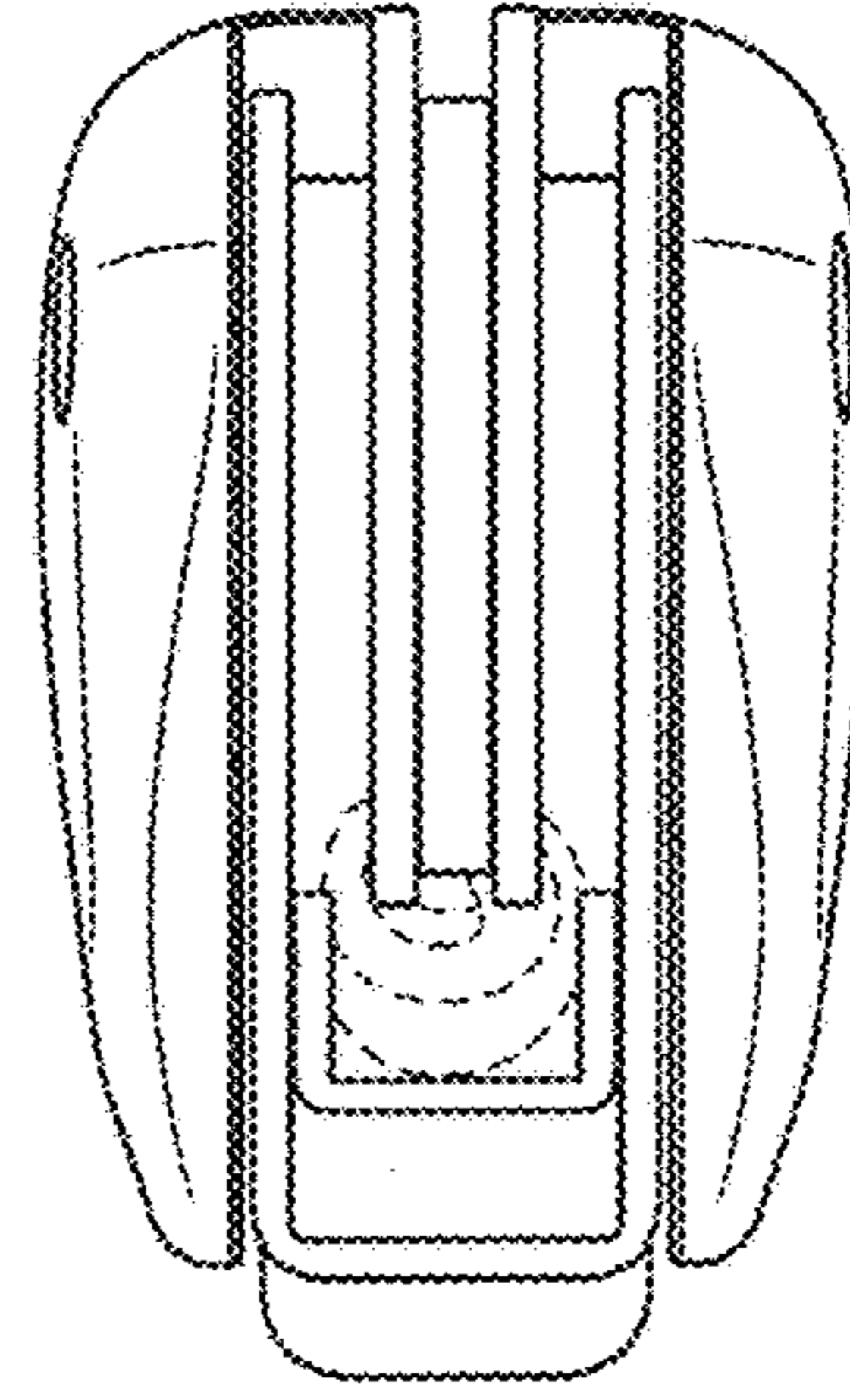


FIG. 4

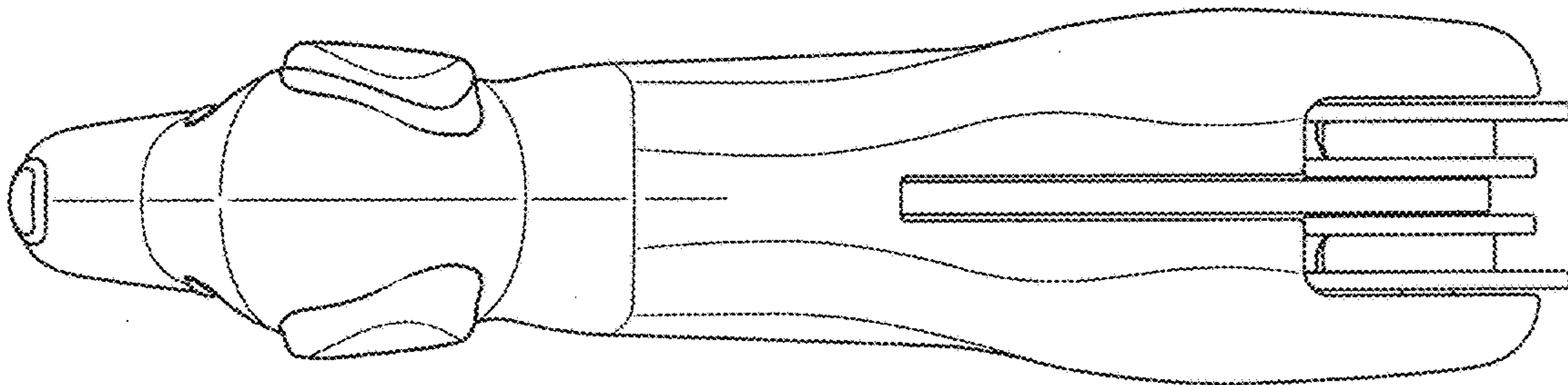


FIG. 5

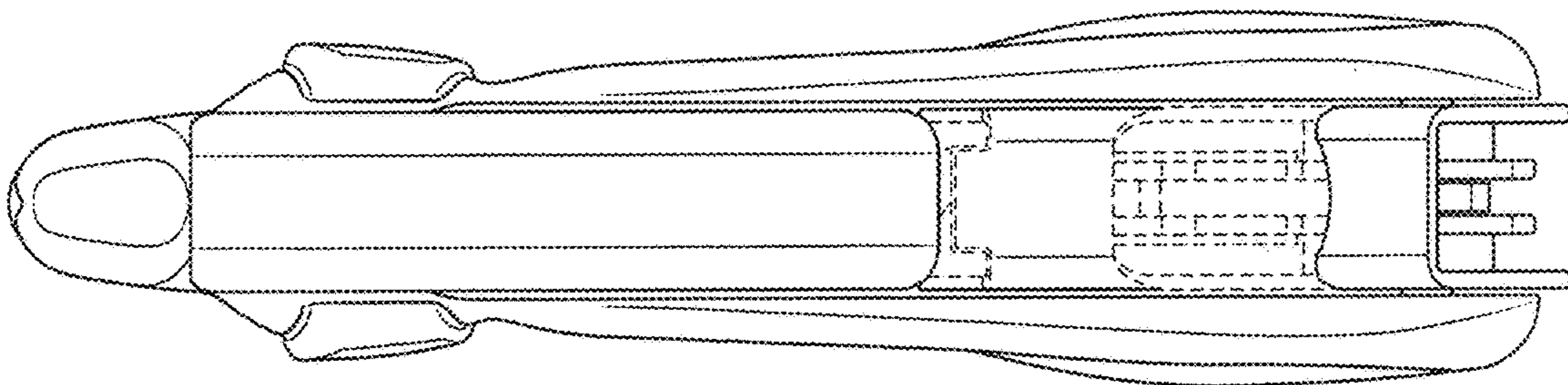


FIG. 6