

US00D845095S

(12) **United States Design Patent**  
**Almajid**

(10) **Patent No.:** **US D845,095 S**

(45) **Date of Patent:** **\*\* Apr. 9, 2019**

(54) **COMPONENT DISCHARGE DEVICE**

8,573,450 B2 \* 11/2013 Hsu ..... B05C 17/0103  
222/333

(71) Applicant: **Sulzer Mixpac AG**, Haag (CH)

8,875,948 B2 \* 11/2014 Naughton ..... B05C 17/00553  
222/137

(72) Inventor: **Juan Almajid**, Valby (DK)

D719,424 S \* 12/2014 Okuda ..... D8/14.1

D725,978 S \* 4/2015 Uematsu et al. .... D8/14.1

D729,400 S \* 5/2015 Hayman ..... D24/221

(73) Assignee: **SULZER MIXPAC AG**, Haag (CH)

2008/0197154 A1\* 8/2008 Herman ..... B05C 17/01  
222/326

(\*\*) Term: **14 Years**

\* cited by examiner

(21) Appl. No.: **29/495,430**

*Primary Examiner* — Philip S Hyder

(22) Filed: **Jul. 1, 2014**

(74) *Attorney, Agent, or Firm* — Global IP Counselors,  
LLP

(51) **LOC (11) Cl.** ..... **08-05**

(52) **U.S. Cl.**

USPC ..... **D8/14.1**

(58) **Field of Classification Search**

USPC ..... D8/14, 14.1

CPC ..... B05C 17/0103; B05C 17/00553; B05C  
17/00576

See application file for complete search history.

(57) **CLAIM**

The ornamental design for a component discharge device, as shown and described.

**DESCRIPTION**

FIG. 1 is a front right perspective view of a component discharge device embodying our new design; FIG. 2 is a front left perspective view thereof; FIG. 3 is a front elevation view thereof; FIG. 4 is a rear elevation view thereof; FIG. 5 is a right side elevation view thereof; FIG. 6 is a left side elevation view thereof; FIG. 7 is a top plan view thereof; and, FIG. 8 is a bottom plan view thereof.

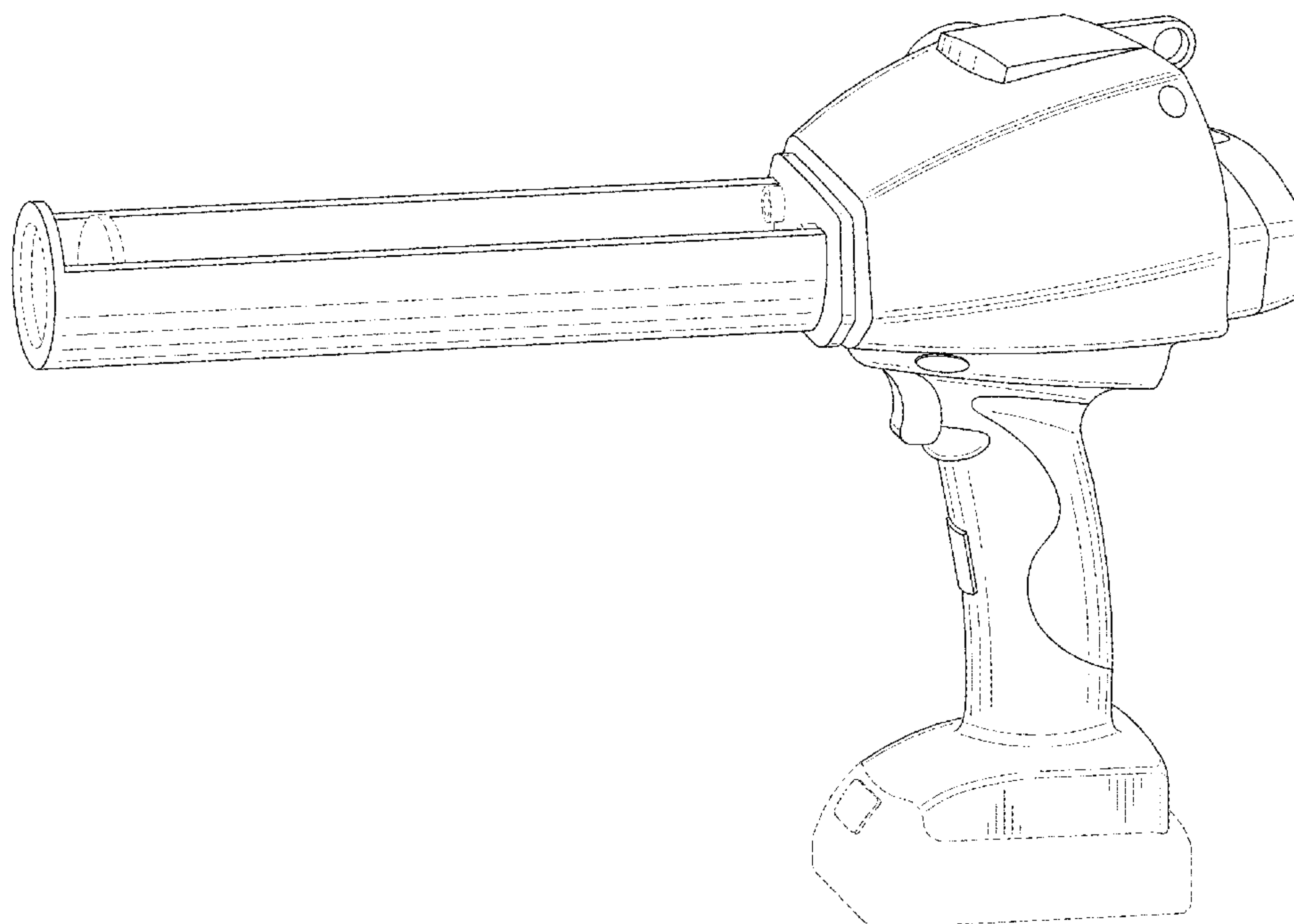
The broken lines depict portions of the component discharge device in which the design is embodied that are not considered part of the claimed design.

**1 Claim, 8 Drawing Sheets**

(56) **References Cited**

U.S. PATENT DOCUMENTS

4,315,469	A *	2/1982	Vareide	.....	F23C 10/22 110/245
4,615,469	A *	10/1986	Kishi et al.	.....	222/327
D425,978	S *	5/2000	Cunning	.....	D23/353
D545,152	S *	6/2007	Lopano	.....	D8/14.1
D567,038	S *	4/2008	Carallo	.....	D7/700
D573,425	S *	7/2008	Post	.....	D8/14.1
D635,835	S *	4/2011	Post	.....	D8/14.1
D636,091	S *	4/2011	Brummitt	.....	D24/152
D687,273	S *	8/2013	Breitenmoser	.....	D8/14.1



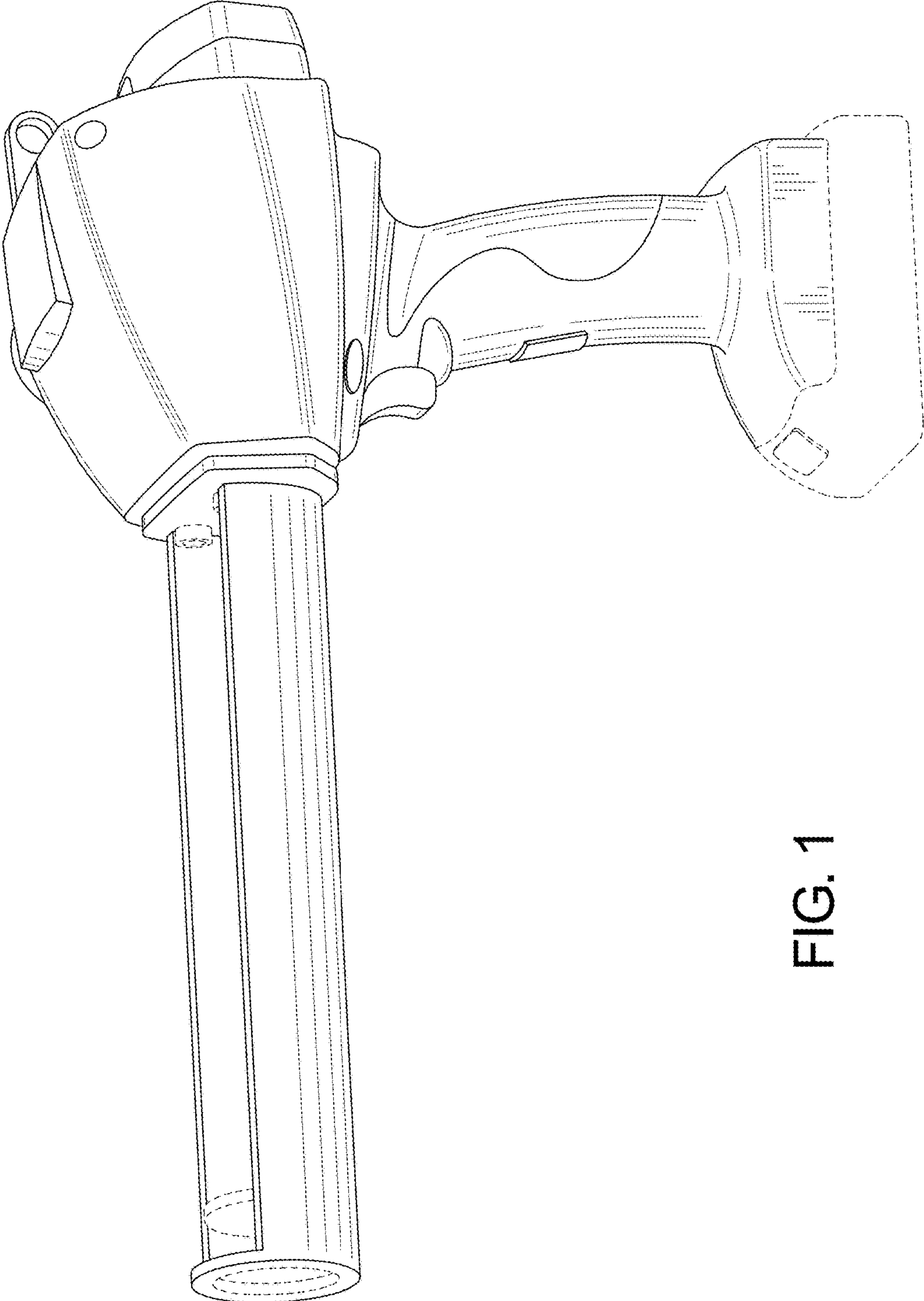


FIG. 1

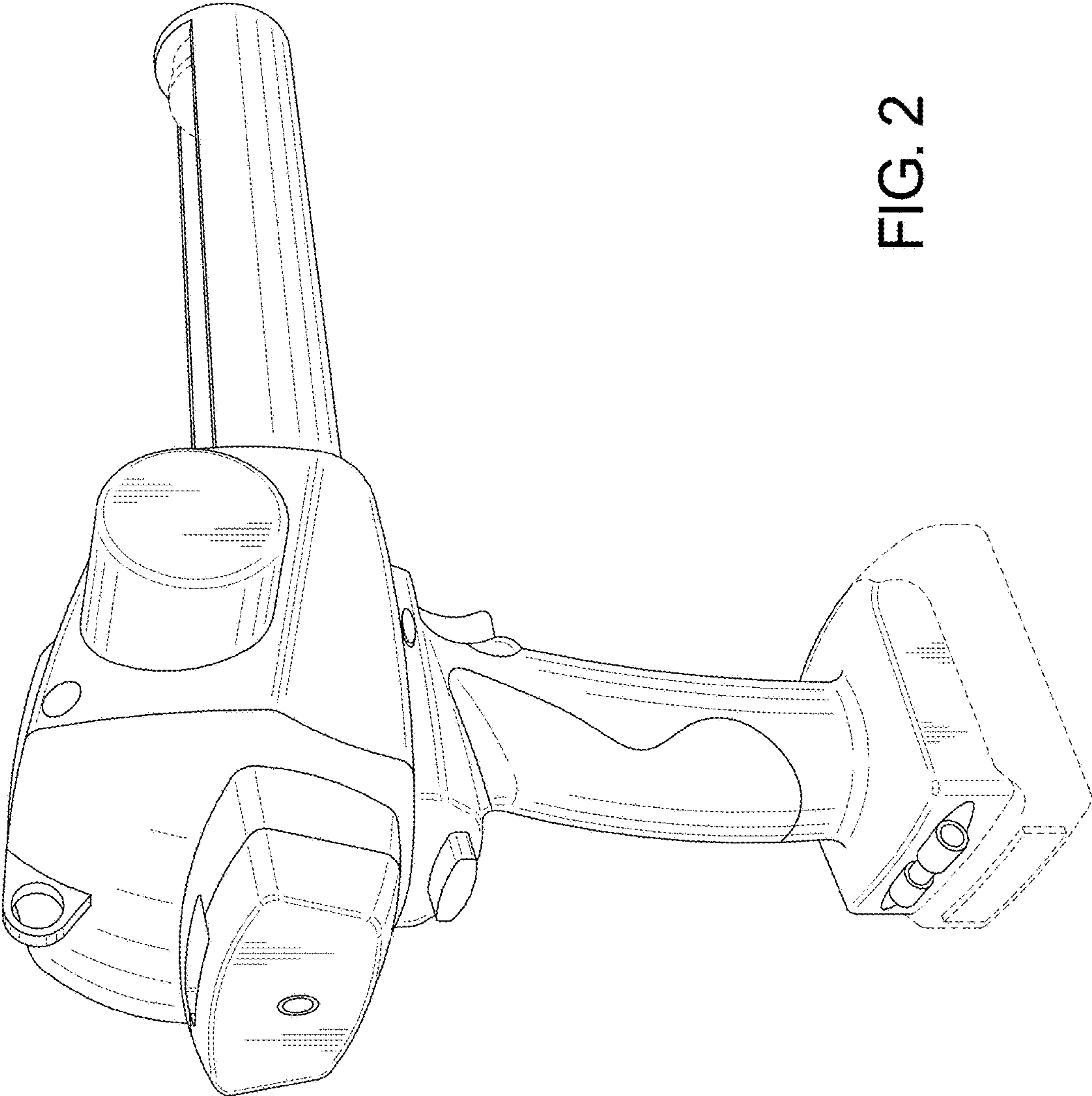


FIG. 2

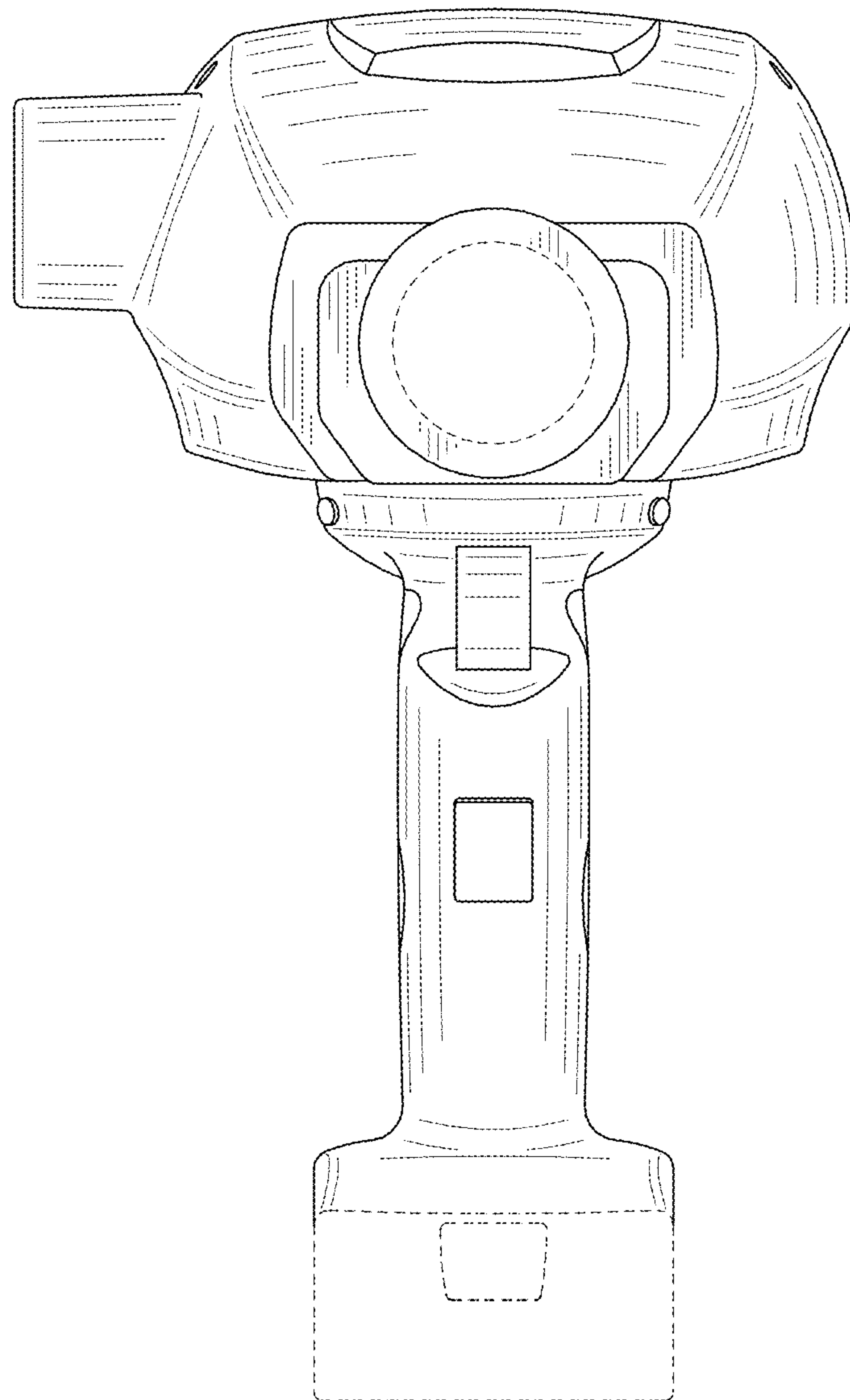


FIG. 3

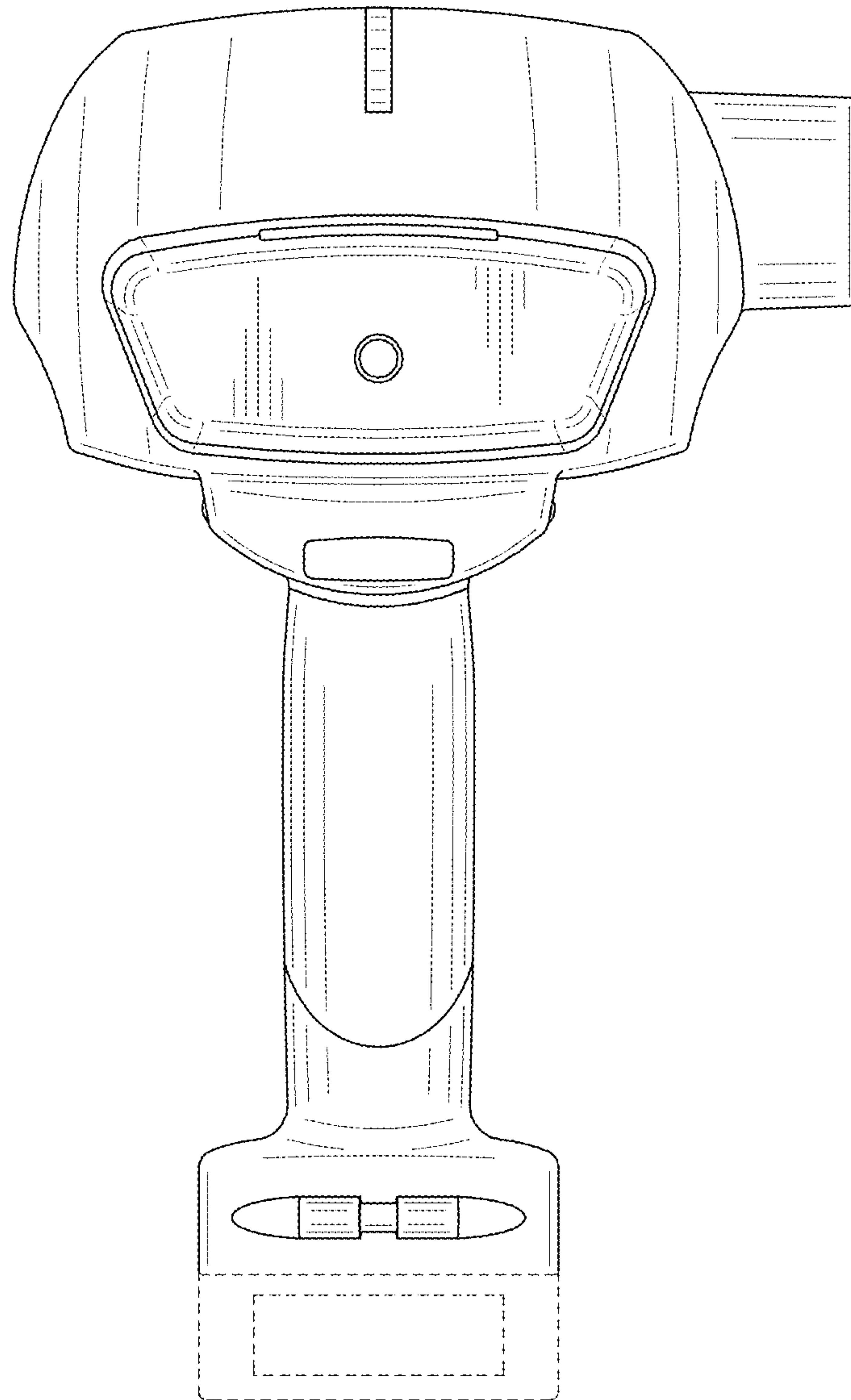


FIG. 4



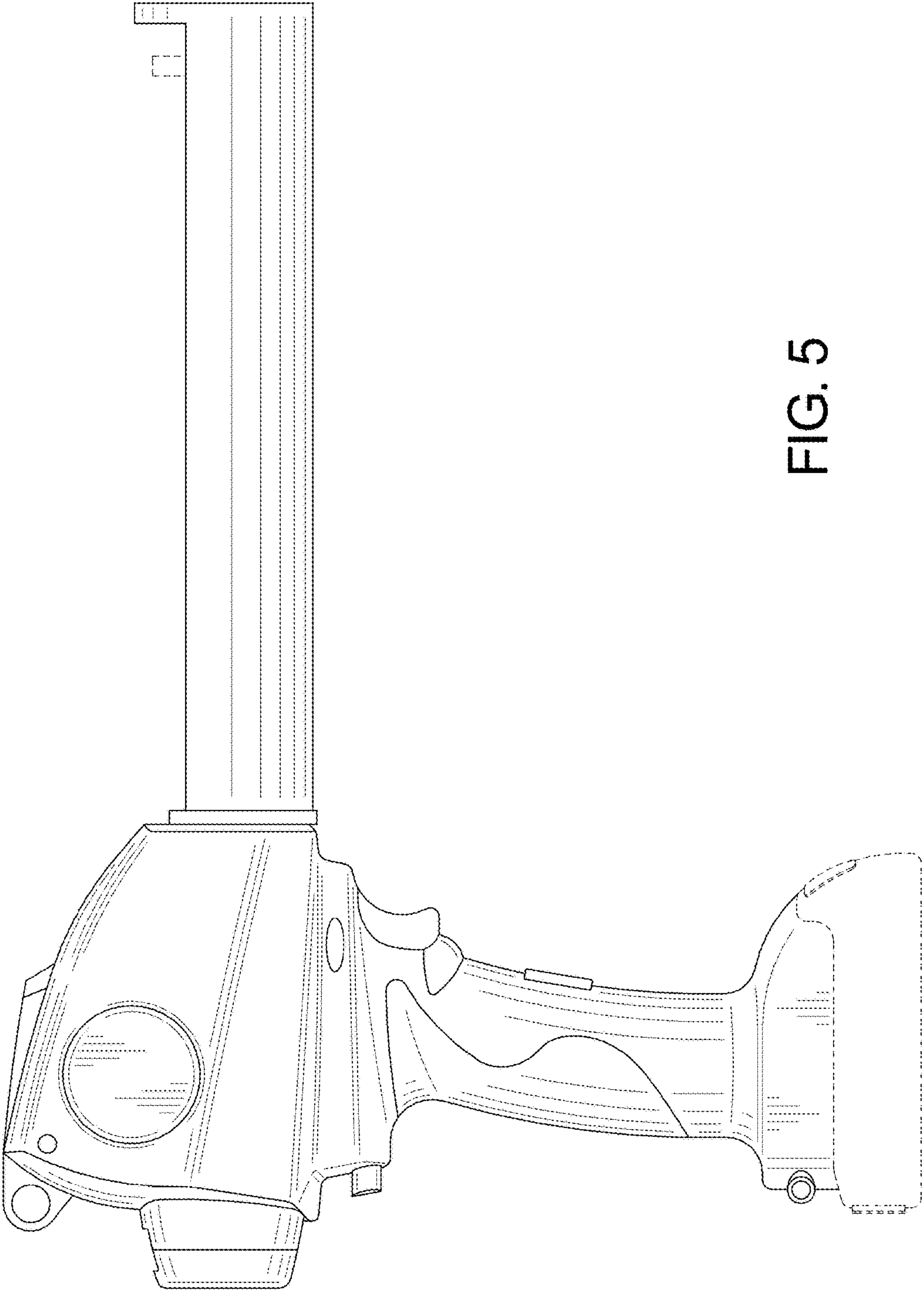


FIG. 5

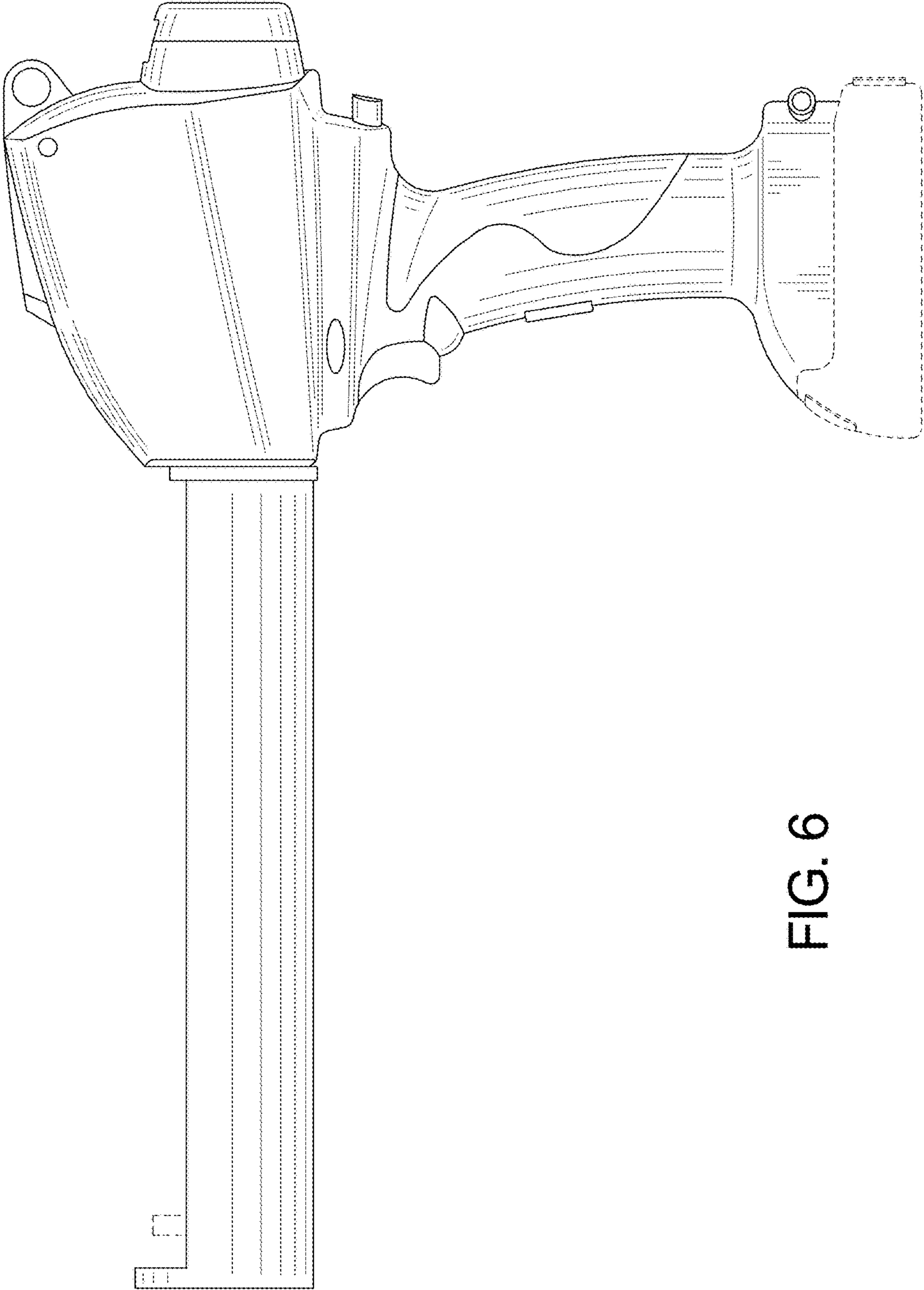


FIG. 6

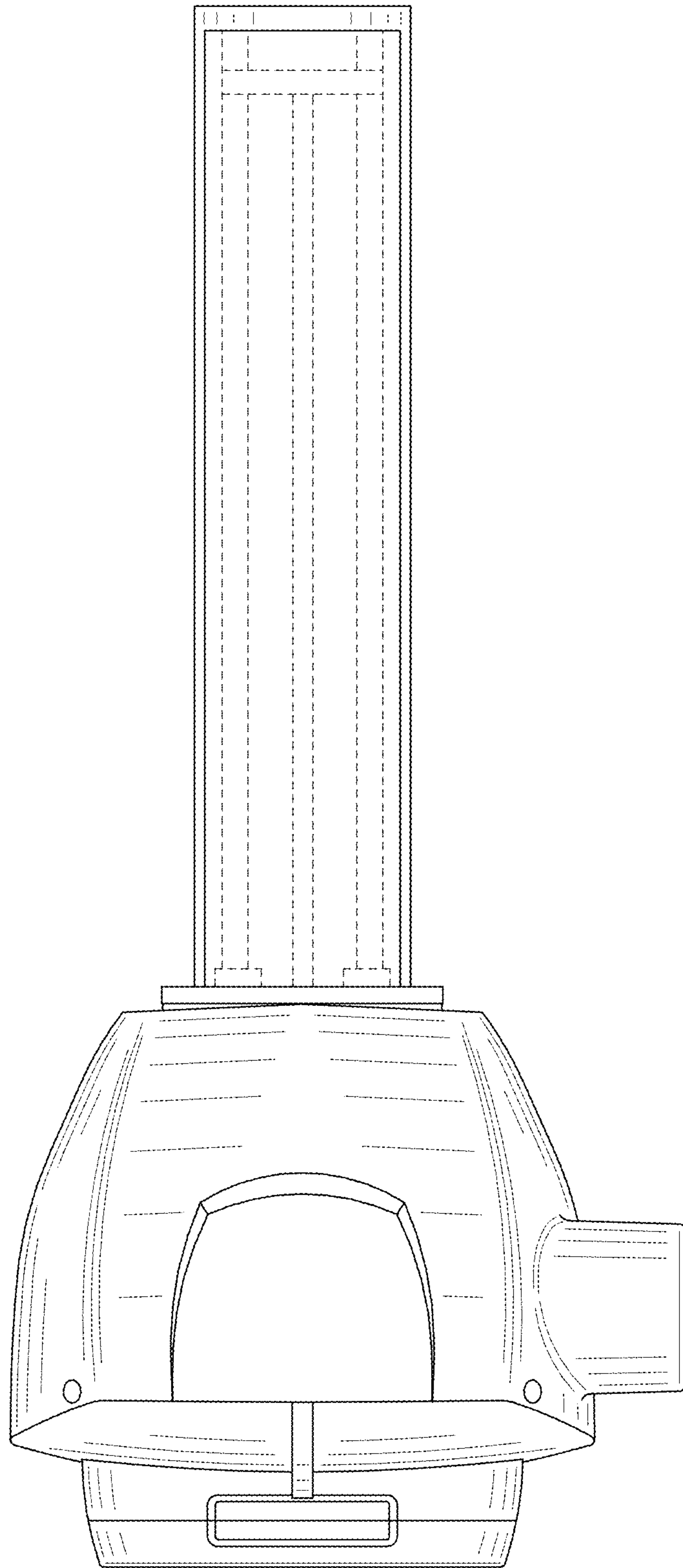


FIG. 7



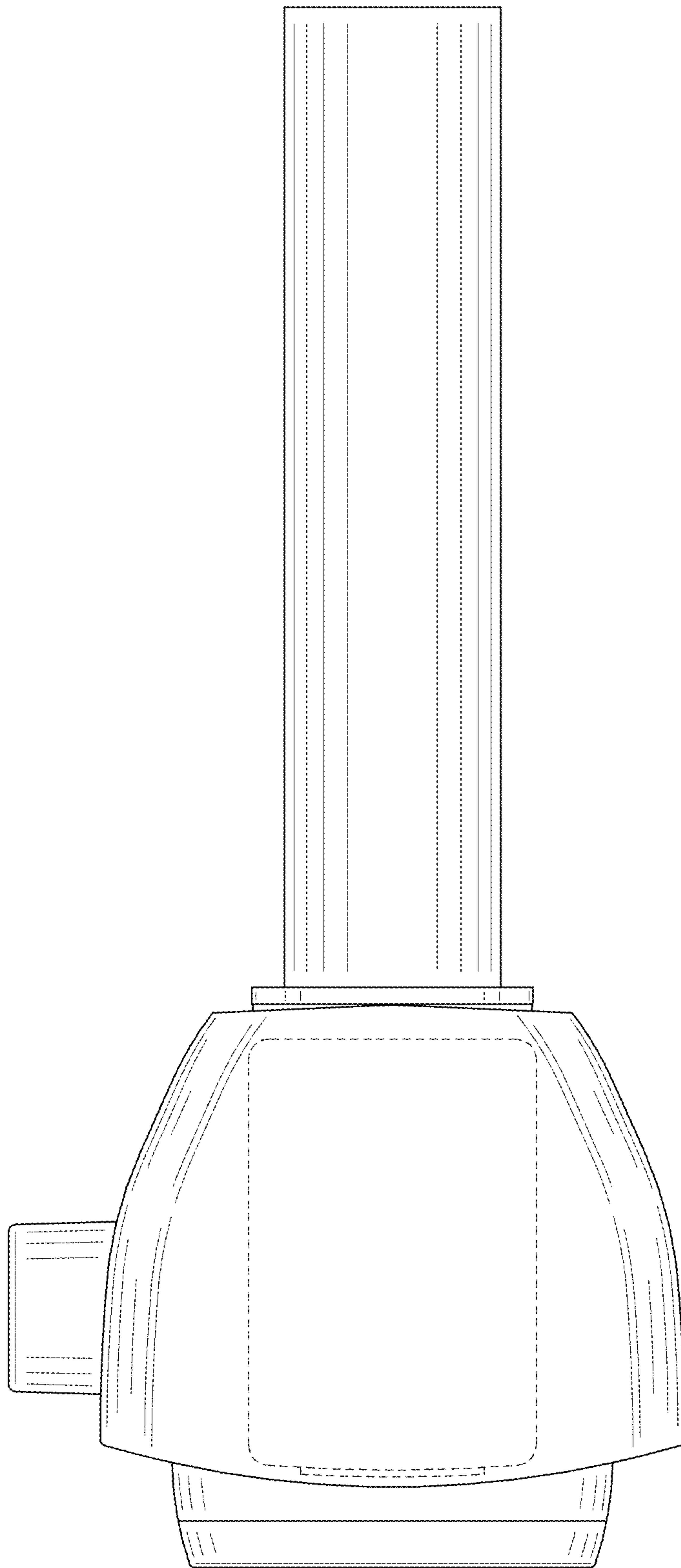


FIG. 8

UNITED STATES PATENT AND TRADEMARK OFFICE  
**CERTIFICATE OF CORRECTION**

PATENT NO. : D845,095 S  
APPLICATION NO. : 29/495430  
DATED : April 9, 2019  
INVENTOR(S) : Juan Almajid

Page 1 of 1

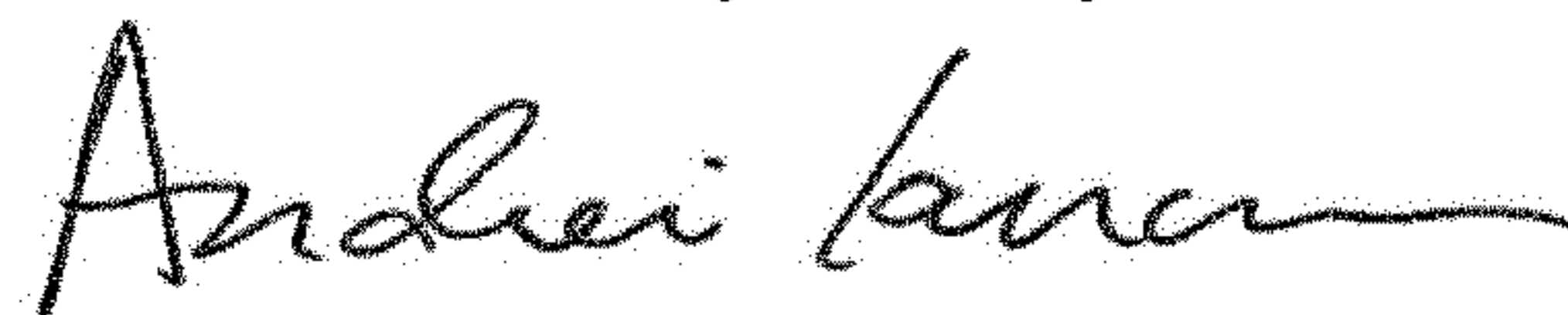
It is certified that error appears in the above-identified patent and that said Letters Patent is hereby corrected as shown below:

On the Title Page

The following is added:

(30) Foreign Application Priority Data  
January 7, 2014 (EU) ..... 002381236

Signed and Sealed this  
Second Day of July, 2019



Andrei Iancu  
*Director of the United States Patent and Trademark Office*