



US00D845094S

(12) **United States Design Patent** (10) **Patent No.:** **US D845,094 S**
Chiu (45) **Date of Patent:** **** Apr. 9, 2019**

(54) **UPHOLSTERY TOOL** D567,052 S * 4/2008 Vandenberghe D8/47
7,735,806 B2 * 6/2010 Prater B25B 27/00
254/25
(71) Applicant: **CHILI DEVELOPMENT CO., LTD,** D628,866 S * 12/2010 Serret D8/17
Taichung (TW) D642,027 S * 7/2011 Serret D8/17
(72) Inventor: **Ming Feng Chiu, Taichung (TW)** D672,625 S * 12/2012 Serret D8/17
8,365,378 B1 * 2/2013 Lenart B25B 33/00
29/253
(73) Assignee: **Chili Development Co., Ltd., Taichung** D750,473 S * 3/2016 Albo D8/371
(TW) D801,146 S * 10/2017 Lenart D8/89

(**) Term: **15 Years**

OTHER PUBLICATIONS

(21) Appl. No.: **29/594,556**

VIM Upholstery Tool Set, Home Depot Website.*

(22) Filed: **Feb. 21, 2017**

* cited by examiner

(51) **LOC (11) Cl.** **08-05**

Primary Examiner — Philip S Hyder

(52) **U.S. Cl.** **D8/14**
USPC **D8/14**

(74) *Attorney, Agent, or Firm* — Alan D. Kamrath;
Kamrath IP Lawfirm, P.A.

(58) **Field of Classification Search**
USPC D8/14, 88, 89, 17, 19
CPC B25C 11/00; B25B 27/00; B25B 31/00;
B66F 15/00

(57) **CLAIM**

See application file for complete search history.

The ornamental design for an upholstery tool, as shown and described.

(56) **References Cited**

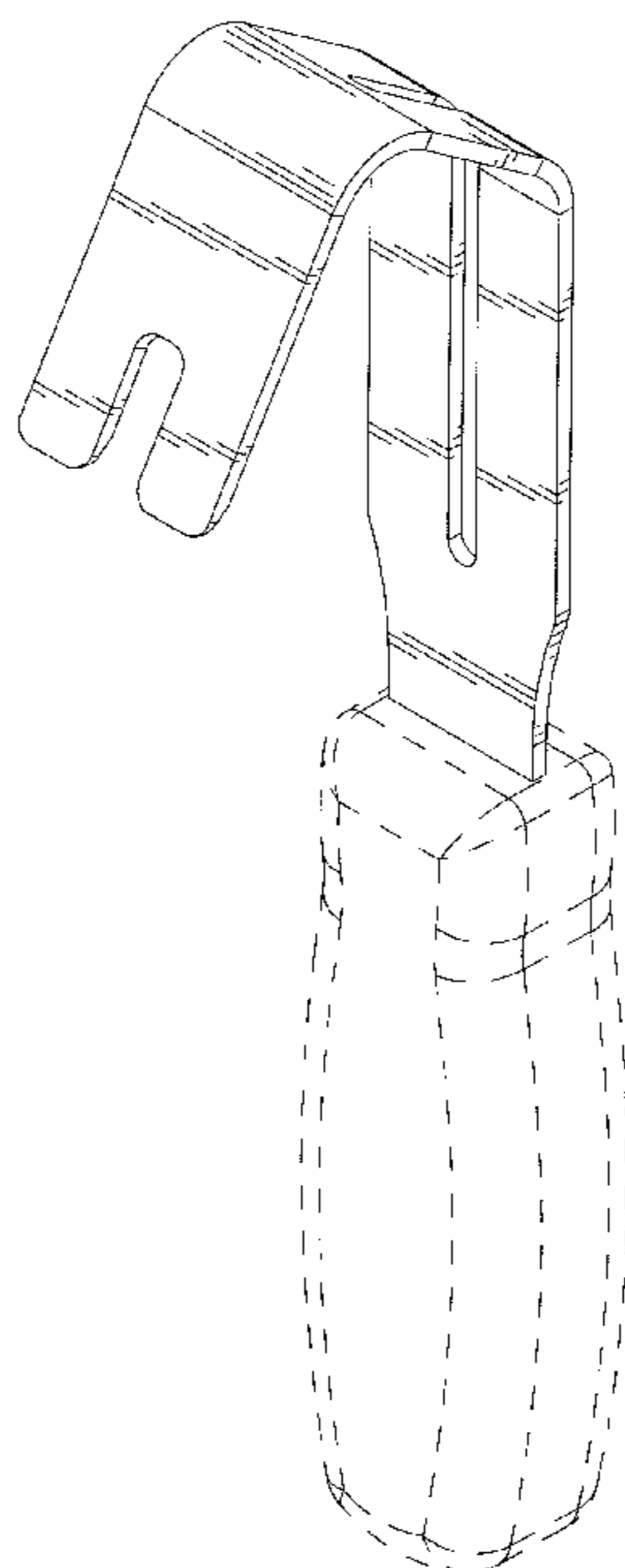
DESCRIPTION

U.S. PATENT DOCUMENTS

2,281,736 A * 5/1942 Wittenburg B68G 15/00
81/488
D255,320 S * 6/1980 Steck D8/89
5,695,171 A * 12/1997 Shine B25C 11/00
254/25
D416,178 S * 11/1999 Moore D8/16
D456,236 S * 4/2002 Norton D8/14
D459,187 S * 6/2002 Norton D8/14
D465,389 S * 11/2002 Norton D8/14
6,786,472 B1 * 9/2004 Dahl B25B 31/00
254/25
D511,287 S * 11/2005 Lake D8/14

FIG. 1 is a perspective view of an upholstery tool showing my new design;
FIG. 2 is a front view thereof;
FIG. 3 is a rear view thereof;
FIG. 4 is a left view thereof;
FIG. 5 is a right view thereof;
FIG. 6 is a top view thereof; and,
FIG. 7 is a bottom view thereof.

1 Claim, 7 Drawing Sheets



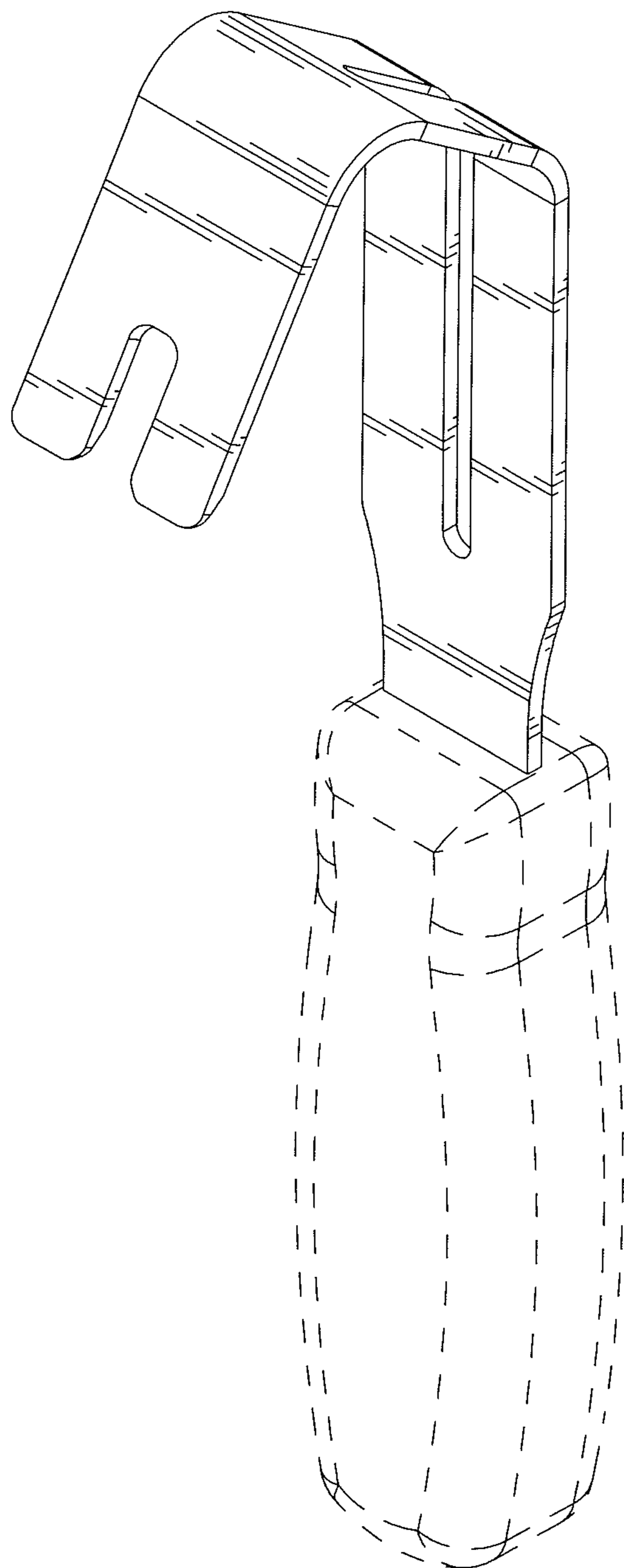


FIG. 1

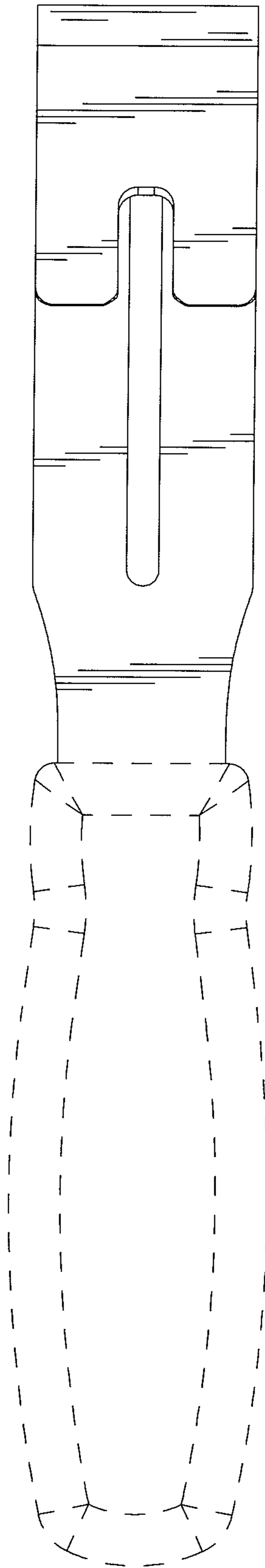


FIG. 2

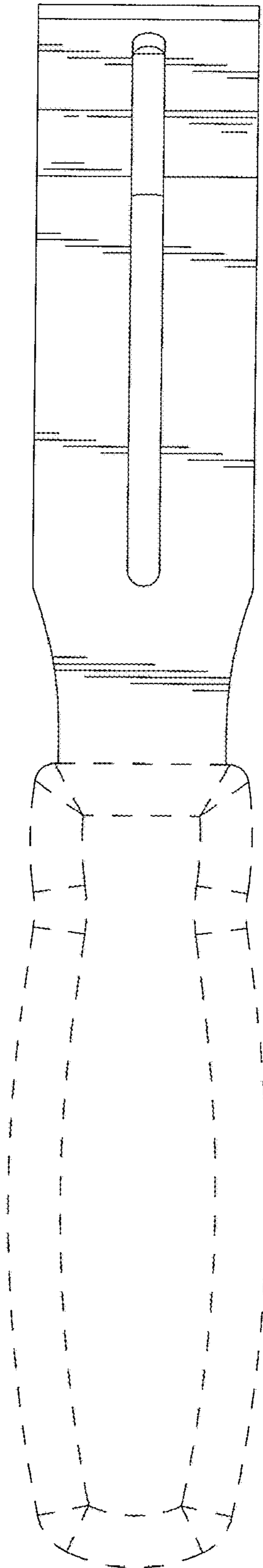


FIG. 3

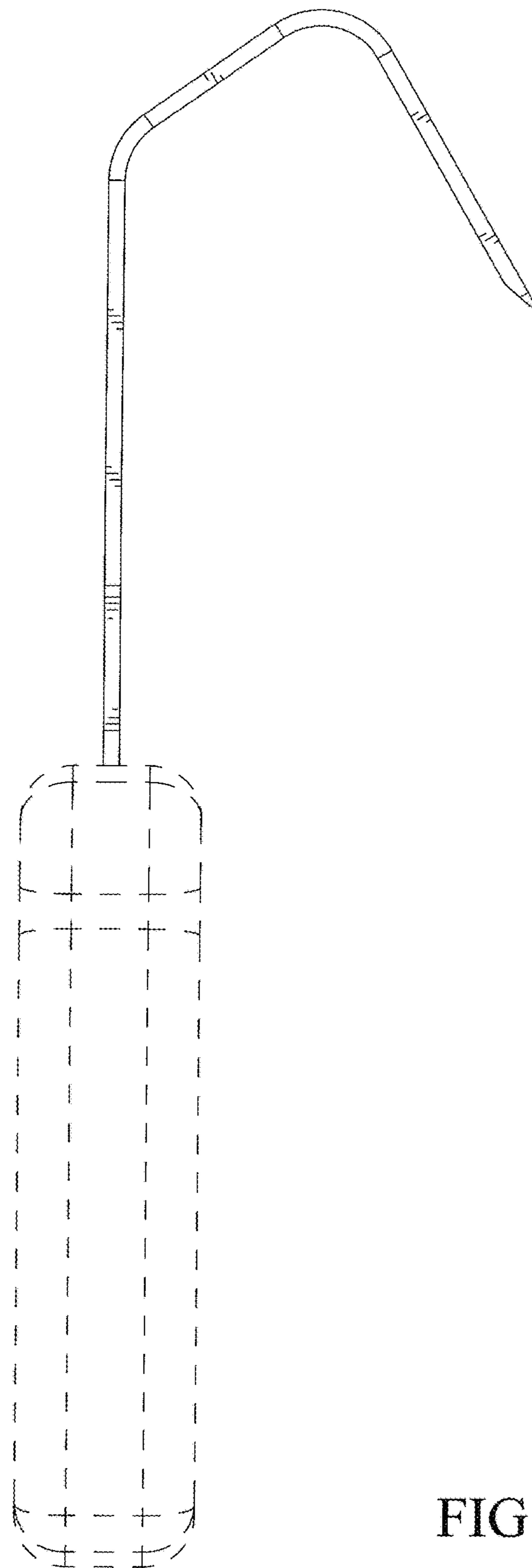


FIG. 4

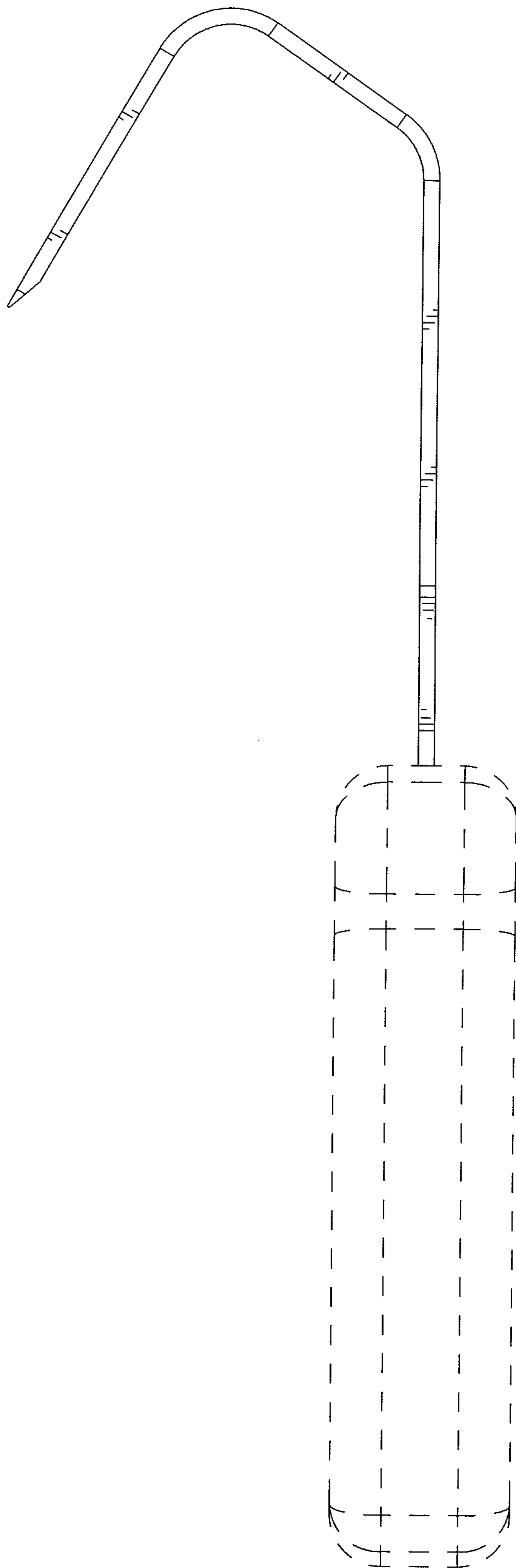


FIG. 5

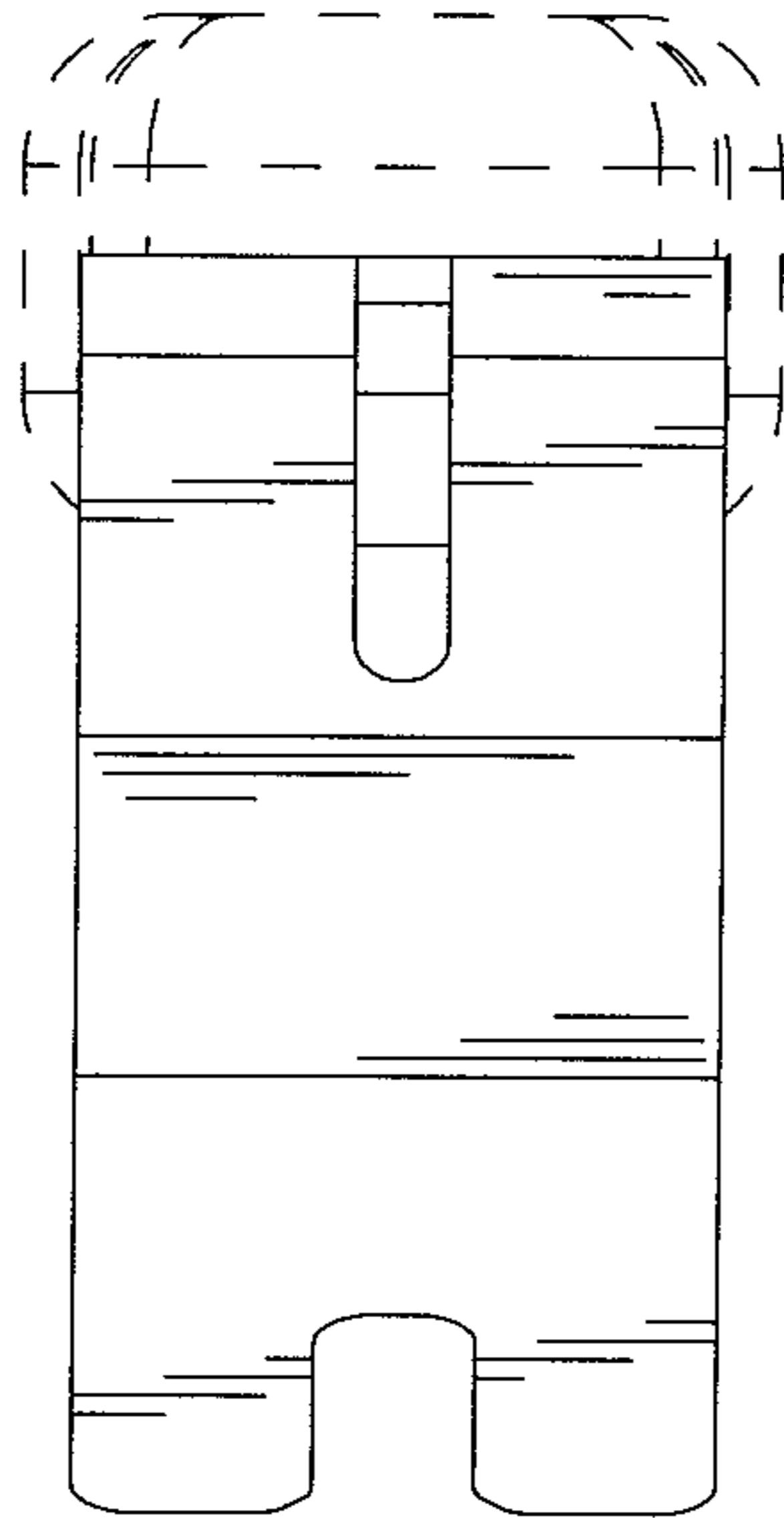


FIG. 6

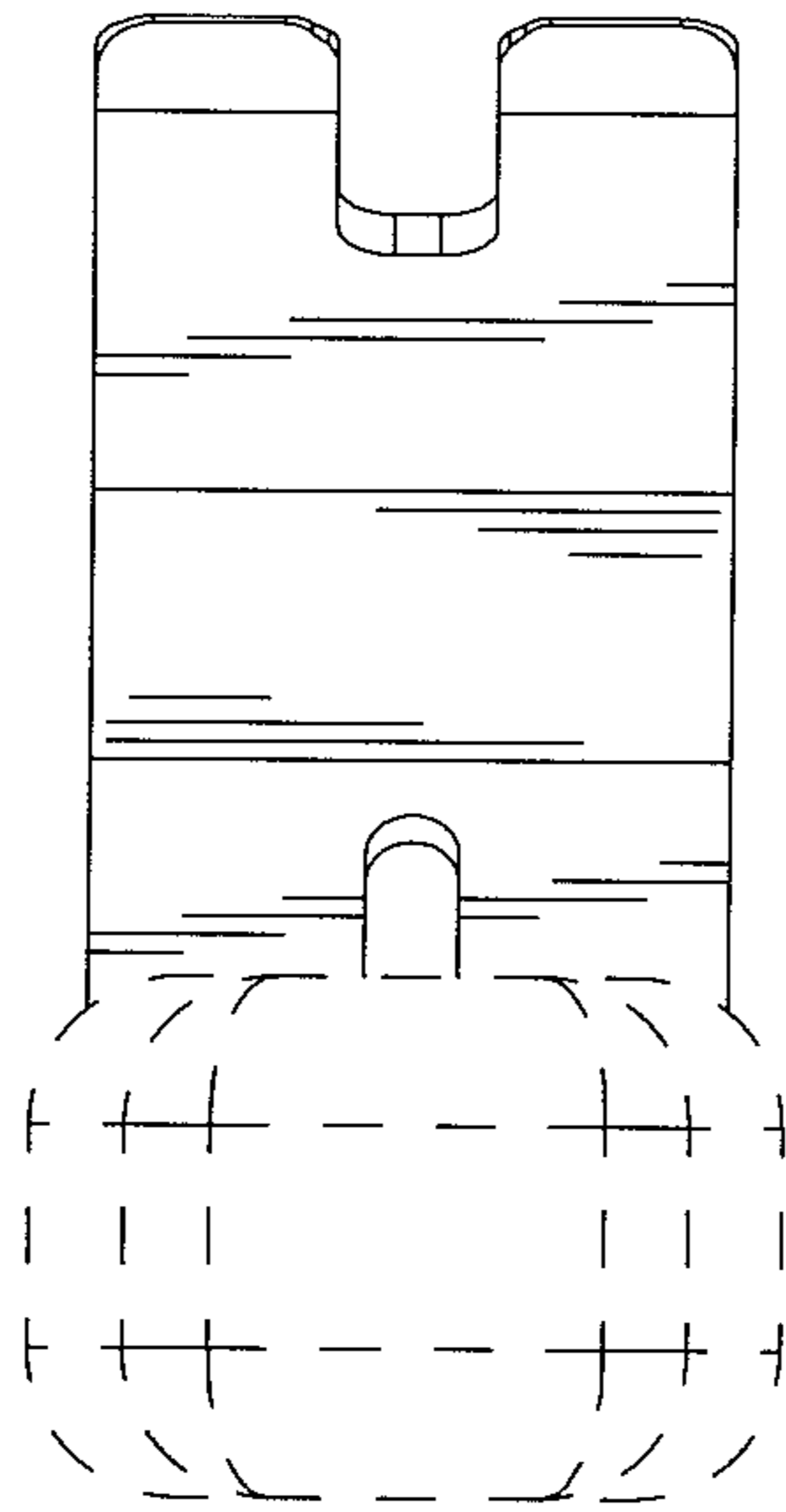


FIG. 7