



US00D845093S

(12) **United States Design Patent**
Magana et al.

(10) **Patent No.:** **US D845,093 S**

(45) **Date of Patent:** **** Apr. 9, 2019**

(54) **CULTIVATOR**
(71) Applicant: **CORONA CLIPPER, INC.**, Corona, CA (US)
(72) Inventors: **Anthony Magana**, Riverside, CA (US); **James J. Wolf**, Waconia, MN (US); **Kevin Michael Kroeger**, Anthem, AZ (US); **O’Ryan Lopez**, Fontana, CA (US); **Estevan Jose Silvas, Jr.**, Corona, CA (US); **Craig Steven Agney**, Minneapolis, MN (US)

2,881,846 A * 4/1959 Stromberg A01B 1/06
172/350
3,340,937 A * 9/1967 Vanderveer A01B 1/06
172/350
D251,768 S * 5/1979 Dellinger D8/7
D268,000 S * 2/1983 Dellinger D8/8
D273,656 S * 5/1984 Dellinger D8/8
D299,204 S * 1/1989 Nappi D15/28
D346,938 S * 5/1994 Tucker D8/13
5,632,342 A * 5/1997 Knoblich A01B 1/243
111/91
7,735,573 B2 * 6/2010 Catalano A01B 1/243
172/349
D640,906 S * 7/2011 Hsu D8/8
D642,024 S * 7/2011 Hsu D8/8
2008/0128147 A1 * 6/2008 Lynch A01B 1/00
172/349

(73) Assignee: **Corona Clipper, Inc.**, Corona, CA (US)

(**) Term: **15 Years**

* cited by examiner

(21) Appl. No.: **29/613,517**

Primary Examiner — Sheryl Lane

(22) Filed: **Aug. 10, 2017**

(51) **LOC (11) Cl.** **08-01**

(52) **U.S. Cl.**
USPC **D8/1**

(57) **CLAIM**

The ornamental design for a cultivator, as shown and described.

(58) **Field of Classification Search**
USPC D8/1, 6, 7, 11, 13, 9, 8; D15/11
CPC A01B 1/14; A01B 1/22; A01B 1/06; A01B 1/243; A01B 1/20; A01G 20/30
See application file for complete search history.

DESCRIPTION

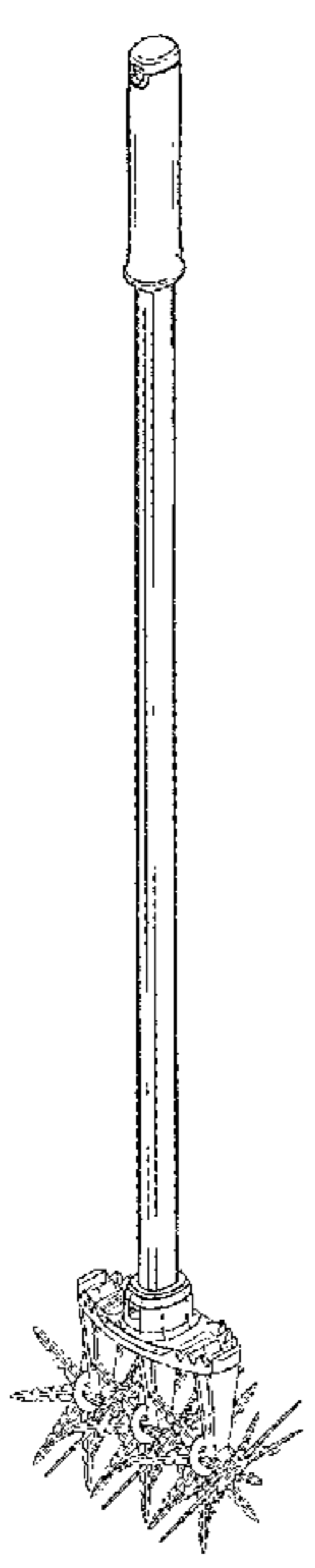
FIG. 1 is a left side perspective view of a cultivator showing my new design;
FIG. 2 is a front elevational view thereof;
FIG. 3 is a back elevational view thereof;
FIG. 4 is a left side elevational view thereof;
FIG. 5 is a right side elevational view thereof;
FIG. 6 is a top plan view thereof;
FIG. 7 is a bottom plan view thereof; and,
FIG. 8 is an enlarged view of the head of the cultivator shown in FIG. 1.

(56) **References Cited**

U.S. PATENT DOCUMENTS

2,188,644 A * 1/1940 Short A01B 1/06
172/349
D173,546 S * 11/1954 Stromberg 452/145
2,748,683 A * 6/1956 Baird A01B 1/14
172/350

1 Claim, 5 Drawing Sheets



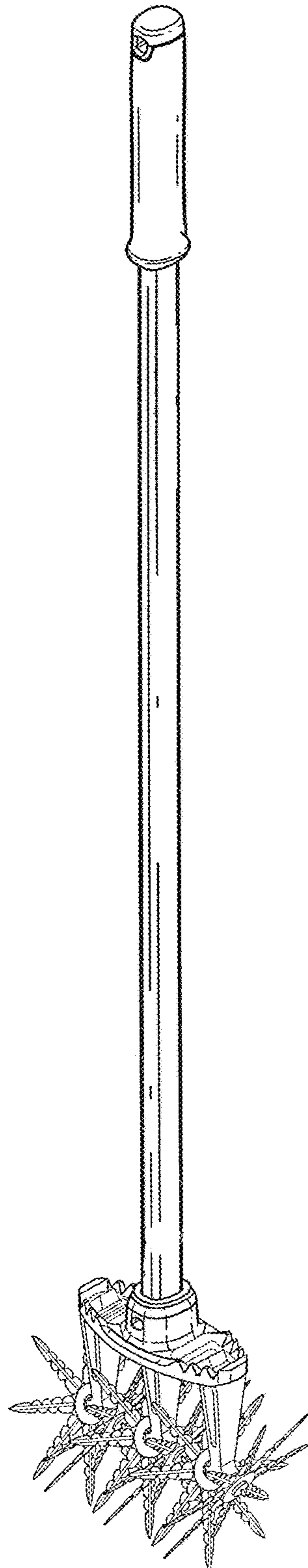


FIG. 1

FIG. 2

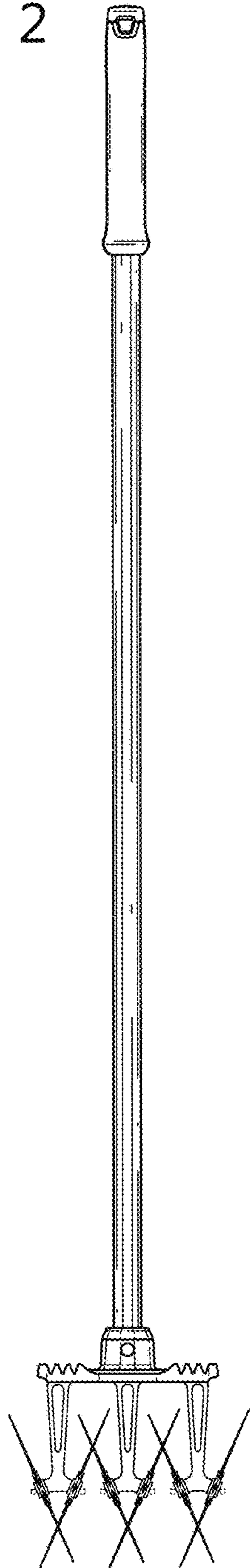


FIG. 3

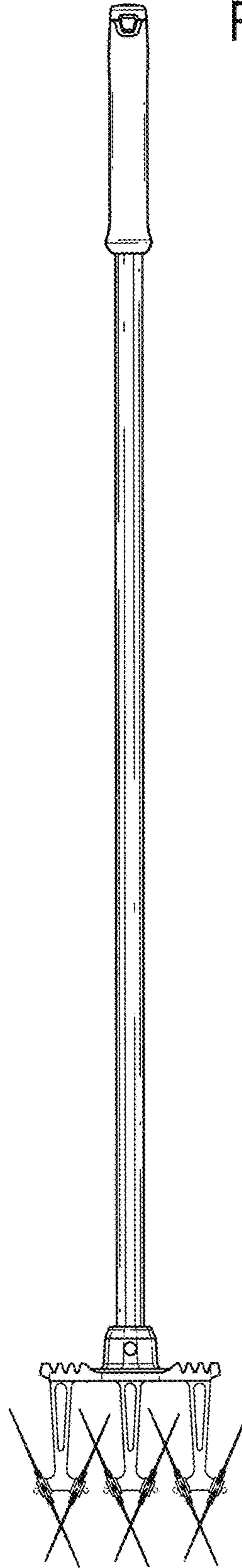


FIG. 4

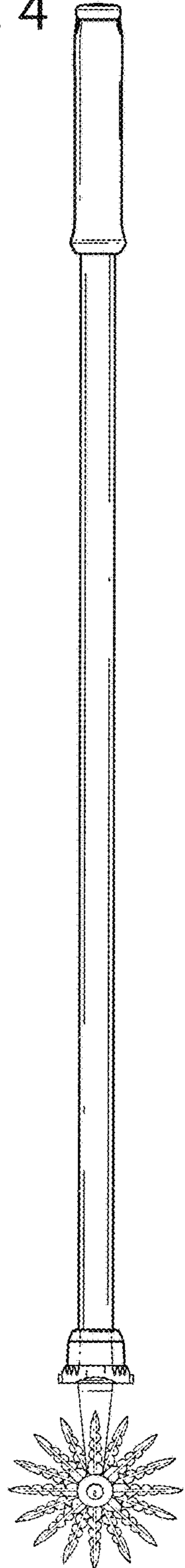
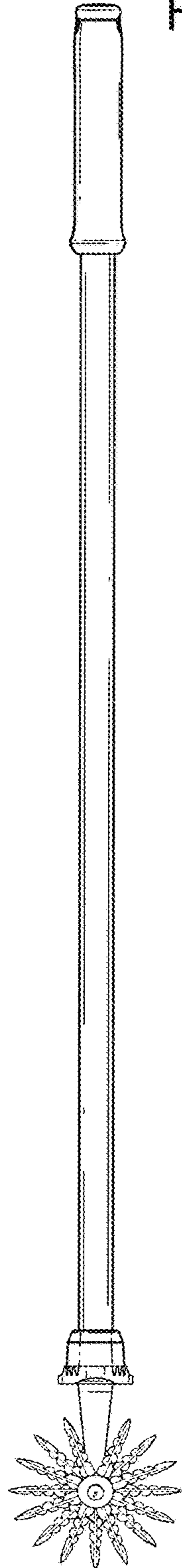


FIG. 5



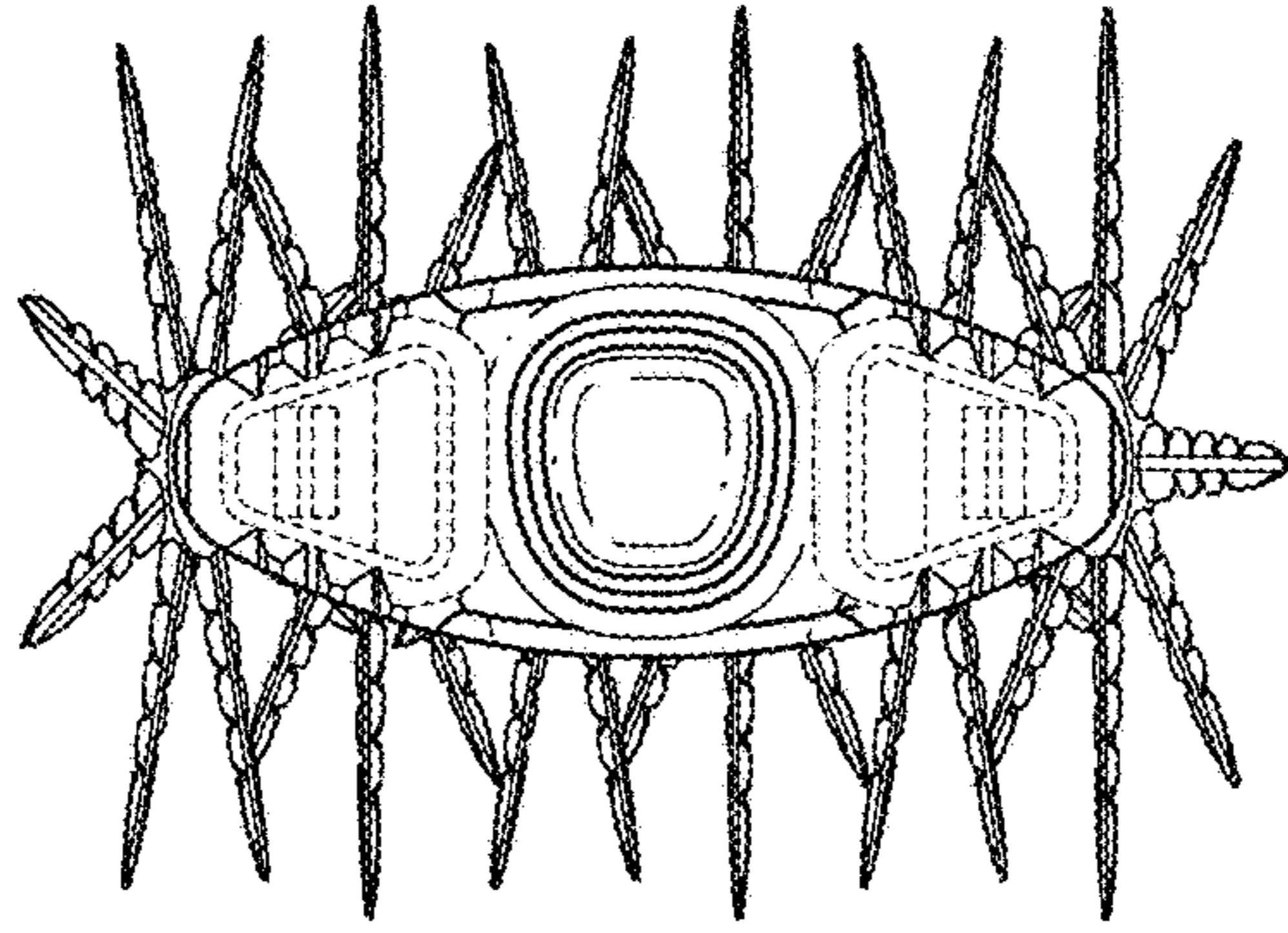


FIG. 6

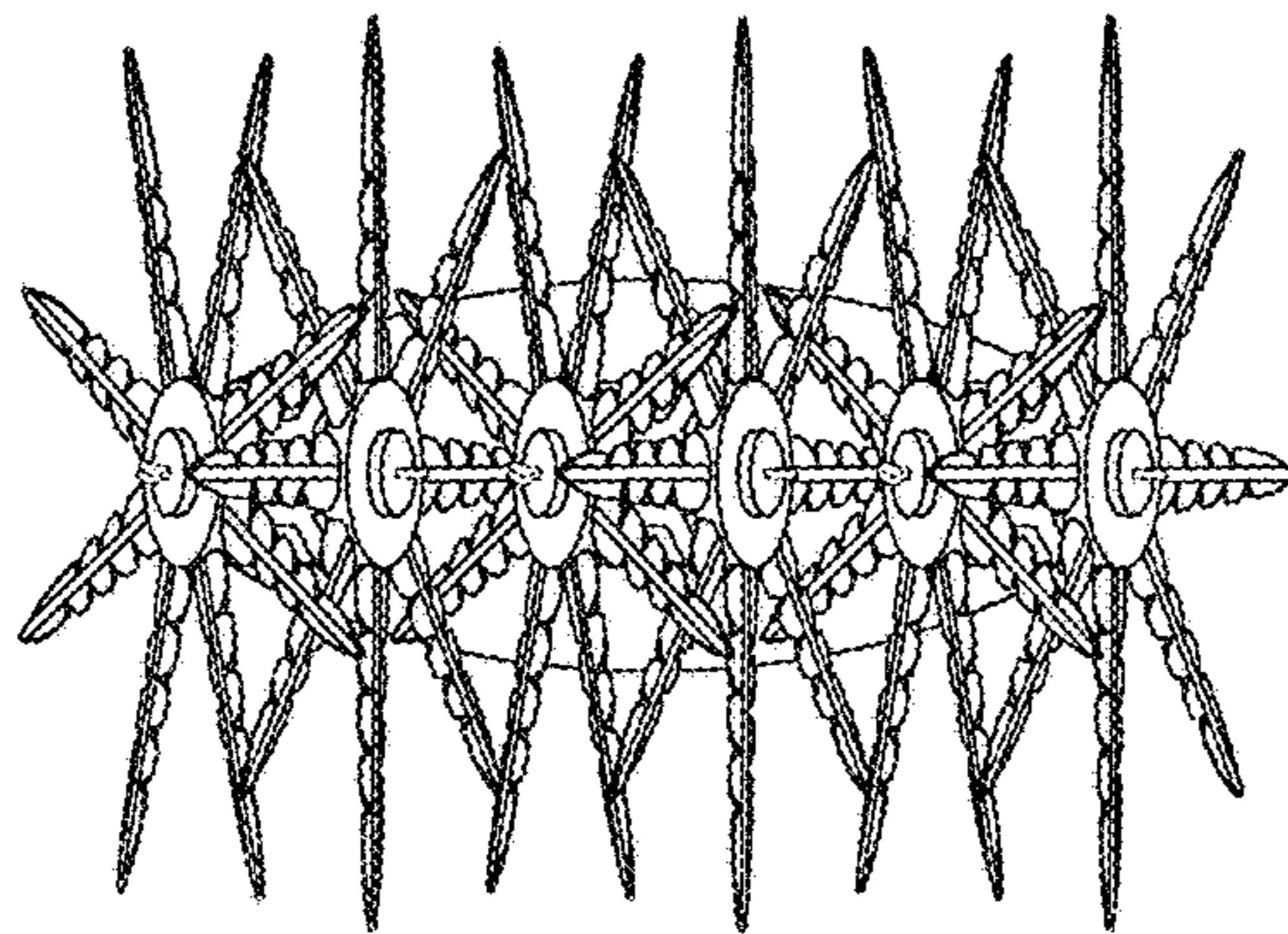


FIG. 7

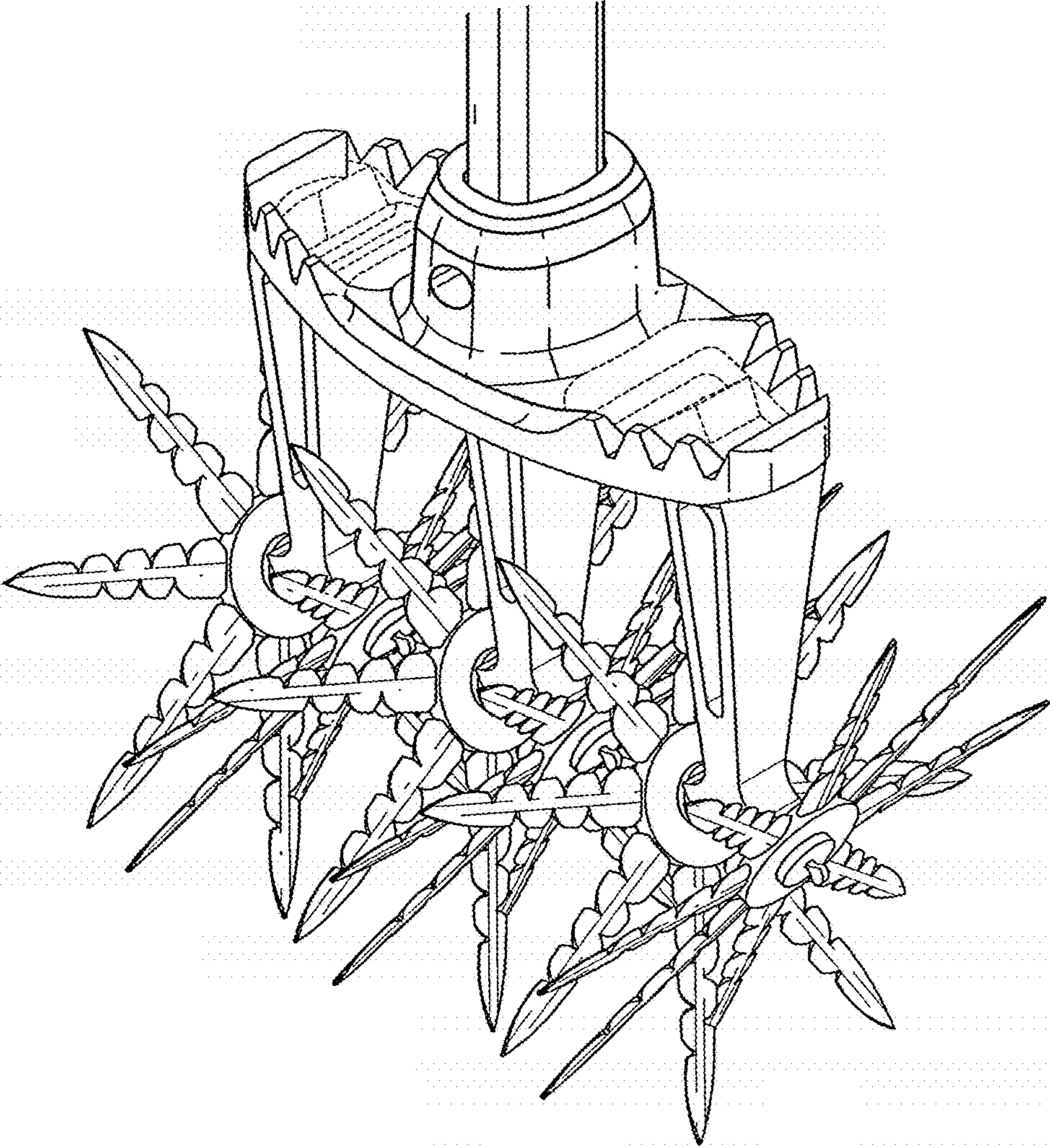


FIG. 8