



US00D845089S

(12) **United States Design Patent**
Williams

(10) **Patent No.:** **US D845,089 S**

(45) **Date of Patent:** **** Apr. 9, 2019**

- (54) **FOOD EXTRUSION DIE**
- (71) Applicant: **Frito-Lay North America, Inc.**, Plano, TX (US)
- (72) Inventor: **Rogers Williams**, McKinney, TX (US)
- (73) Assignee: **Frito-Lay North America, Inc.**, Plano, TX (US)

(**) Term: **15 Years**

(21) Appl. No.: **29/583,970**

(22) Filed: **Nov. 10, 2016**

(51) **LOC (11) Cl.** **07-04**

(52) **U.S. Cl.**
USPC **D7/672**

(58) **Field of Classification Search**
USPC D7/672-677, 354, 357, 414; D15/90, 80; 30/316; 426/516
CPC F25C 1/04; F25C 1/22; F25C 1/24; A21B 3/13; B23G 9/26; B23G 9/503; B23G 9/221; B23G 9/083; A23P 30/20; A23P 30/10; A22C 7/003; A47J 43/20
See application file for complete search history.

(56) **References Cited**

U.S. PATENT DOCUMENTS

- D322,736 S * 12/1991 Sutherland D7/412
- 5,230,156 A * 7/1993 Patenaude A47J 43/20 30/123.3
- D445,005 S * 7/2001 Vargas D7/675
- D445,315 S * 7/2001 Kapellas D7/675
- D447,020 S * 8/2001 Kapellas D7/675

- 7,585,531 B2 * 9/2009 Baumeister A23P 30/20 426/516
- D658,456 S * 5/2012 Zorovich D7/672
- D659,470 S * 5/2012 Narwankar D7/376
- D689,341 S * 9/2013 Dooley D7/675
- D689,342 S * 9/2013 Dooley D7/676
- D732,976 S * 6/2015 Ellsworth D9/661
- D742,692 S * 11/2015 Petrie D7/412
- 2005/0048180 A1 * 3/2005 Moore A23P 30/25 426/516
- 2012/0040078 A1 * 2/2012 Narwankar A23L 1/16 426/618

* cited by examiner

Primary Examiner — Brett Miller

(74) *Attorney, Agent, or Firm* — Collin P. Cahoon; Sammie S. Leigh; Carstens & Cahoon, LLP

(57) **CLAIM**

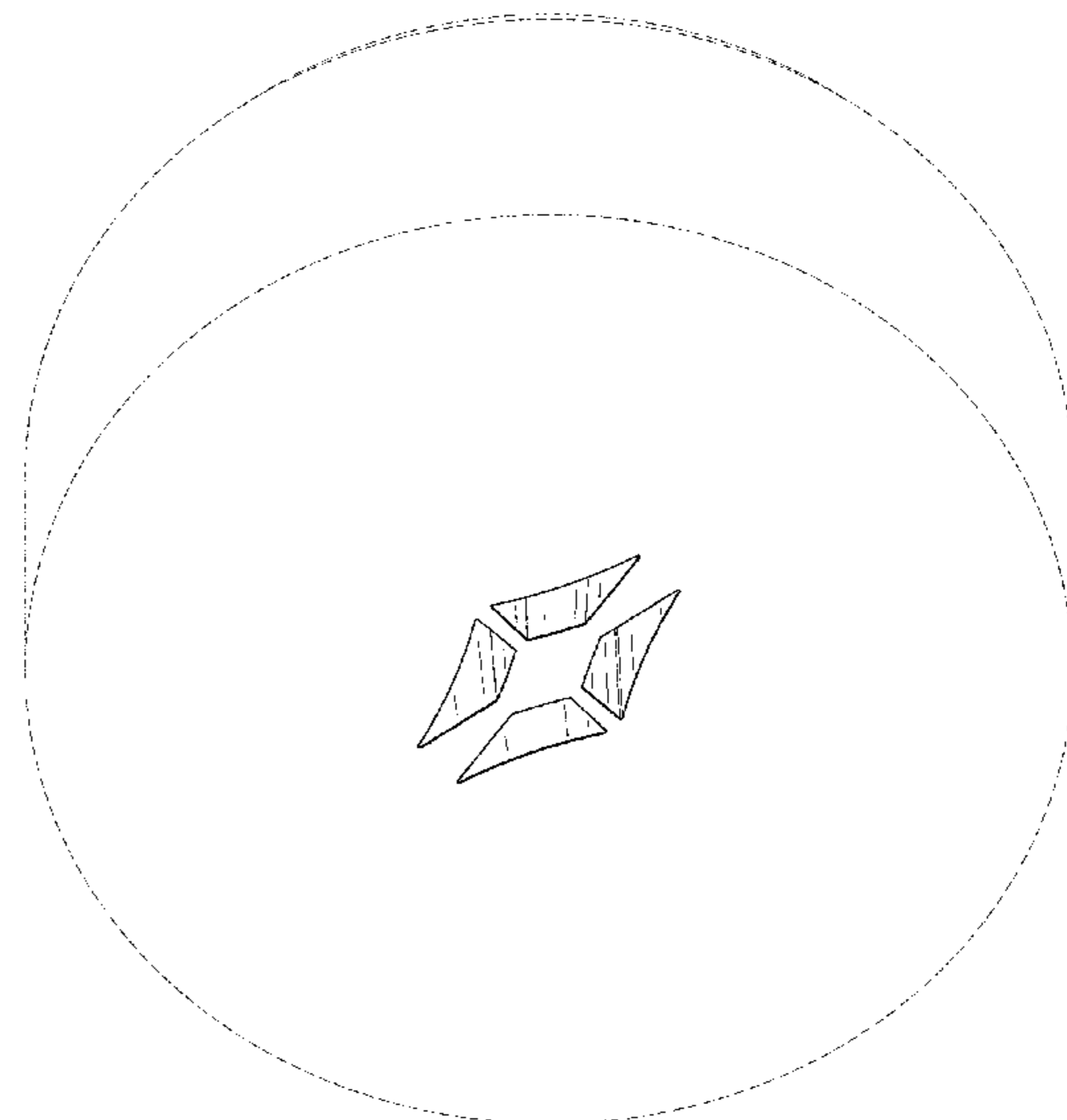
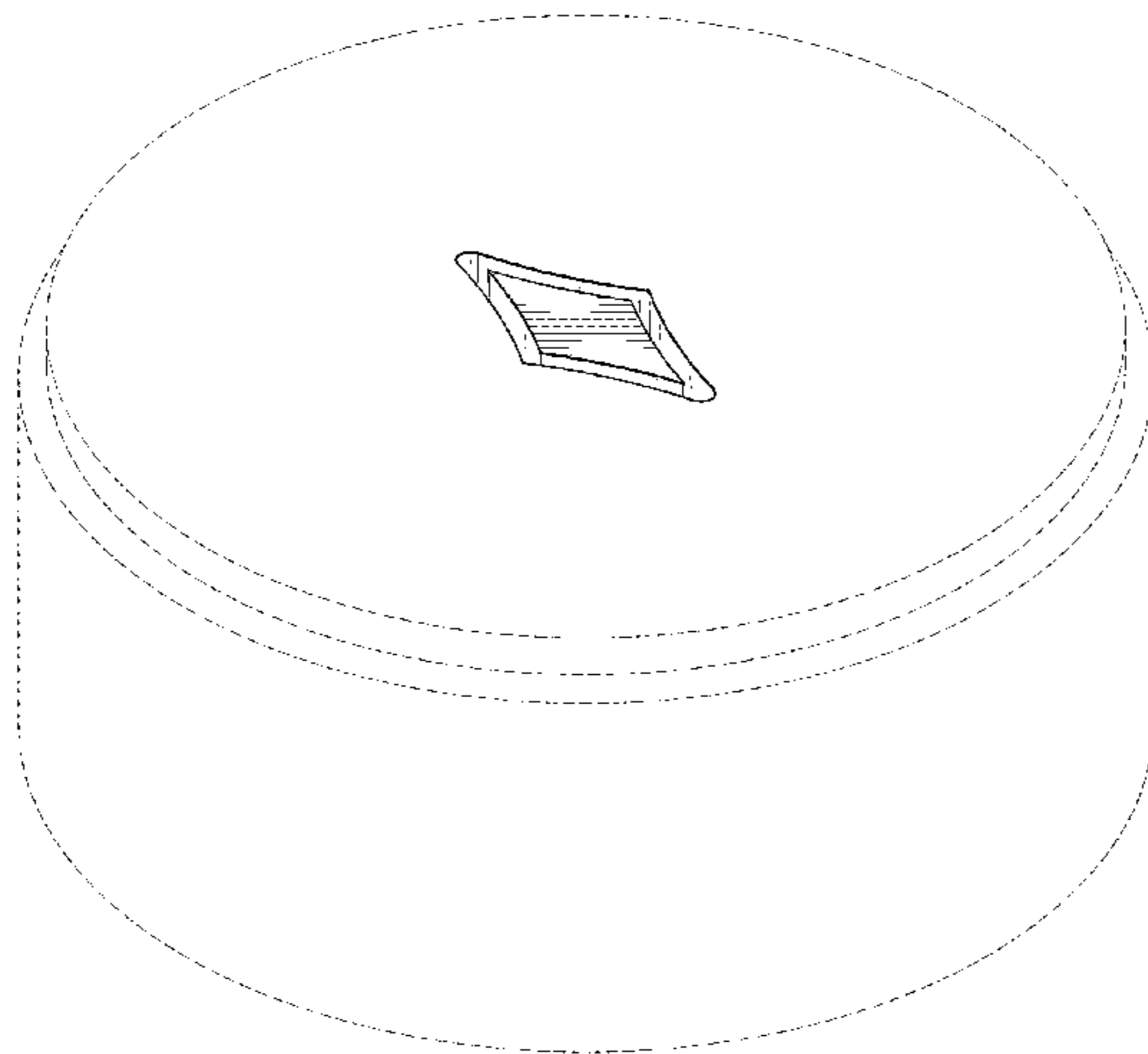
The ornamental design for a food extrusion die, as shown and described.

DESCRIPTION

FIG. 1 is a first top perspective view of the present invention; FIG. 2 is a second top perspective view of the present invention; FIG. 3 is a front elevation view of the present invention with the left elevation, right elevation, and rear elevation views identical to the front elevation view; FIG. 4 is a bottom plan view of the present invention; FIG. 5 is a first bottom perspective view of the present invention; and, FIG. 6 is a second bottom perspective view of the present invention.

The broken lines illustrate environmental features that form no part of the claimed design.

1 Claim, 6 Drawing Sheets



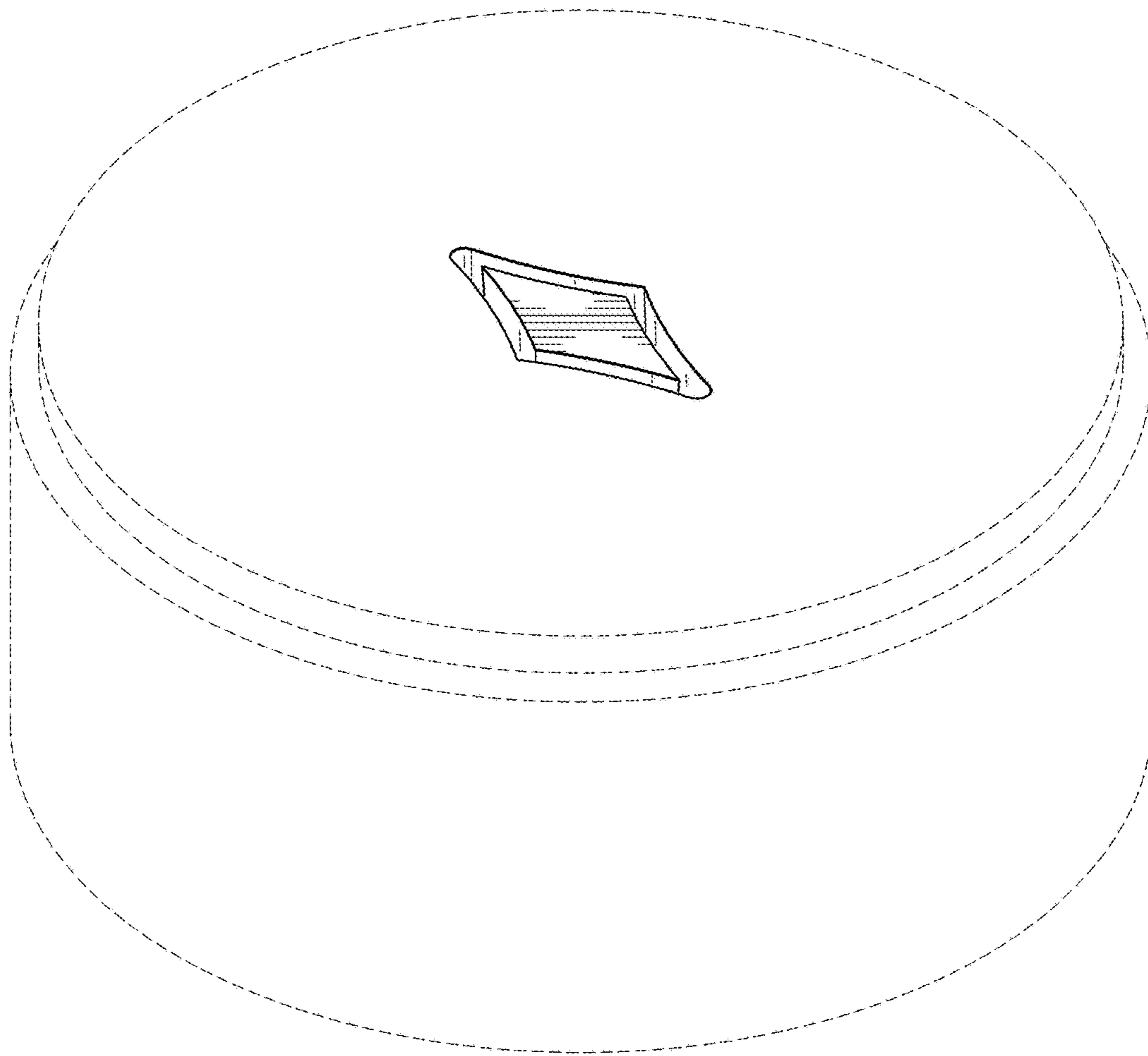


FIG. 1

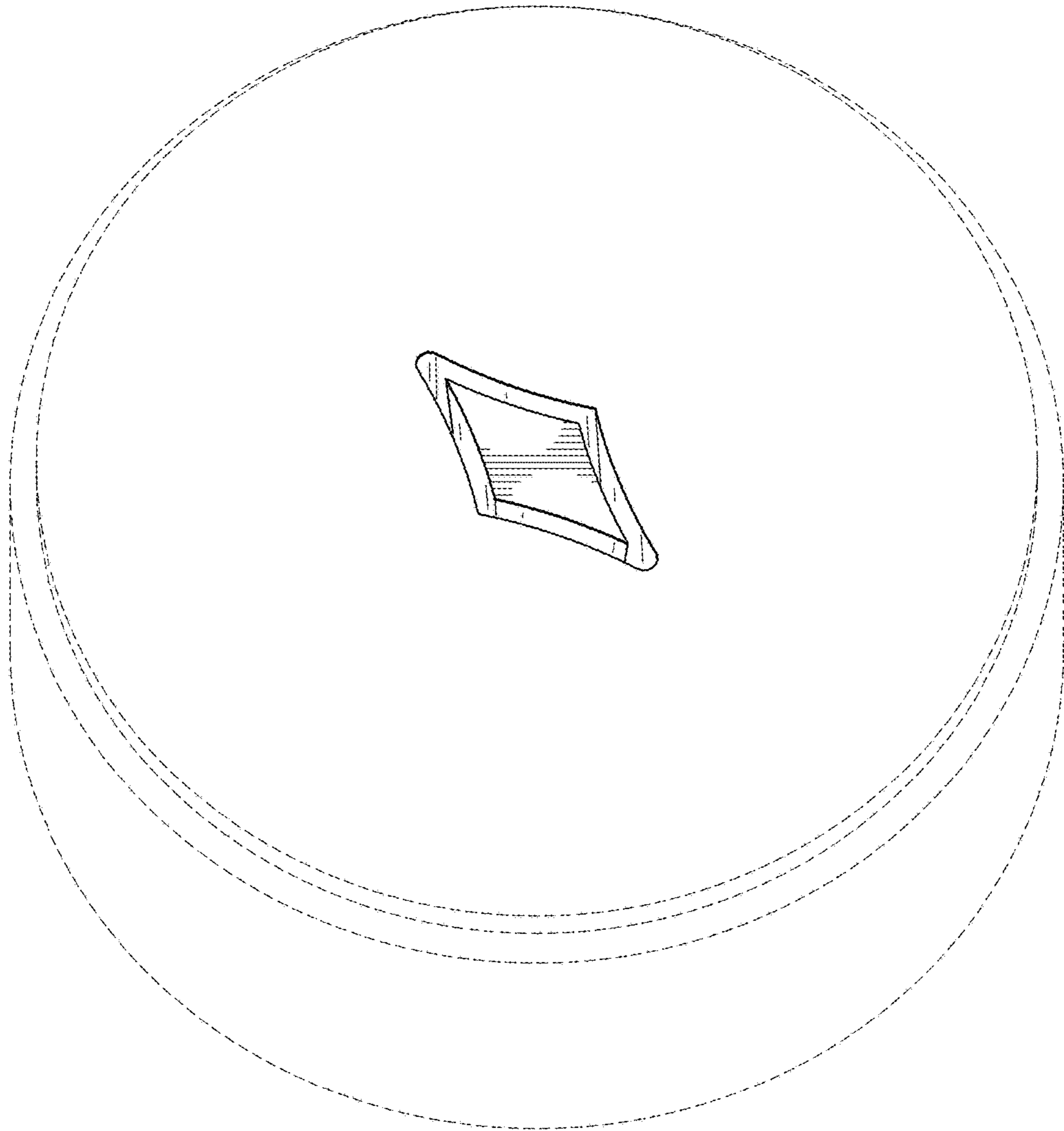


FIG. 2

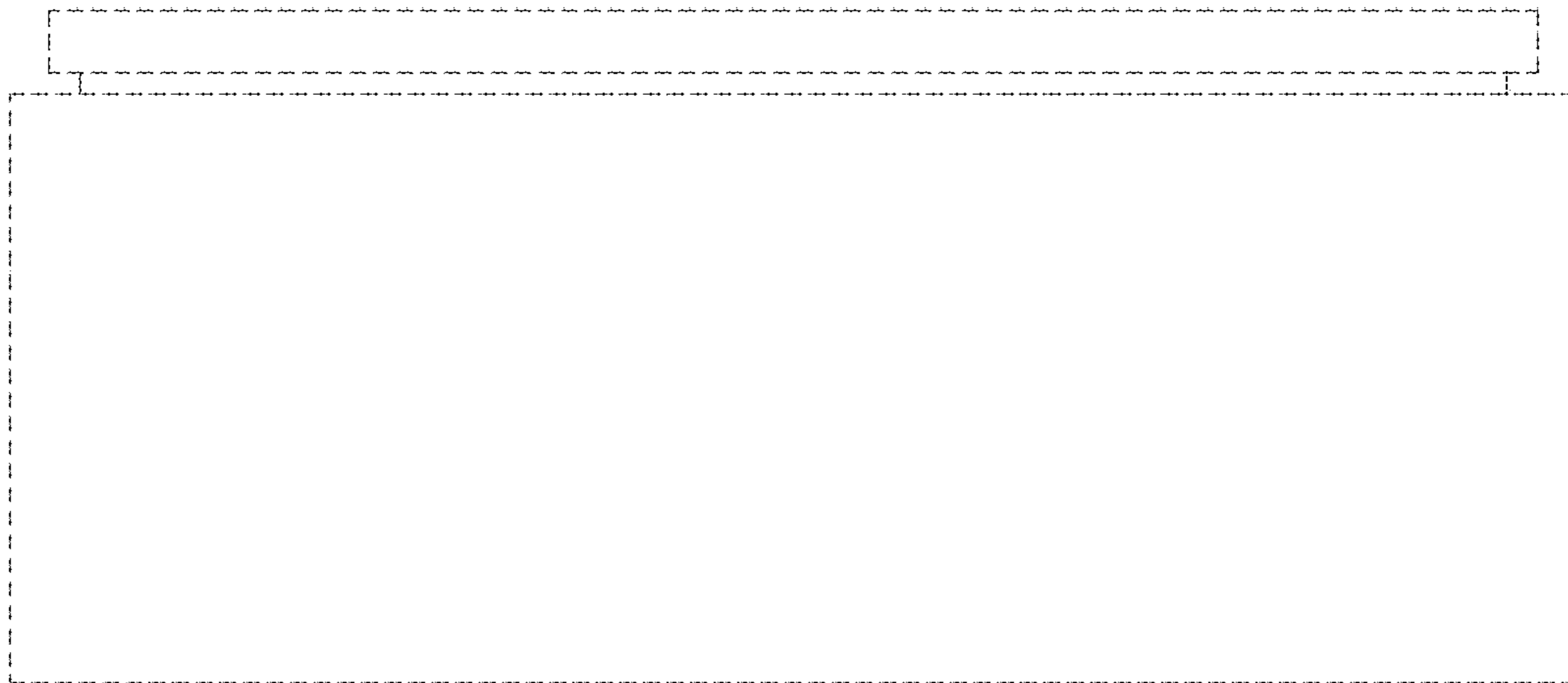


FIG. 3

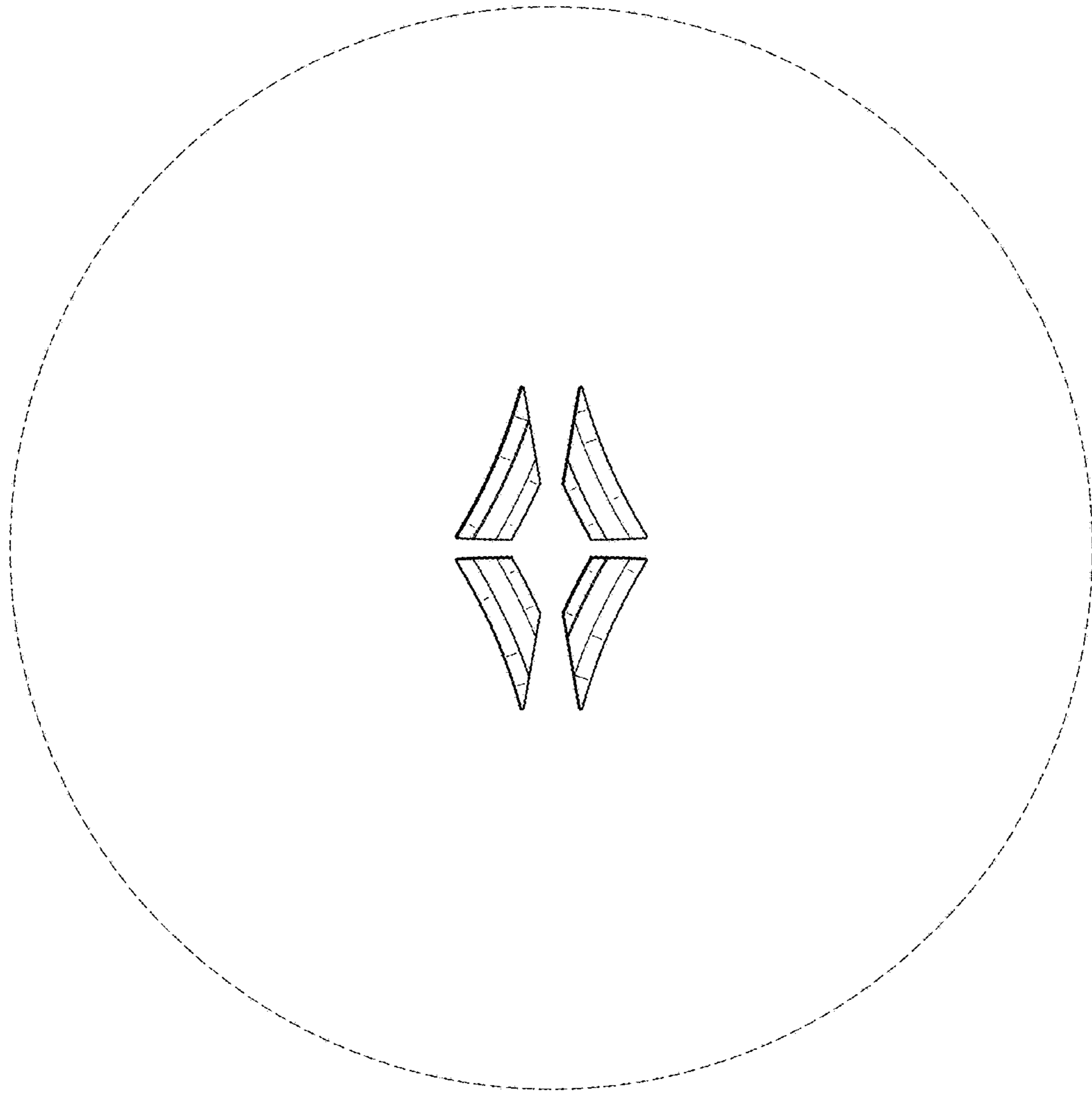


FIG. 4

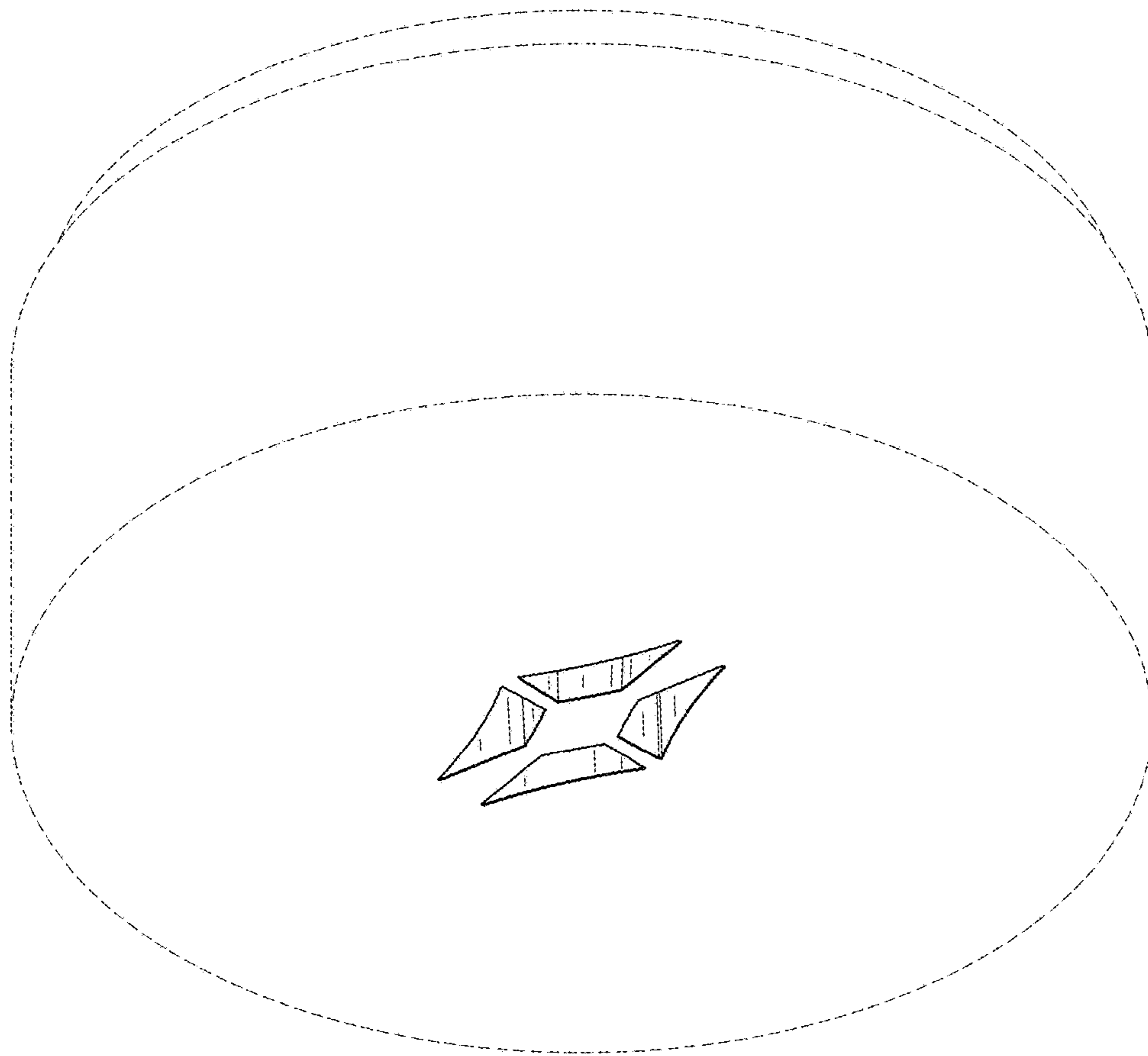


FIG. 5

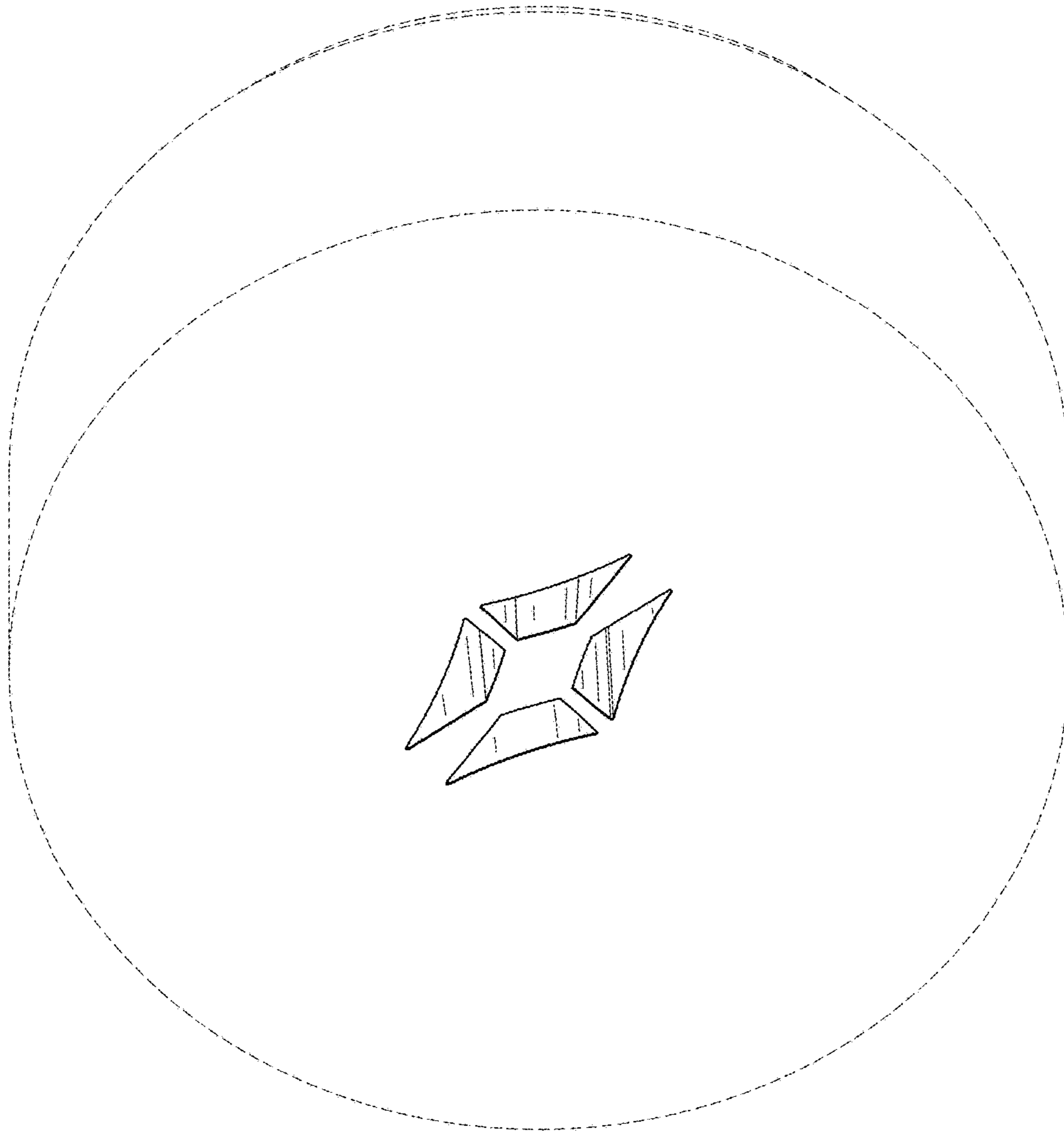


FIG. 6