



US00D845078S

(12) **United States Design Patent**
Hyman

(10) **Patent No.:** **US D845,078 S**

(45) **Date of Patent:** **** Apr. 9, 2019**

(54) **FOOD TRAY**

(71) Applicant: **Eric Michael Hyman**, Spokane, WA
(US)

(72) Inventor: **Eric Michael Hyman**, Spokane, WA
(US)

(**) Term: **15 Years**

(21) Appl. No.: **29/642,073**

(22) Filed: **Mar. 27, 2018**

(51) **LOC (11) Cl.** **07-01**

(52) **U.S. Cl.**
USPC **D7/553.1**

(58) **Field of Classification Search**
USPC D7/396.4, 501, 505, 571, 538, 540,
D7/541-543, 545, 546, 549, 552.1, 553,
D7/553.1, 553.2, 553.6, 554.2; D9/424,
D9/432, 716, 719, 738-740, 744-745,
D9/756, 759-760, 761; D30/130
CPC B65D 1/34; B65D 21/00; B65D 21/0204
See application file for complete search history.

(56) **References Cited**

U.S. PATENT DOCUMENTS

876,808 A	1/1908	Kinert	
D54,971 S	12/1919	Thompson	
1,595,356 A	8/1926	Moseman	
3,122,265 A	2/1964	Innis	
3,295,737 A	1/1967	Page et al.	
3,532,247 A	10/1970	Bridges	
3,850,333 A	11/1974	Reichert	
D255,081 S	5/1980	Ramorini	
D255,310 S	6/1980	Spencer	
4,219,144 A	8/1980	Hagelberg	
4,291,805 A	9/1981	Seeley	
D279,225 S	6/1985	Chevassus	
D280,669 S *	9/1985	Hammeke	D3/308
D292,768 S *	11/1987	Kearney	D7/553.5

D296,404 S	6/1988	Lowenbein	
D316,359 S *	4/1991	Anderson	D7/549
D320,909 S	10/1991	Szablak et al.	
5,152,398 A	10/1992	Forestal et al.	
5,167,973 A	12/1992	Snyder	
D338,135 S *	8/1993	Anderson	D7/549
5,323,910 A	6/1994	van de Graaf, Jr.	
D349,425 S *	8/1994	Kays	D7/549
D376,296 S *	12/1996	Dunn	D7/553.5
5,598,944 A	2/1997	Aragona	
5,607,077 A	3/1997	Torkelson	
5,887,749 A	3/1999	Schommer et al.	
5,922,376 A	7/1999	Privert	
5,947,011 A	9/1999	Xu	

(Continued)

Primary Examiner — Kelley A Donnelly

(74) *Attorney, Agent, or Firm* — Cermak Nakajima &
McGowan LLP; Adam J. Cermak

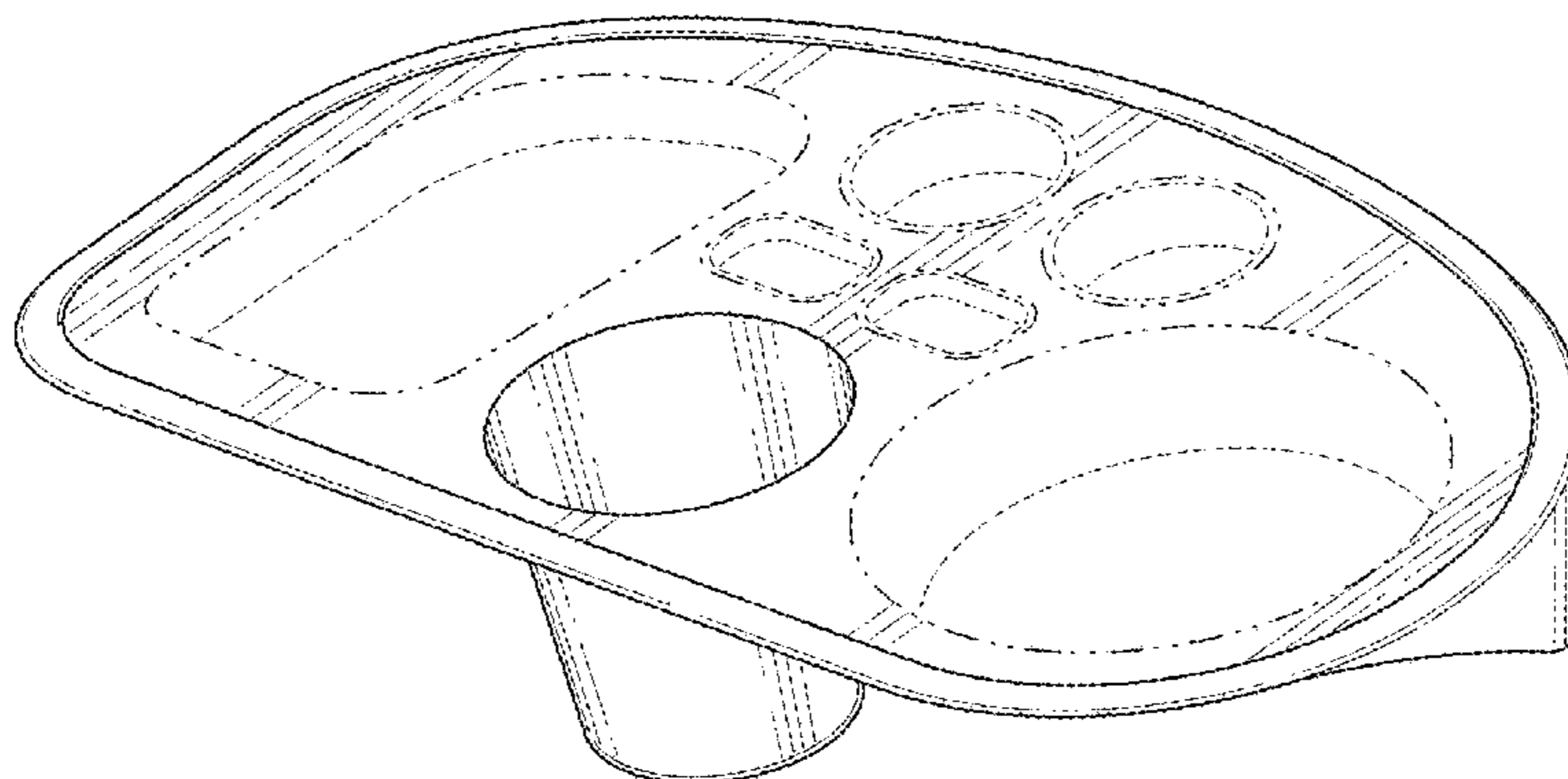
(57) **CLAIM**

The ornamental design for food tray, as shown and described.

DESCRIPTION

FIG. 1 is a top, right, rear perspective view of a food tray showing my new design;
FIG. 2 is a top plan view of the food tray shown in FIG. 1;
FIG. 3 is a bottom plan view of the food tray shown in FIG. 1;
FIG. 4 is a front elevational view of the food tray shown in FIG. 1;
FIG. 5 is a rear elevational view of the food tray shown in FIG. 1;
FIG. 6 is a right side elevational view of the food tray shown in FIG. 1; and,
FIG. 7 is left side elevational view of the food tray shown in FIG. 1.
The broken lines depict environmental subject matter only and form no part of the claimed design.

1 Claim, 6 Drawing Sheets



(56)

References Cited

U.S. PATENT DOCUMENTS

6,036,020	A	3/2000	Distler	
D423,290	S *	4/2000	Green	D6/406.1
6,129,235	A	10/2000	Creske	
6,264,026	B1	7/2001	Bradley	
D482,963	S	12/2003	Vincent et al.	
6,883,692	B2	4/2005	Harden et al.	
7,000,799	B1	2/2006	Hamre	
D611,306	S *	3/2010	Zack	D19/103
7,798,354	B2	9/2010	Stowers, Sr.	
7,874,449	B1	1/2011	Studee et al.	
D680,379	S *	4/2013	Lackey	D7/553.2
D713,208	S *	9/2014	Clark	D7/553.5
D721,543	S *	1/2015	Min	D7/553.1
D728,978	S	5/2015	Williams et al.	
9,113,735	B1	8/2015	Jansma	
D744,860	S	12/2015	Walker et al.	
D766,664	S *	9/2016	Wilson	D7/553.2
D785,406	S *	5/2017	Wansink	D7/553.2
D793,812	S	8/2017	Dennis	
2004/0238537	A1	12/2004	Ojeda	
2005/0045629	A1	3/2005	Conarro et al.	
2005/0082287	A1	4/2005	Shendelman	
2006/0049194	A1	3/2006	Kuhn	
2006/0266748	A1	11/2006	Crawford	
2008/0142515	A1	6/2008	Phifer et al.	
2017/0079451	A1	3/2017	Wansink	

* cited by examiner

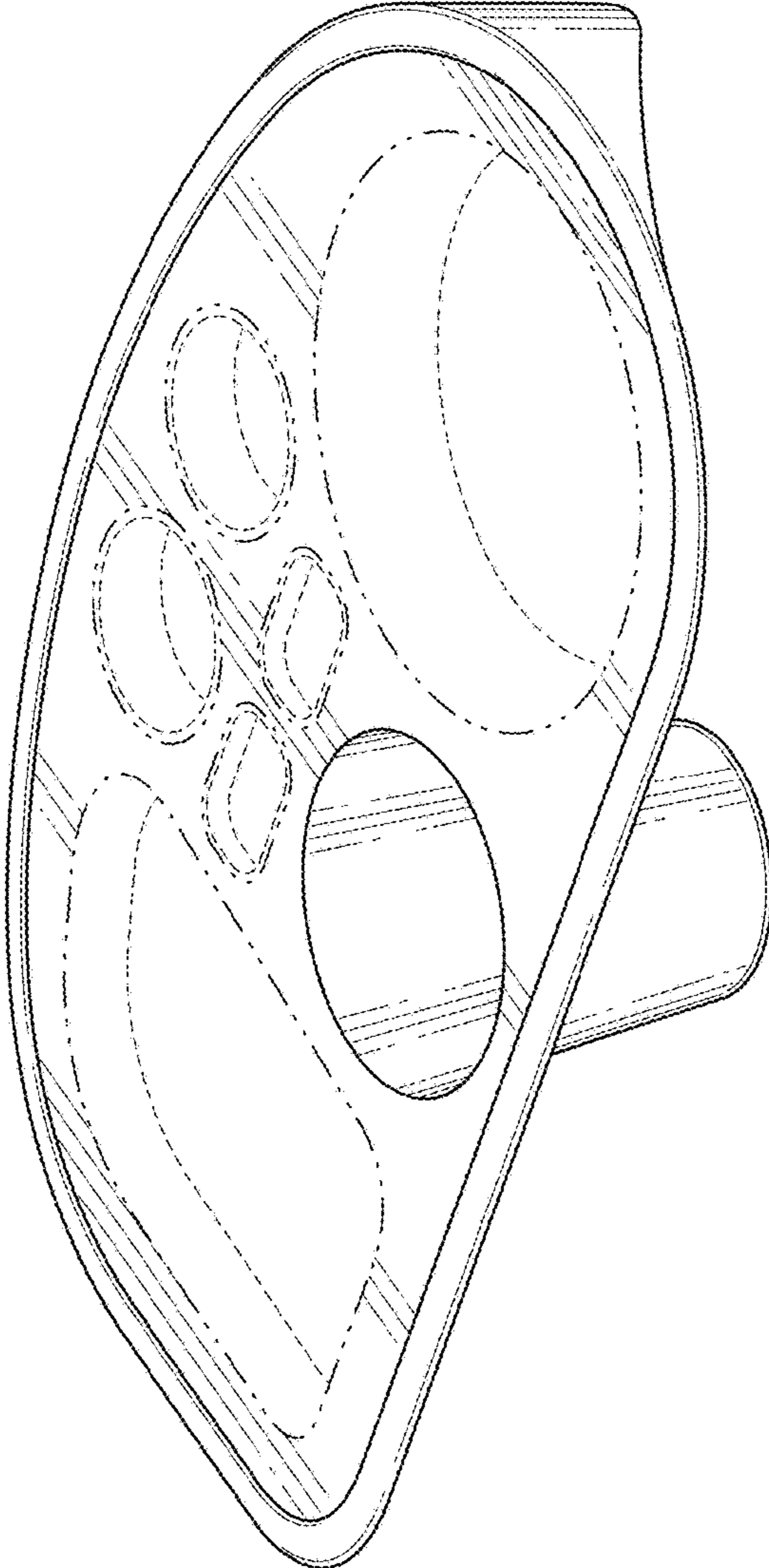


FIG. 1

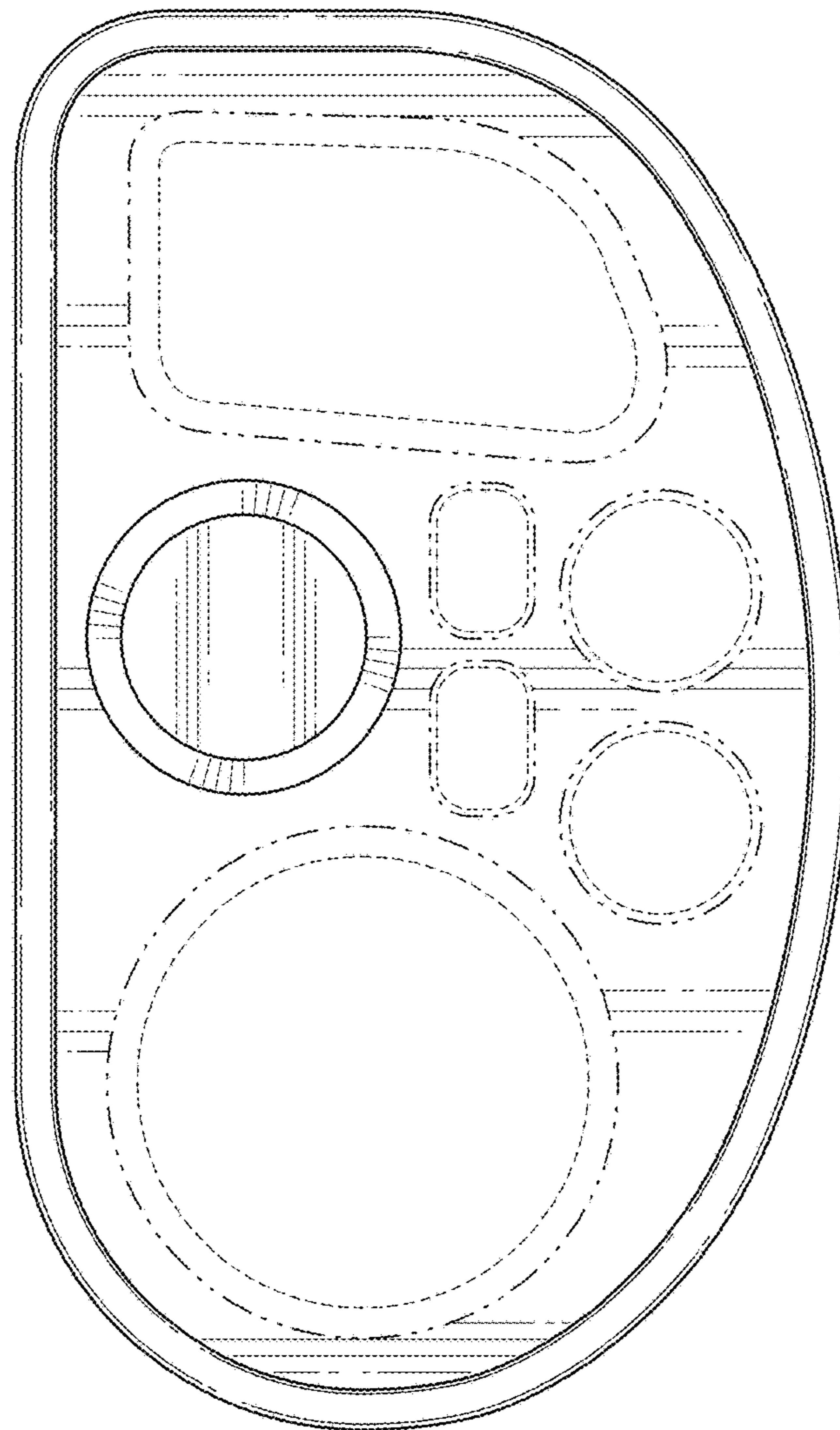


FIG. 2

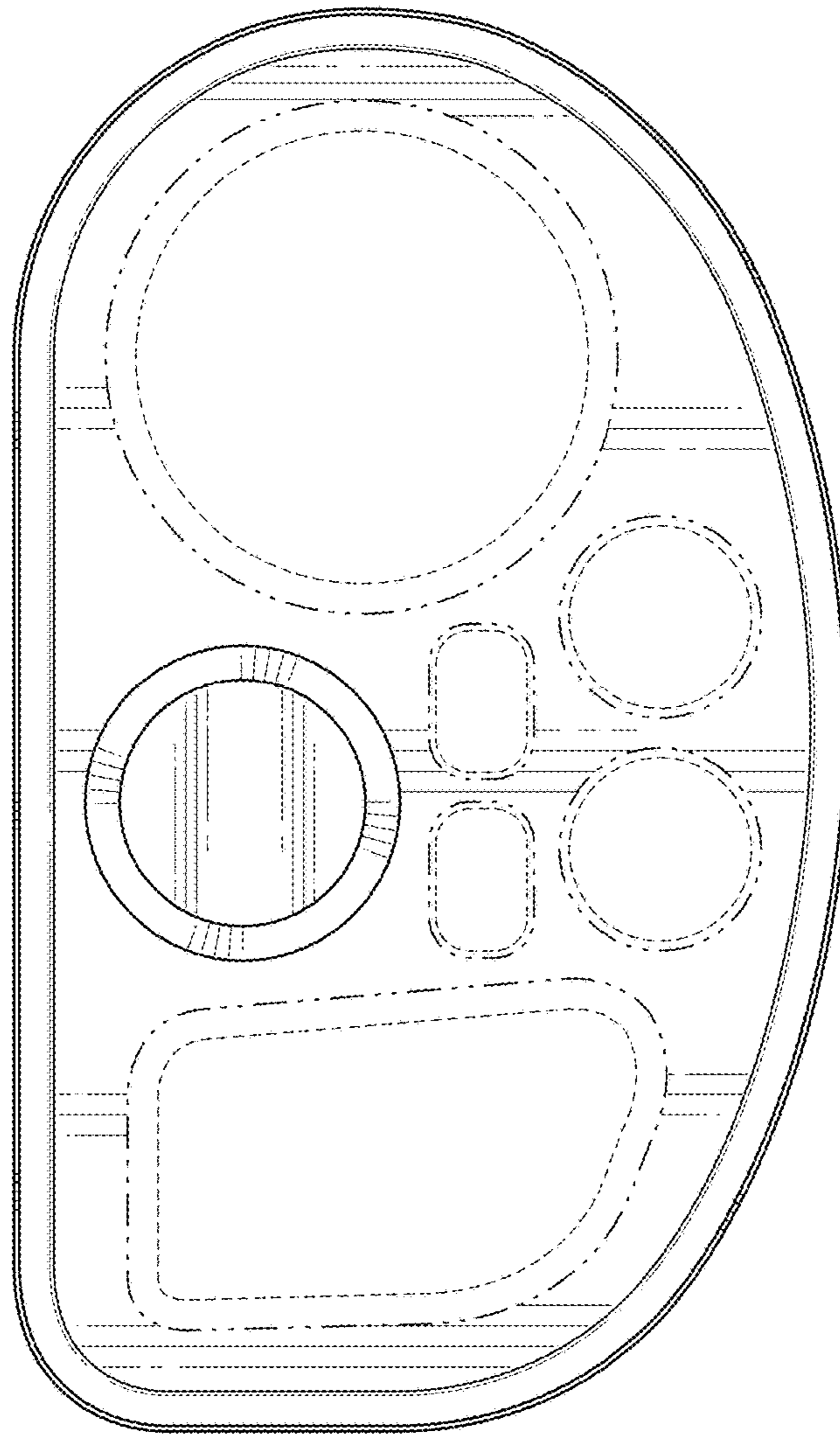


FIG. 3

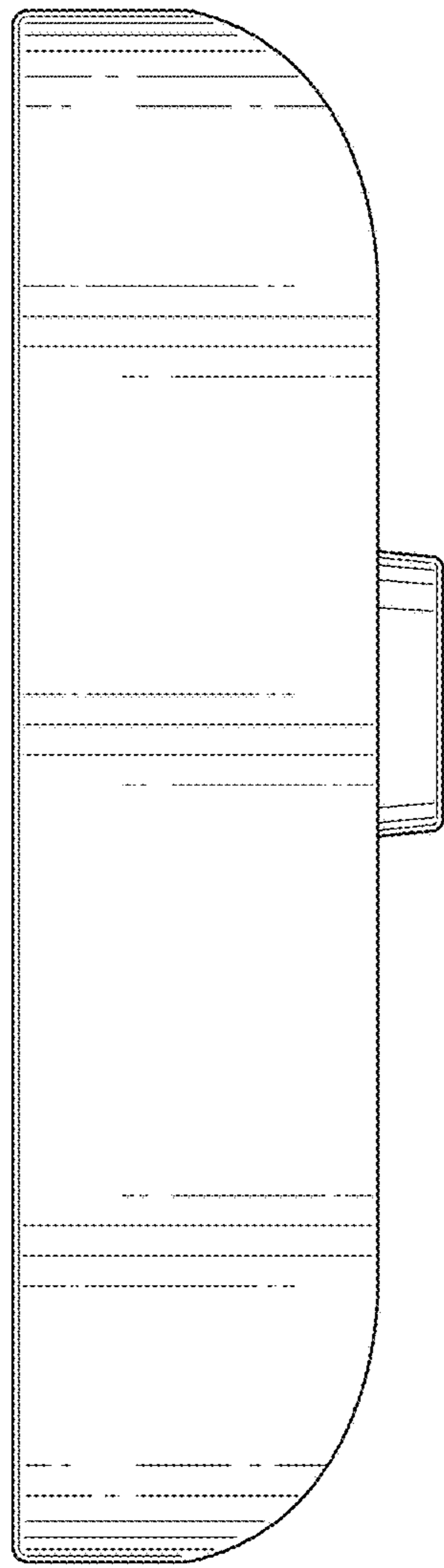


FIG. 4

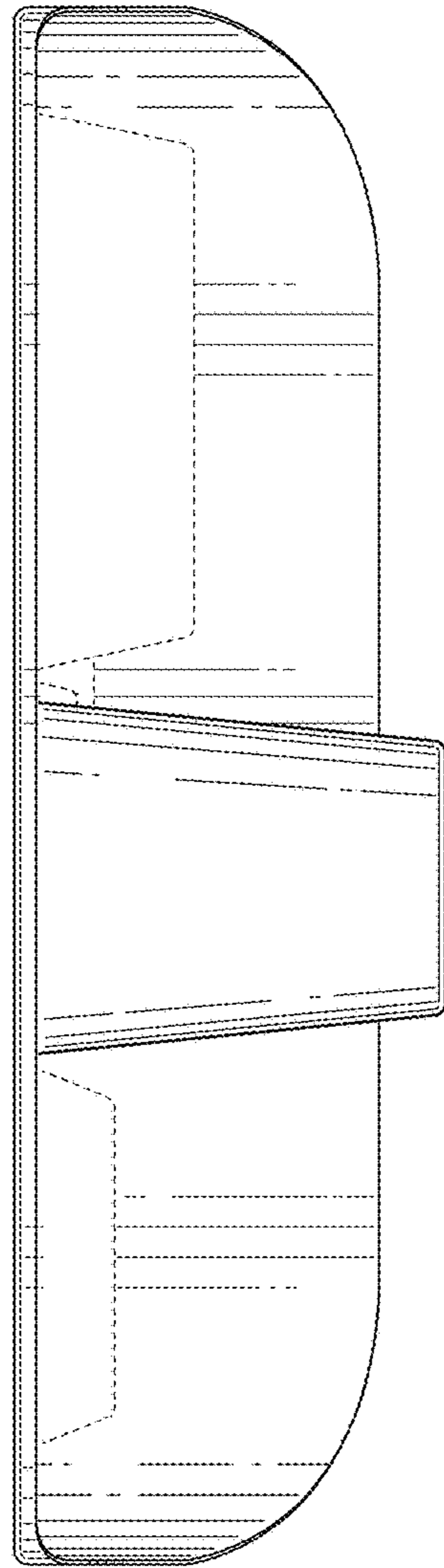


FIG. 5

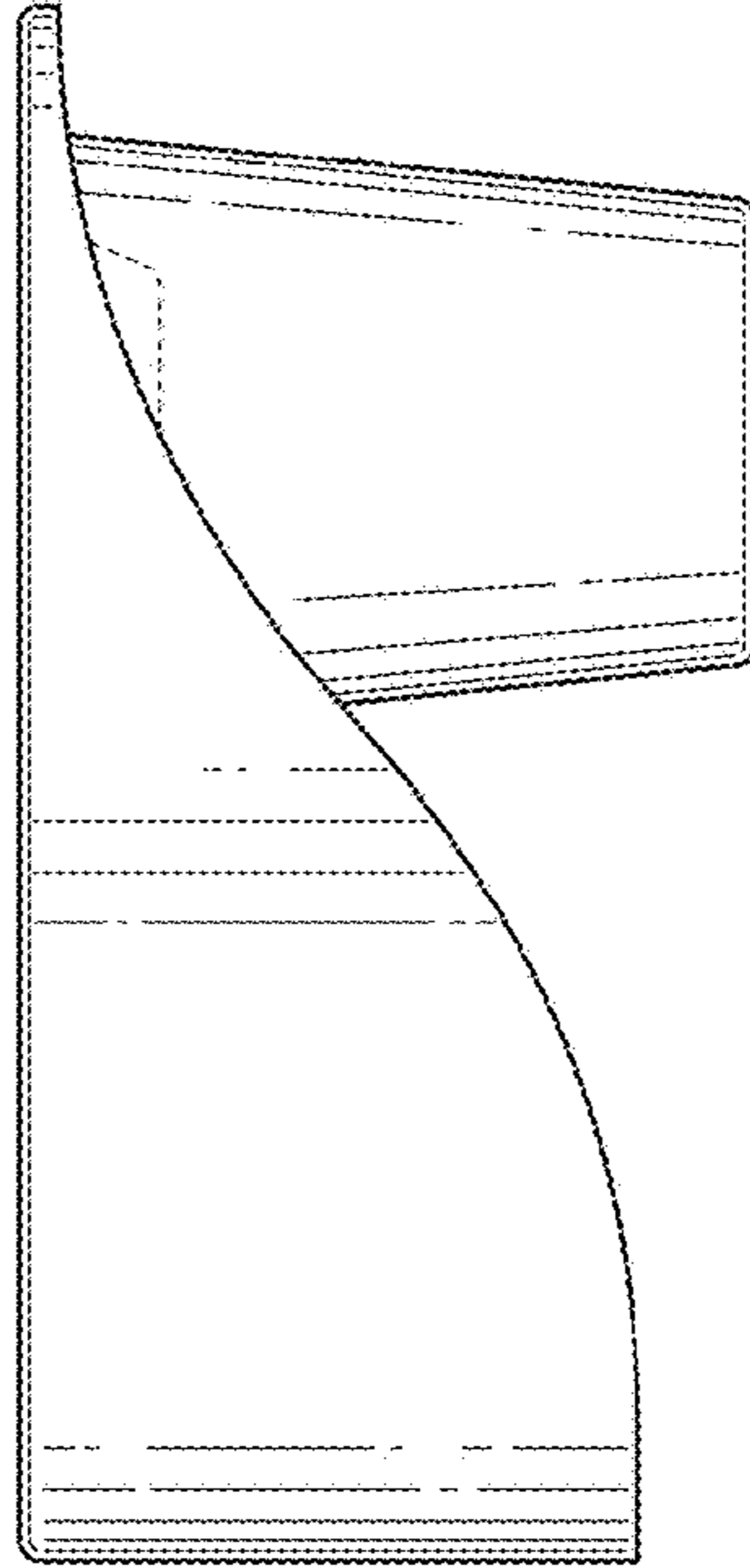


FIG. 7

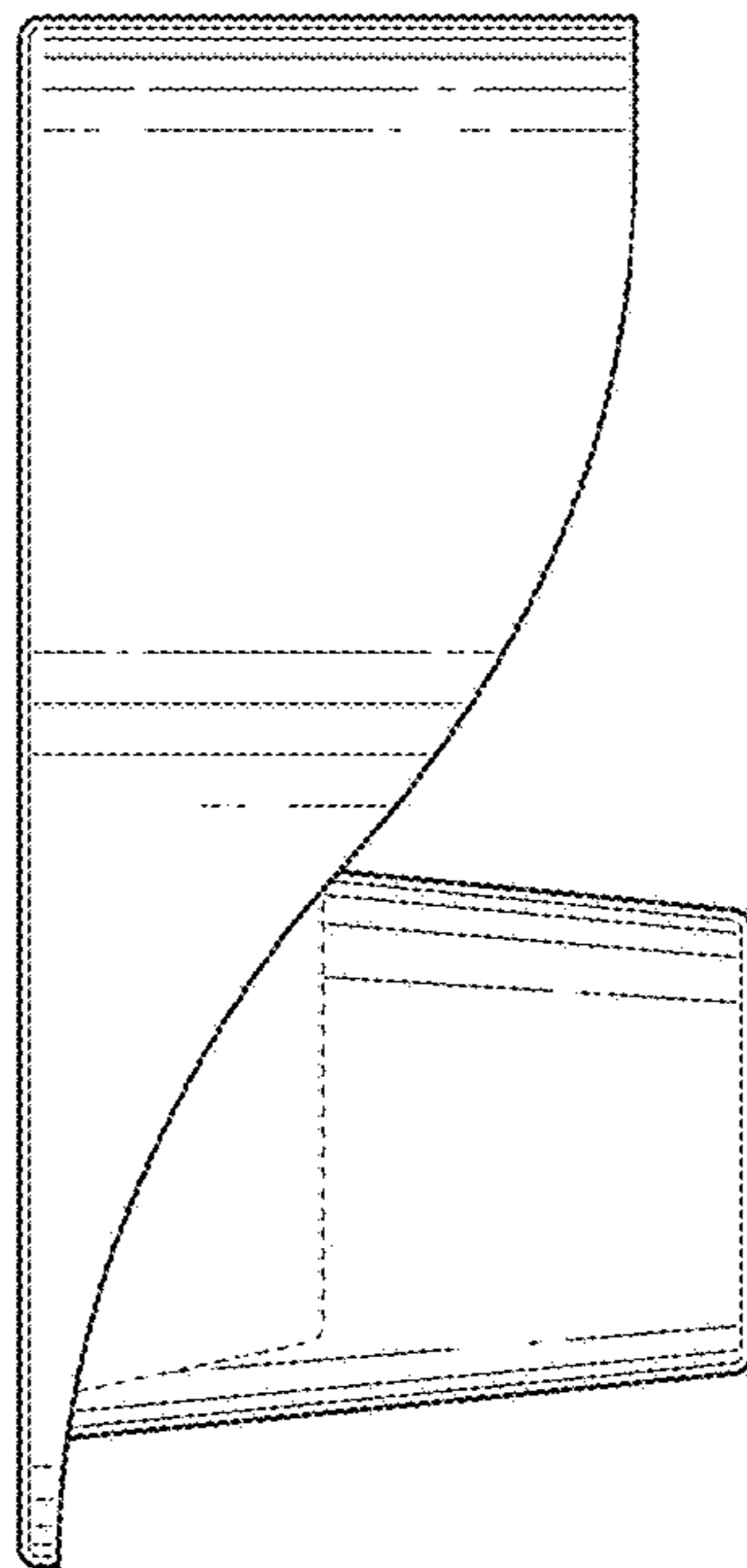


FIG. 6