



US00D845076S

(12) **United States Design Patent** (10) **Patent No.:** **US D845,076 S**  
**Brownell** (45) **Date of Patent:** **\*\* Apr. 9, 2019**

(54) **FOOD CONTAINER**  
(71) Applicant: **General Mills, Inc.**, Minneapolis, MN (US)  
(72) Inventor: **Jennifer Jessica Brownell**, Plymouth, MN (US)  
(73) Assignee: **General Mills, Inc.**, Minneapolis, MN (US)

*Primary Examiner* — Cynthia R Underwood  
(74) *Attorney, Agent, or Firm* — Diederiks & Whitelaw, PLC; Anthony M. Frawley, Esq.

(\*\*) Term: **15 Years**  
(21) Appl. No.: **29/622,127**  
(22) Filed: **Oct. 13, 2017**  
(51) **LOC (11) Cl.** ..... **07-01**  
(52) **U.S. Cl.**  
USPC ..... **D7/545**  
(58) **Field of Classification Search**  
USPC ..... D7/500, 543, 360, 361, 545  
CPC ..... A47G 19/02; A47G 19/03; B65D 1/34;  
B65D 1/38  
See application file for complete search history.

(57) **CLAIM**

I claim the ornamental design for food container, as shown.

**DESCRIPTION**

FIG. 1 is a perspective view of a food container, according to the present invention;  
FIG. 2 is a front elevational view of the food container of FIG. 1, with a rear elevational view being a mirror image thereof;  
FIG. 3 is a left side view of the food container of FIG. 1, with a right side view being a mirror image thereof;  
FIG. 4 is a top end view of the food container of FIG. 1;  
FIG. 5 is a bottom end view of the food container of FIG. 1;  
FIG. 6 is a cross-sectional view of the food container taken along line 6-6 of FIG. 3;  
FIG. 7 is a perspective view of a food container, according to an embodiment of the present invention;  
FIG. 8 is a front elevational view of the food container of FIG. 7, with a rear elevational view being a mirror image thereof;  
FIG. 9 is left side view of the food container of FIG. 7, with a right side view being a mirror image thereof;  
FIG. 10 is a top end view of the food container of FIG. 7;  
FIG. 11 is a bottom end view of the food container of FIG. 7; and,  
FIG. 12 is a cross-sectional view of the food container taken along line 12-12 of FIG. 9.  
The design of FIGS. 7-12 corresponds directly to that of FIGS. 1-6 except for presenting a series of circumferentially spaced offset body portions in broken lines which form no part of the claimed invention for this embodiment.

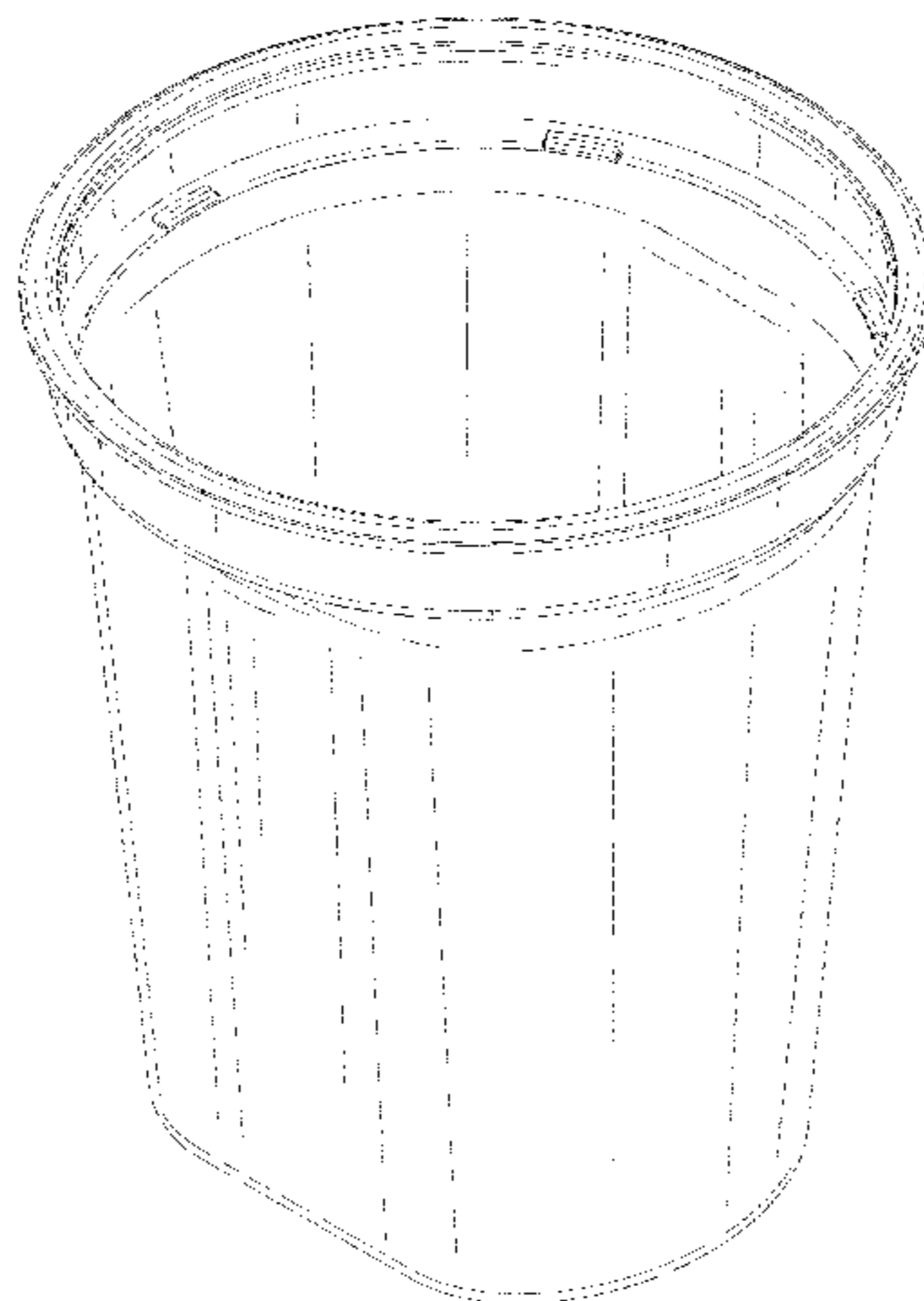
(56) **References Cited**

U.S. PATENT DOCUMENTS

D186,038 S	9/1959	Stageberg	
D250,565 S *	12/1978	Stowell	D7/543
D314,119 S *	1/1991	Kauffman	D7/505
D383,646 S	6/1997	Jeppesen et al.	
D385,462 S *	10/1997	Ferris	D7/543
D416,445 S	11/1999	Henry	
D447,007 S	8/2001	Schultz	
D452,417 S *	12/2001	Whitmore	D7/543
D453,094 S	1/2002	Maggard et al.	
D453,108 S	1/2002	Casco	
D509,106 S	9/2005	de Groote et al.	
D564,138 S *	3/2008	Dunn	D30/129
D591,591 S	5/2009	Moecks et al.	
D606,363 S	12/2009	Aardenburg	

(Continued)

**1 Claim, 12 Drawing Sheets**



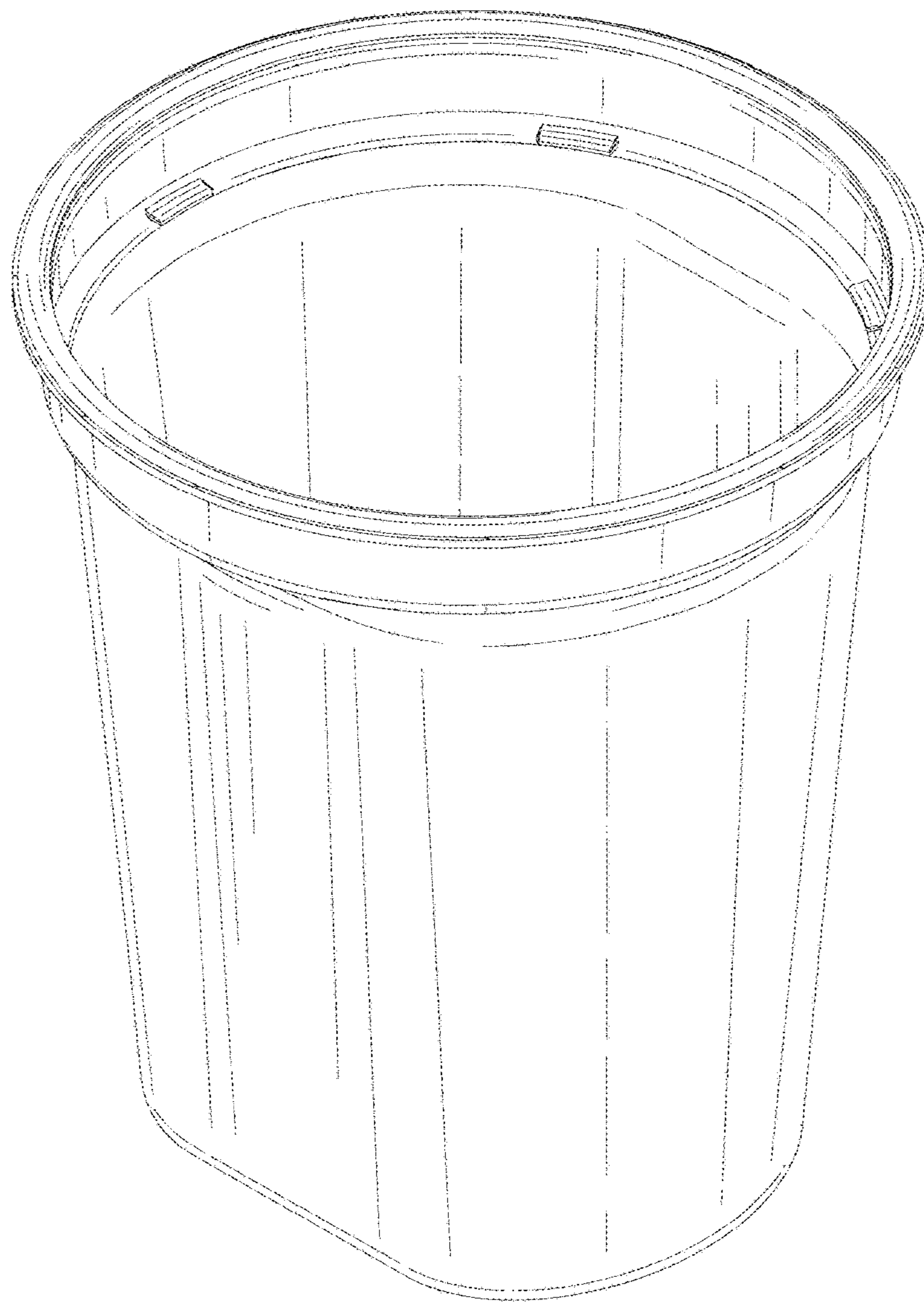
(56)

**References Cited**

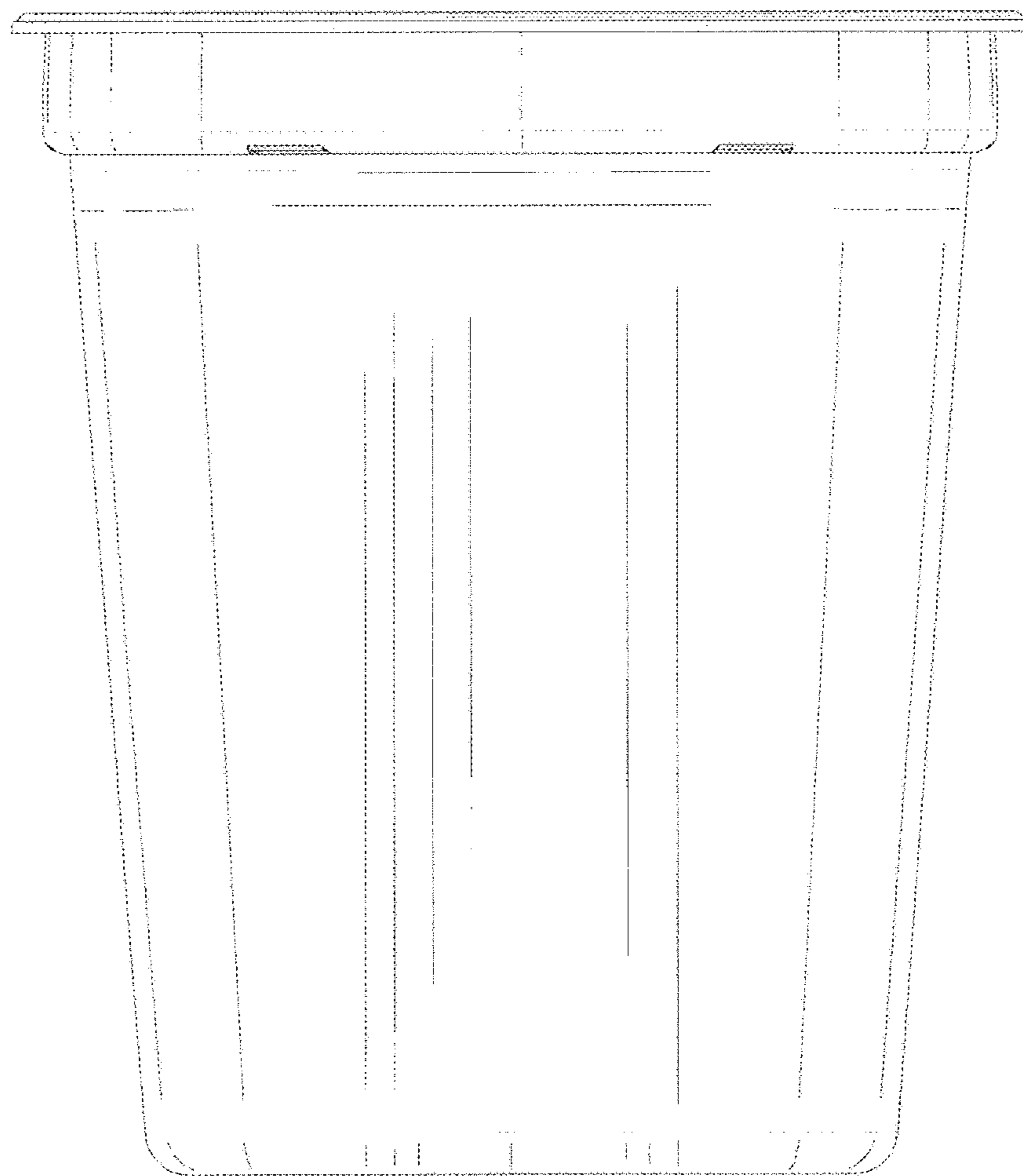
## U.S. PATENT DOCUMENTS

D607,329	S	1/2010	Diss	
D608,585	S	1/2010	Picozza et al.	
D613,127	S *	4/2010	Olivari .....	D7/543
D652,266	S	1/2012	Smyers	
D680,813	S *	4/2013	De Leo .....	D7/543
D686,455	S *	7/2013	Gold .....	D7/543
D692,760	S	11/2013	Rapparini	
D715,649	S	10/2014	O'Brien	
D722,251	S *	2/2015	Morga .....	D7/500
D749,908	S *	2/2016	Cai .....	D7/543
D763,625	S *	8/2016	Wright .....	D7/545
D786,624	S *	5/2017	Passot .....	D7/584
D798,718	S *	10/2017	Foster .....	D9/500
D816,417	S *	5/2018	Hutton .....	D7/565
D823,063	S *	7/2018	Guo .....	D7/552.1
D823,642	S *	7/2018	Ribeiro-Ramalhosa .....	D7/543
D825,335	S *	8/2018	Buck .....	D9/500
2005/0017013	A1 *	1/2005	Peisach .....	B65D 1/26 220/609
2005/0127073	A1 *	6/2005	Kusuma .....	B65D 21/086 220/6
2011/0259205	A1 *	10/2011	Delorme .....	B65D 65/466 99/299
2012/0058226	A1 *	3/2012	Winkler .....	A47J 31/3695 426/79
2012/0097602	A1 *	4/2012	Tedford .....	B65D 65/466 210/500.1
2012/0201933	A1 *	8/2012	Dran .....	B65D 85/8043 426/80
2017/0081078	A1 *	3/2017	Maple .....	A47G 19/02

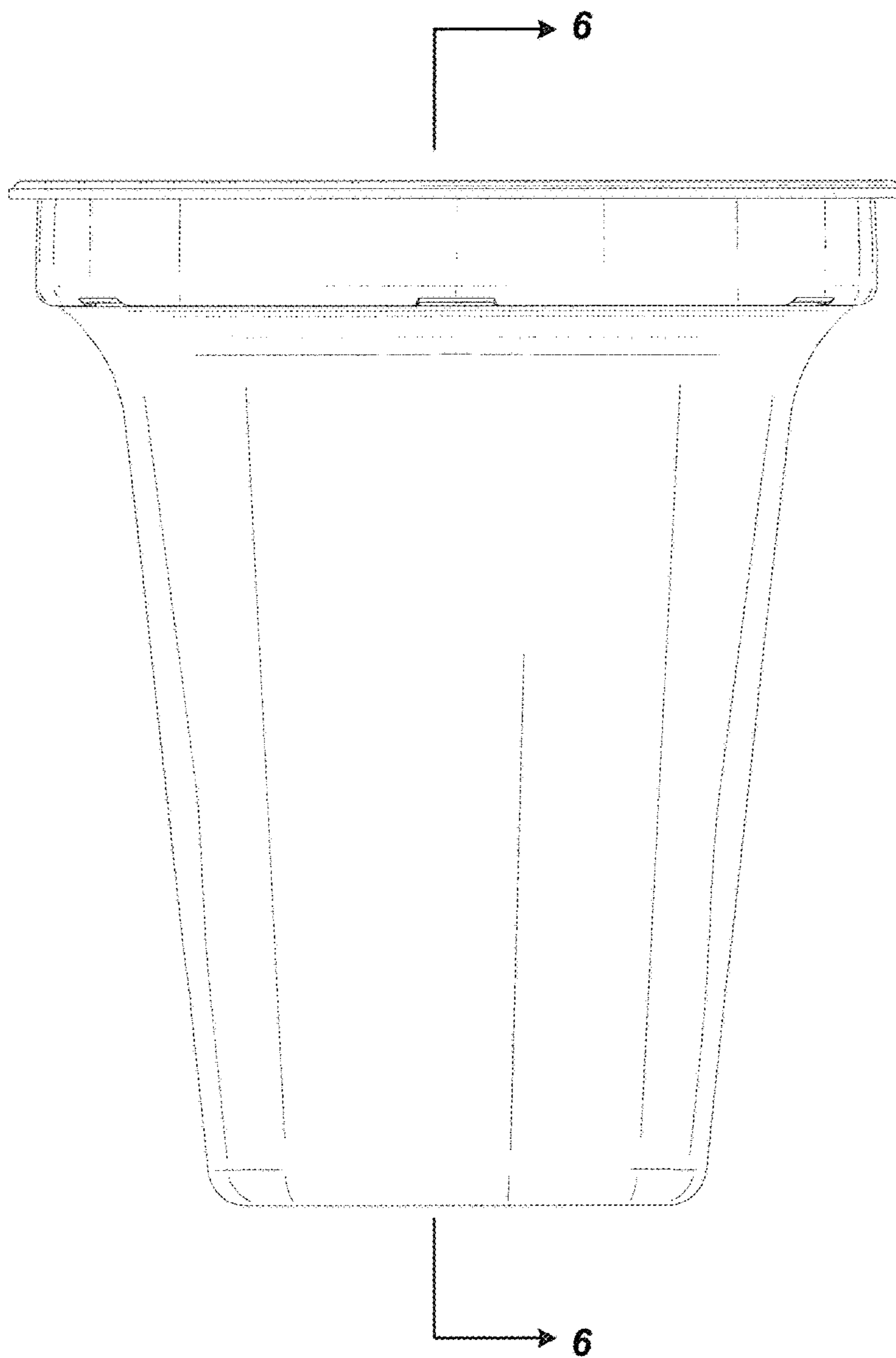
\* cited by examiner



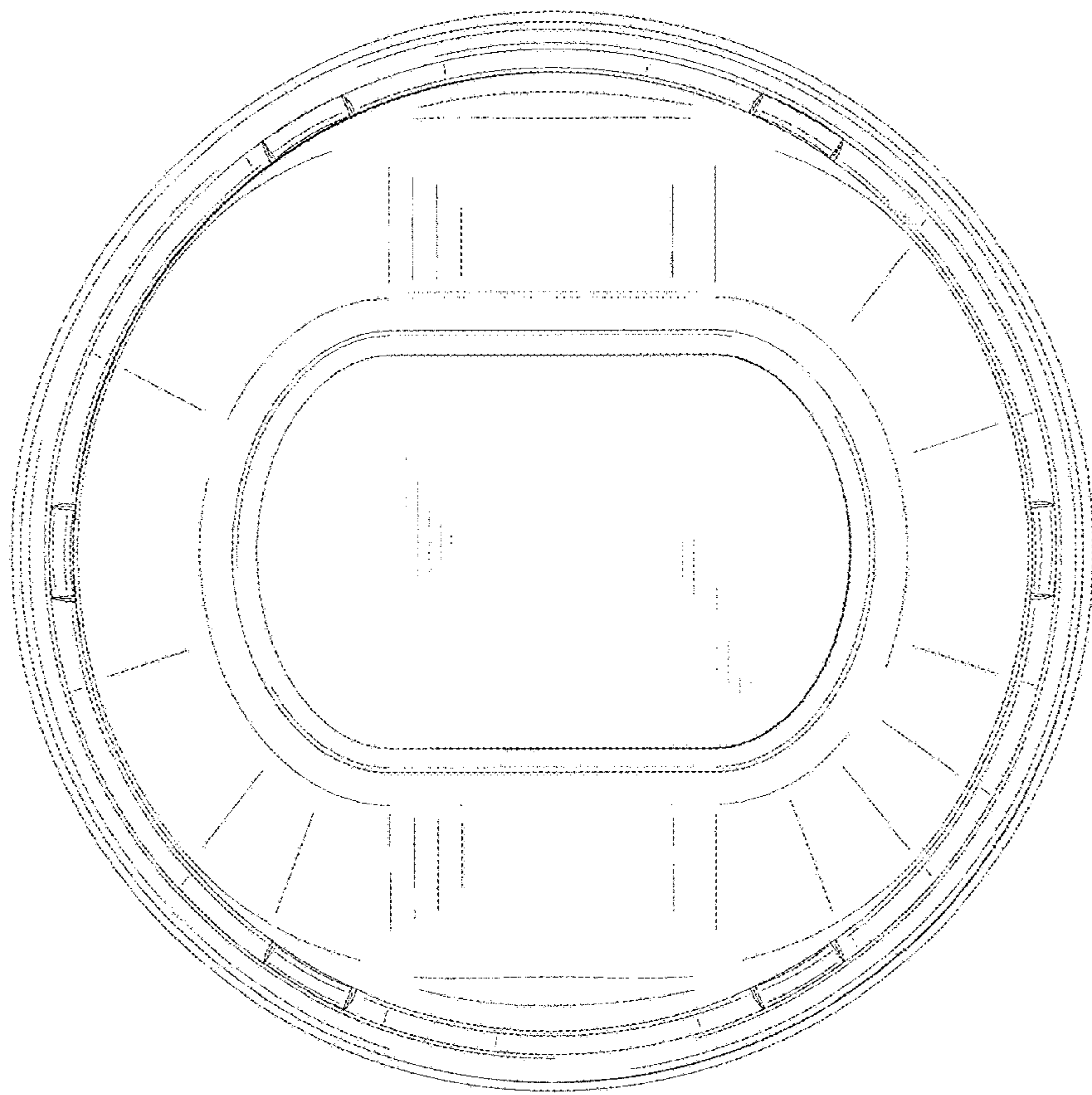
**FIG. 1**



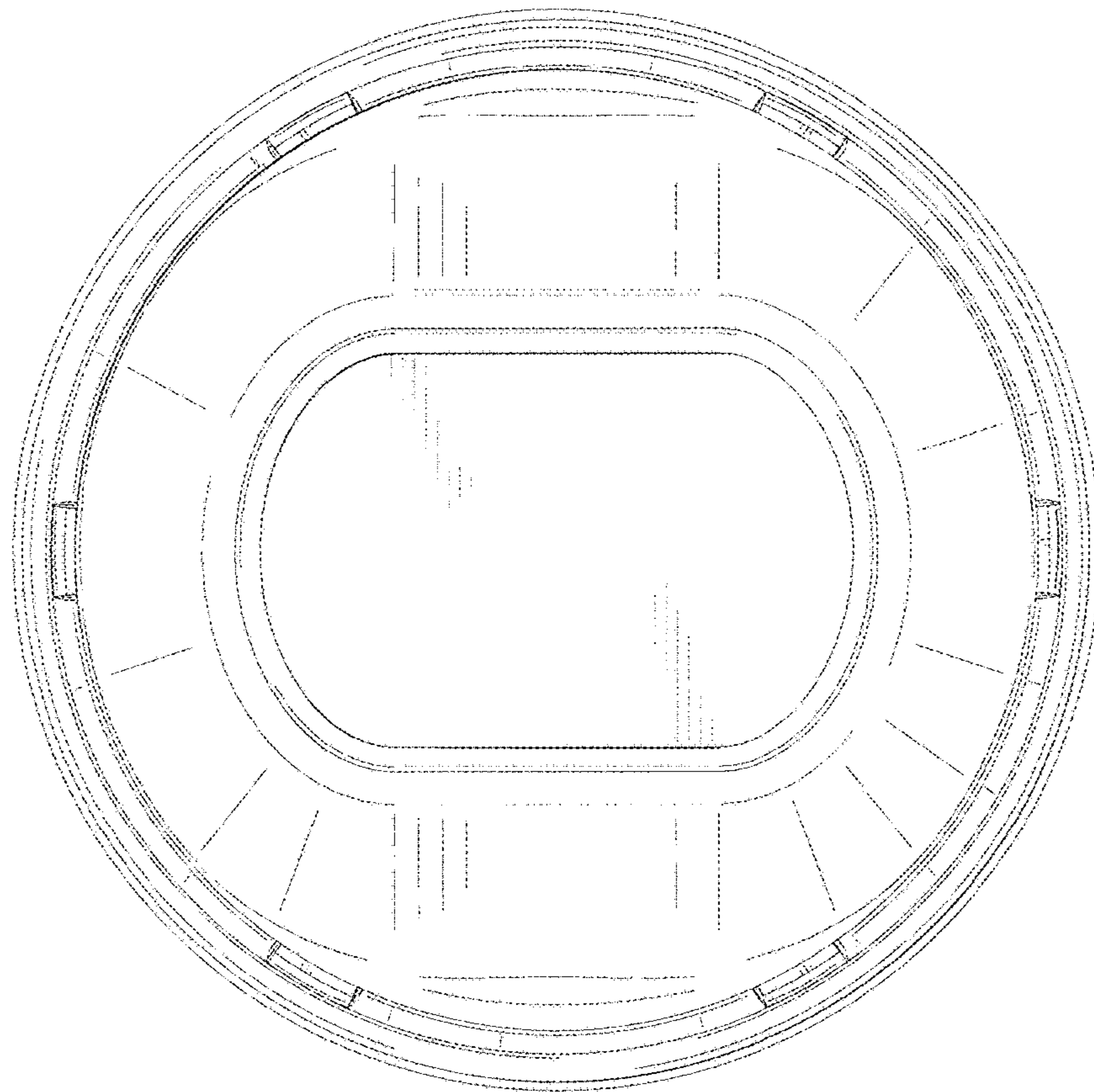
**FIG. 2**



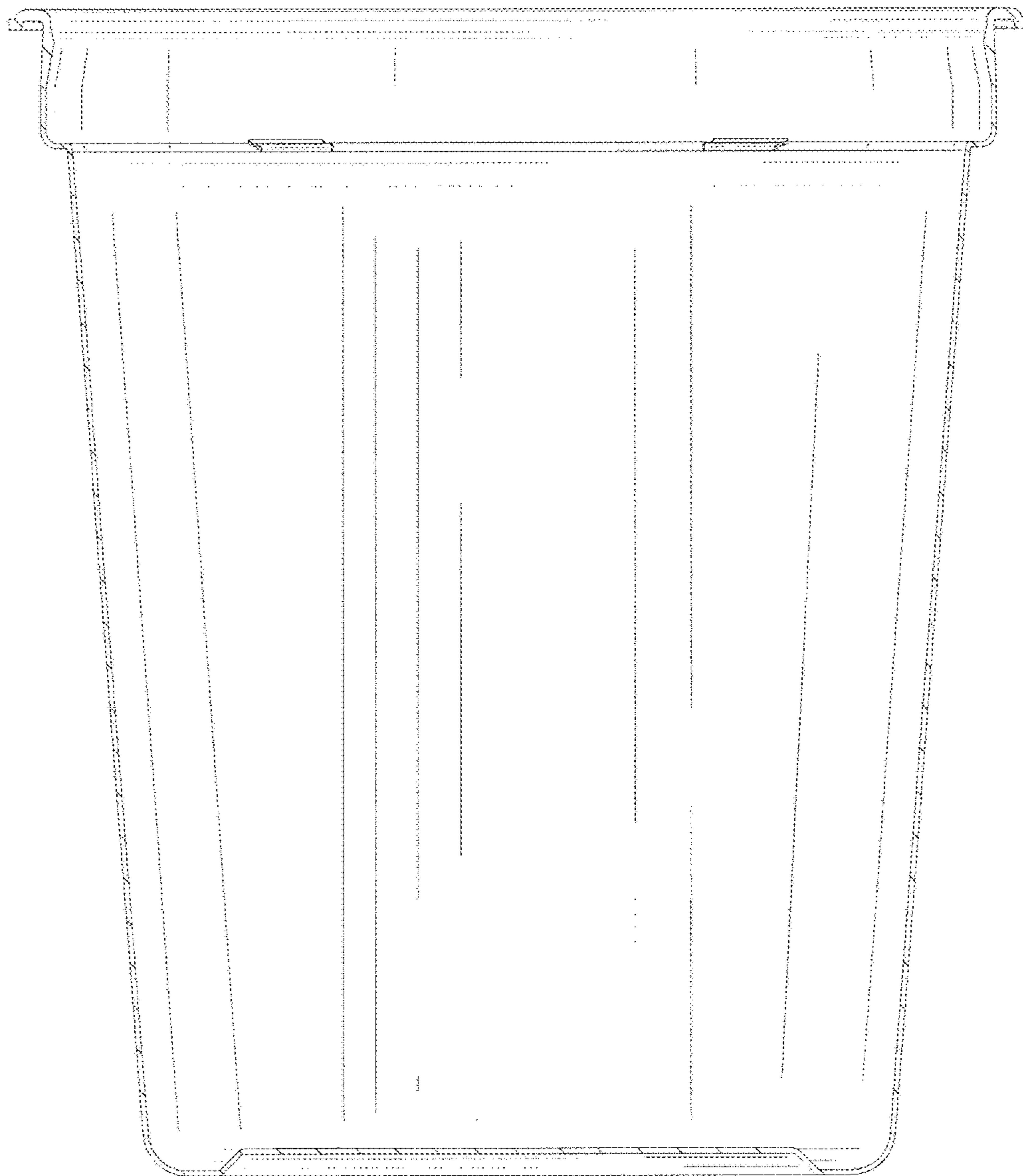
**FIG. 3**



**FIG. 4**

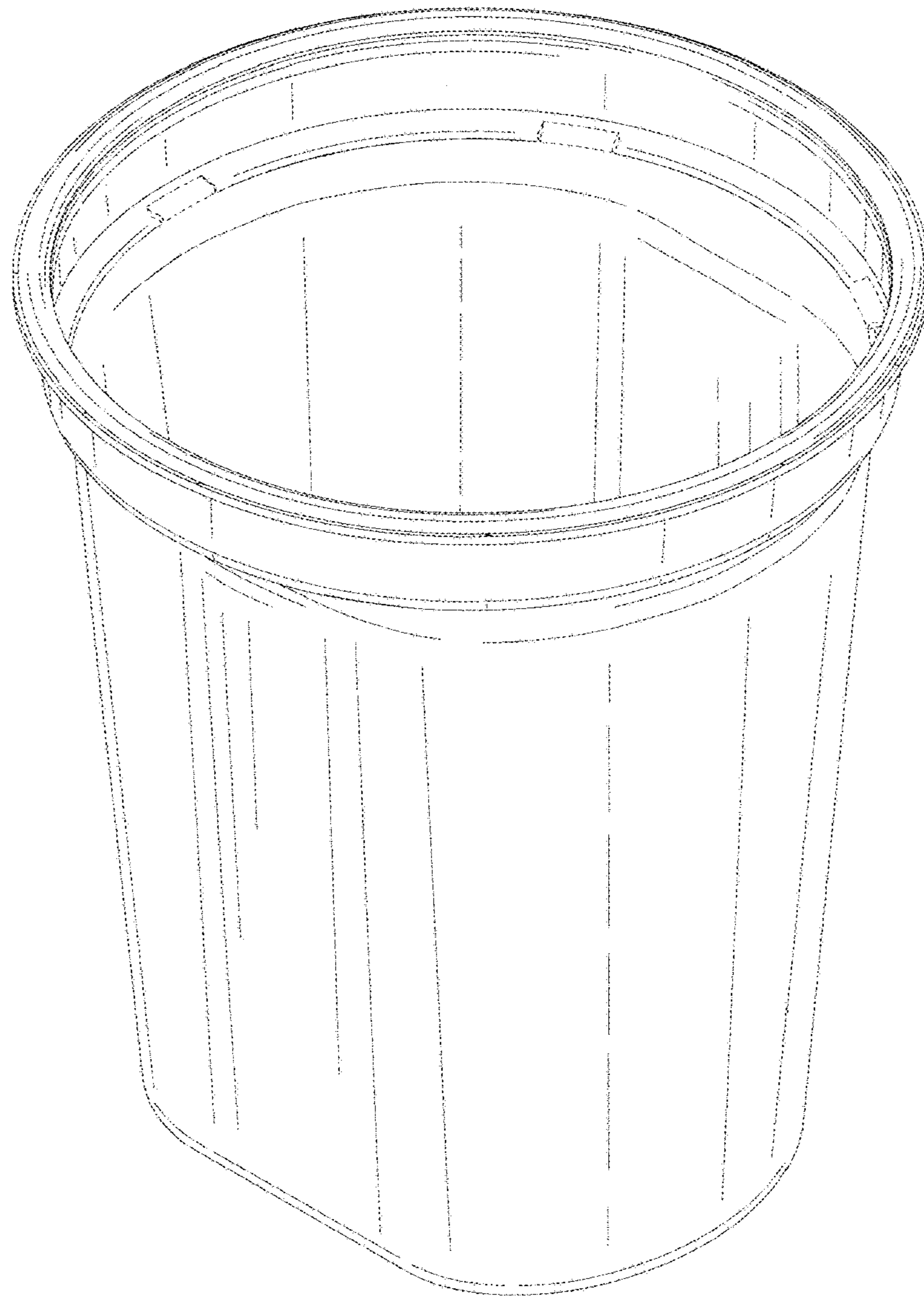


**FIG. 5**

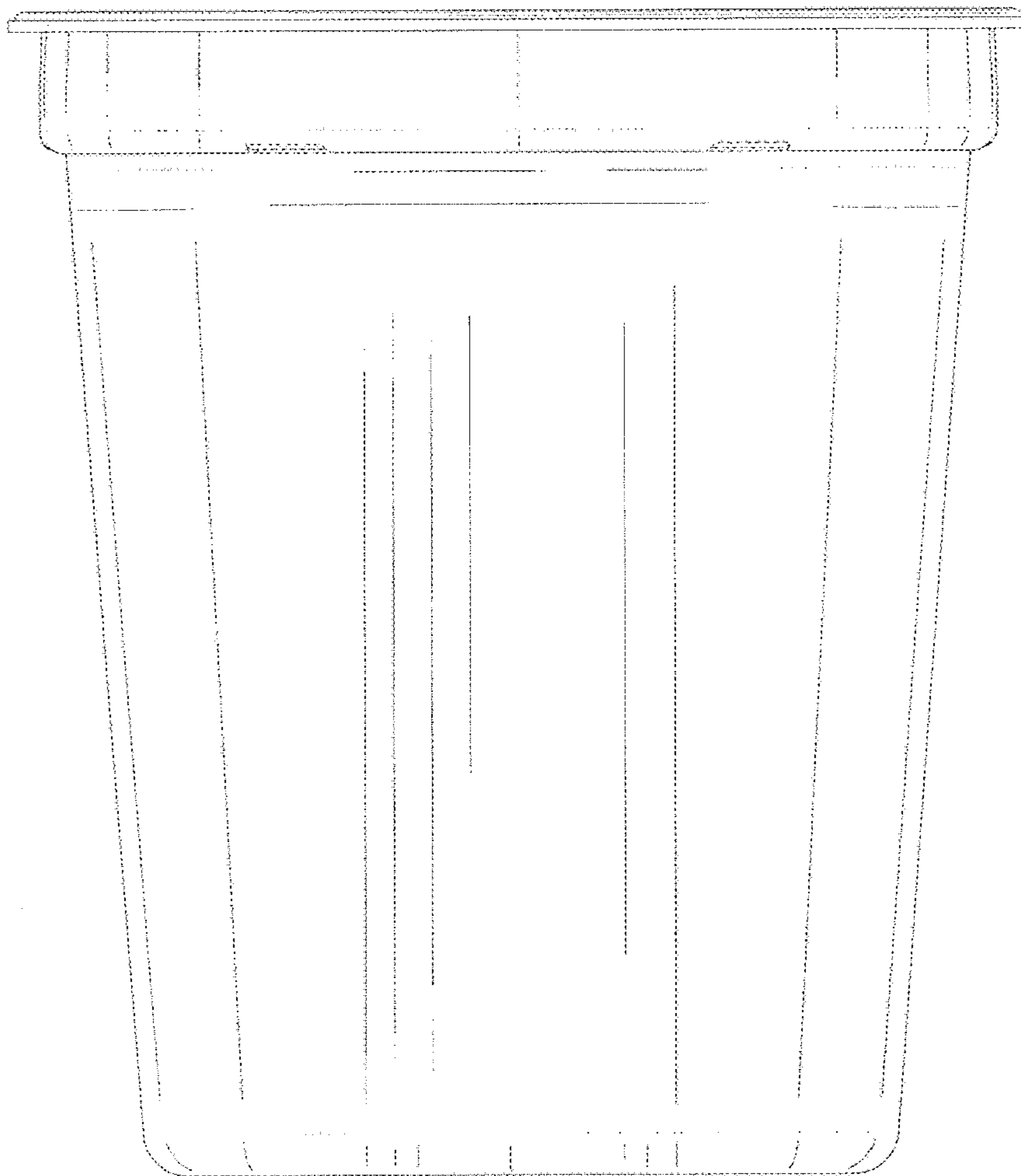


**FIG. 6**

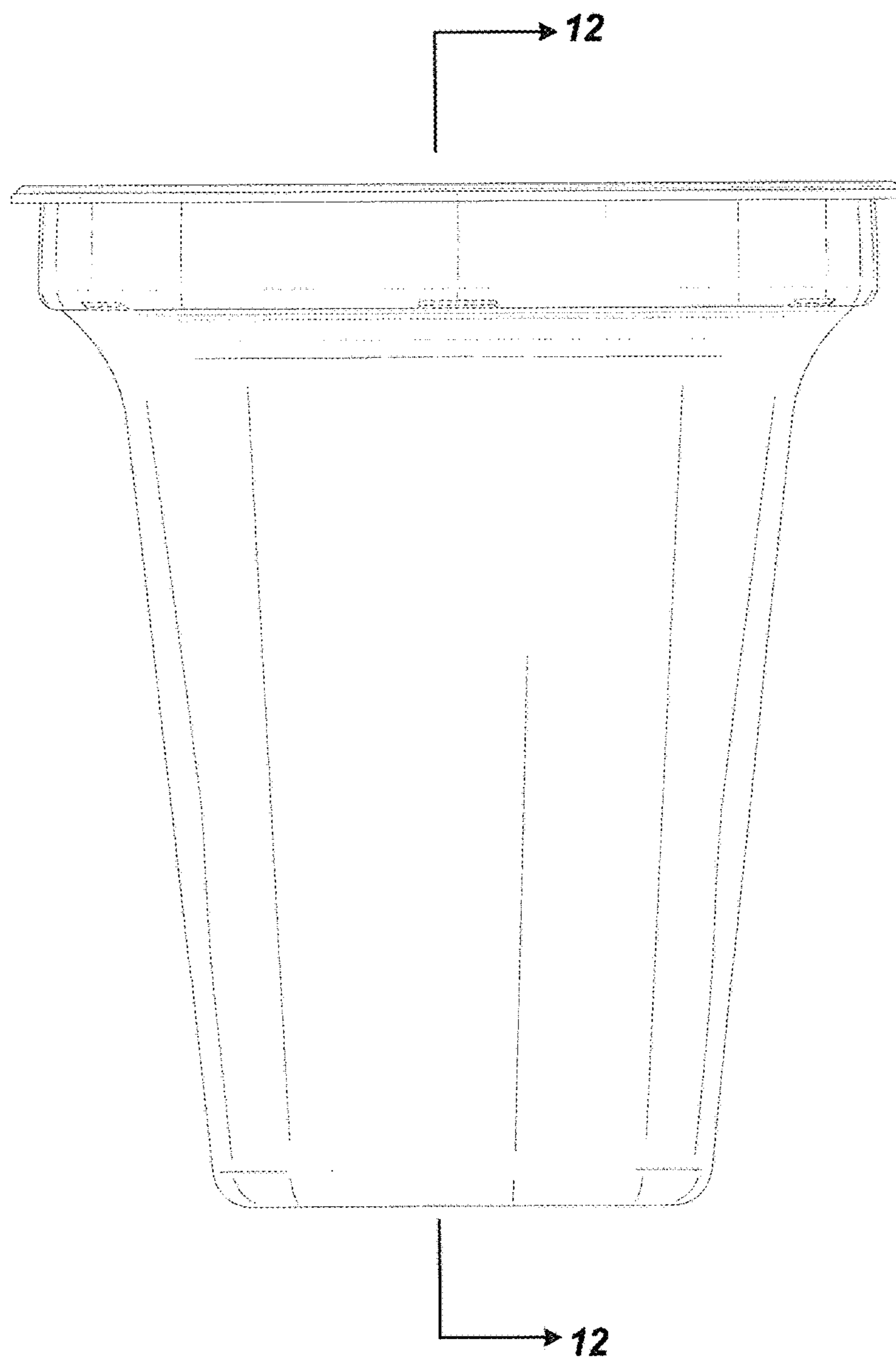




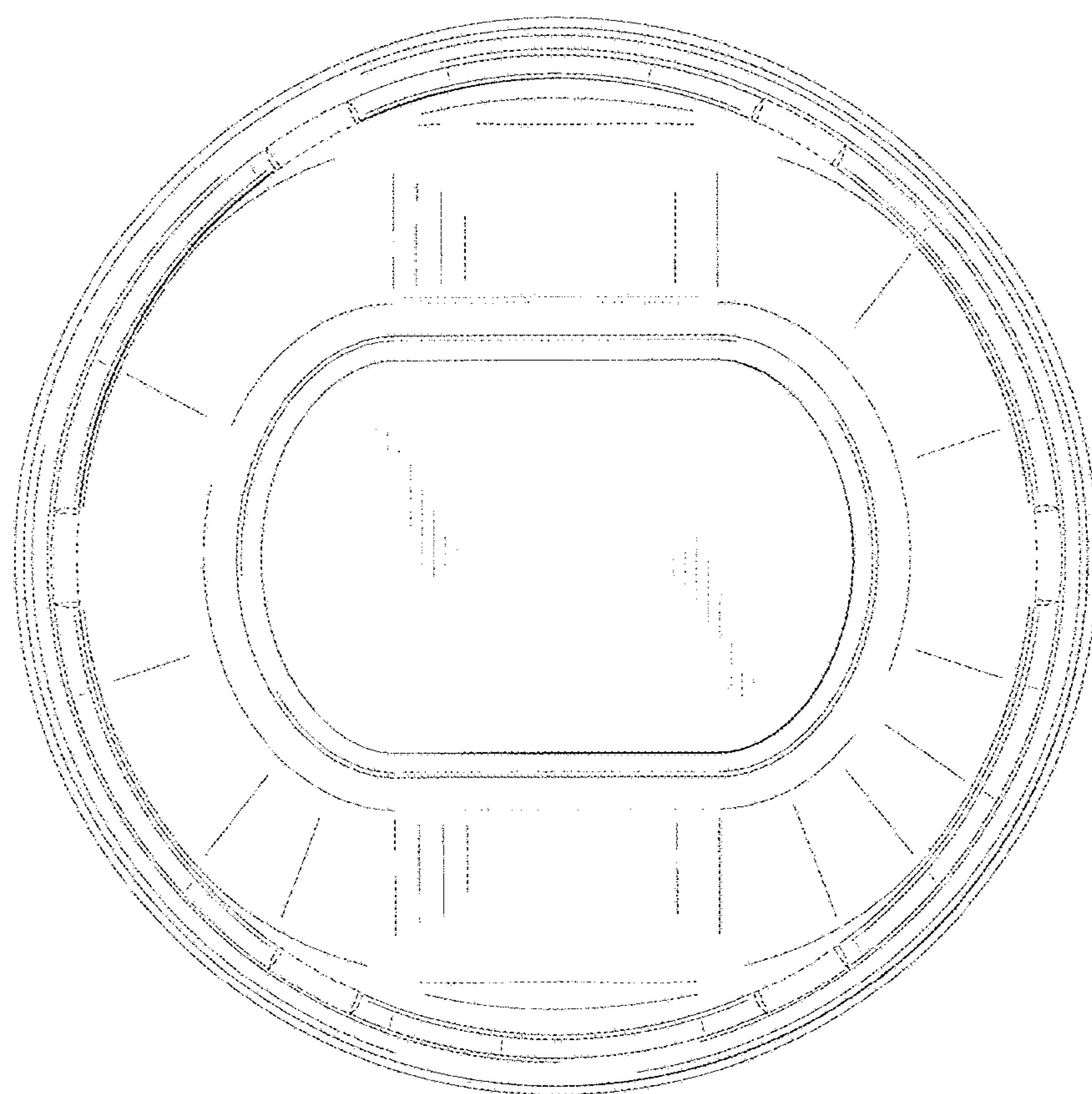
**FIG. 7**



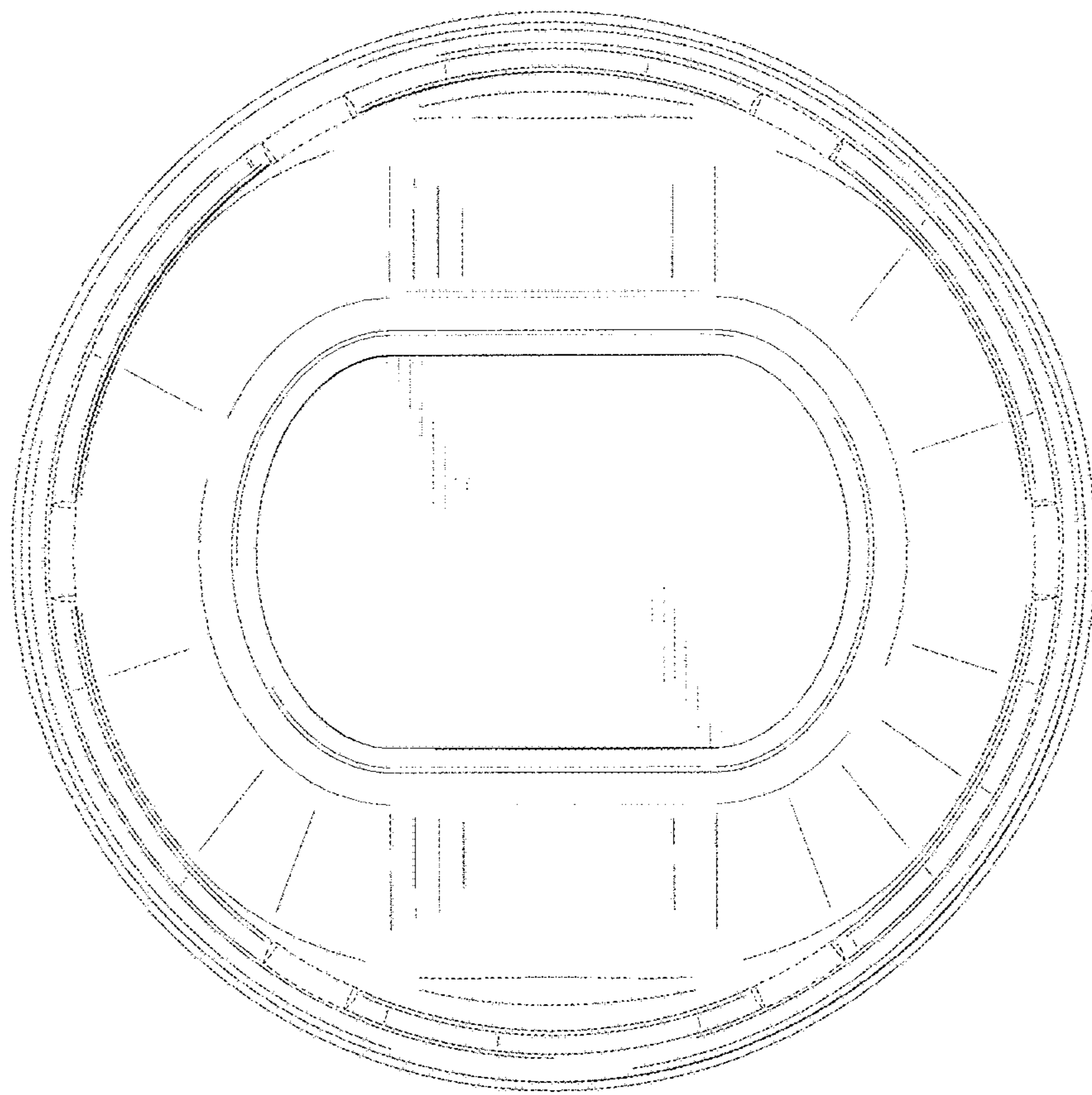
**FIG. 8**



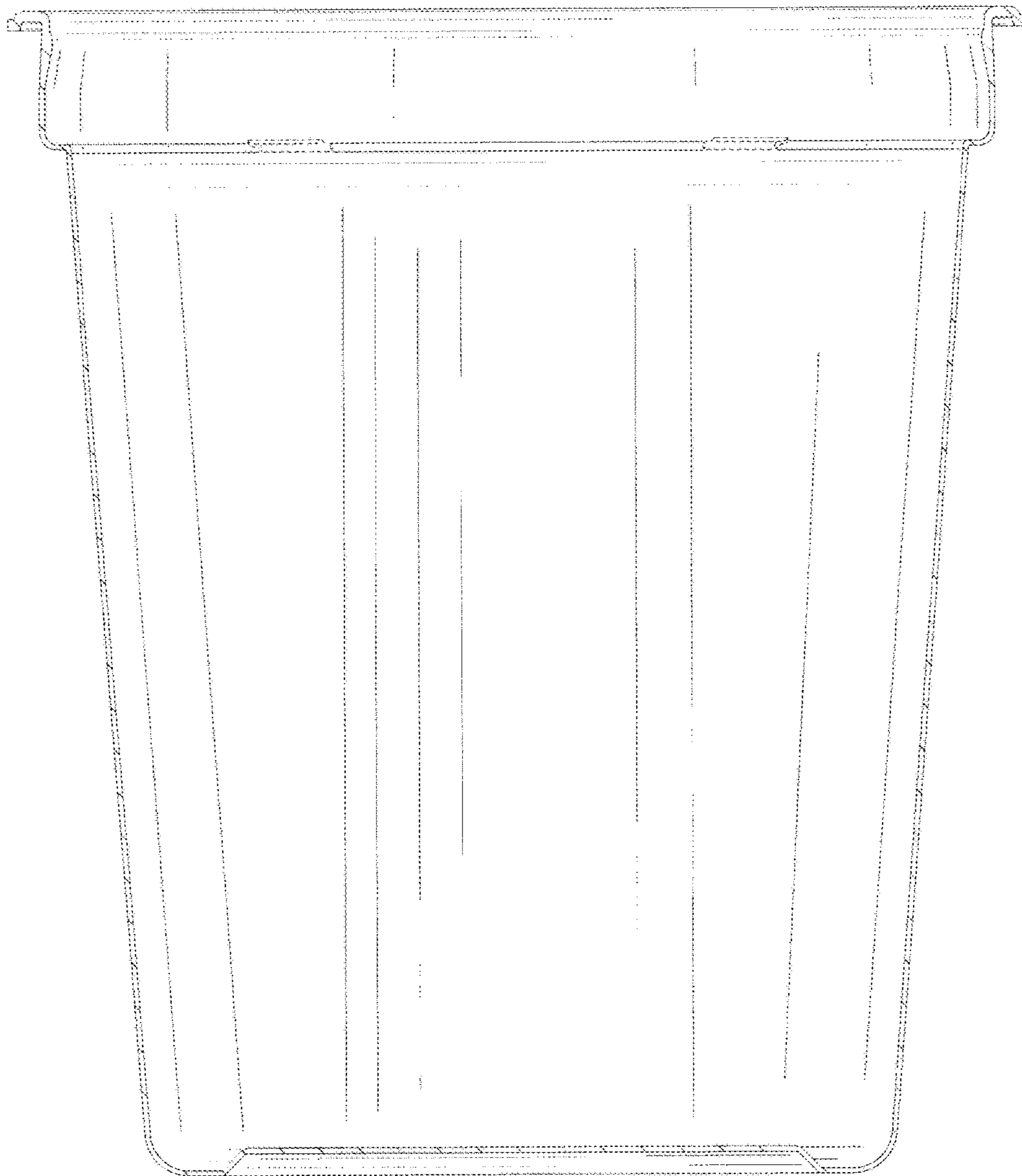
**FIG. 9**



**FIG. 10**



**FIG. 11**



**FIG. 12**