



US00D845074S

(12) **United States Design Patent**
Gluck

(10) **Patent No.:** **US D845,074 S**

(45) **Date of Patent:** **** Apr. 9, 2019**

(54) **CONTAINER**

(71) Applicant: **ROBERT GORDON INDUSTRIES, LTD.**, Lawrence, NY (US)

(72) Inventor: **Robert Gluck**, New York, NY (US)

(**) Term: **15 Years**

(21) Appl. No.: **29/636,668**

(22) Filed: **Feb. 9, 2018**

(51) **LOC (11) Cl.** **07-01**

(52) **U.S. Cl.**
USPC **D7/510; D7/511; D7/523; D7/532;**
D9/503; D9/549; D9/537; D9/551

(58) **Field of Classification Search**

USPC **D7/507, 509, 510, 511, 523, 529, 531,**
D7/532, 533, 536, 392.1, 396.2, 591, 598,
D7/592, 597; D9/500, 502, 503, 516,
D9/530, 504, 539, 435, 532, 533, 534,
D9/531, 444, 501, 453, 537, 549, 557;
220/592.16, 592.17
CPC **A47G 19/2205; A47G 19/22; A47G**
19/2266; B65D 47/066; A45F 3/16; A47J
41/02

See application file for complete search history.

(56) **References Cited**

U.S. PATENT DOCUMENTS

D241,319 S *	9/1976	Hefkey	D9/503
D313,353 S *	1/1991	Hart	D32/53.1
D327,005 S *	6/1992	Beeman	D9/500
D418,358 S *	1/2000	Huang	D7/300
D422,902 S *	4/2000	Kikuchi	D9/504
D426,773 S *	6/2000	Warner	D9/449
D450,223 S *	11/2001	Jørgensen	D7/608
D454,471 S *	3/2002	Goto	D7/608
D481,949 S *	11/2003	Pinnavaia	D9/500
D511,302 S *	11/2005	Lamb	D9/504
D539,095 S *	3/2007	Snyder	D7/597
D543,416 S	5/2007	Gluck		

D544,300 S *	6/2007	Tien	D7/510
D546,625 S	7/2007	Gluck		
D547,122 S	7/2007	Gluck		
D554,433 S	11/2007	Gluck		
D563,222 S *	3/2008	Yamanaka	D9/447
D569,264 S *	5/2008	Yamanaka	D9/691
D576,044 S *	9/2008	Lamb	D9/504
D616,262 S *	5/2010	Lundstrom	D7/679
D621,648 S *	8/2010	Lown	D7/300.1
D621,709 S *	8/2010	Minakuchi	D9/503

(Continued)

OTHER PUBLICATIONS

<https://www.swellbottle.com/swell-introduces-traveler-tumbler/> S'well
Sep. 18, 2017.*

(Continued)

Primary Examiner — Marianne N Pandozzi

Assistant Examiner — Jae Liang

(74) *Attorney, Agent, or Firm* — Greenblum & Bernstein,
P.L.C.

(57)

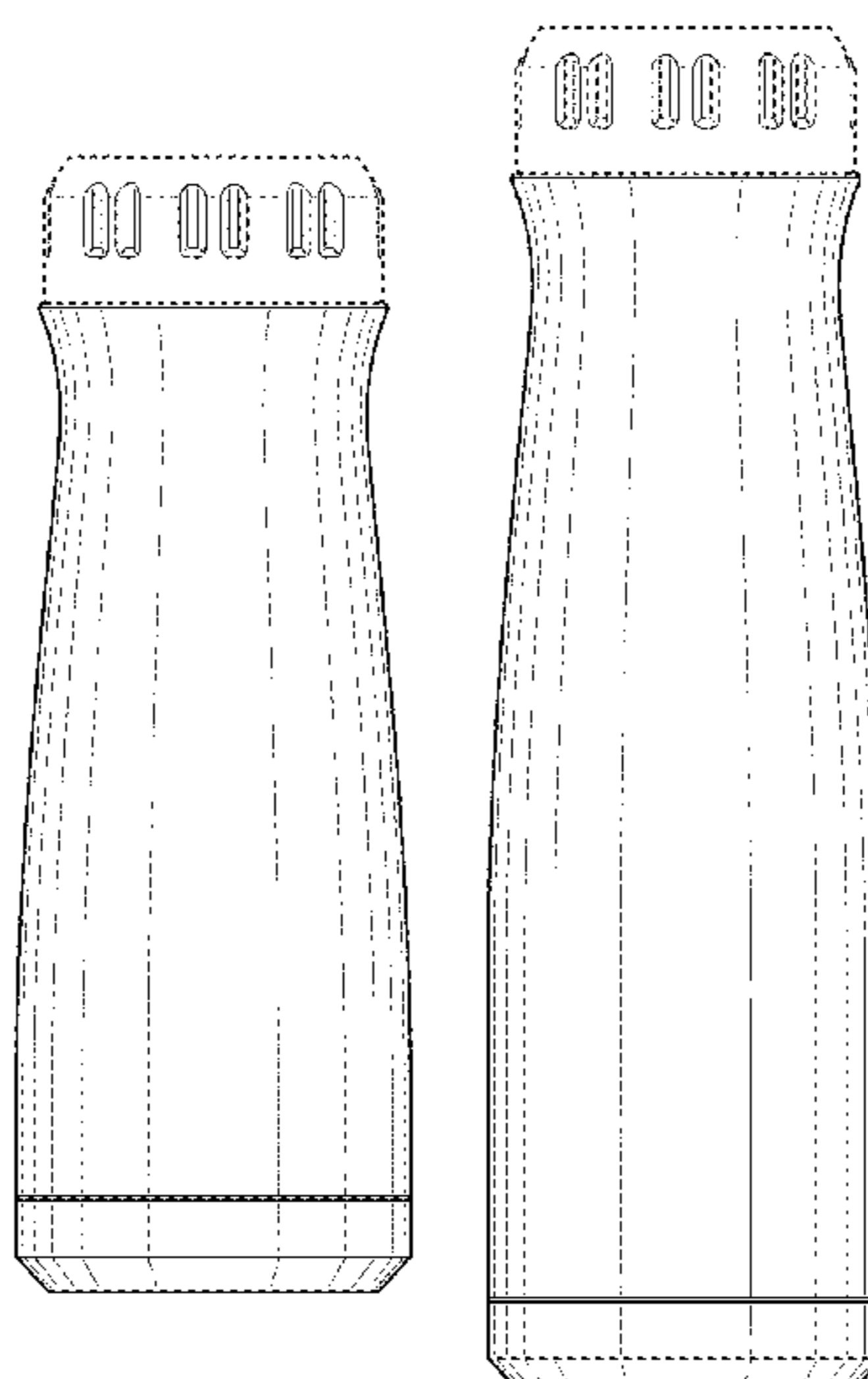
CLAIM

I claim the ornamental design for a container, as shown and described.

DESCRIPTION

FIG. 1 is a side perspective view of a first embodiment of a container showing my new design;
FIG. 2 is a front view thereof; all sides are identical;
FIG. 3 is a top view thereof;
FIG. 4 is a bottom view thereof;
FIG. 5 is a side perspective view of a second embodiment of a container;
FIG. 6 is a front side view thereof; all sides are identical;
FIG. 7 is a top view thereof; and,
FIG. 8 is a bottom view thereof.
The broken lines in the drawings depict portions of the container that form no part of the claimed design.

1 Claim, 6 Drawing Sheets



(56)

References Cited

U.S. PATENT DOCUMENTS

D625,560	S	*	10/2010	Olson	D7/300.1
D647,806	S	*	11/2011	Toh	D9/688
D653,492	S	*	2/2012	Enghard	D7/300.1
D656,840	S	*	4/2012	Tacconi	D9/443
D660,005	S	*	5/2012	Prague	D4/114
D672,655	S	*	12/2012	Huffman	D9/500
D702,131	S	*	4/2014	Handy	D9/691
D712,267	S	*	9/2014	Handy	D9/500
D714,644	S	*	10/2014	Wagner	D9/500
D723,922	S	*	3/2015	Albuquerque	D9/500
D745,398	S	*	12/2015	Cotton	D9/500
D747,936	S	*	1/2016	Chitayat	D7/510
D762,476	S	*	8/2016	Velmer	D9/445
D776,483	S	*	1/2017	Chitayat	D7/507
D781,106	S	*	3/2017	Boroski	D7/511
D789,148	S	*	6/2017	Hornung	D7/507
D798,719	S	*	10/2017	Carpenter	D9/503
D801,179	S	*	10/2017	McGreevy	D9/500
D807,179	S	*	1/2018	Herbst	D9/500
D811,889	S	*	3/2018	Cheng	D9/540
D813,681	S	*	3/2018	Burns	D9/549
D817,095	S		5/2018	Kauss		
D817,096	S		5/2018	Kauss		
D818,312	S		5/2018	Burns		
D821,819	S	*	7/2018	Eyal	D7/530
D822,439	S	*	7/2018	Spivey	D7/510

OTHER PUBLICATIONS

Link dated Sep. 2017 <https://www.swellbottle.com/stories/swell-introduces-traveler-tumbler/>.

* cited by examiner

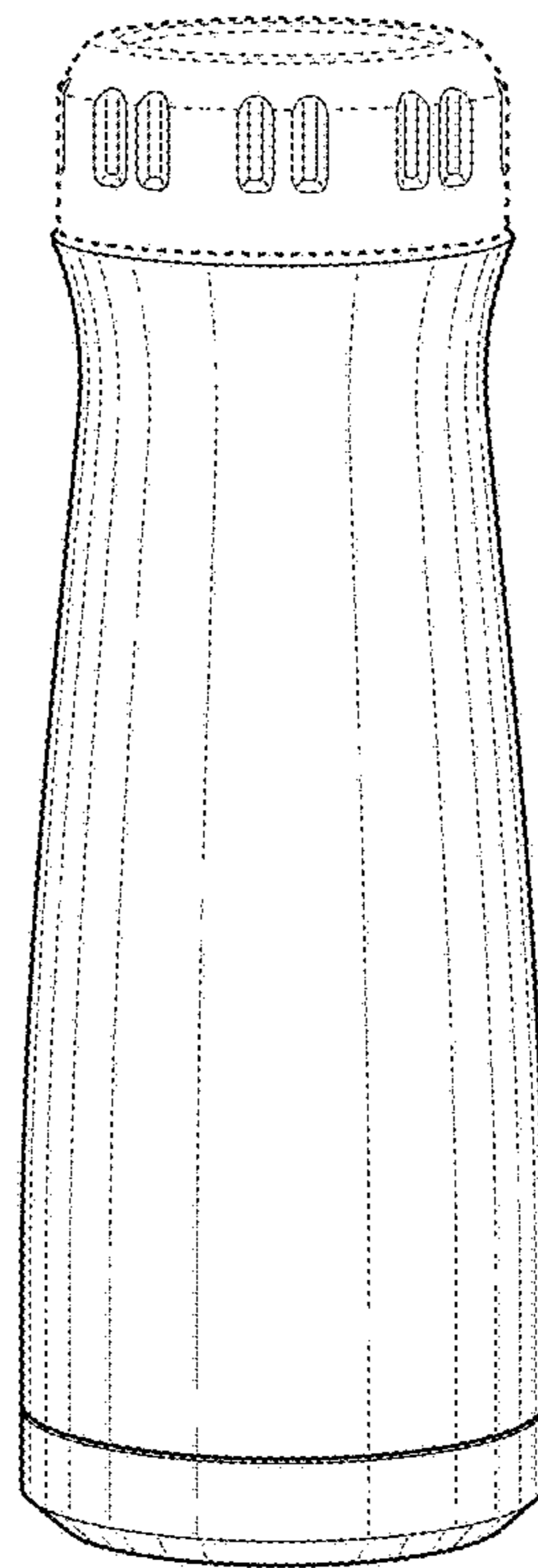


FIG. 1

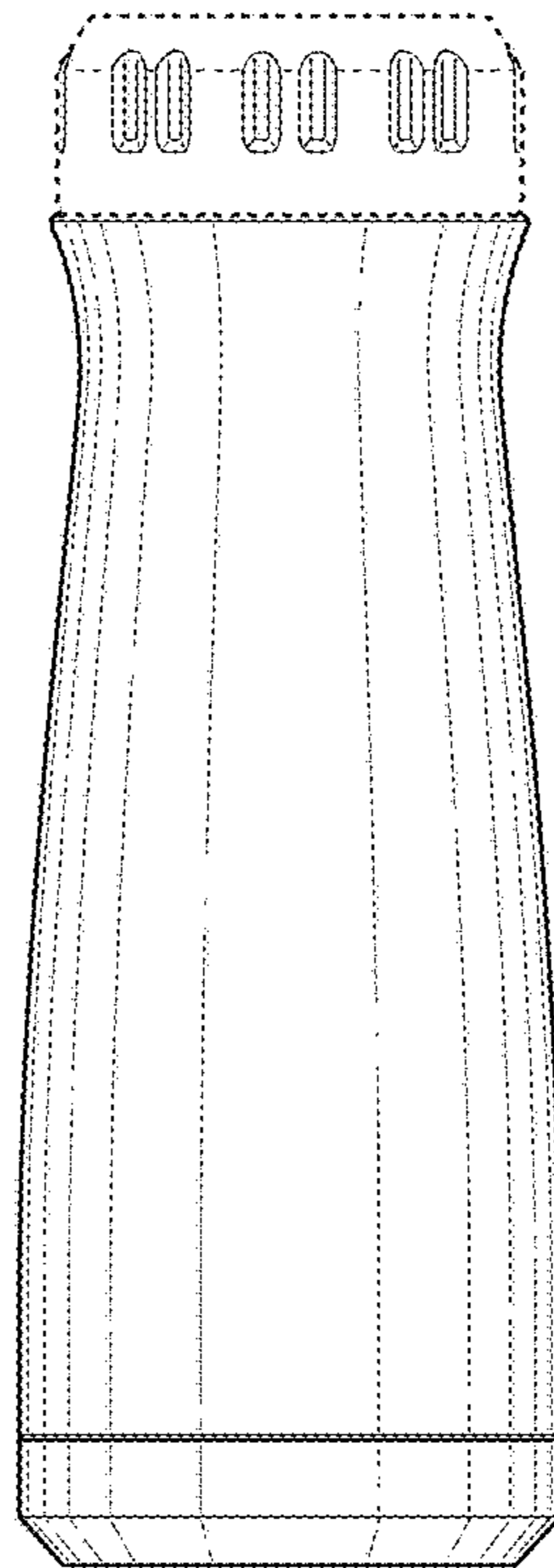


FIG. 2

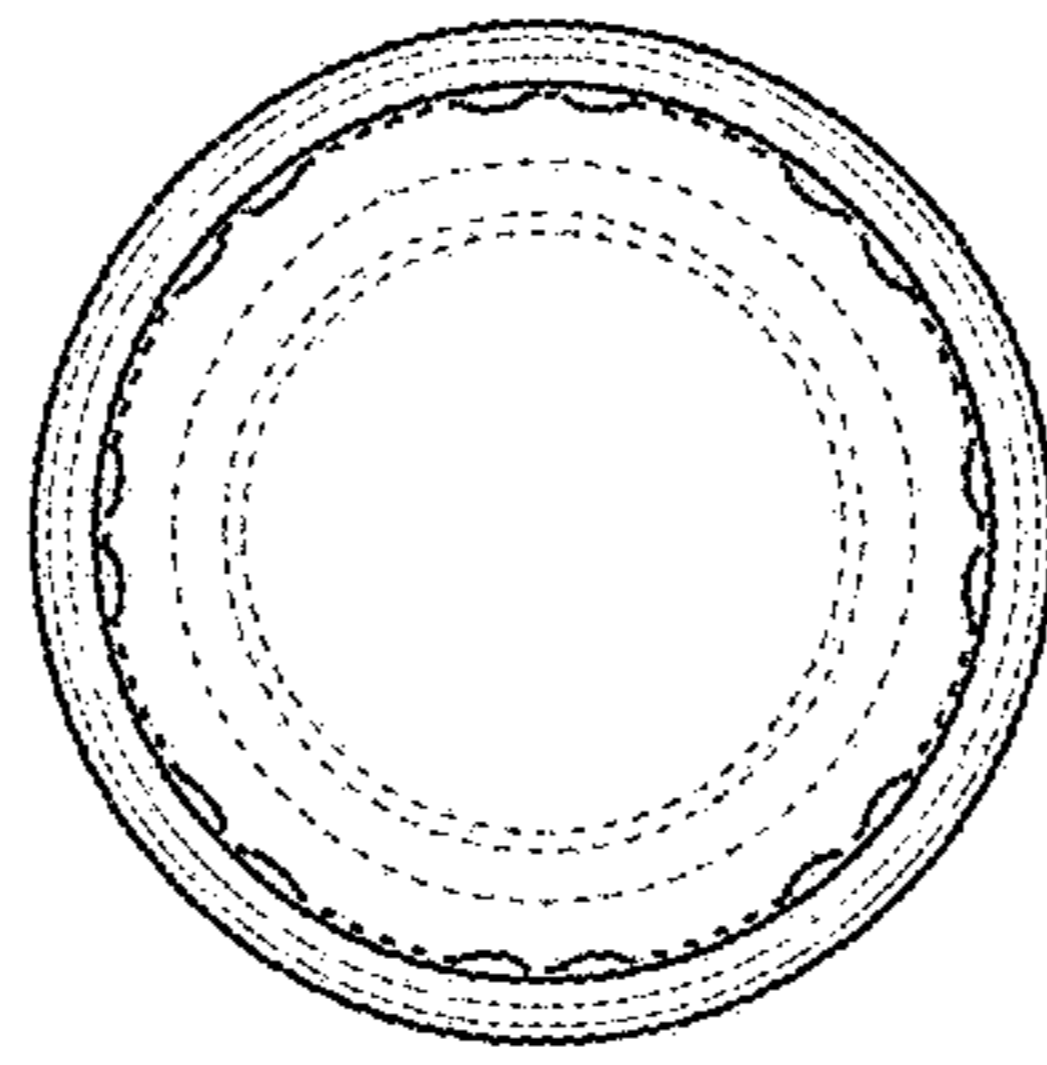


FIG. 3

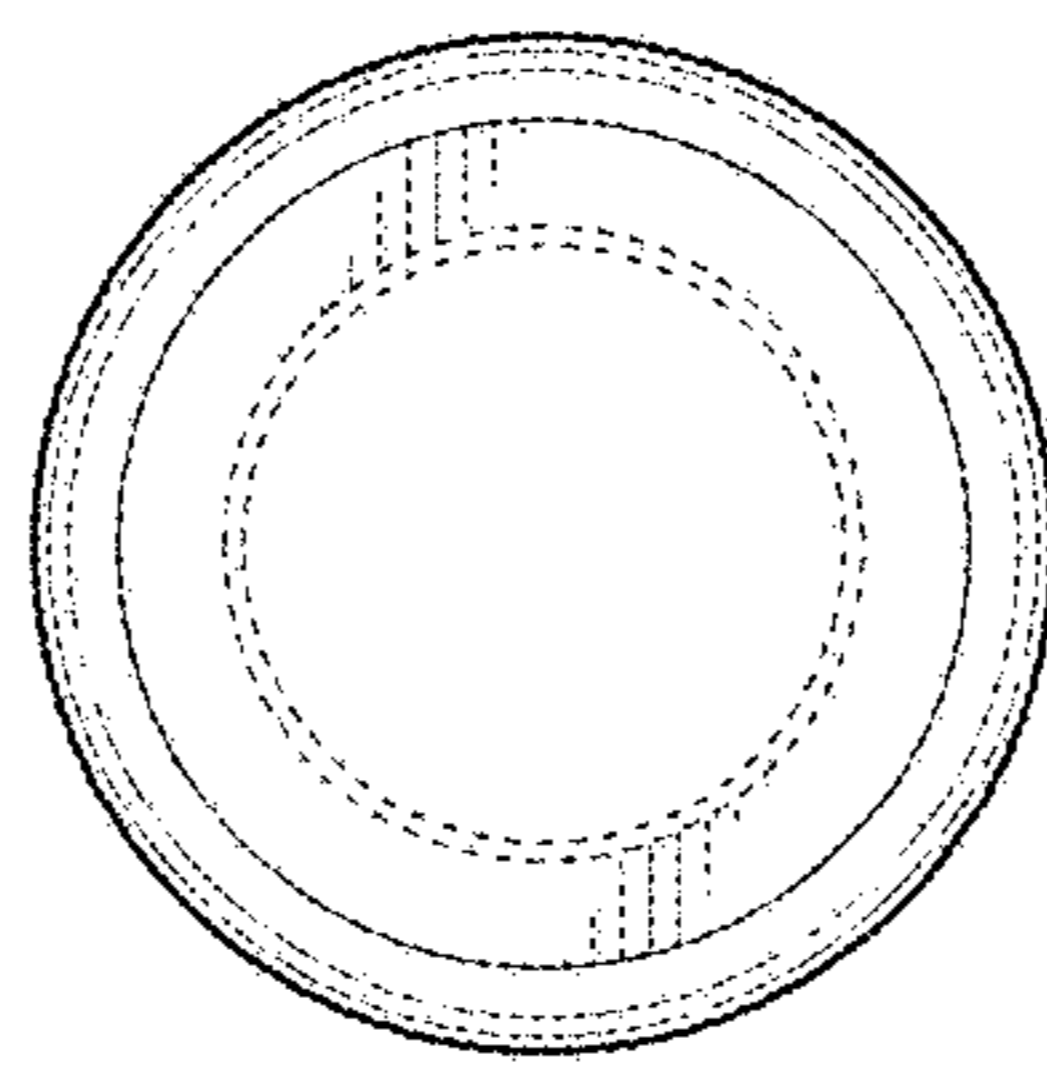


FIG. 4

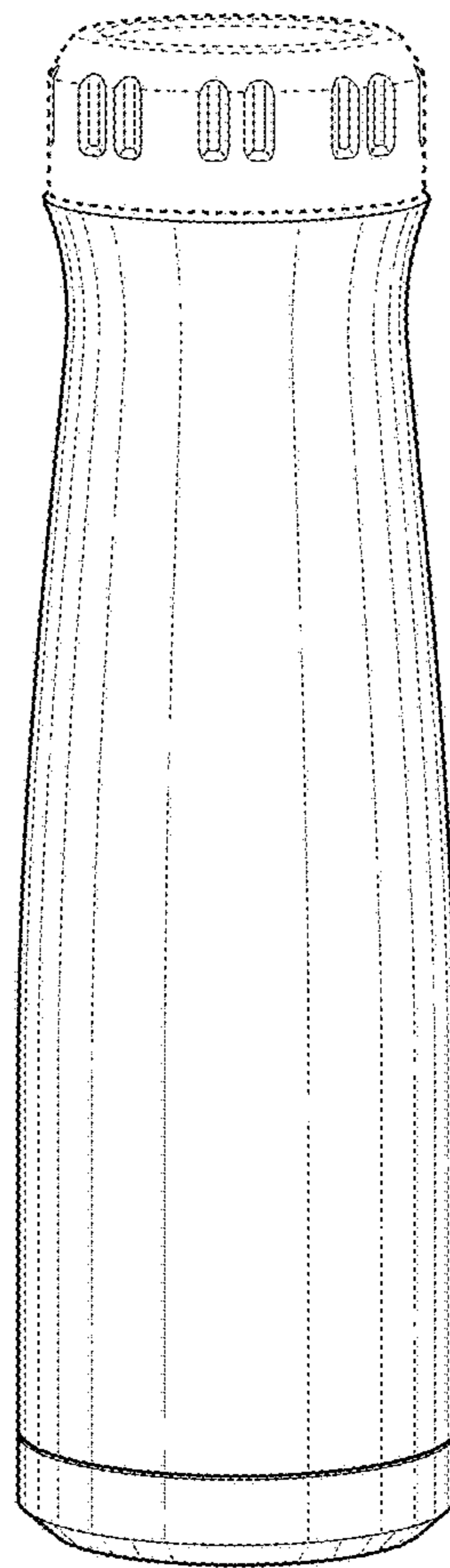


FIG. 5

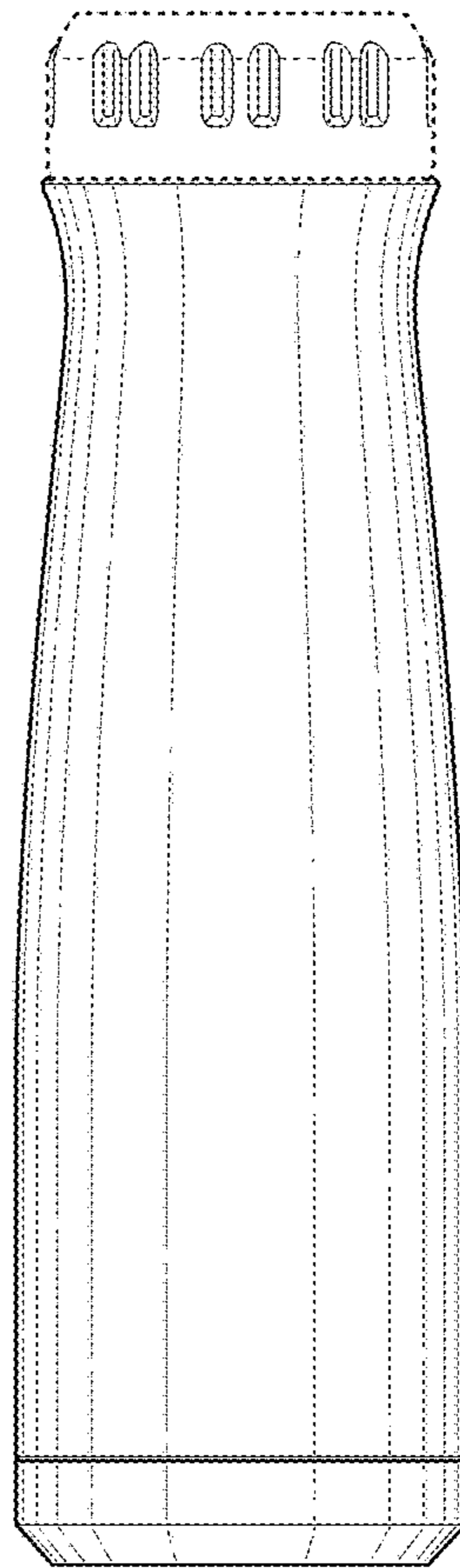


FIG. 6

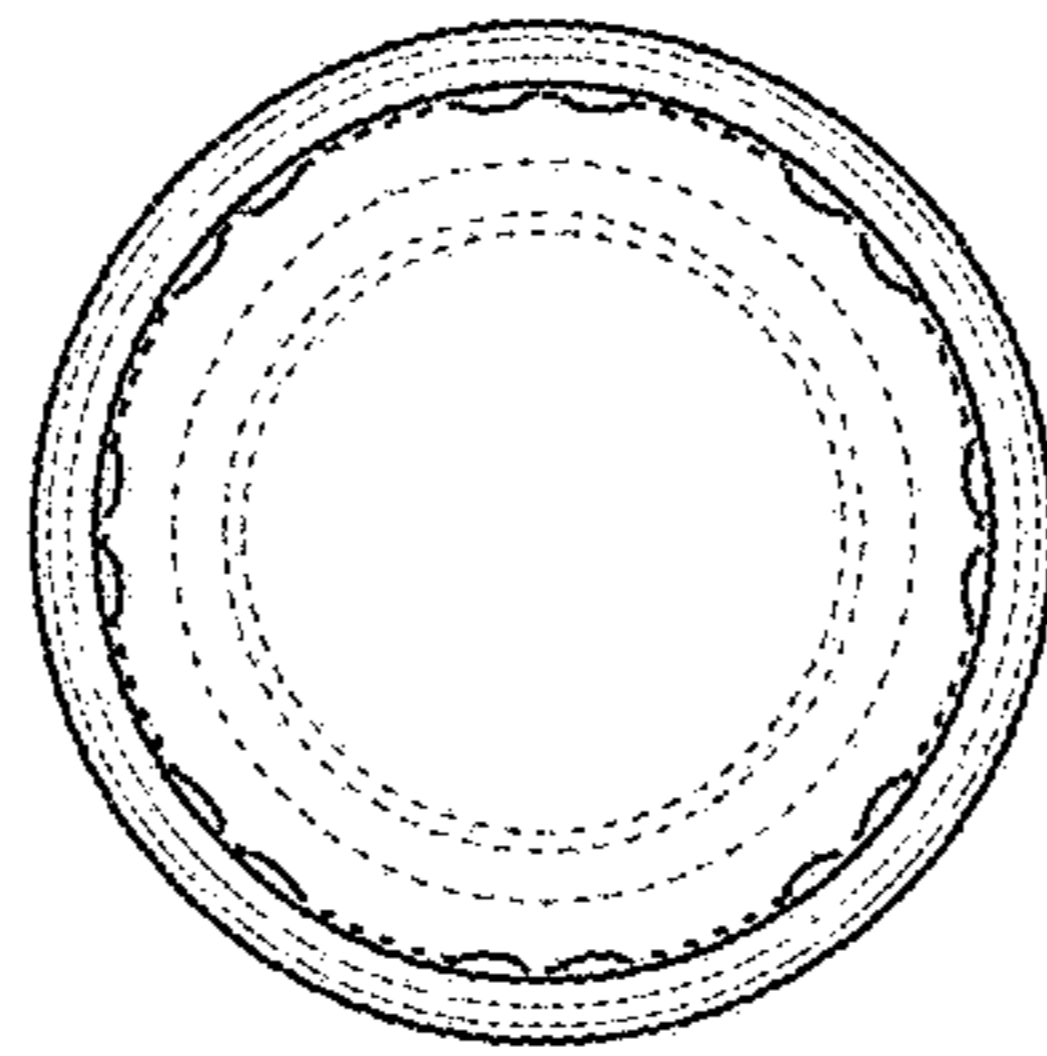


FIG. 7

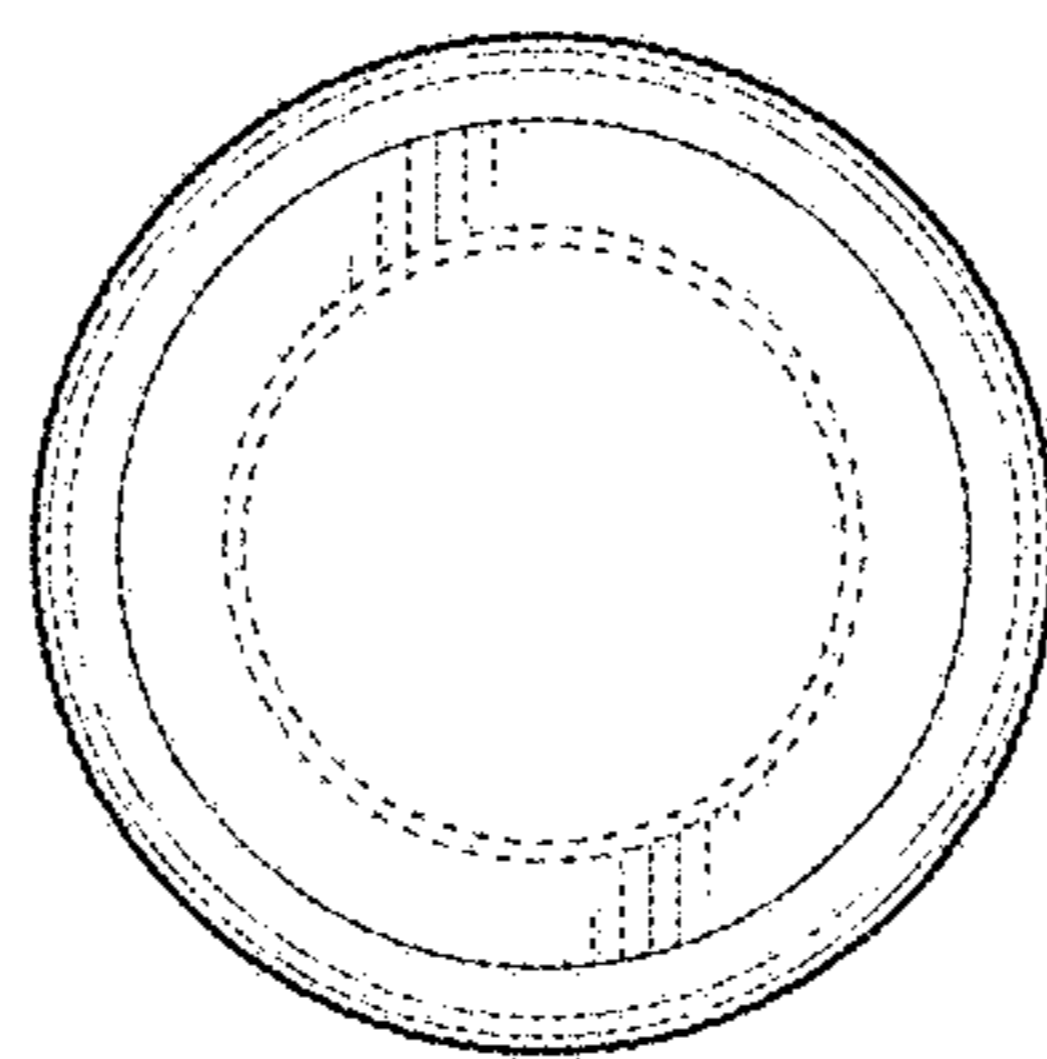


FIG. 8